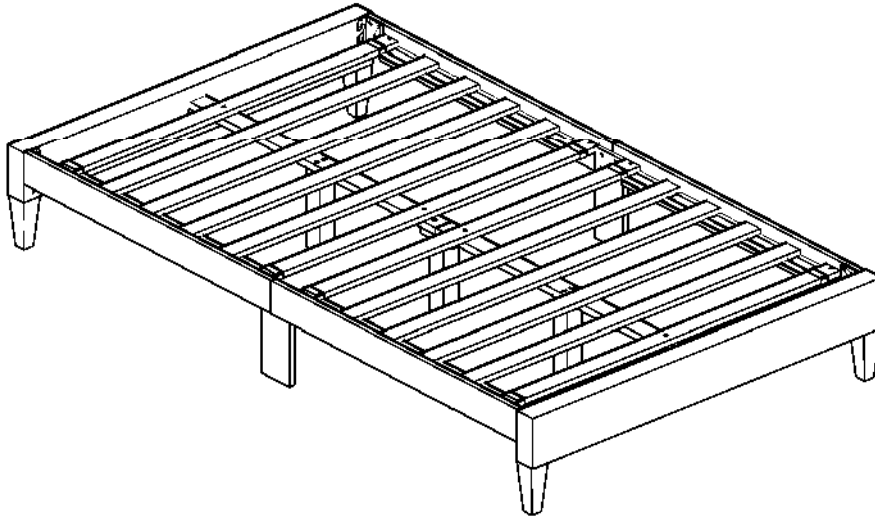









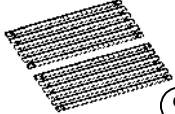


ASSEMBLY INSTRUCTIONS




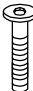
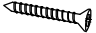
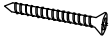
MODEL : BD547-FS
ITEM CODE : 2508



COMPONENT

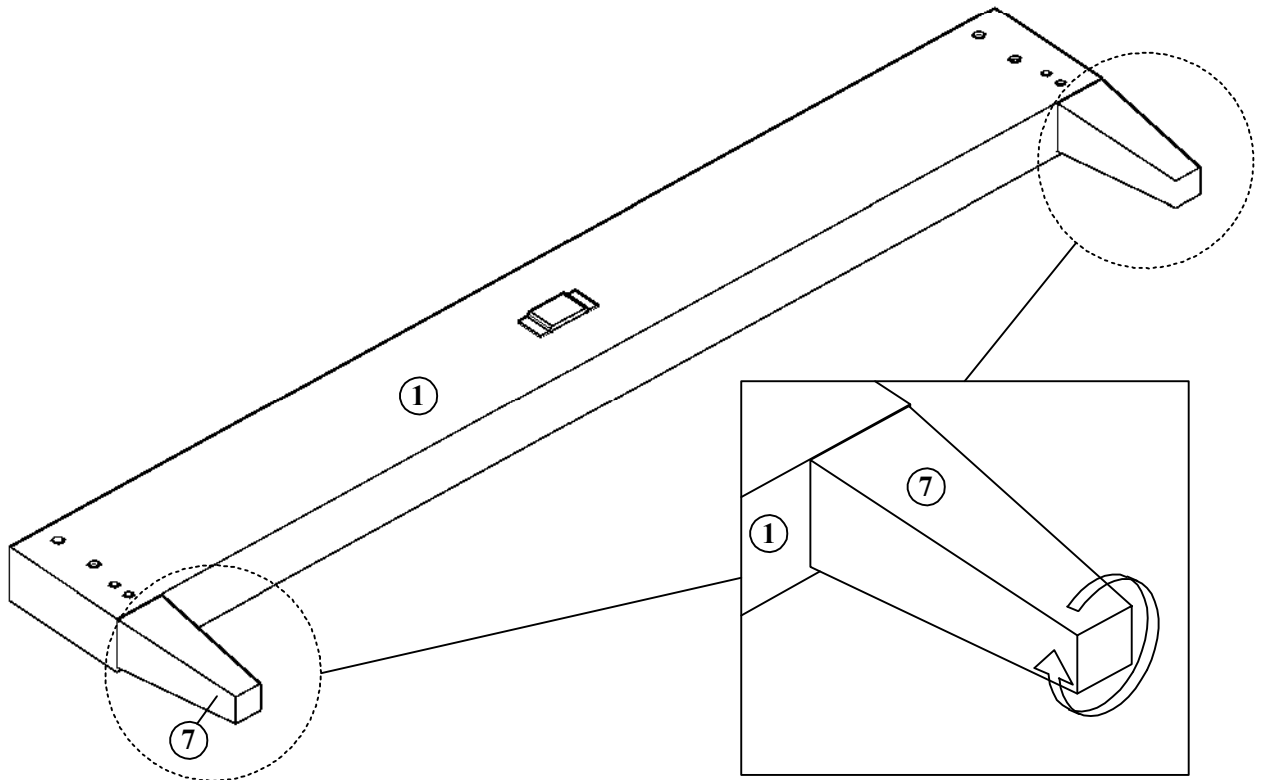
HB/FB - 2 pcs.  ①	Side Rail 1 - 2 pcs.  ②A	Side Rail 2 - 2 pcs.  ②B	Center Rail - 2 pcs.  ③	Center Rail Connect - 1 pc.  ④	Short Center Leg - 1 pc.  ⑤	Long Center Leg - 2 pcs.  ⑥	Bed Leg - 4 pcs.  ⑦
SR Leg- 2 pcs.  ⑧	Slat - 12 pcs. (2 set)  ⑨						

HARDWARE

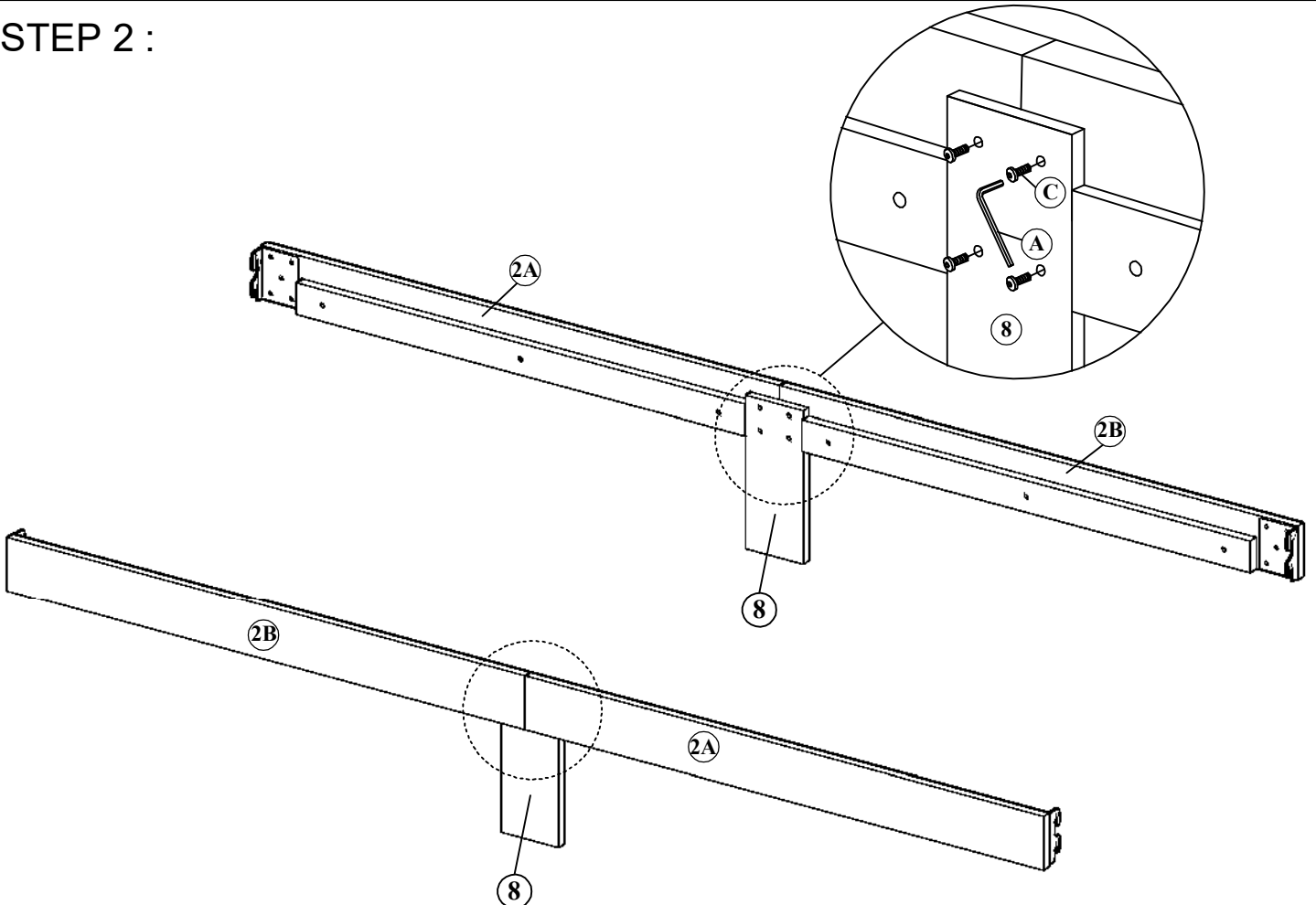
Allen Key M4 - 1 pc.  A	Allen Key M5 - 1 pc.  B	JCBC Bolt M6 x 30mm - 10 pcs.  C	JCBC Bolt M6 x 40mm - 6 pcs.  D	Wood Screw M4 x 20mm - 2 pcs.  E	Wood Screw M4 x 25mm - 12 pcs.  F
--	---	---	--	---	--

ASSEMBLY INSTRUCTIONS

STEP 1 :

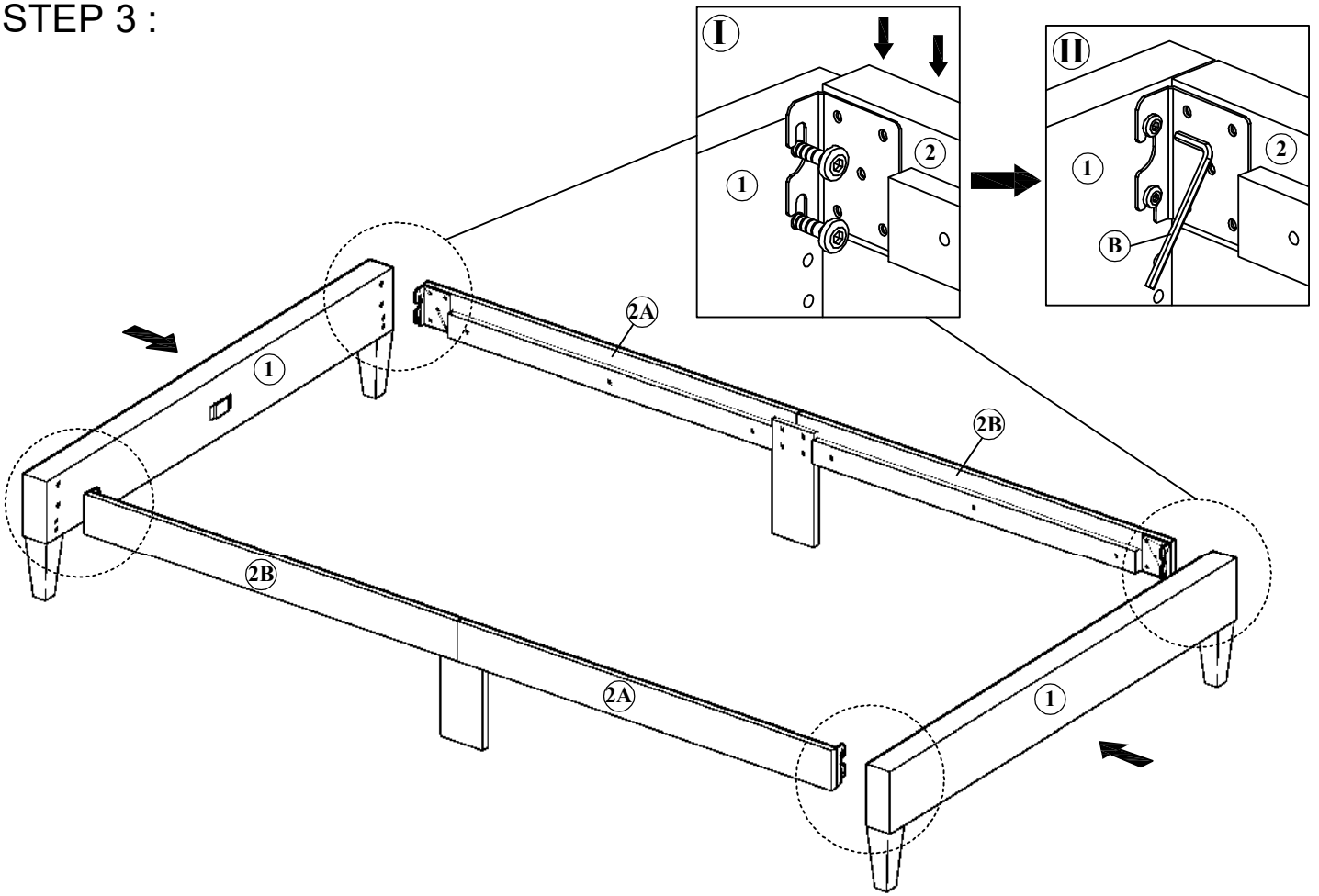


STEP 2 :

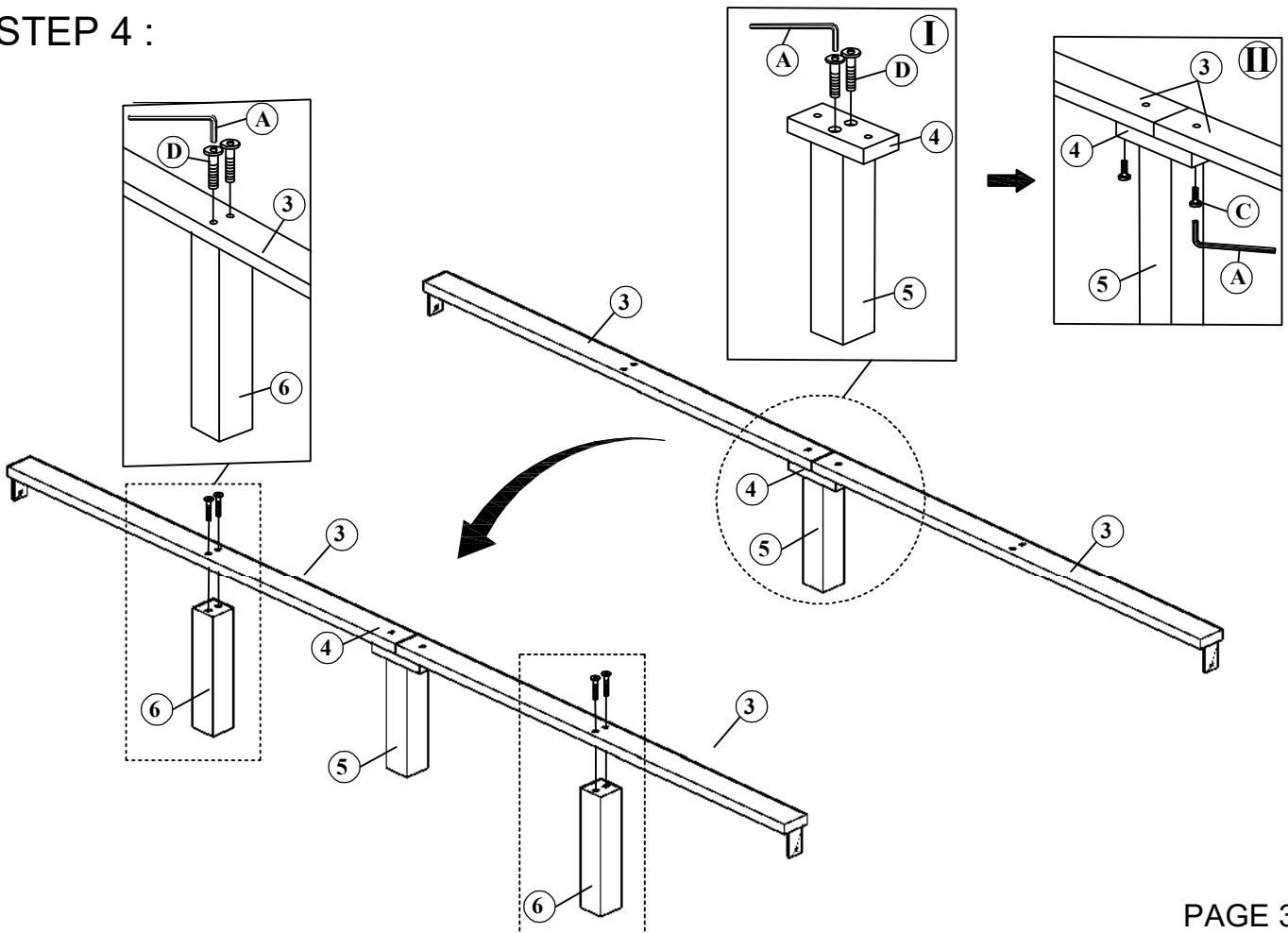


ASSEMBLY INSTRUCTIONS

STEP 3 :

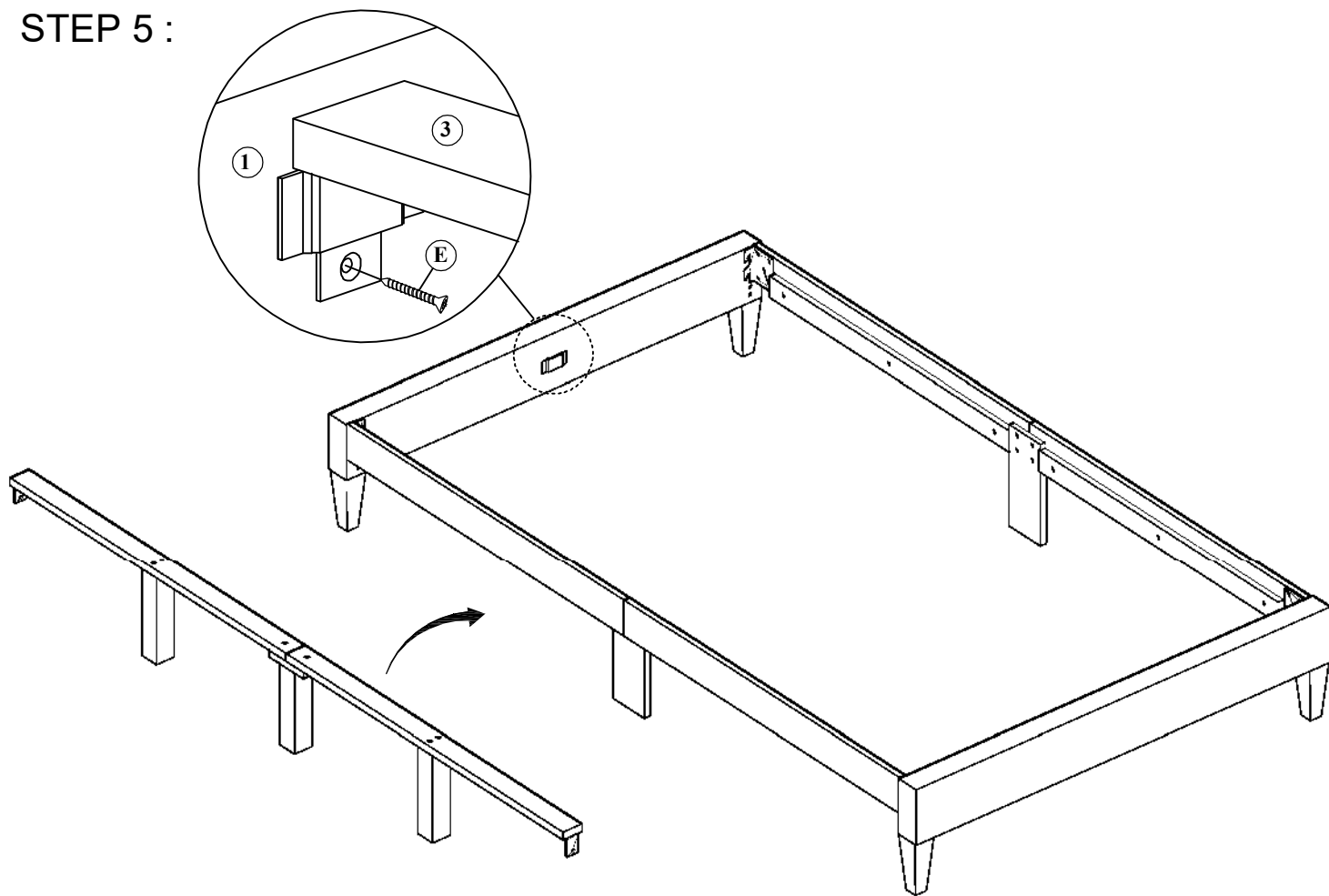


STEP 4 :

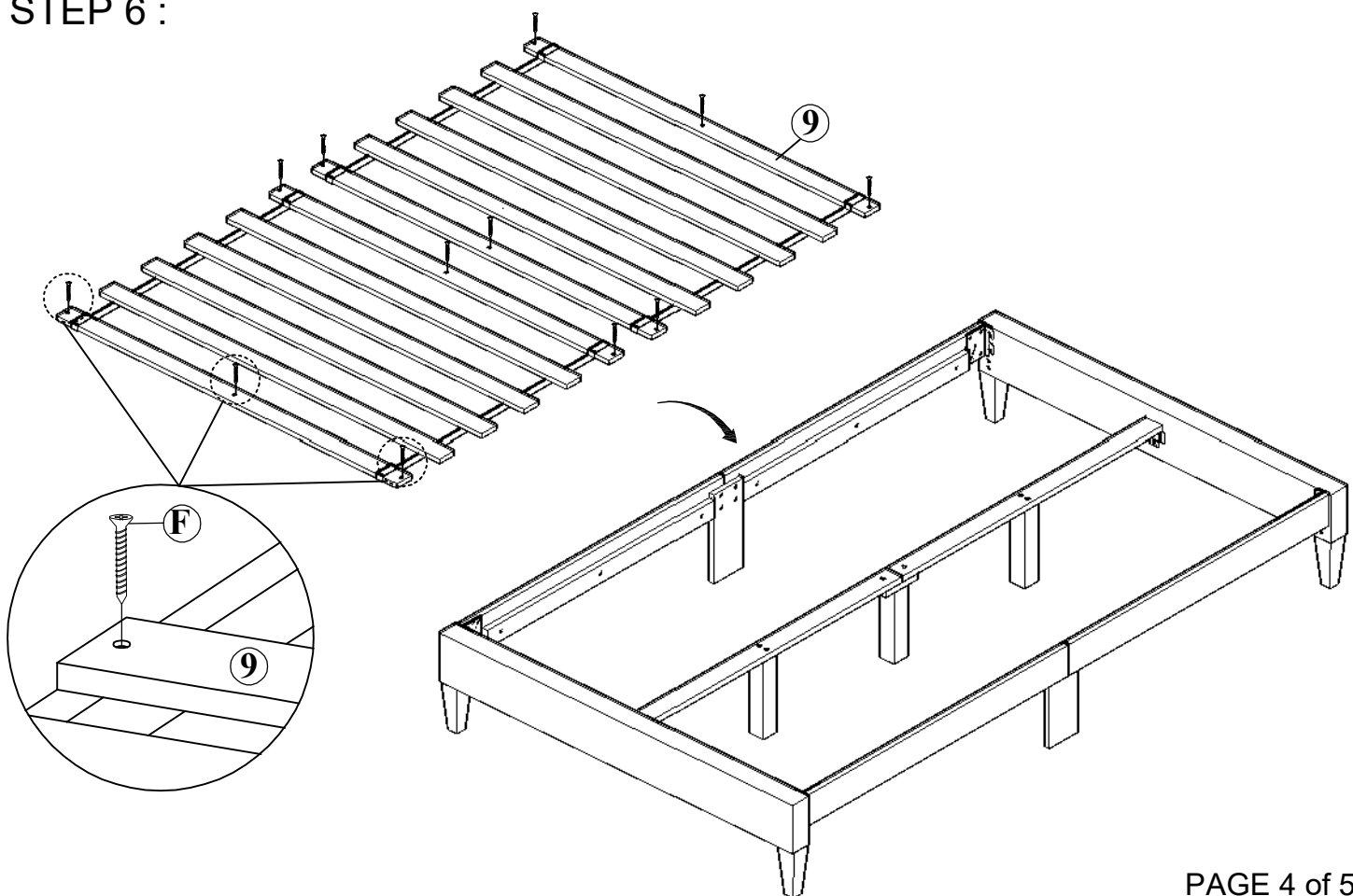


ASSEMBLY INSTRUCTIONS

STEP 5 :



STEP 6 :



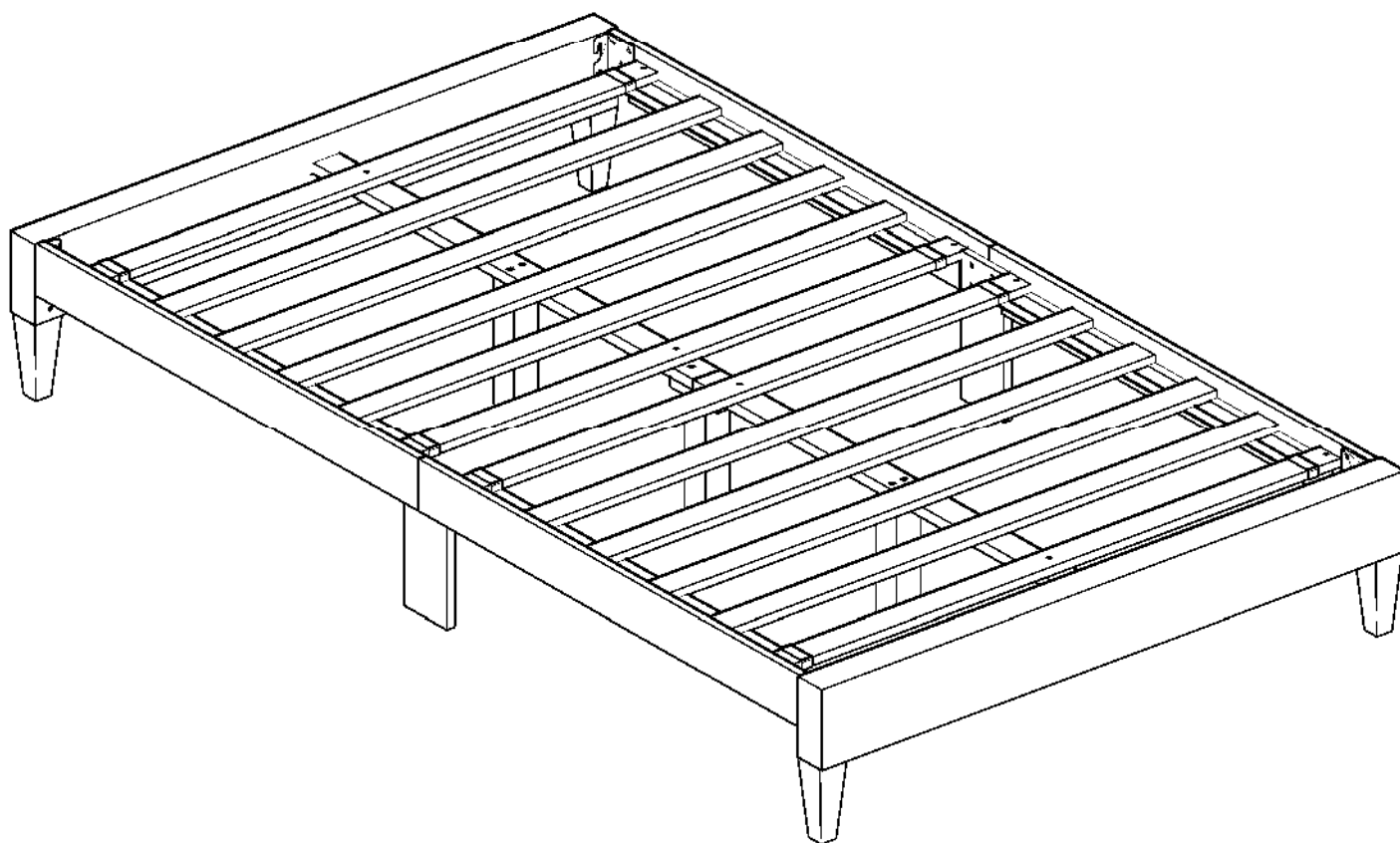
ASSEMBLY INSTRUCTIONS

COMPLETE VIEW

IMPORTANT

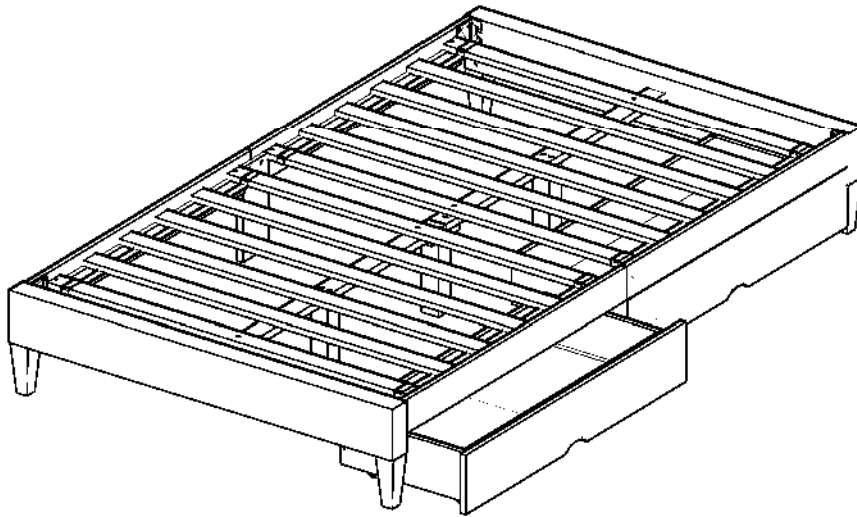
Please lift up the bed to move
with 2 or more people.

DO NOT DRAG THE BED!

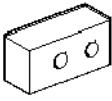






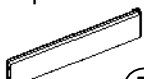


ASSEMBLY INSTRUCTIONS








MODEL : BD547-FS
ITEM CODE : 2514



COMPONENT

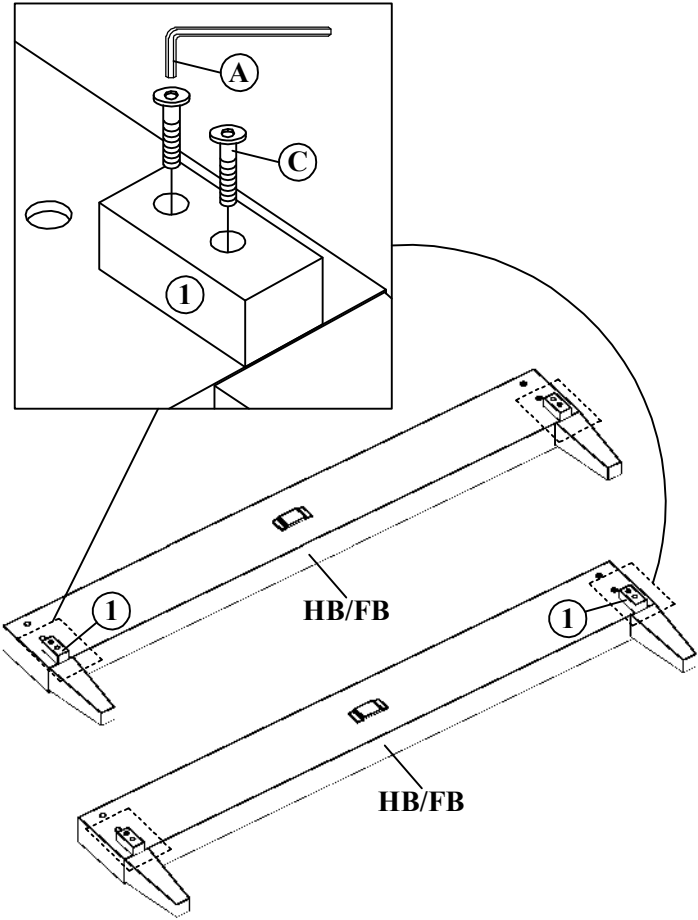
Drawer Block- 4 pcs.  ①	Drawer Head (Left)- 1 pc.  ②A	Drawer Head (Right)- 1 pc.  ②B	Drawer (Front) - 2 pcs.  ③	Drawer (Back) - 2 pcs.  ④	Drawer (L&R) - 4 pcs.  ⑤	Drawer Plate - 2 pcs.  ⑥	Drawer (C.Support) - 6 pcs.  ⑦
---	--	---	---	--	--	---	---

HARDWARE (2 Drawer)

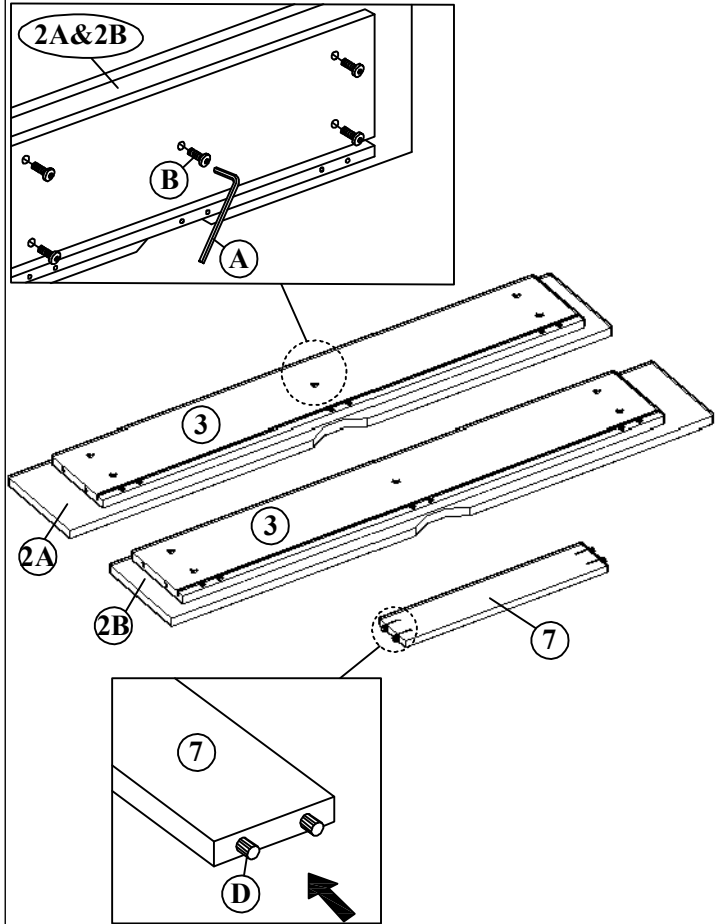
Allen Key M4 - 1 pc.  A	JCBC Bolt M6 x 30mm - 10 pcs.  B	JCBC Bolt M6 x 35mm - 8 pcs.  C	Wood Dowel M6 x 30mm - 24 pcs.  D	Handle Screw 30mm- 16 pcs.  E	Wood Screw M3.5 x 16mm - 32 pcs.  F	1010 Hardware Caster - 8 pcs.  G
---	---	--	--	--	--	---

ASSEMBLY INSTRUCTIONS

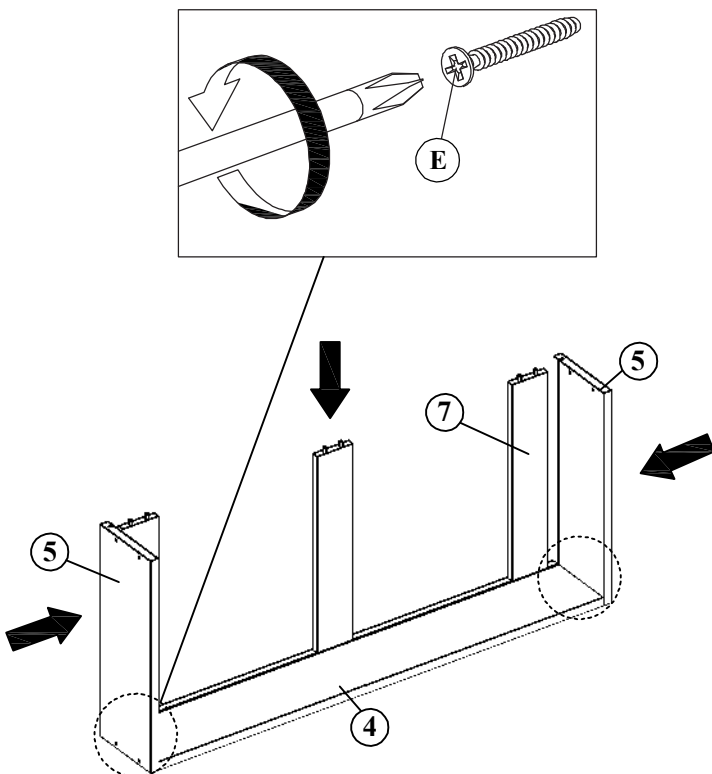
STEP 1 :



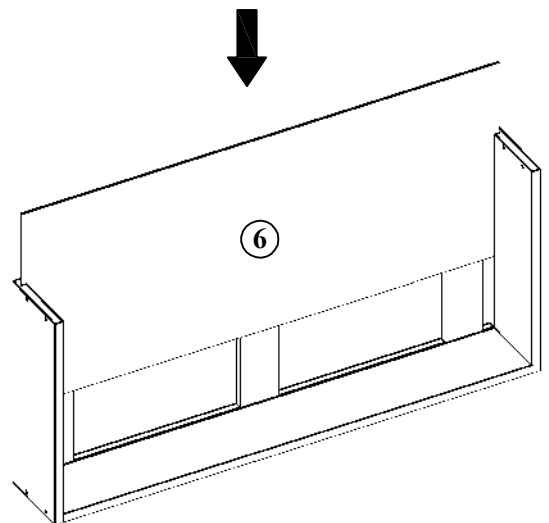
STEP 2 :



STEP 3 :

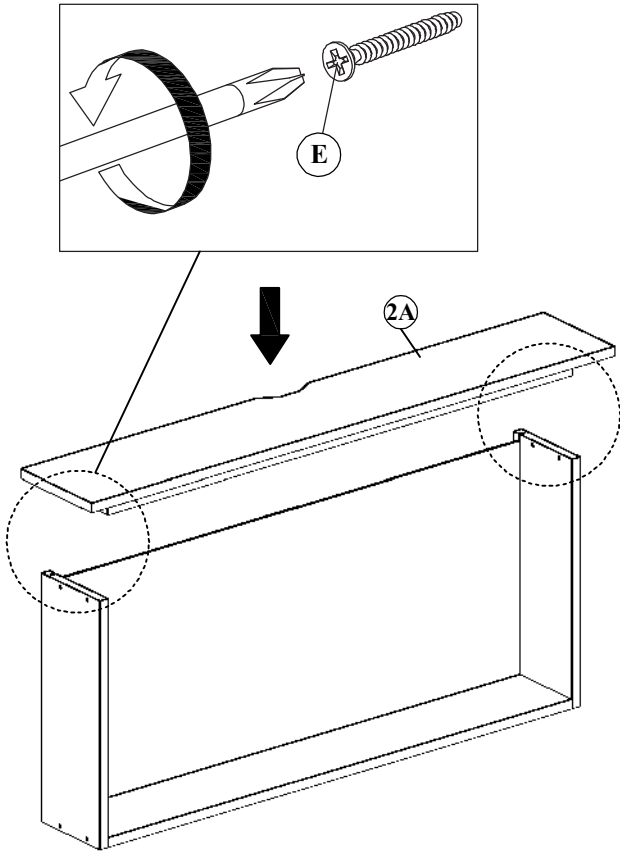


STEP 4 :

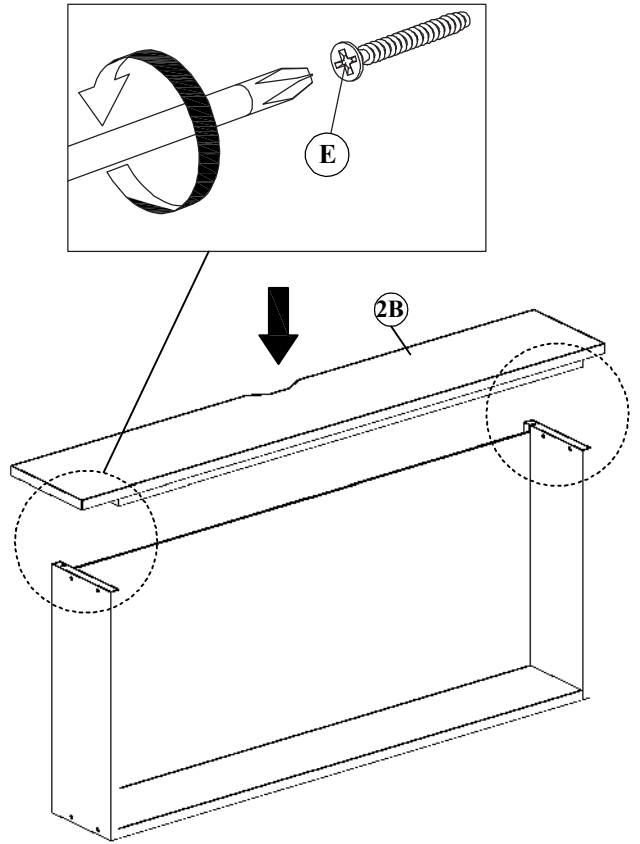


ASSEMBLY INSTRUCTIONS

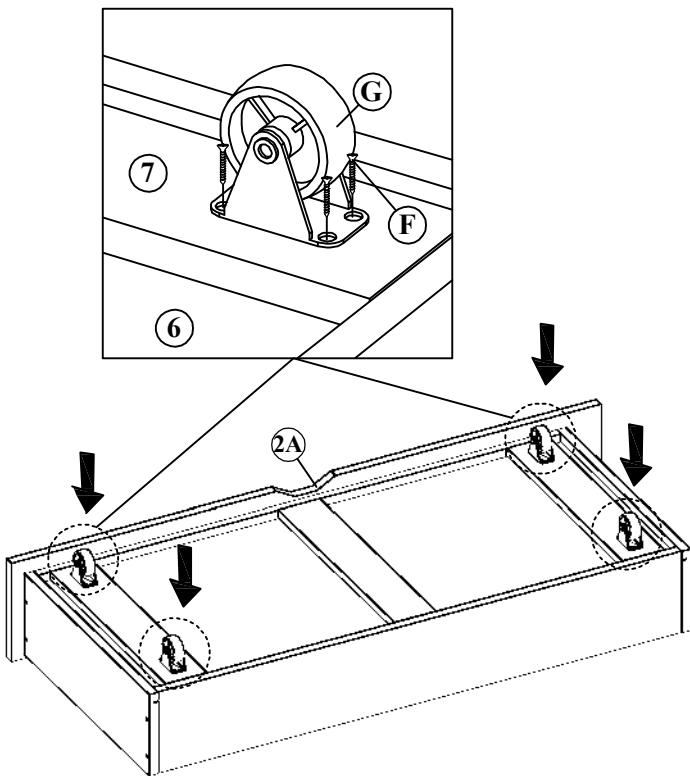
STEP 5 :



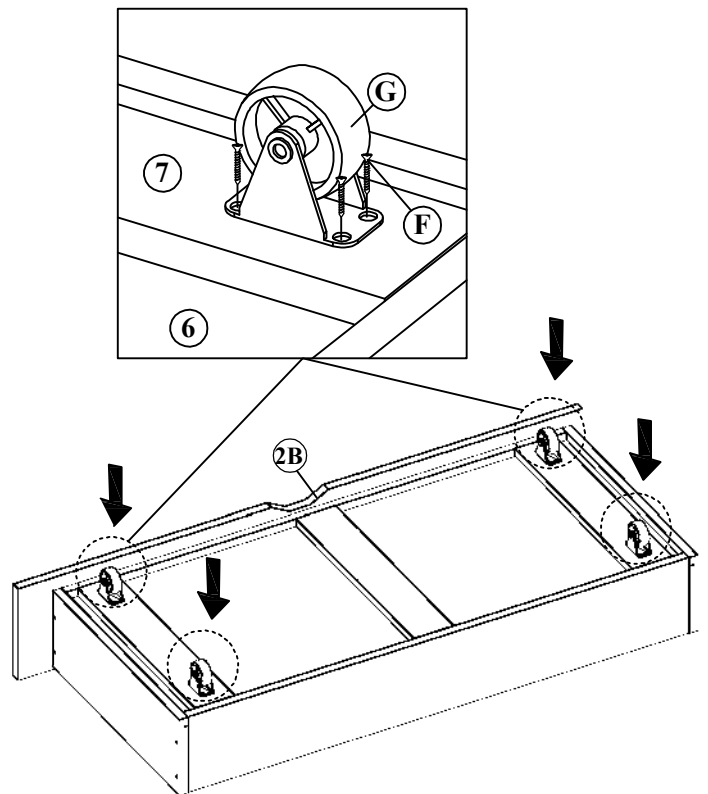
STEP 6 :



STEP 7 :



STEP 8 :

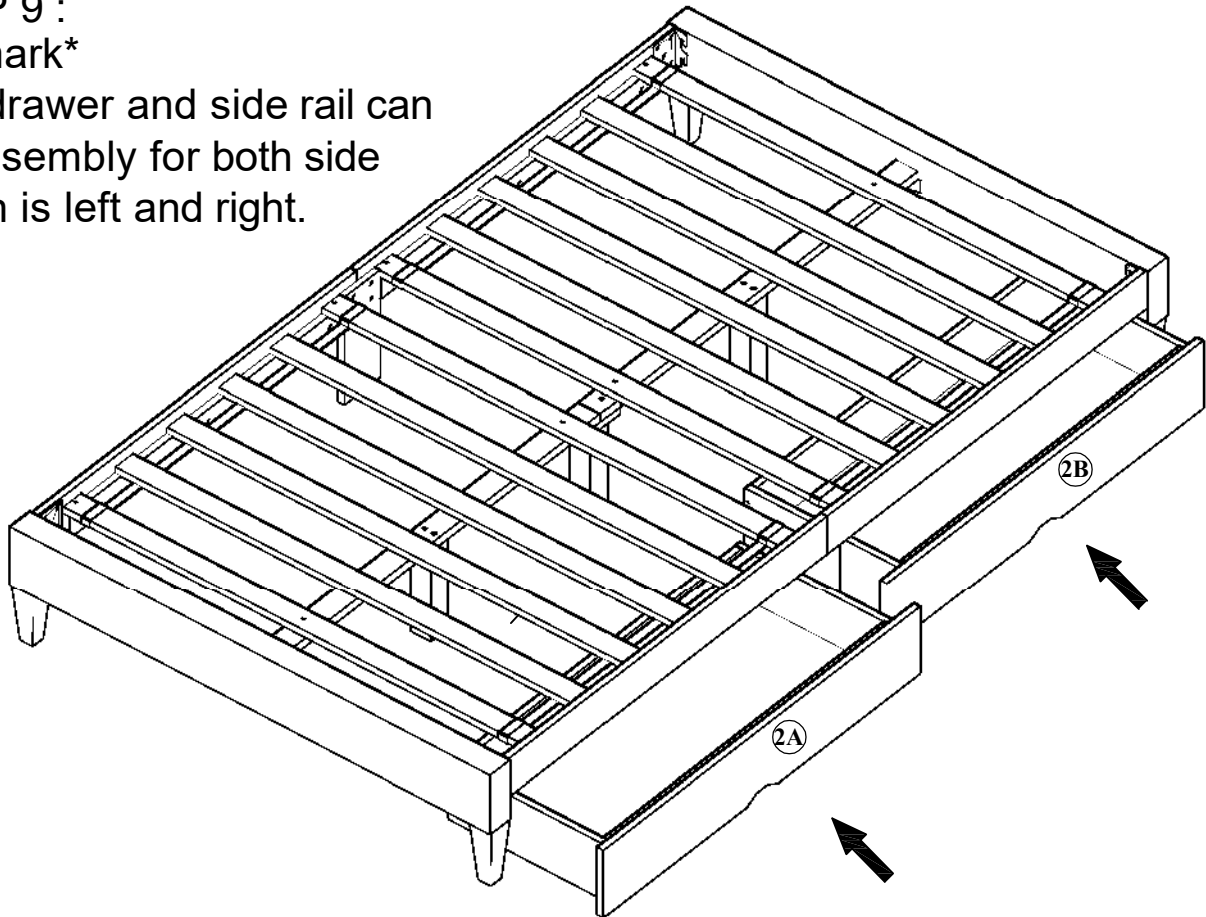


ASSEMBLY INSTRUCTIONS

STEP 9 :

Remark

The drawer and side rail can be assembly for both side which is left and right.



COMPLETE VIEW

IMPORTANT

Please lift up the bed to move with 2 or more people.

DO NOT DRAG THE BED!

