

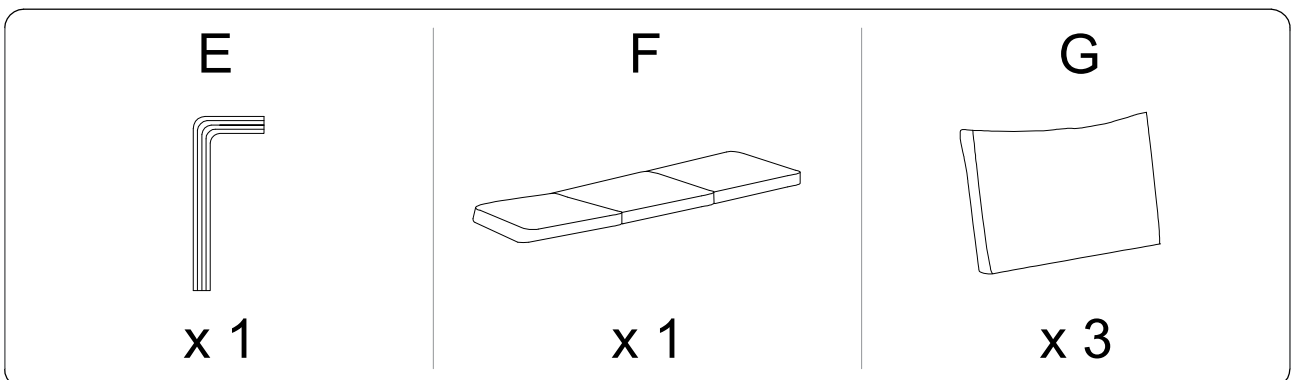
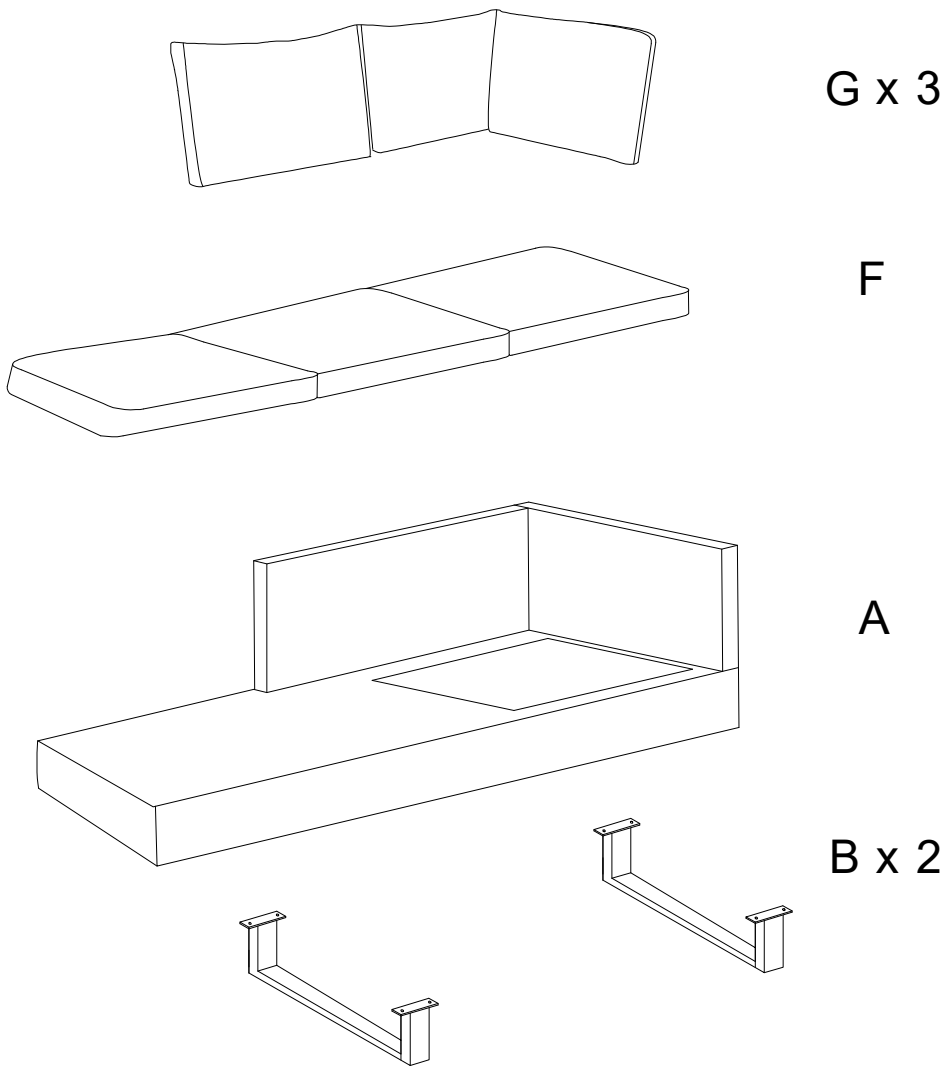
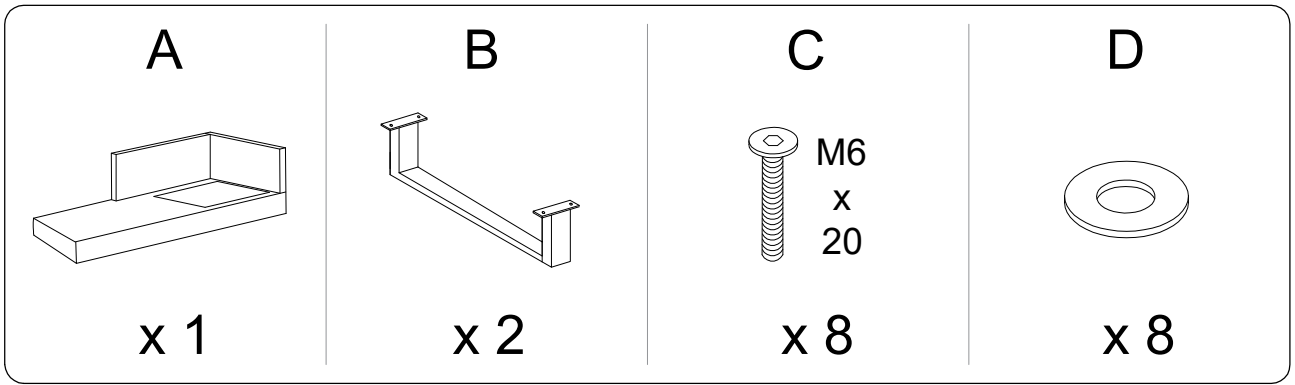
Assembly instructions for step 1/9:

- Warning 1:** Do not use a power drill. Use the provided L-shaped corner bracket.
- Warning 2:** Do not use a power drill. Use the provided rectangular block.

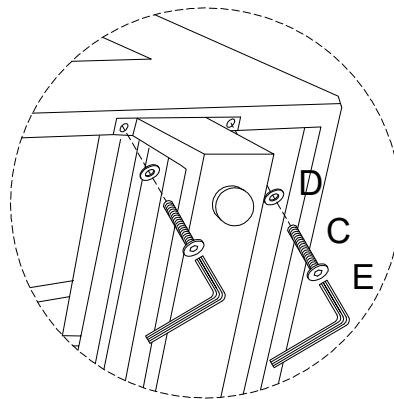
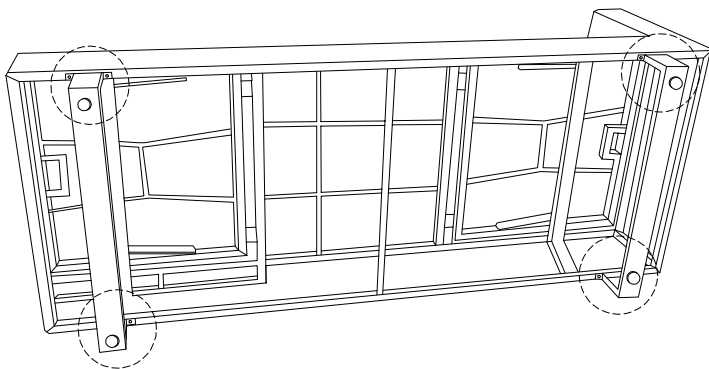
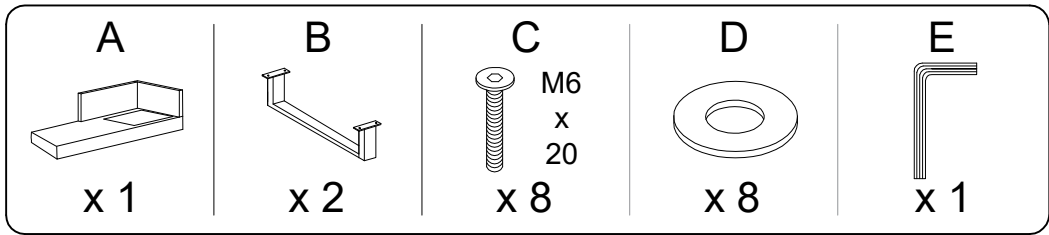
Estimated assembly time: 40 minutes.

Number of people required: 2.

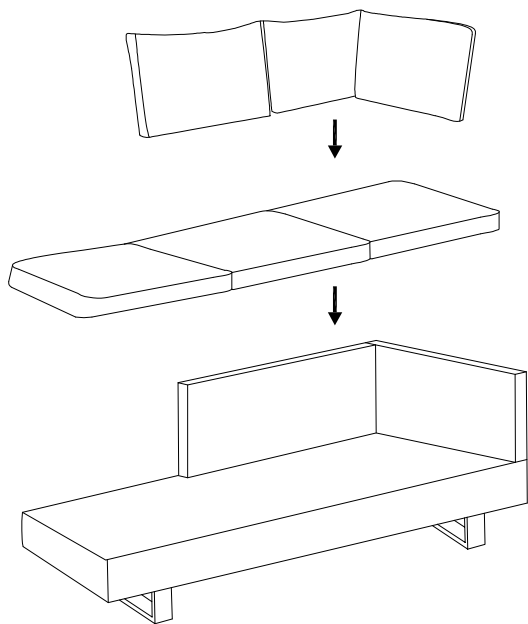
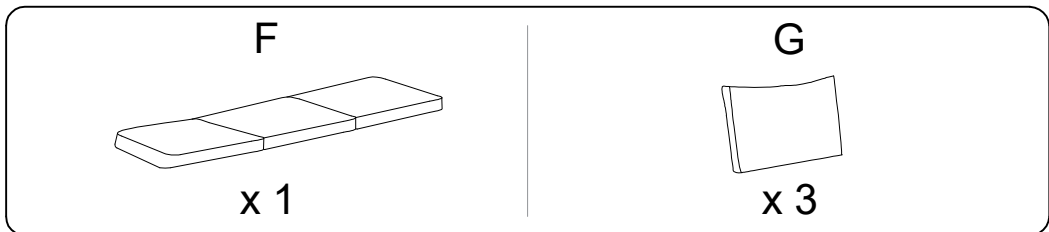
A



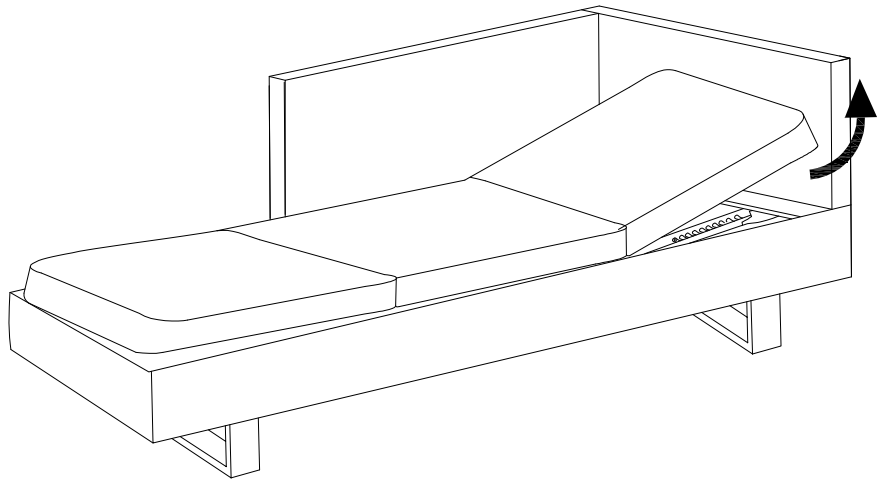
1



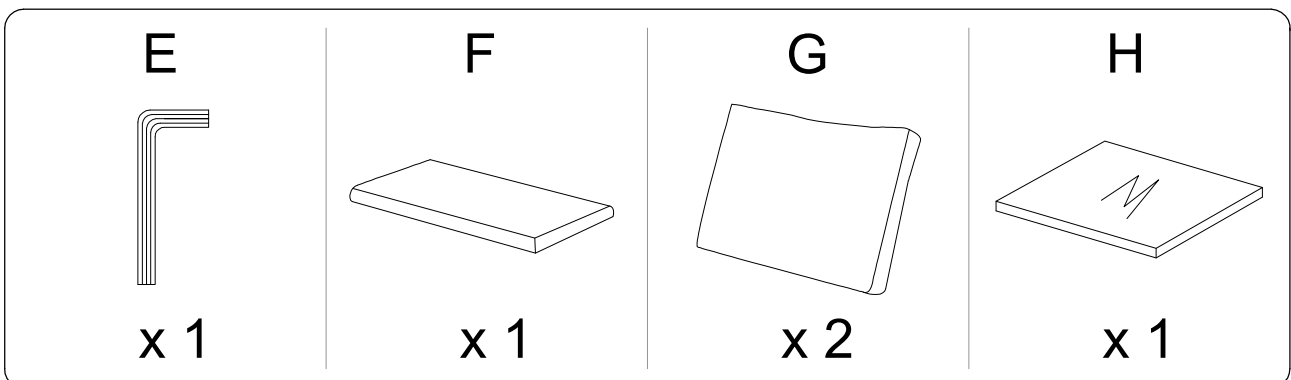
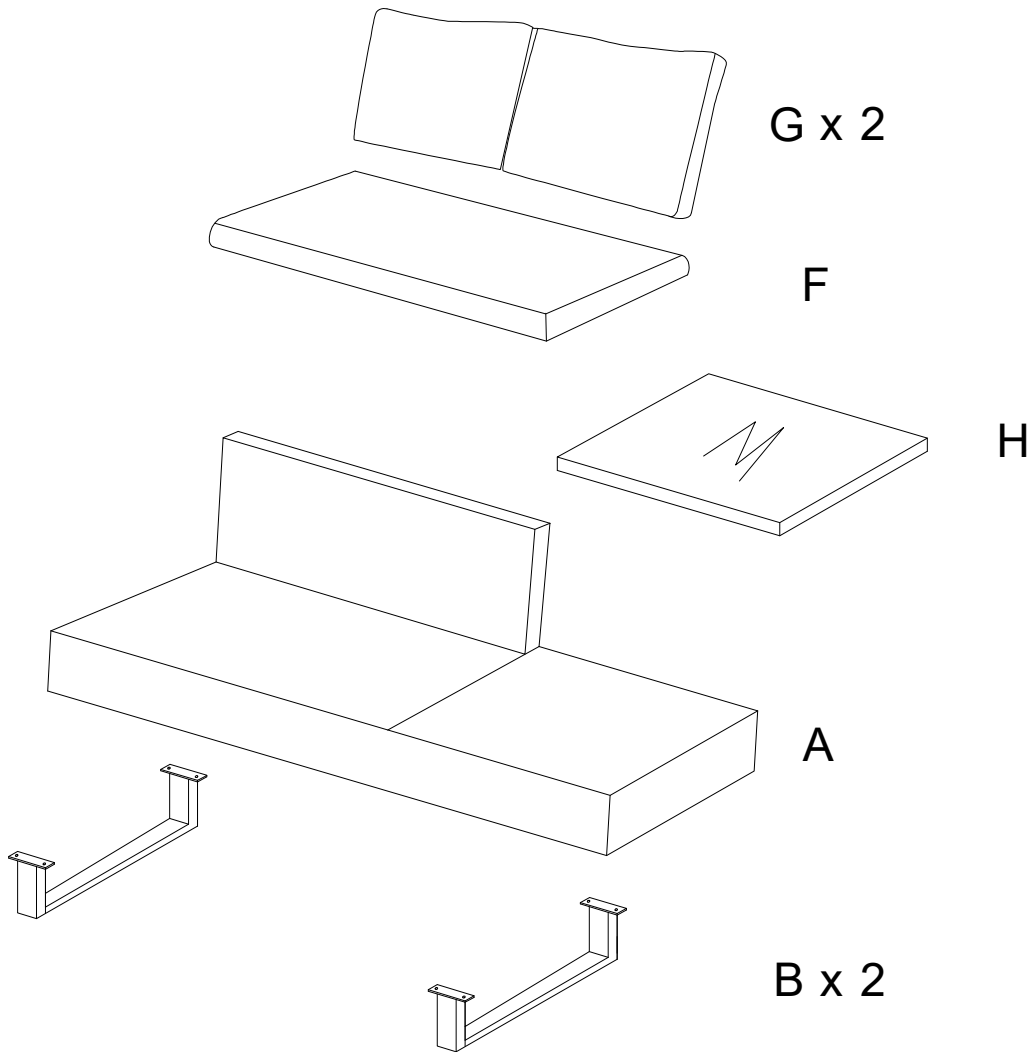
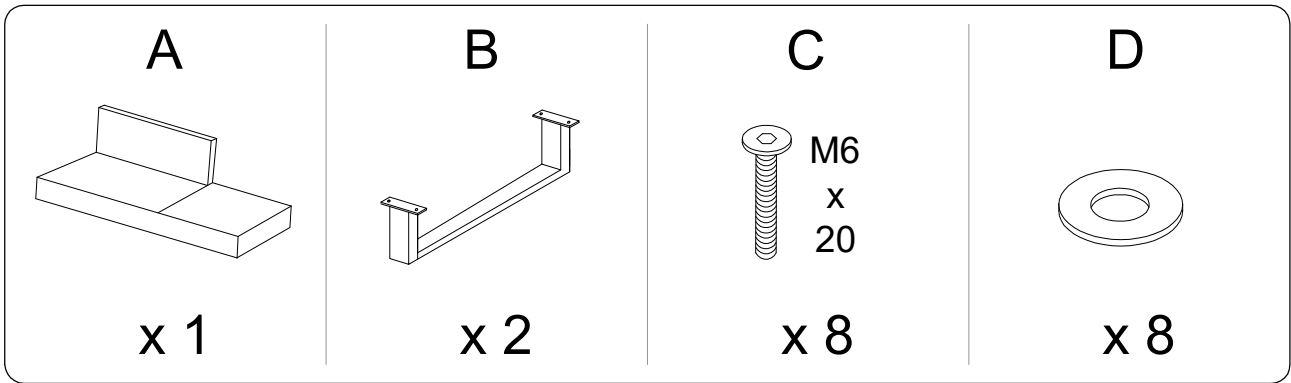
2



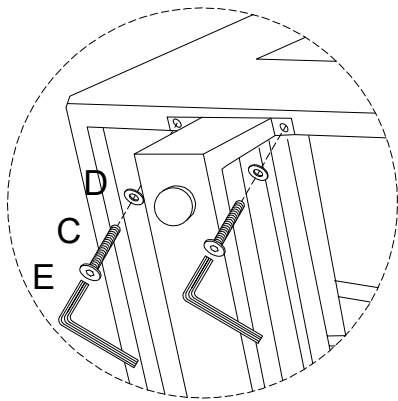
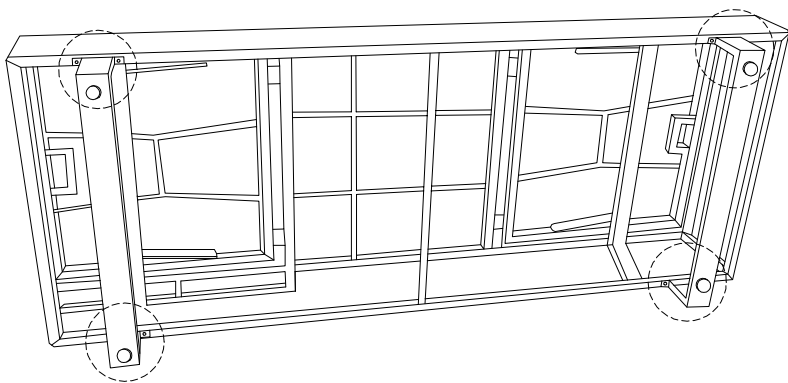
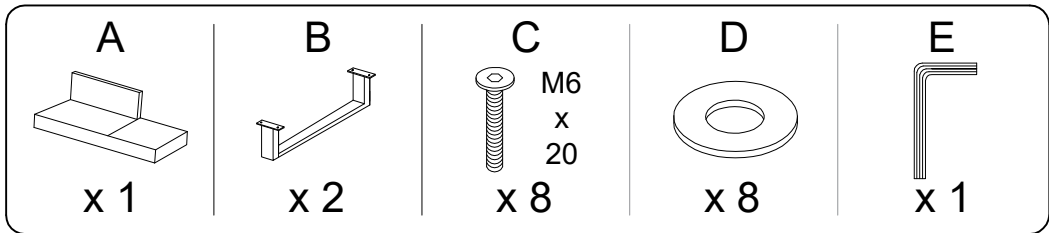
!



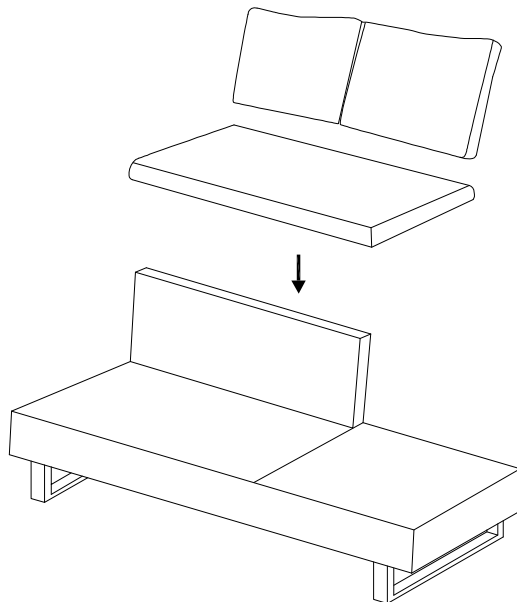
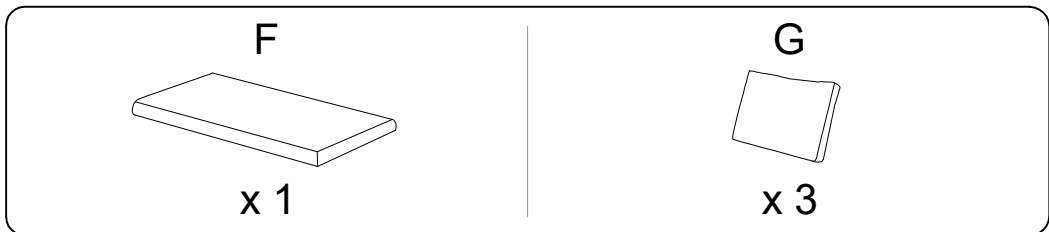
B



1

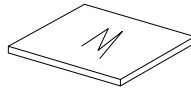


2

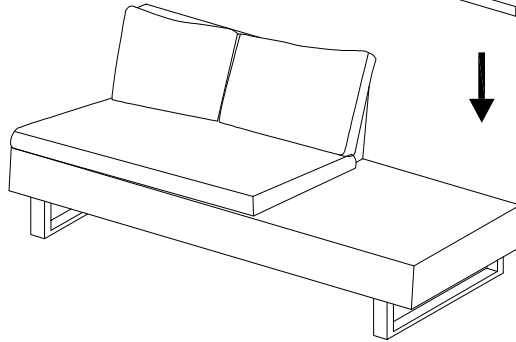
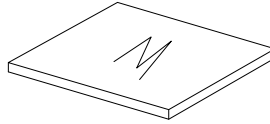


3

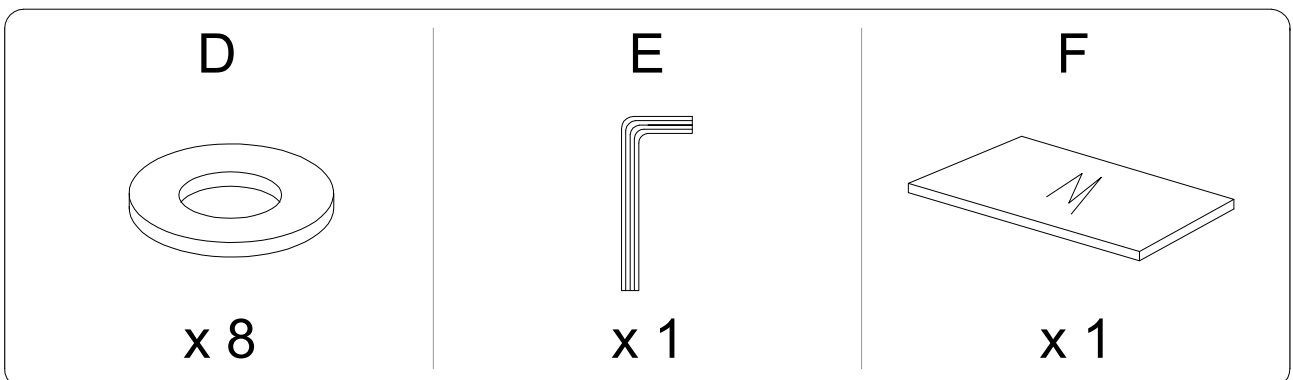
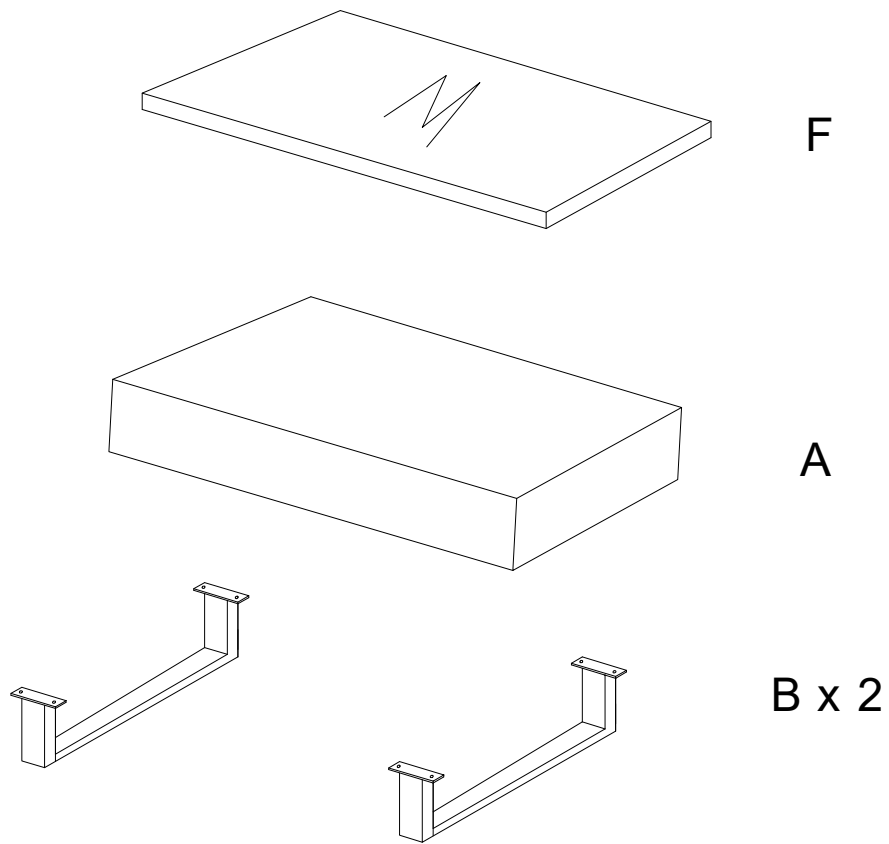
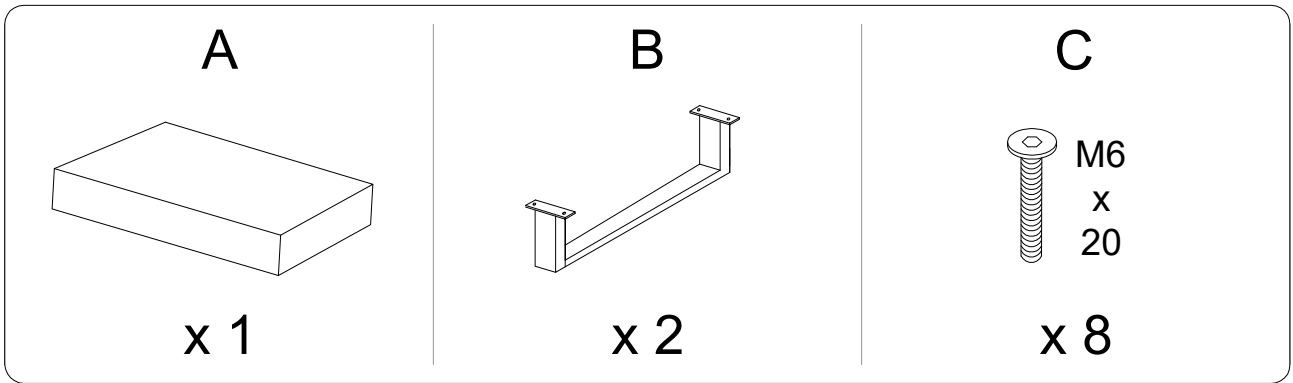
H



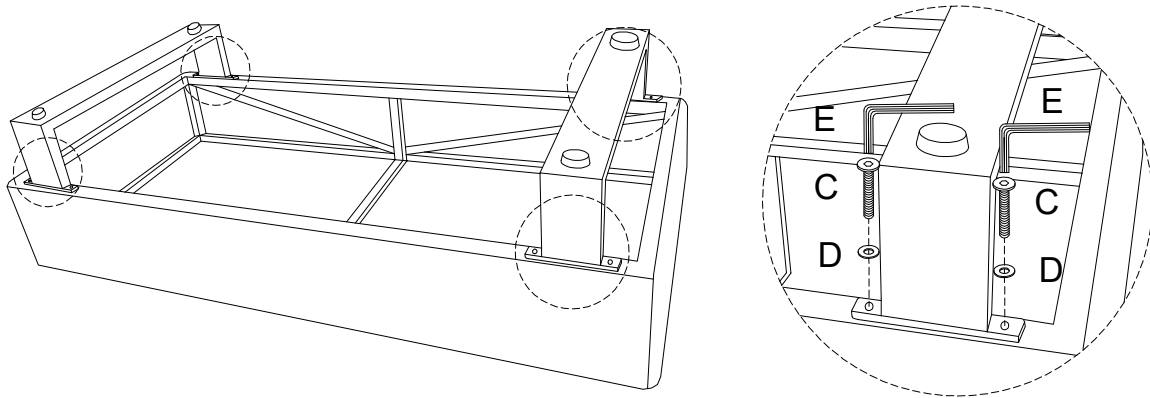
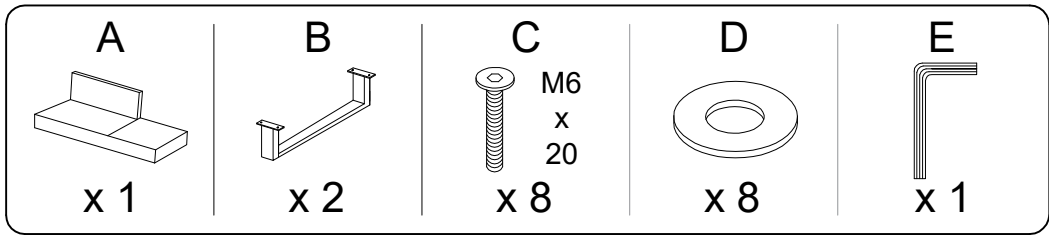
x 1



C



1



2

