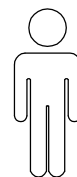
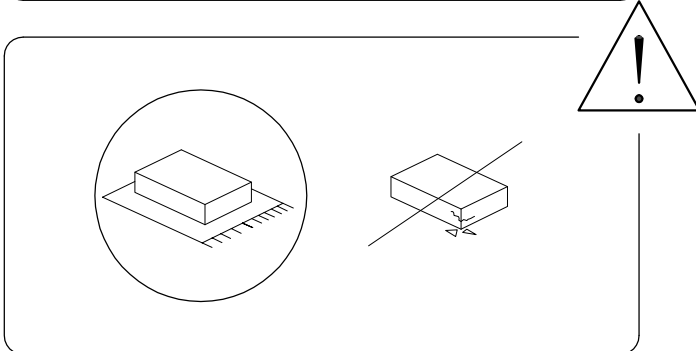
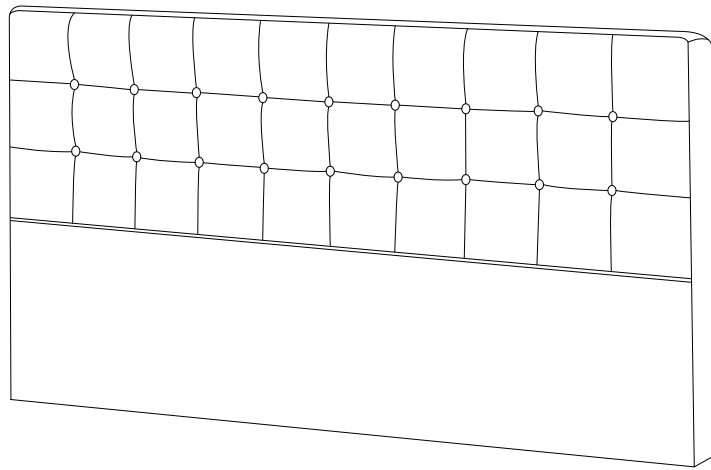


60'

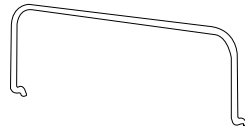


2

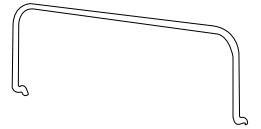
A



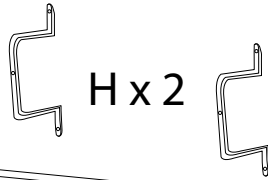
D



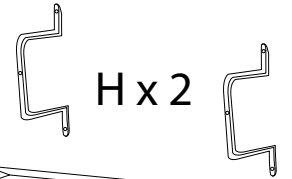
D



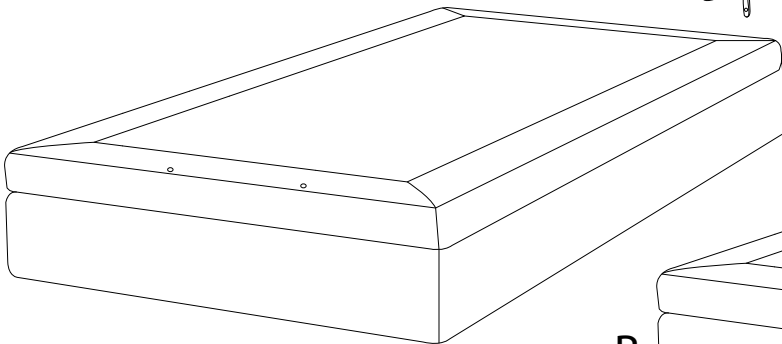
H x 2



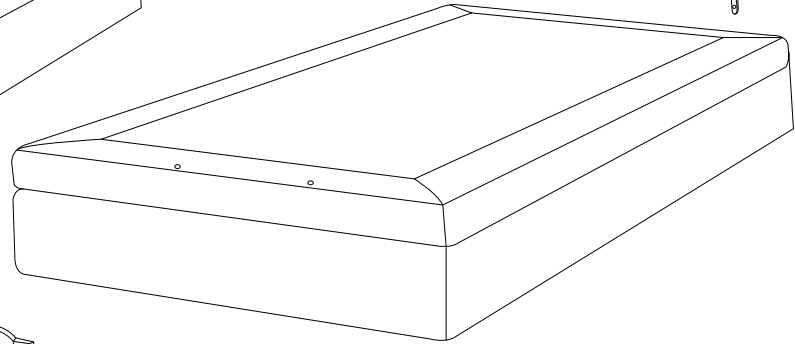
H x 2



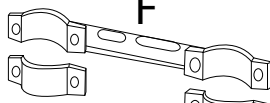
B



B



F



G



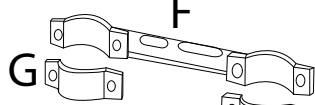
G



C x 8

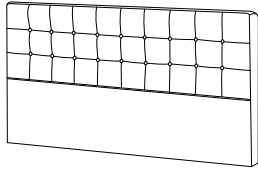


F



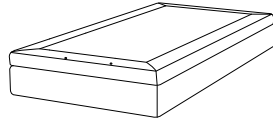
G

A



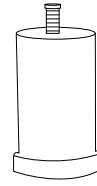
x 1

B



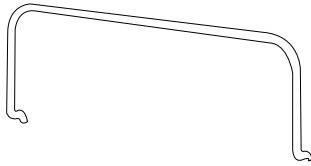
x 2

C



x 8

D



x 2

E



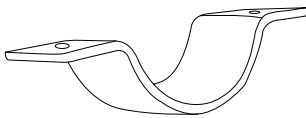
x 2

F



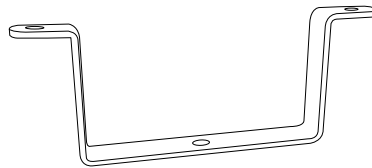
x 2

G



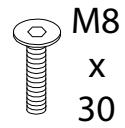
x 4

H



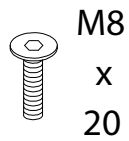
x 4

I



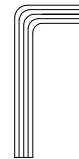
x 8

J



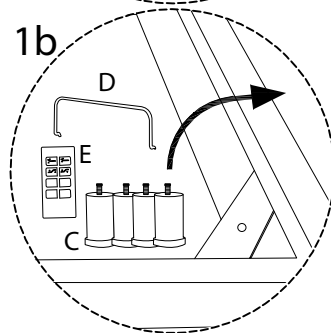
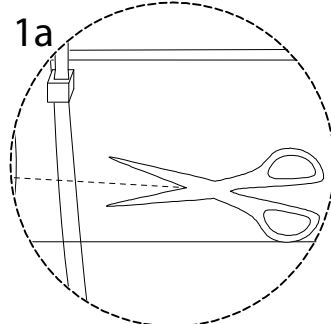
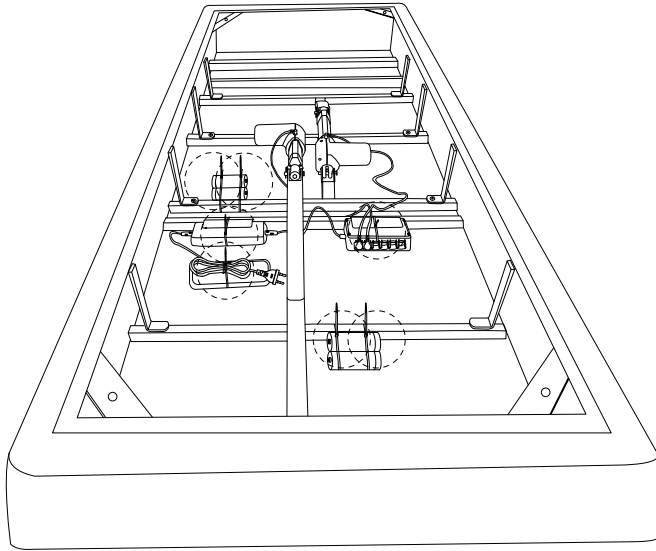
x 4

K



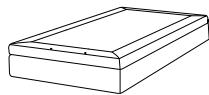
x 1

!



1 x 2

B

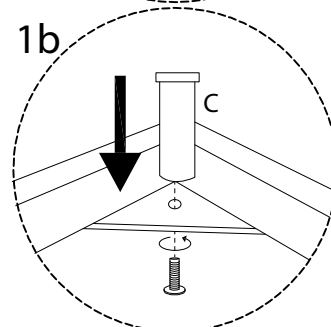
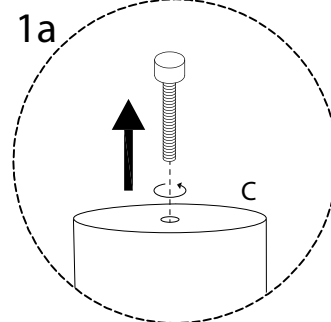
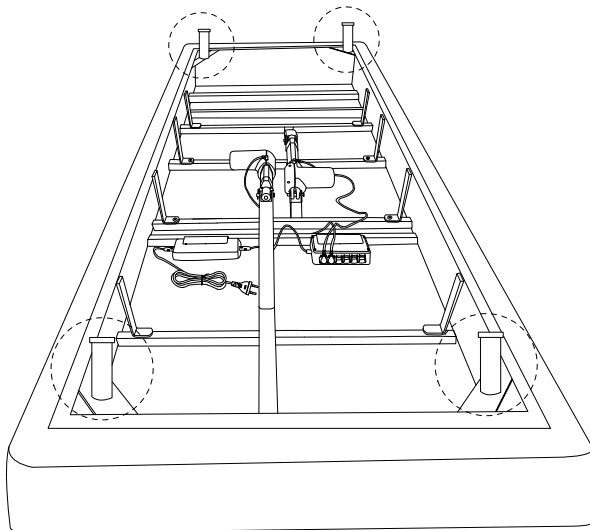


x 1

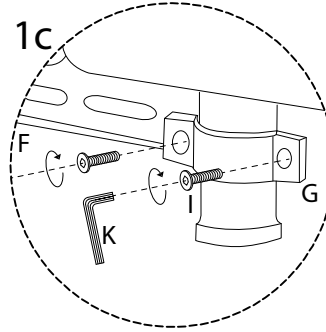
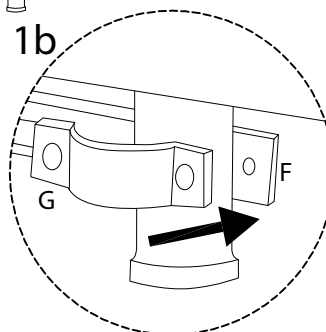
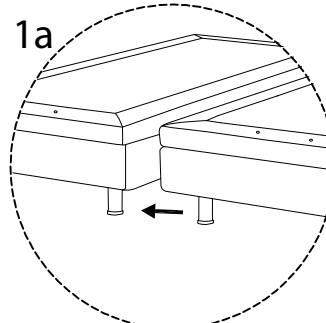
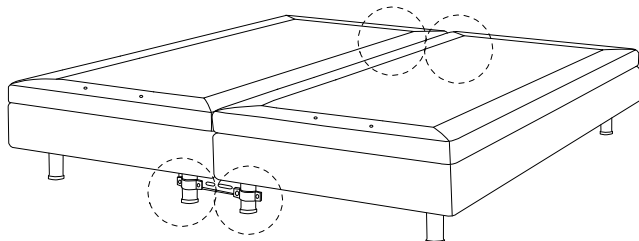
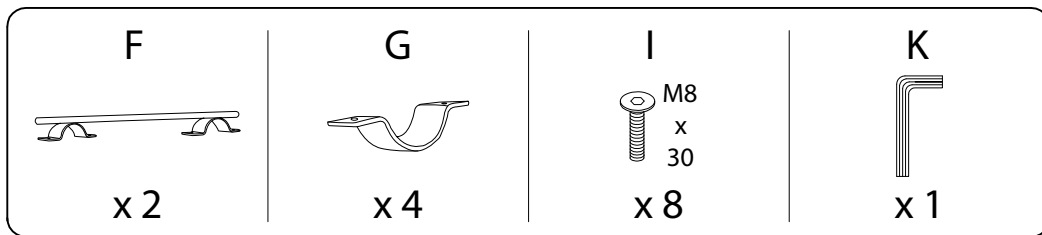
C



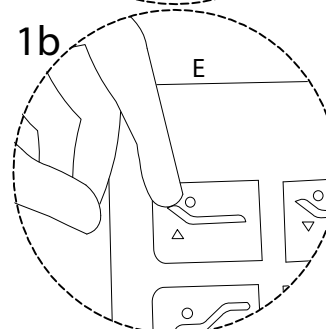
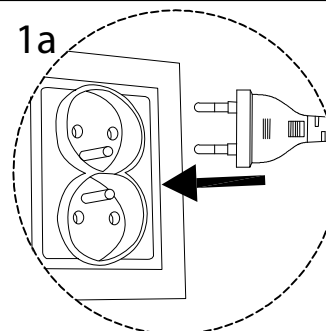
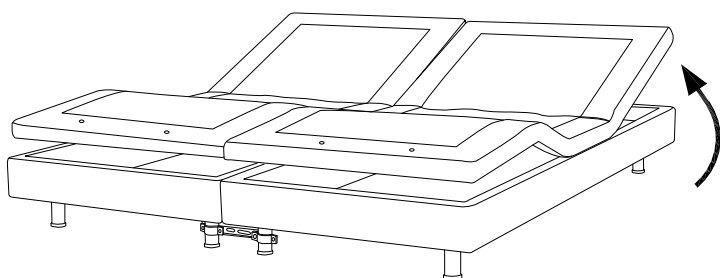
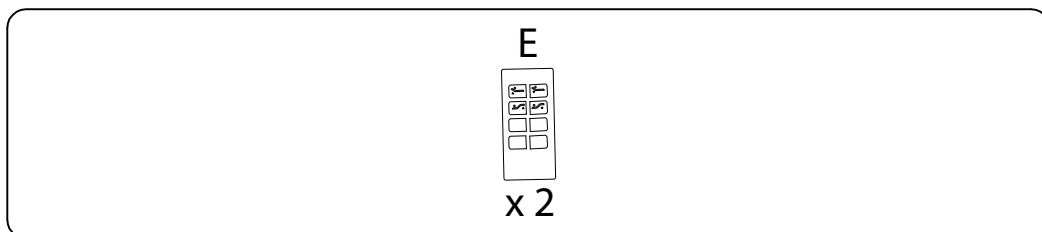
x 4



2

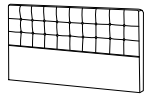


3



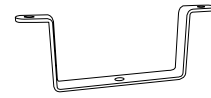
4

A

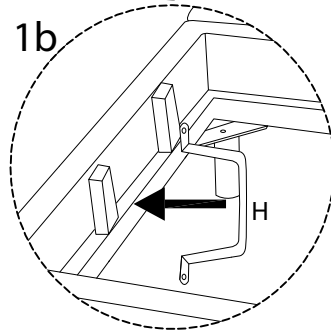
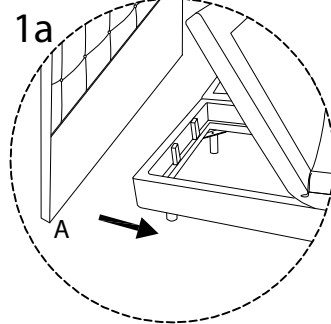
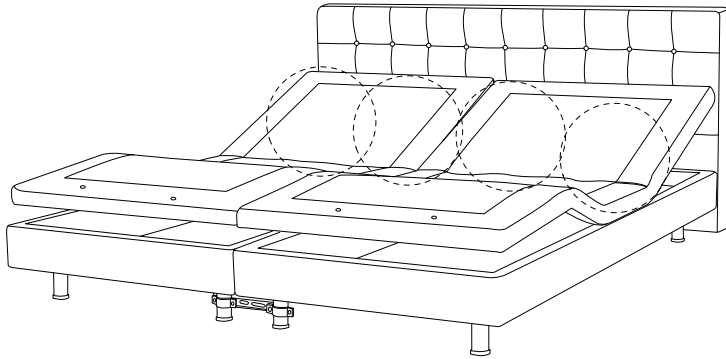


x 1

H



x 4



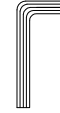
5

J

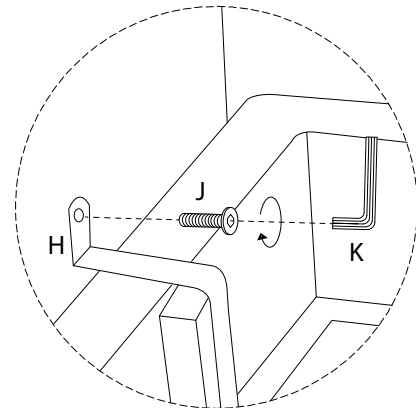
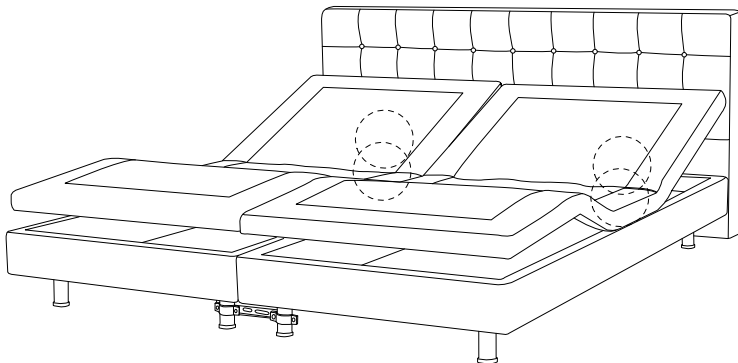


x 4

K



x 1



6

