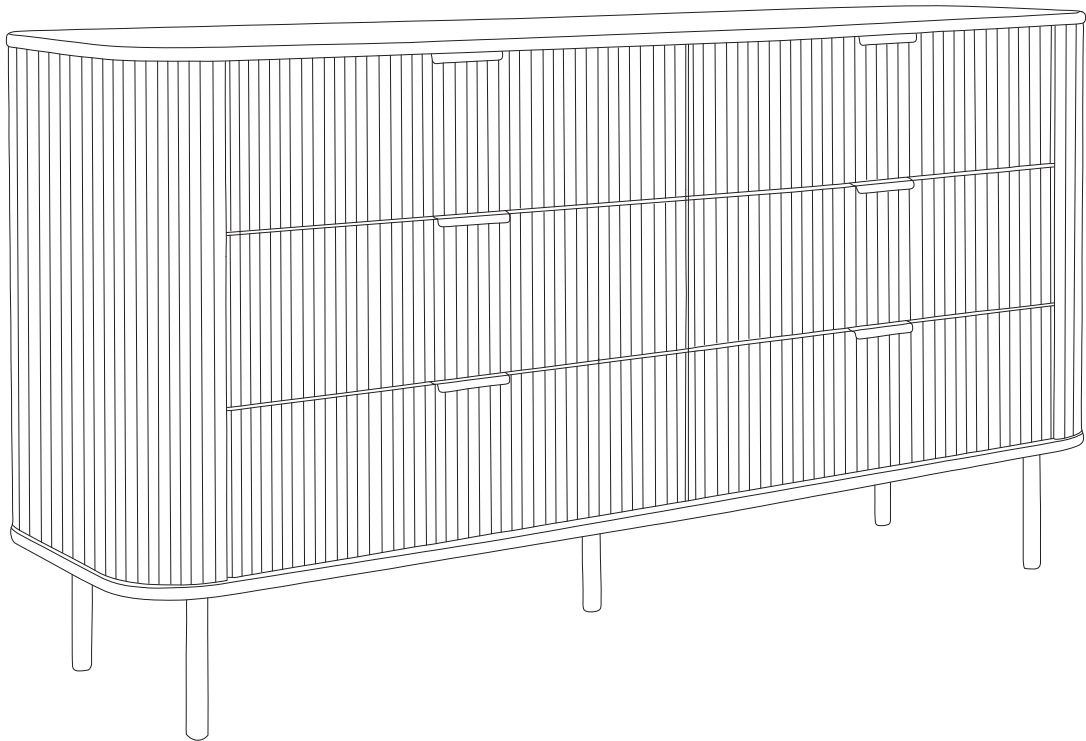
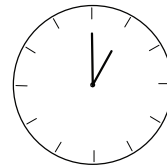
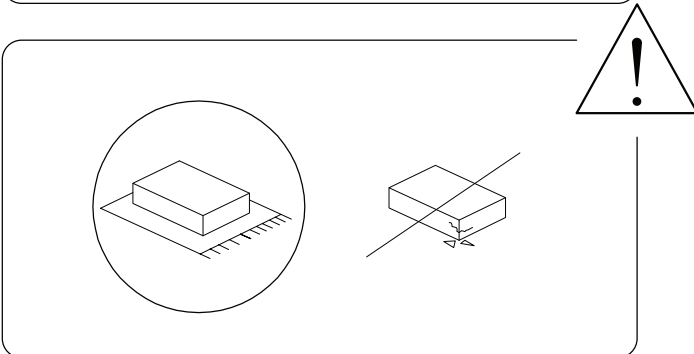
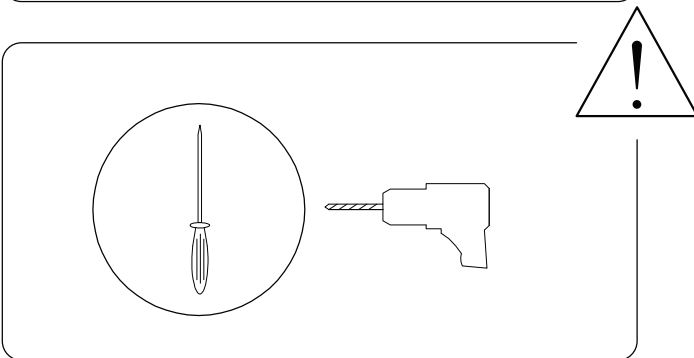
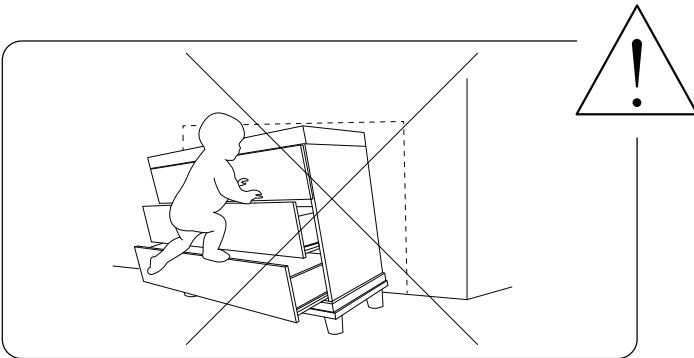
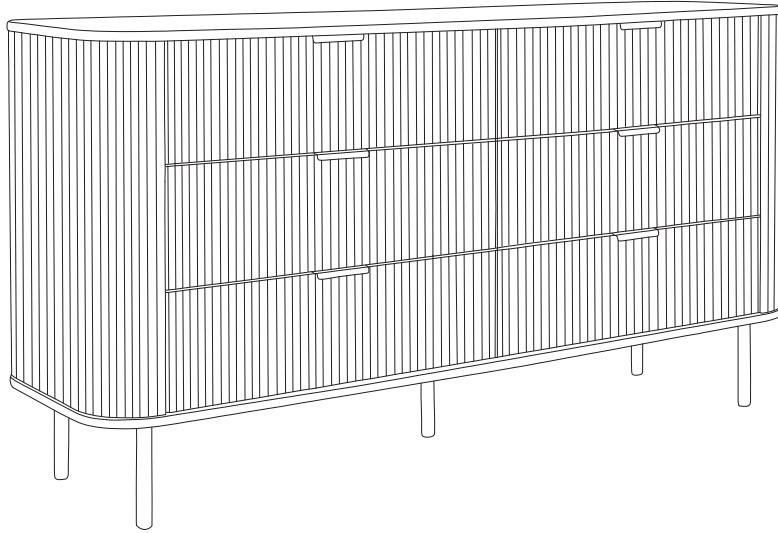
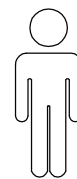


BRADLEY

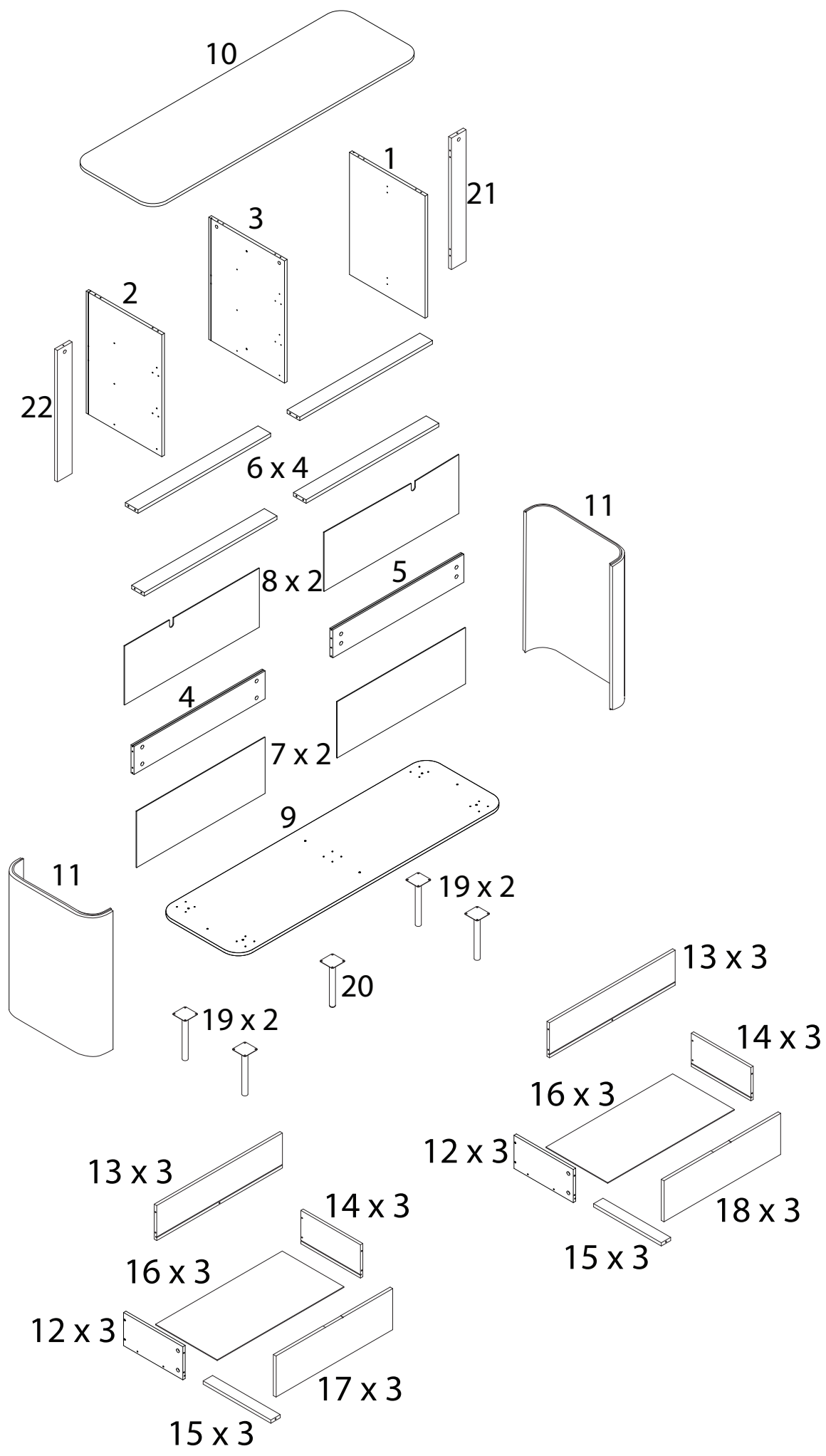


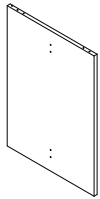


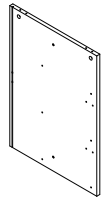
60'

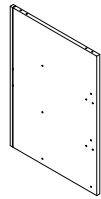


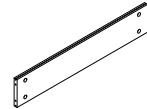
2

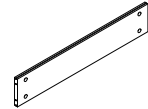


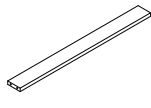
1

x 1

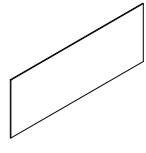
2

x 1

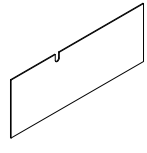
3

x 1

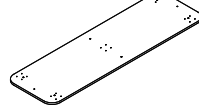
4

x 1

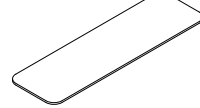
5

x 1

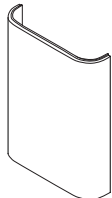
6

x 4

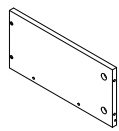
7

x 2

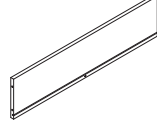
8

x 2

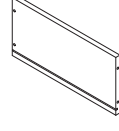
9

x 1

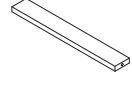
10

x 1

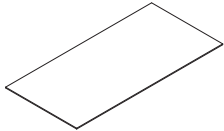
11

x 2

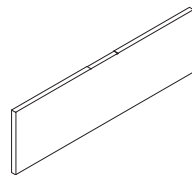
12

x 6

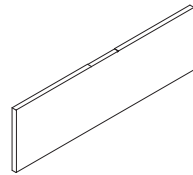
13

x 6

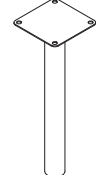
14

x 6

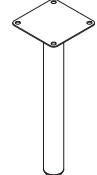
15

x 6

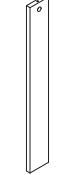
16

x 6

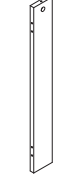
17

x 3

18

x 3

19

x 4

20

x 1

21

x 1

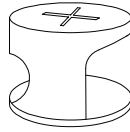
22

x 1

A



x 54

B



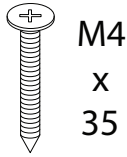
x 54

C



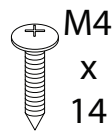
x 24

D



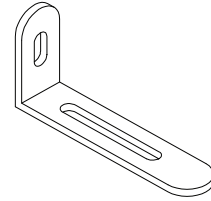
x 44

E



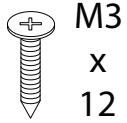
x 22

F



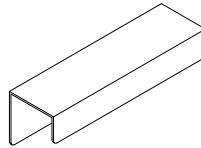
x 2

G



x 60

H



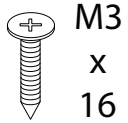
x 6

I



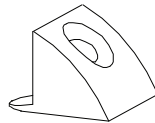
x 2

J



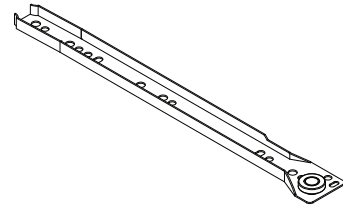
x 16

K



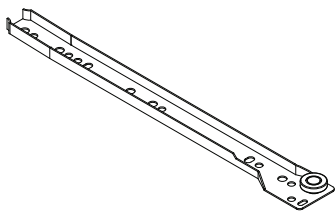
x 16

L



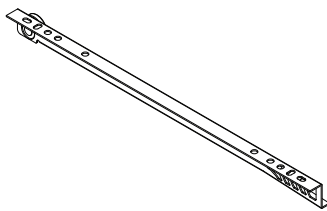
x 6

M



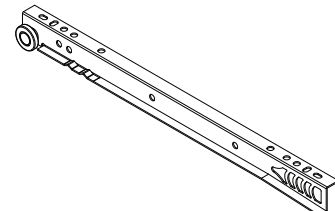
x 6

N



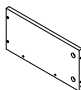
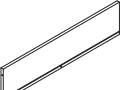
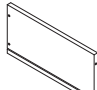
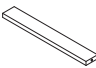
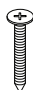
x 6

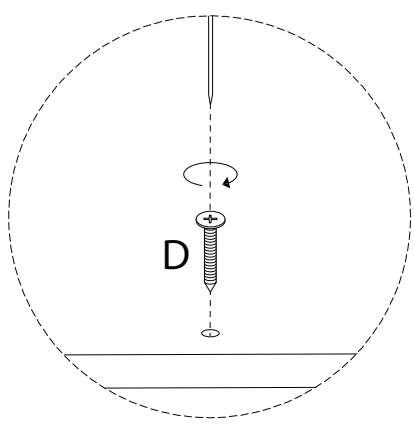
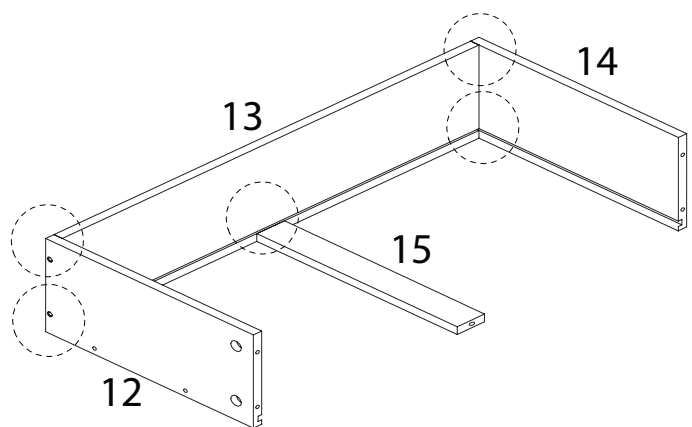
O



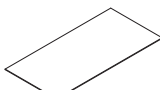
x 6

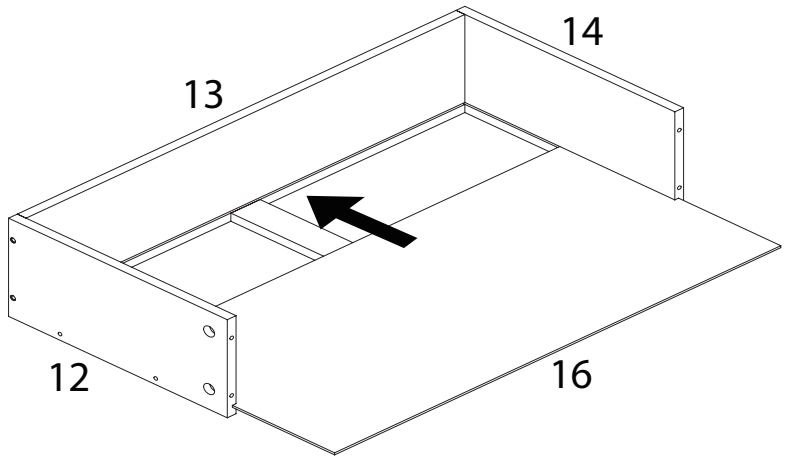
1 x 6

12  x 1	13  x 1	14  x 1	15  x 1	D  x 5
--	--	--	--	---

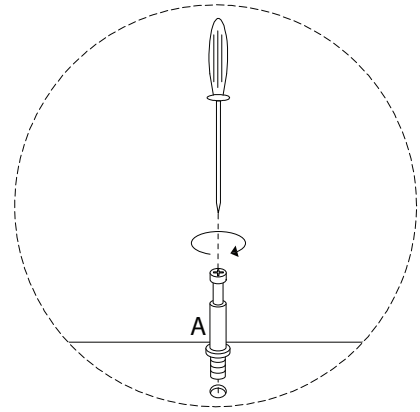
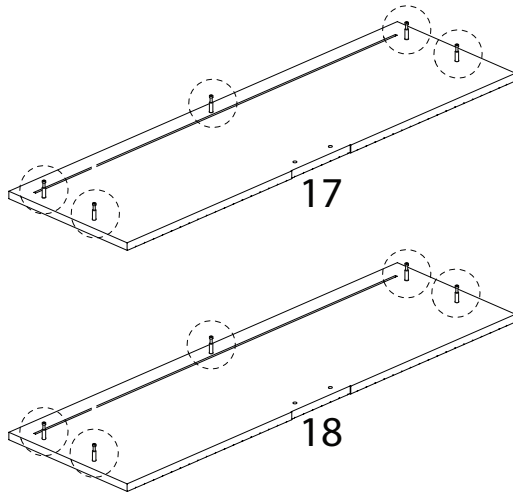
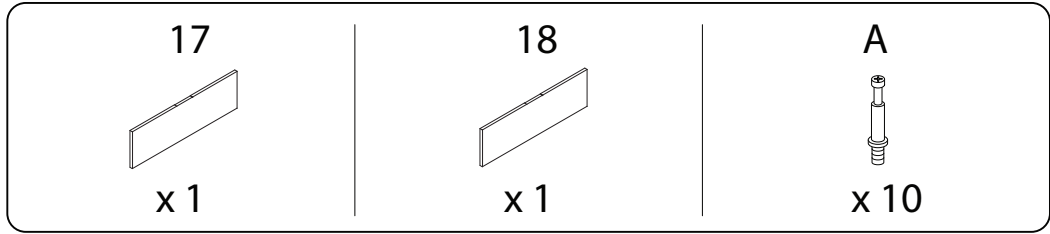


2 x 6

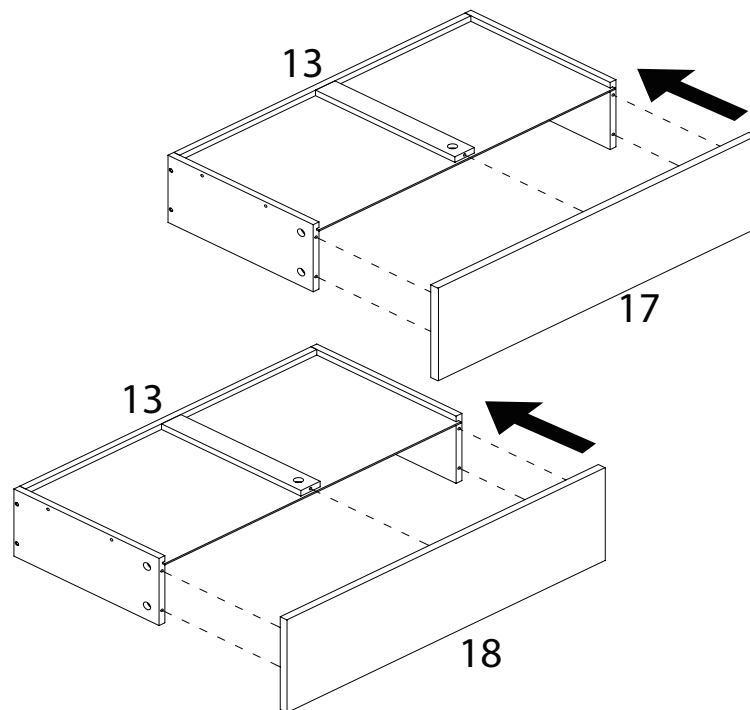
16  x 1
--



3 x 3



4 x 3

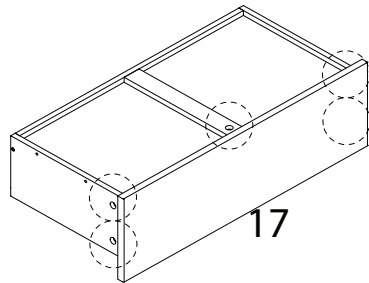


5 x 3

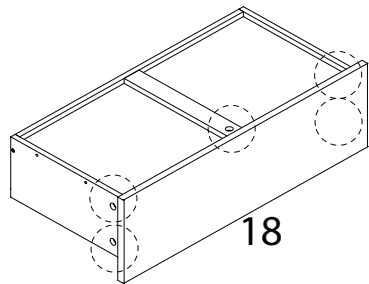
B



x 10

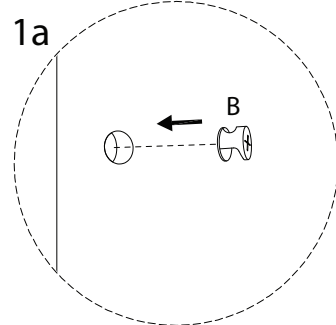


17

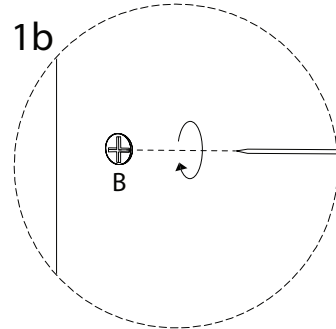


18

1a



1b



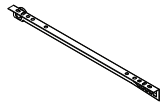
6 x 3

G



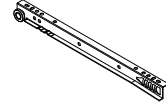
x 8

N

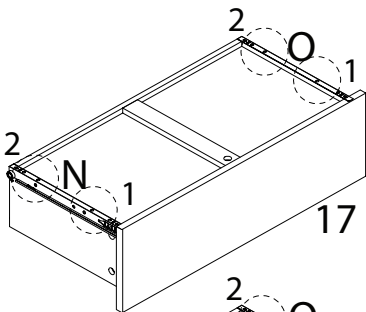


x 2

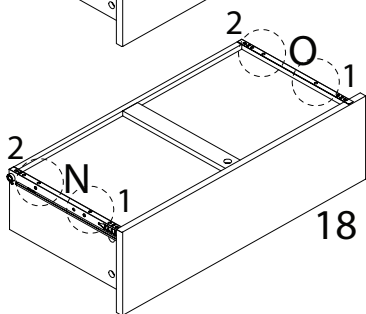
O



x 2

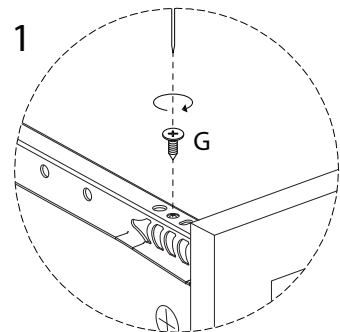


17

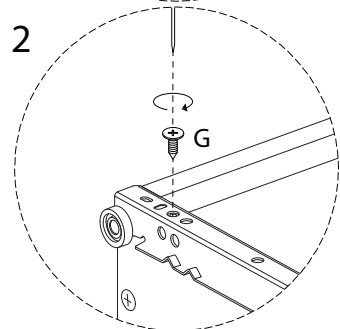


18

1

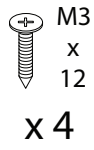


2

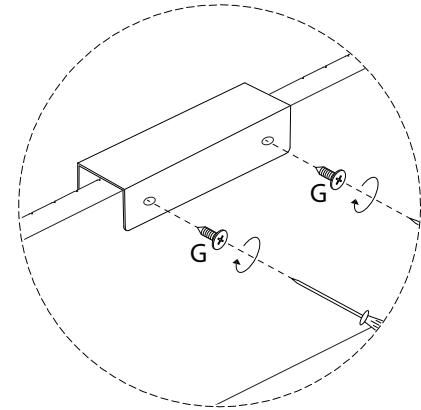
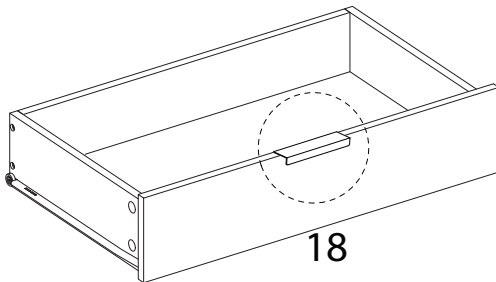
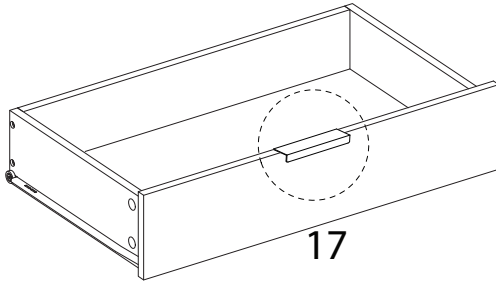
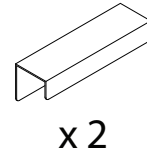


7 x 3

G

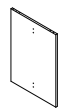


H

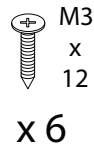


8

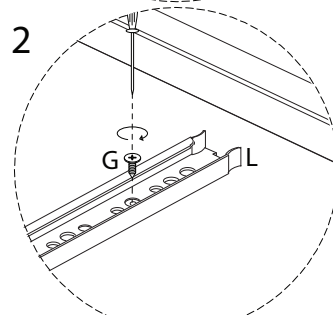
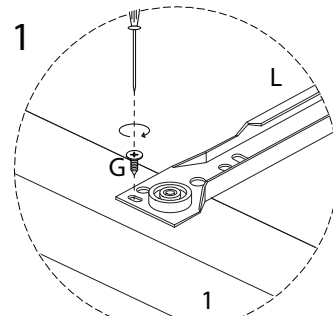
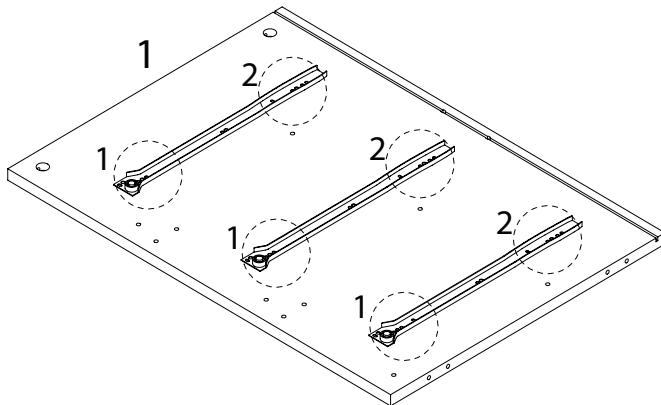
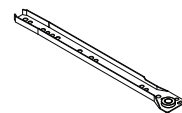
1



G

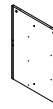


L



9

2



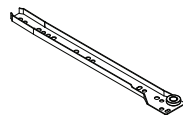
x1

G

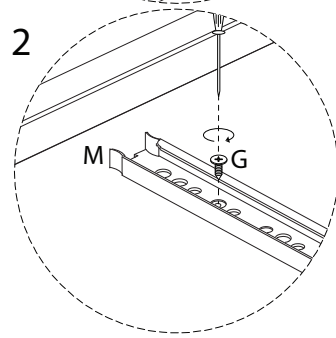
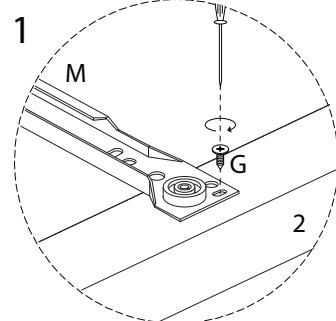
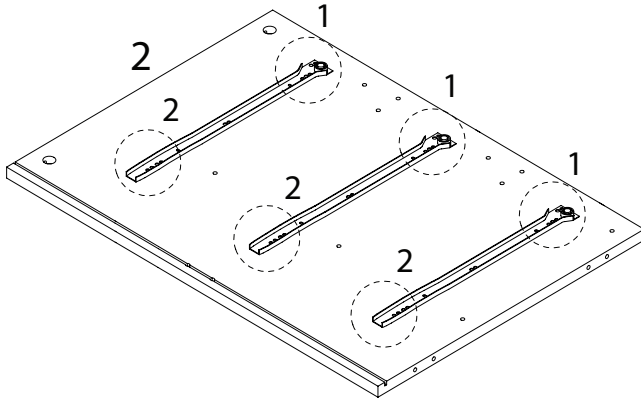


x6

M



x3

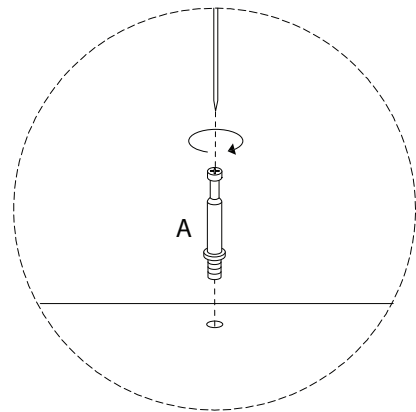
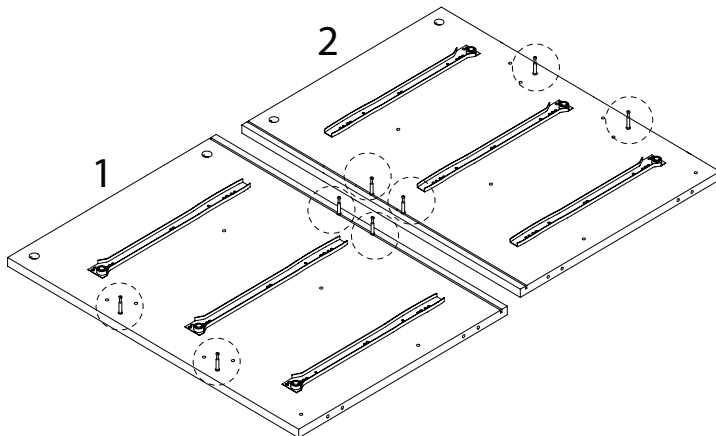


10

A

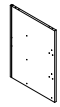


x8



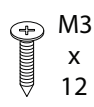
11

3



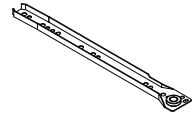
x 1

G

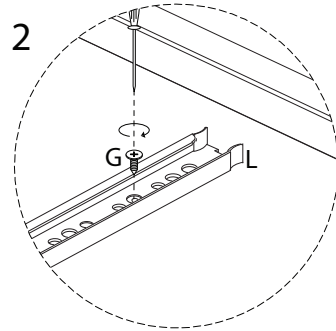
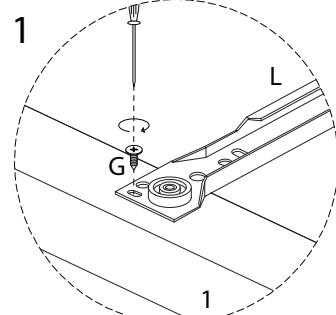
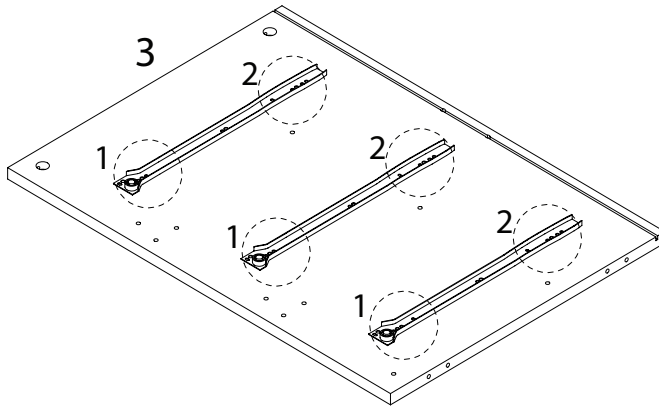


x 6

L

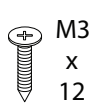


x 3



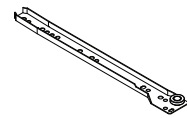
12

G

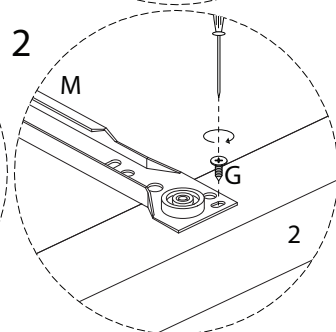
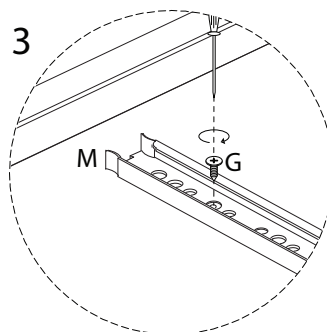
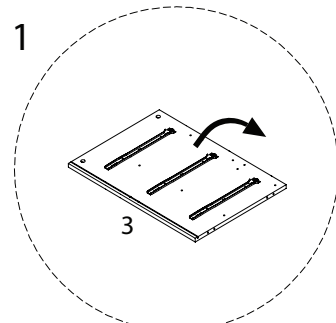
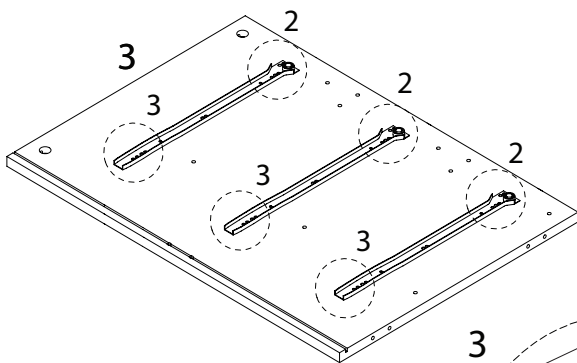


x 6

M



x 3

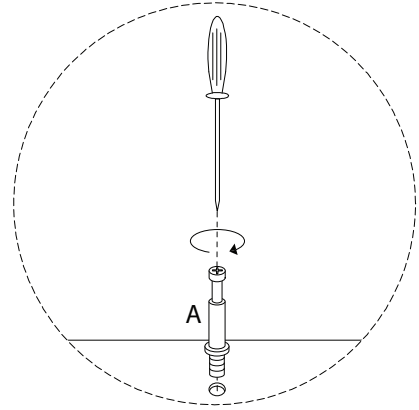
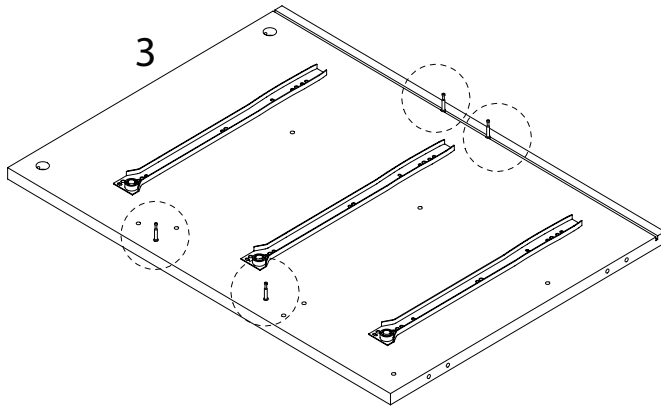


13

A



x 4

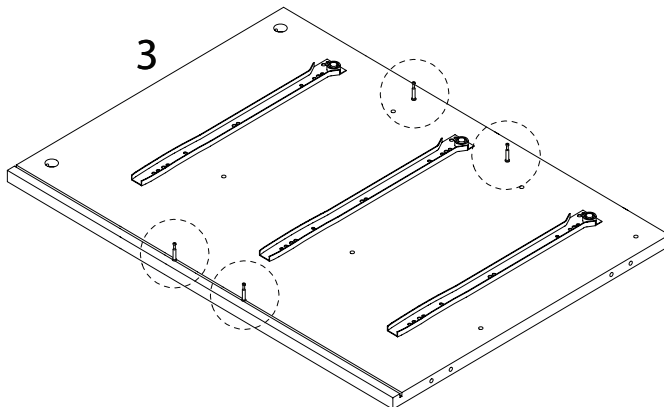


14

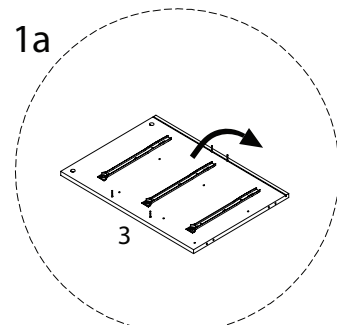
A



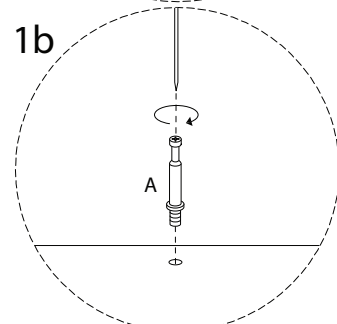
x 4



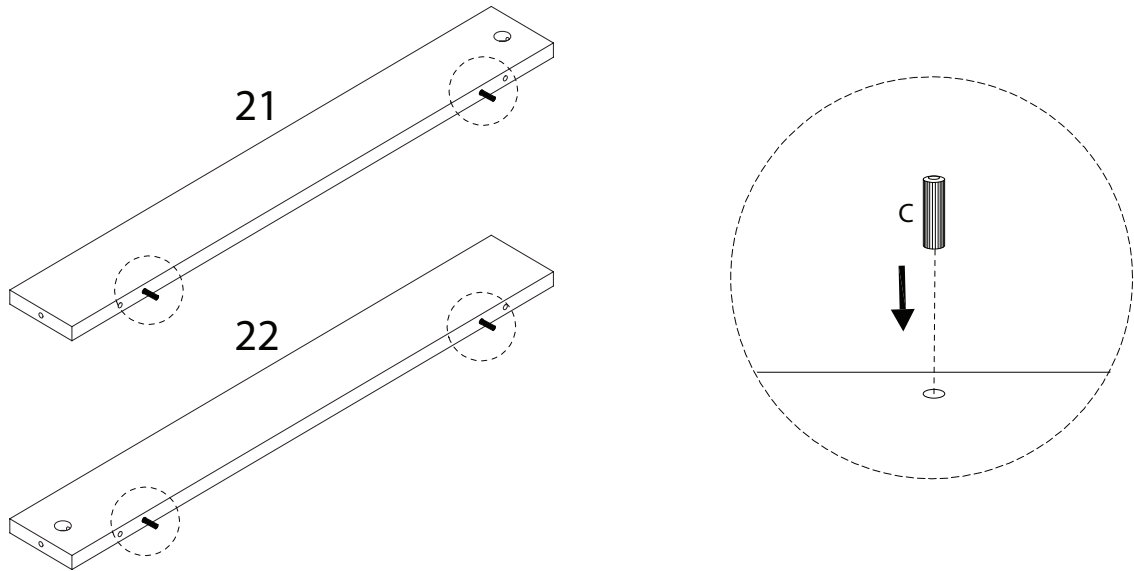
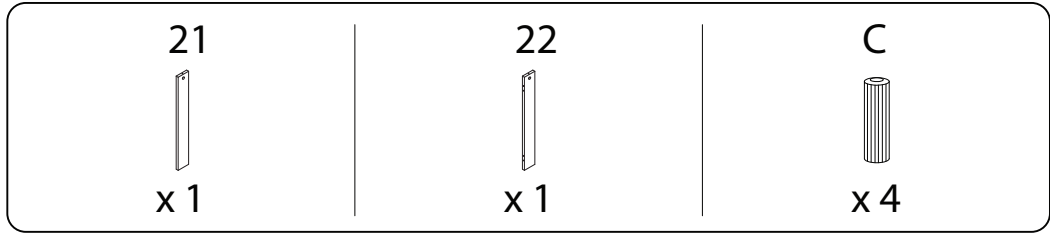
1a



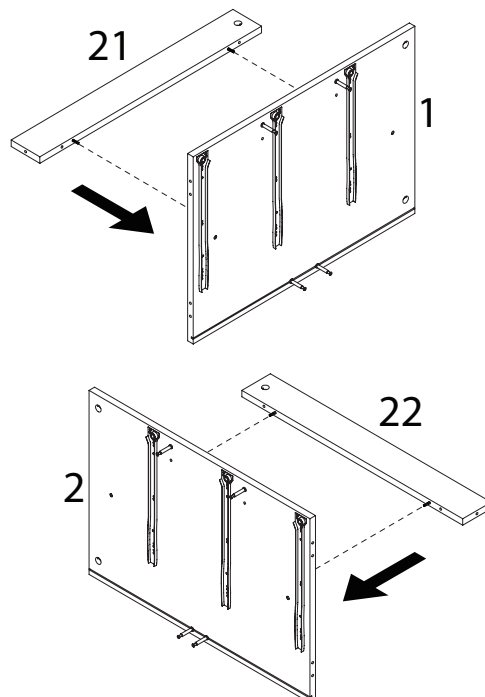
1b



15

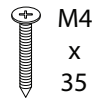


16

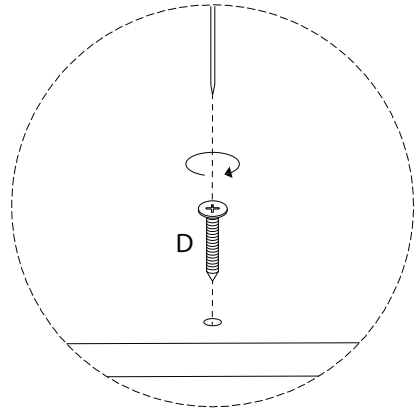
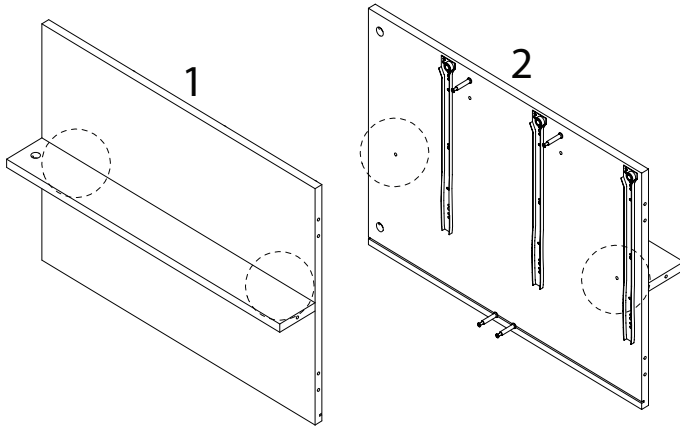


17

D

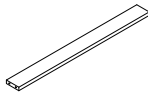


x 4



18 x 4

6

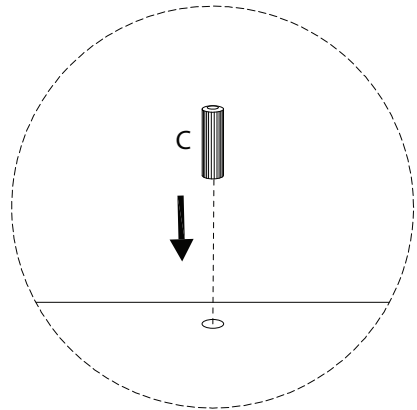
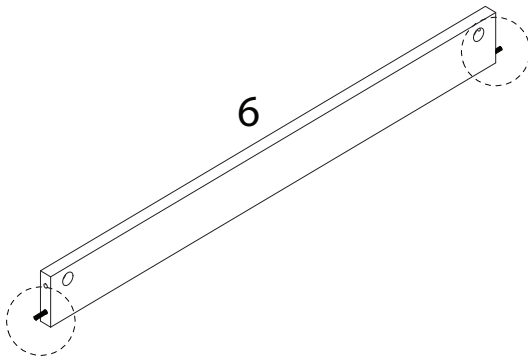


x 1

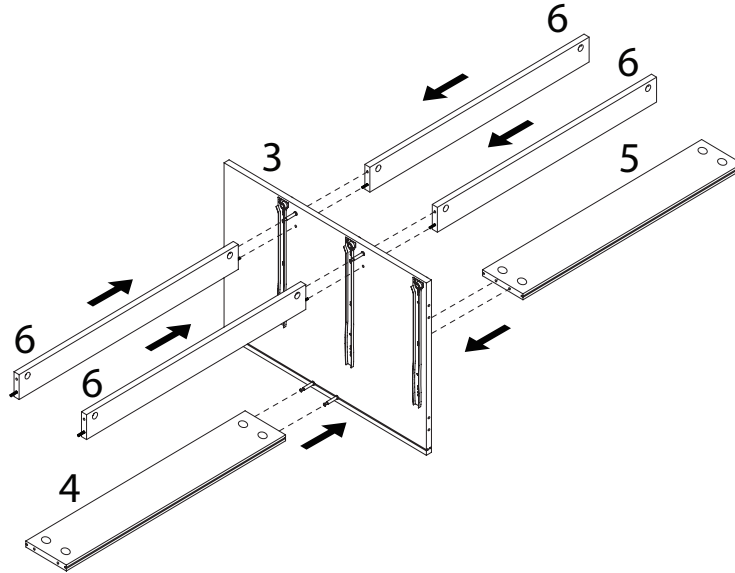
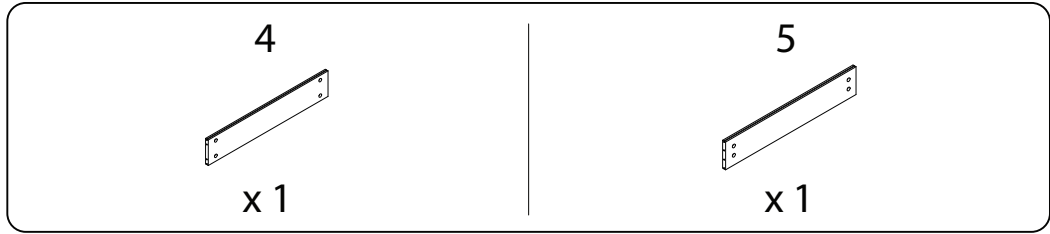
C



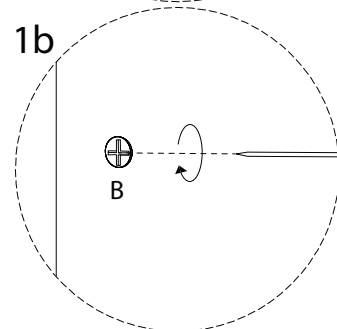
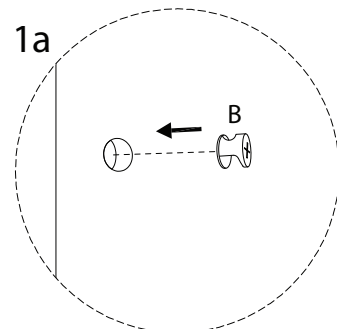
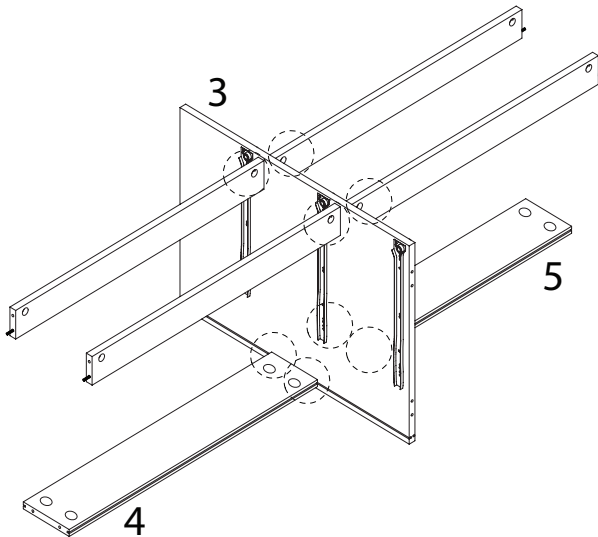
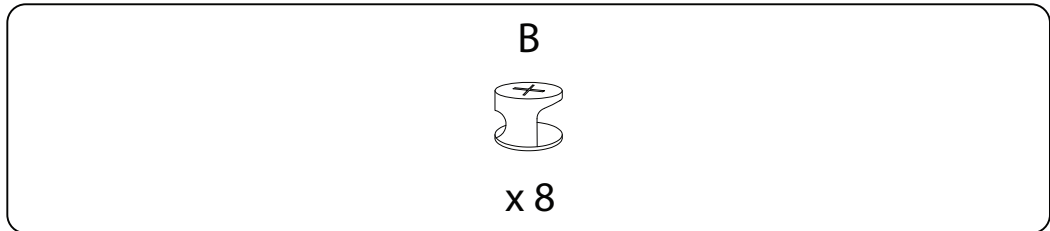
x 2



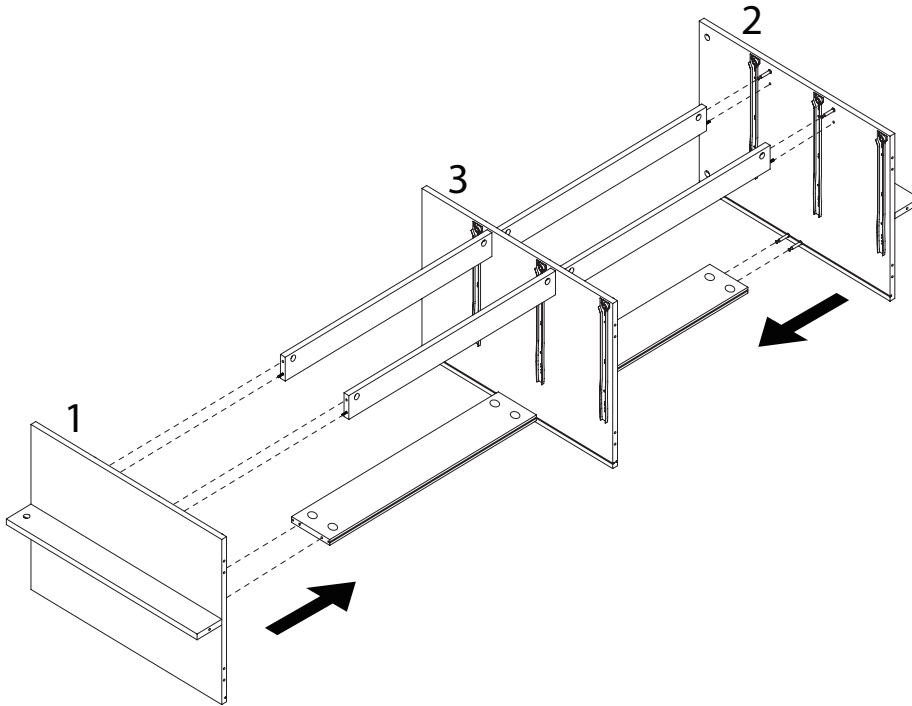
19



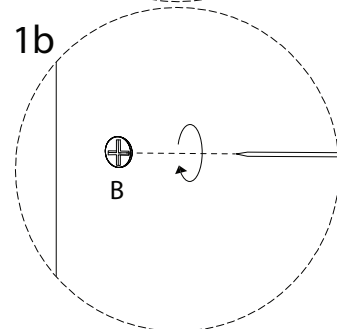
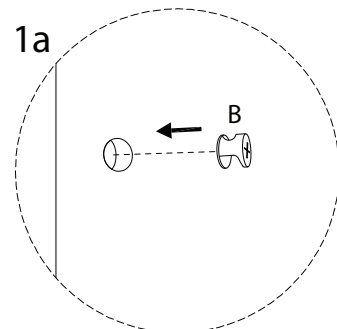
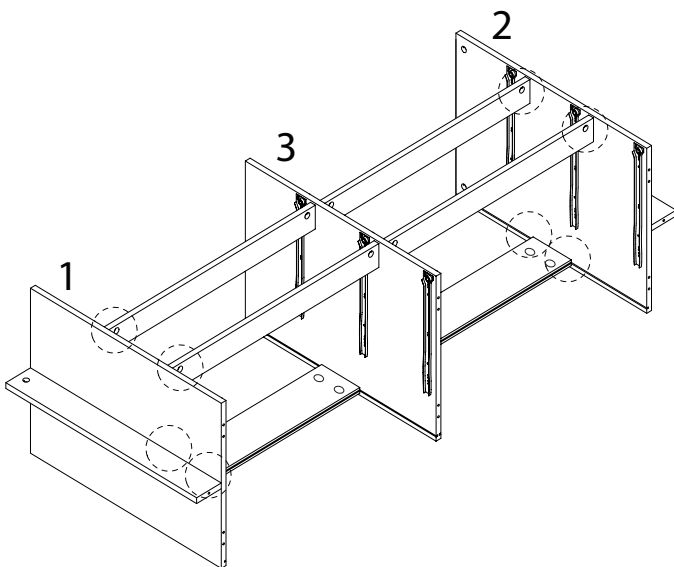
20



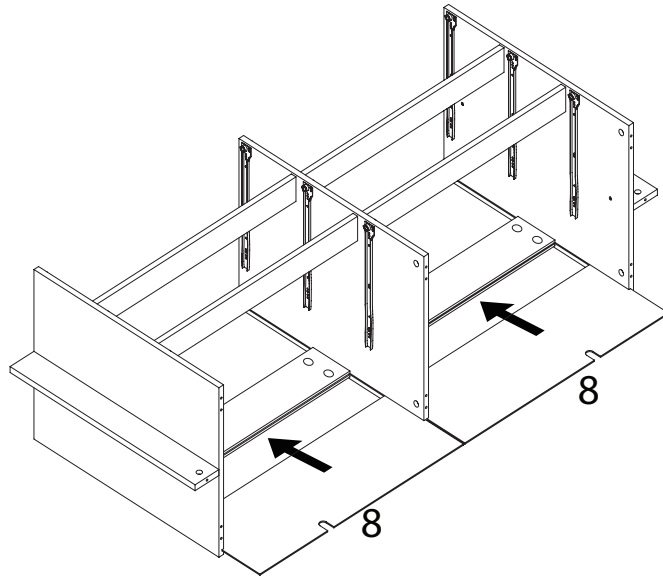
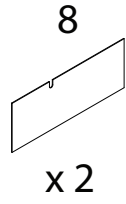
21



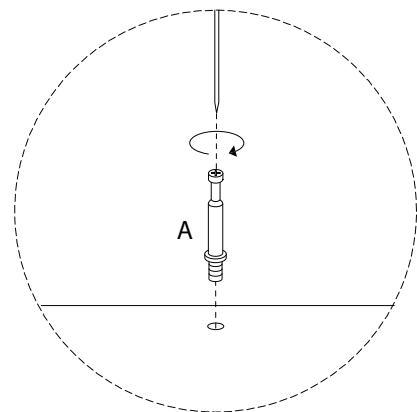
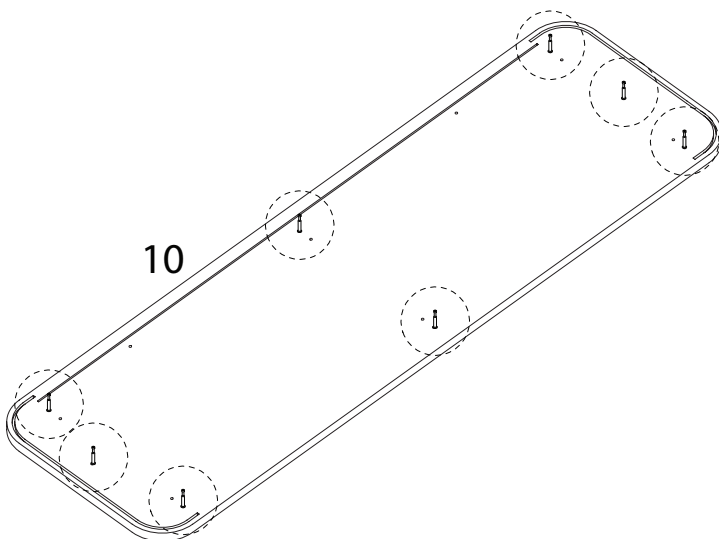
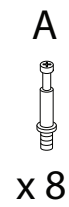
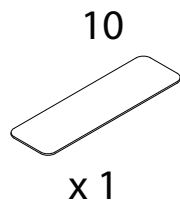
22



23



24

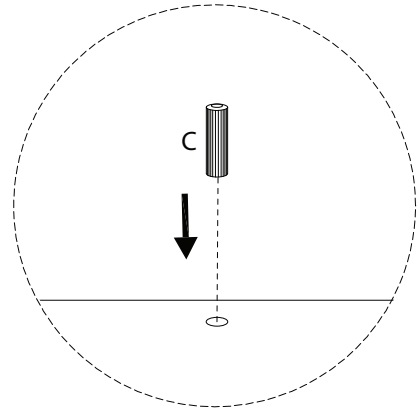
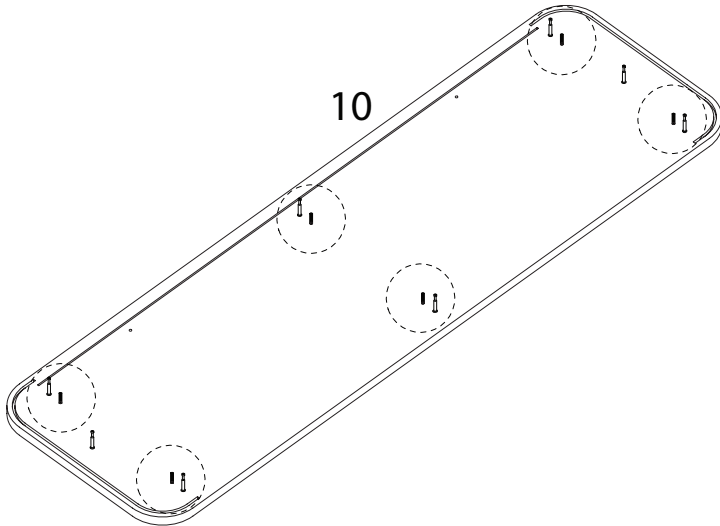


25

C



x 6



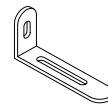
26

E

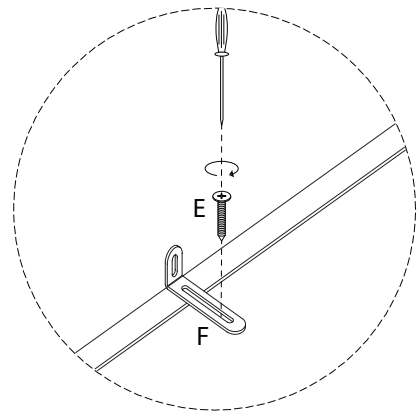
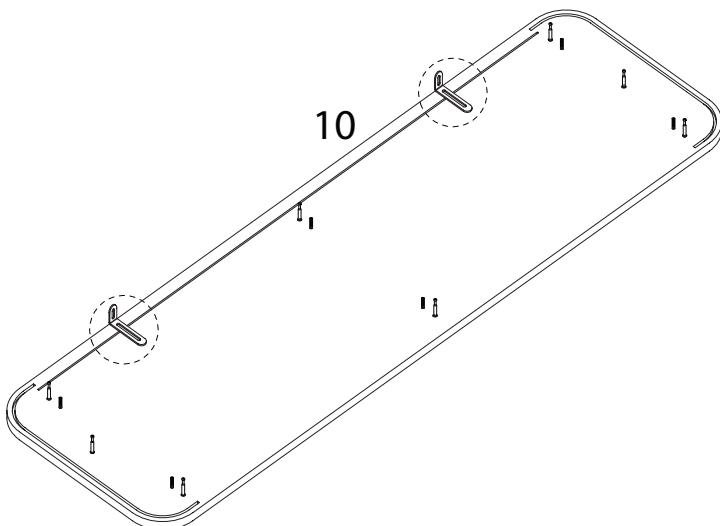


x 2

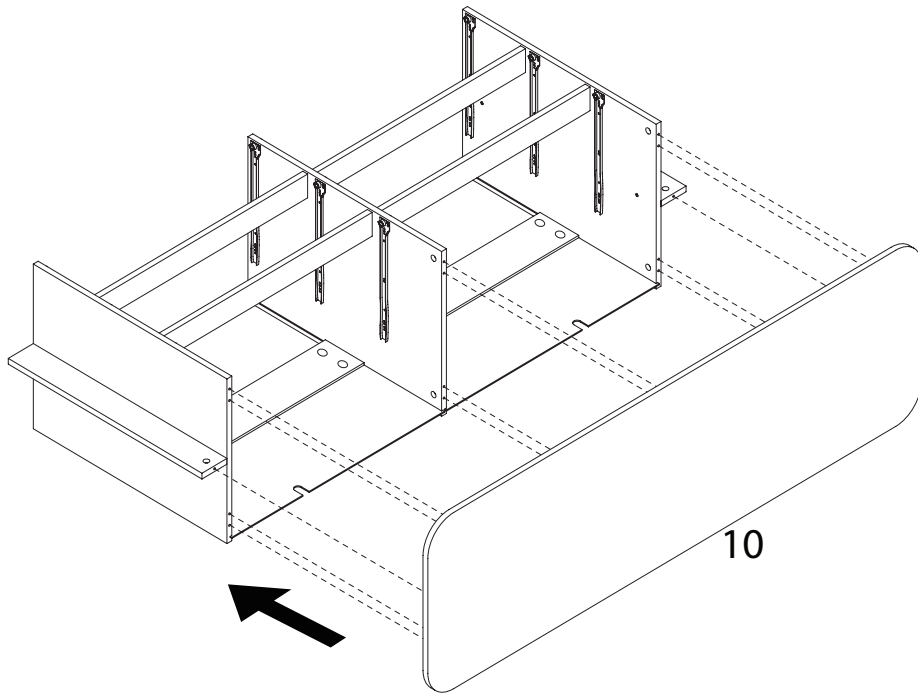
F



x 2



27

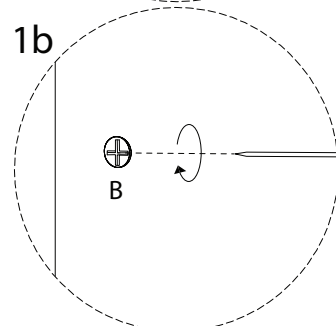
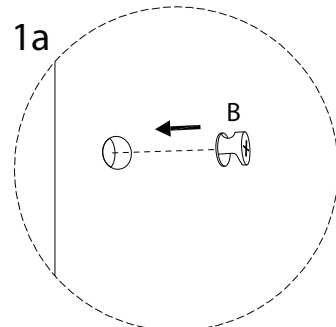
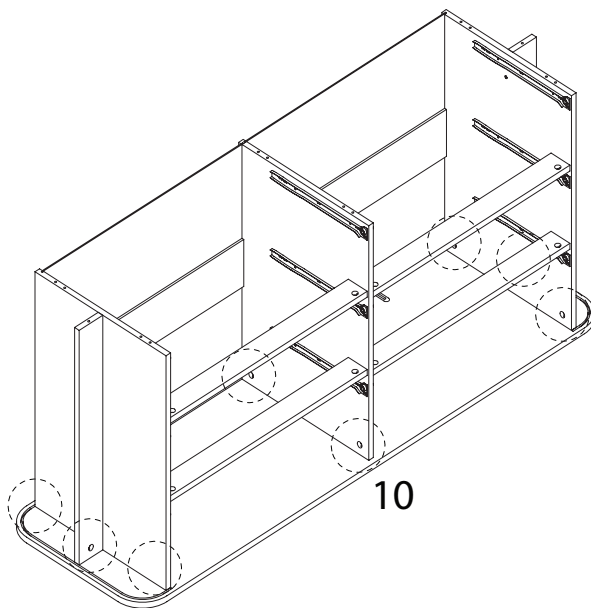


28

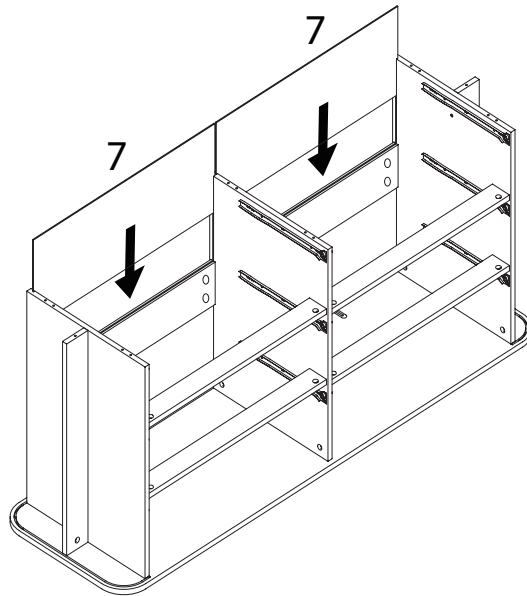
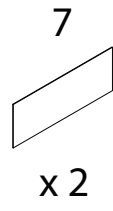
B



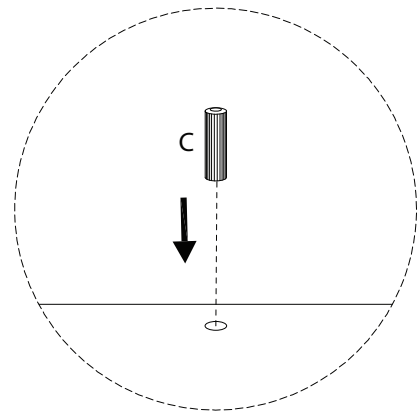
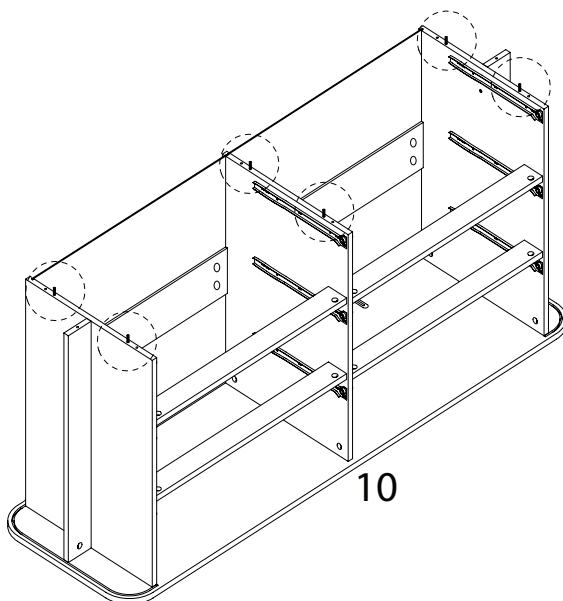
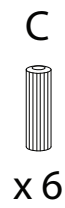
x 8



29



30

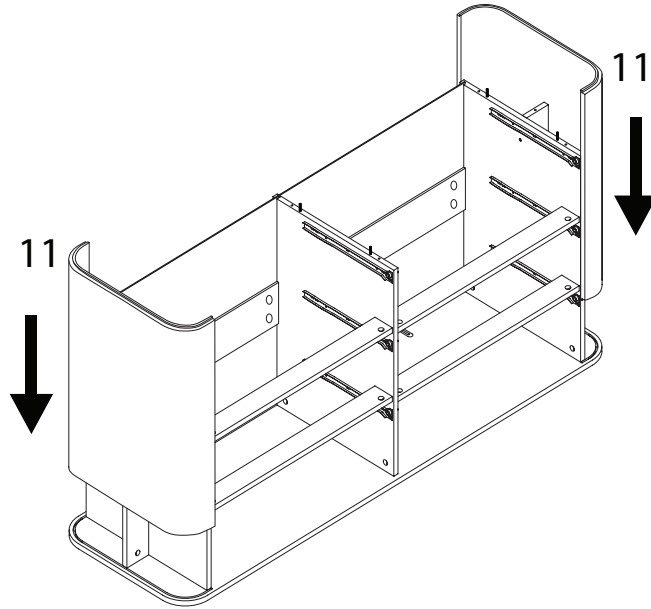


31

11

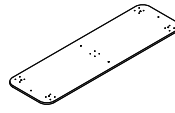


x 2

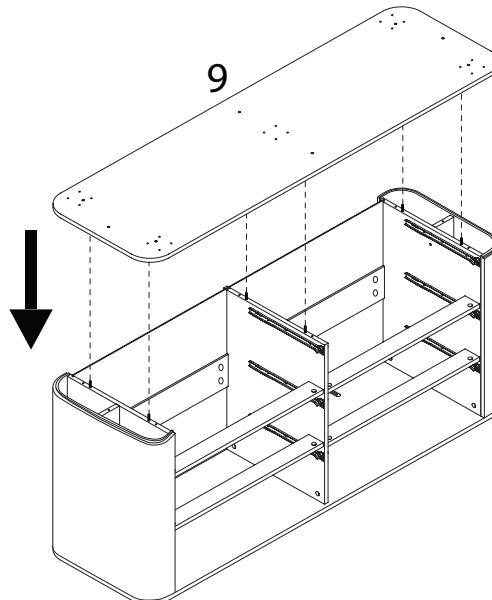


32

9

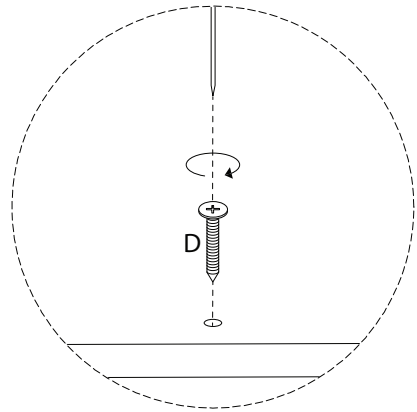
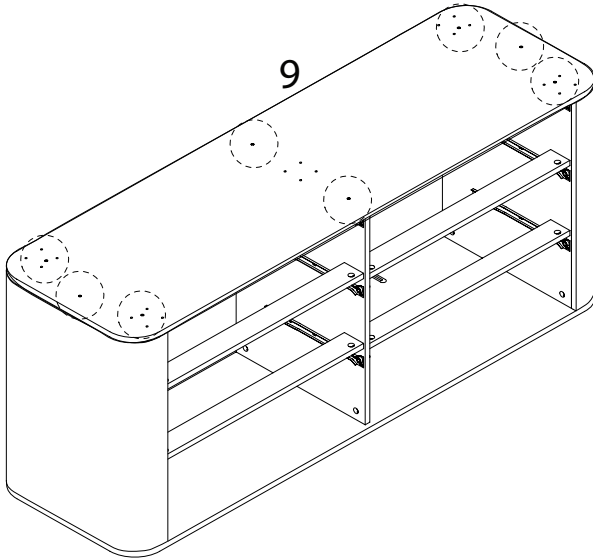


x 1



33

D
M4
x
35
x 8

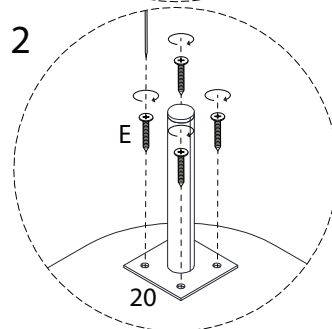
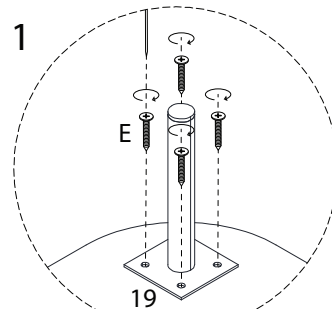
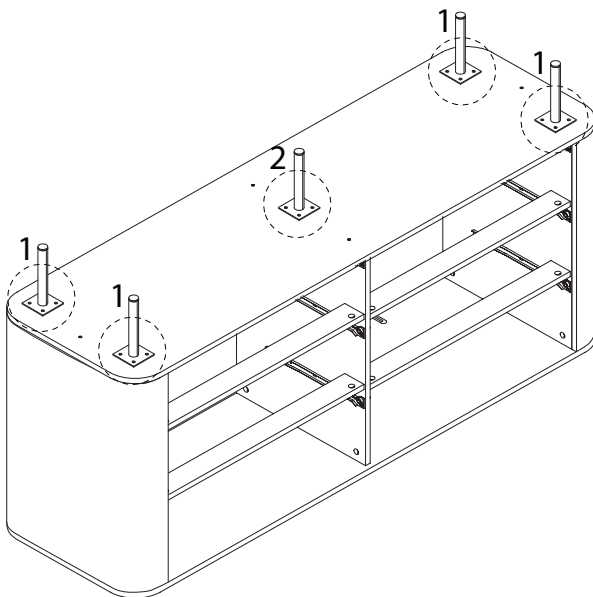


34

19
x 4

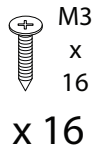
20
x 1

E
M4
x
14
x 20

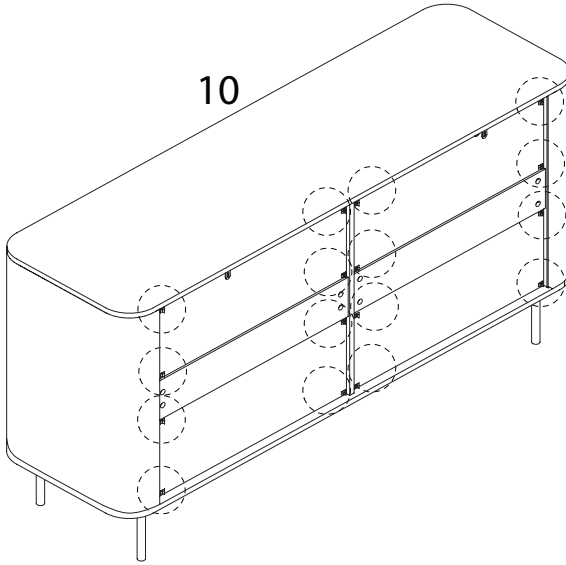


35

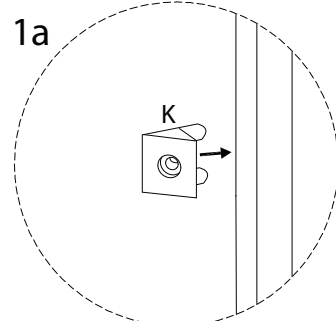
J



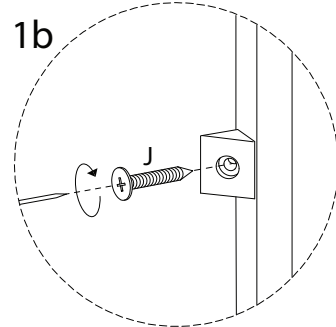
K



1a

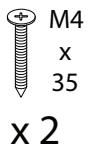


1b

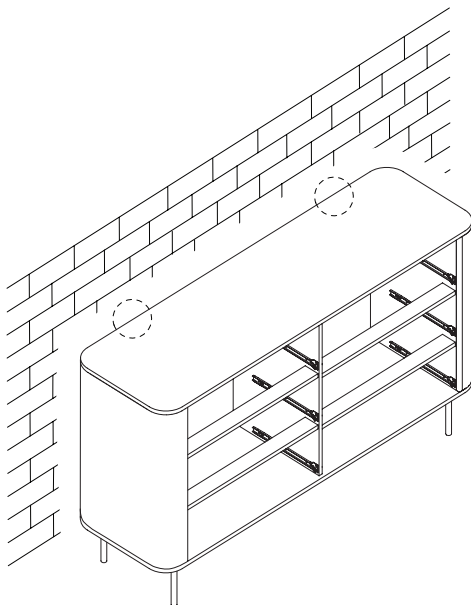


36

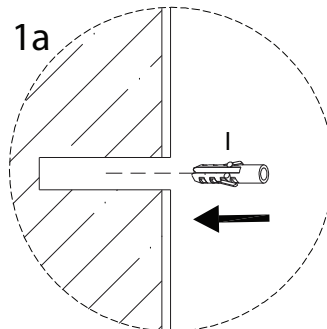
D



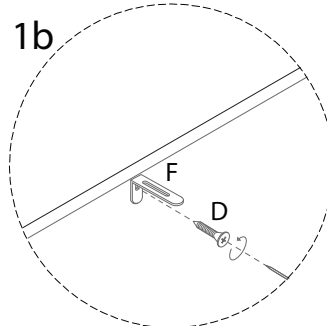
I



1a



1b



37

