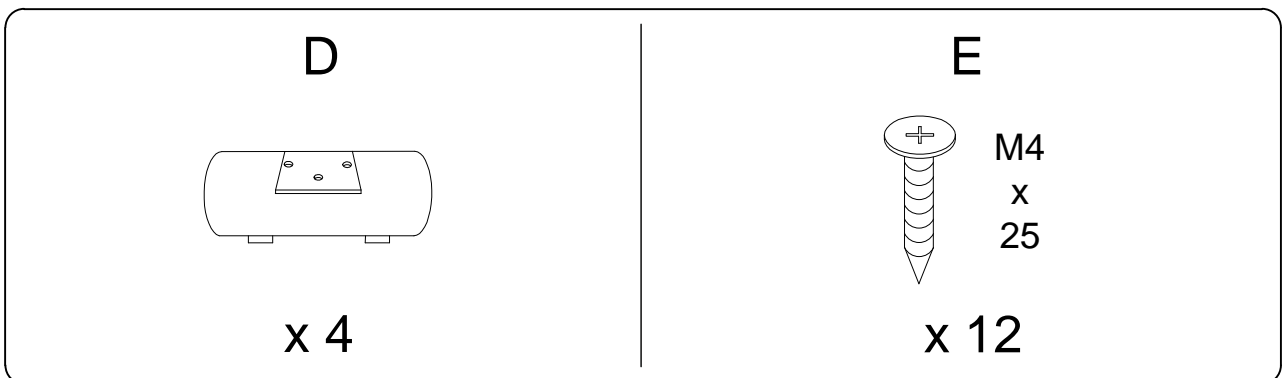
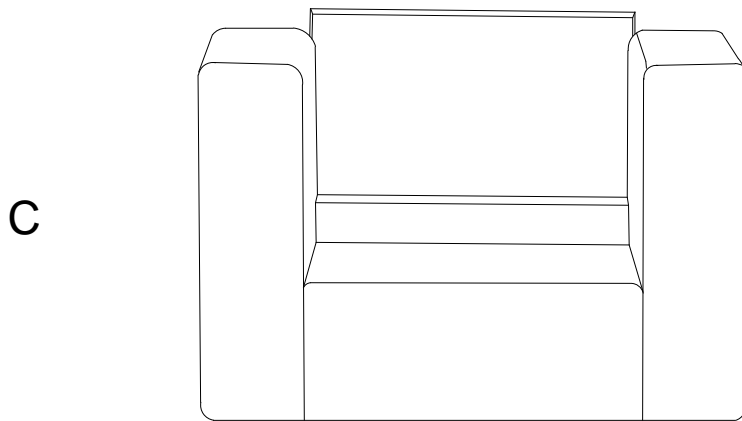
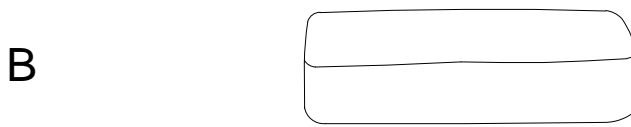
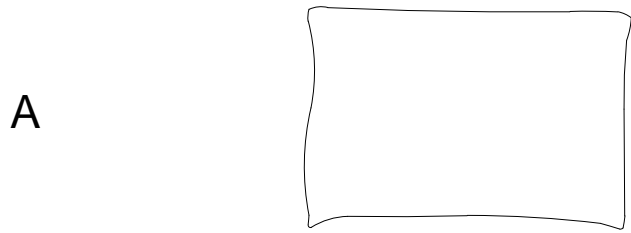
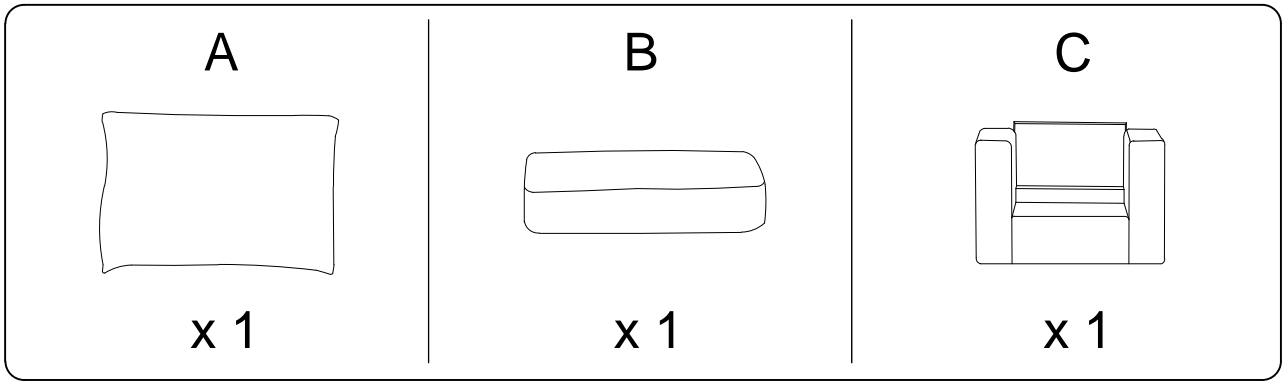
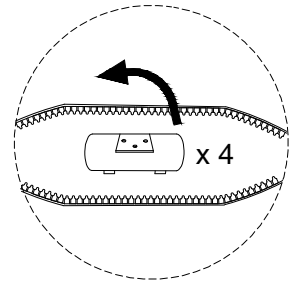
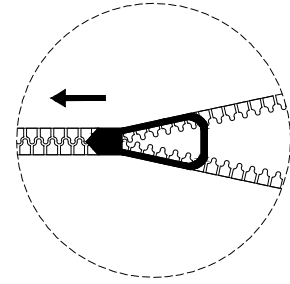
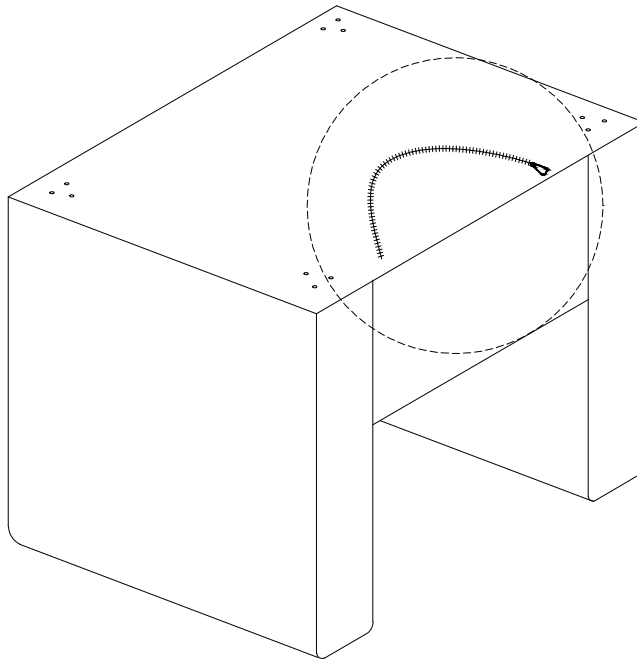


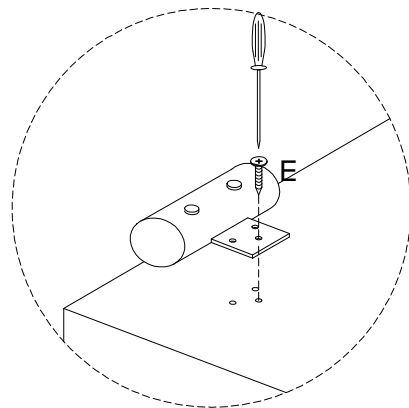
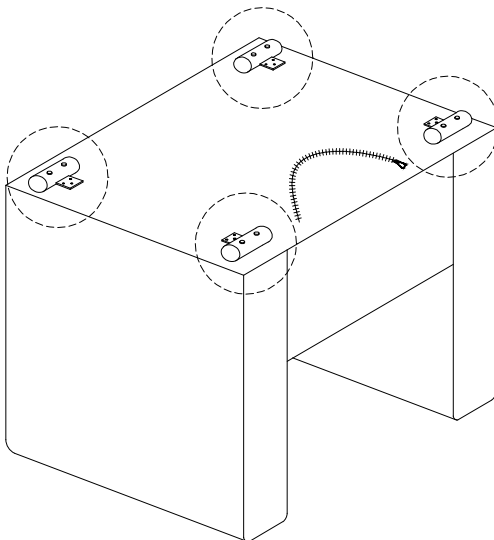
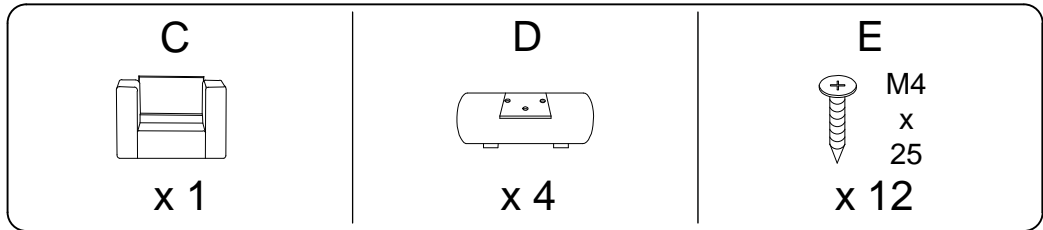
A rectangular box containing two icons: a screwdriver on the left and a power drill on the right. A diagonal line is drawn over the power drill icon. To the right of the box is a warning triangle containing an exclamation mark.	A simple line drawing of a clock face with tick marks and hands.
<p>15'</p>	
A rectangular box containing two icons: a cushion on the left and a wedge on the right. A diagonal line is drawn over the wedge icon. To the right of the box is a warning triangle containing an exclamation mark.	A simple line drawing of a person standing.
<p>1</p>	



1



2



3

