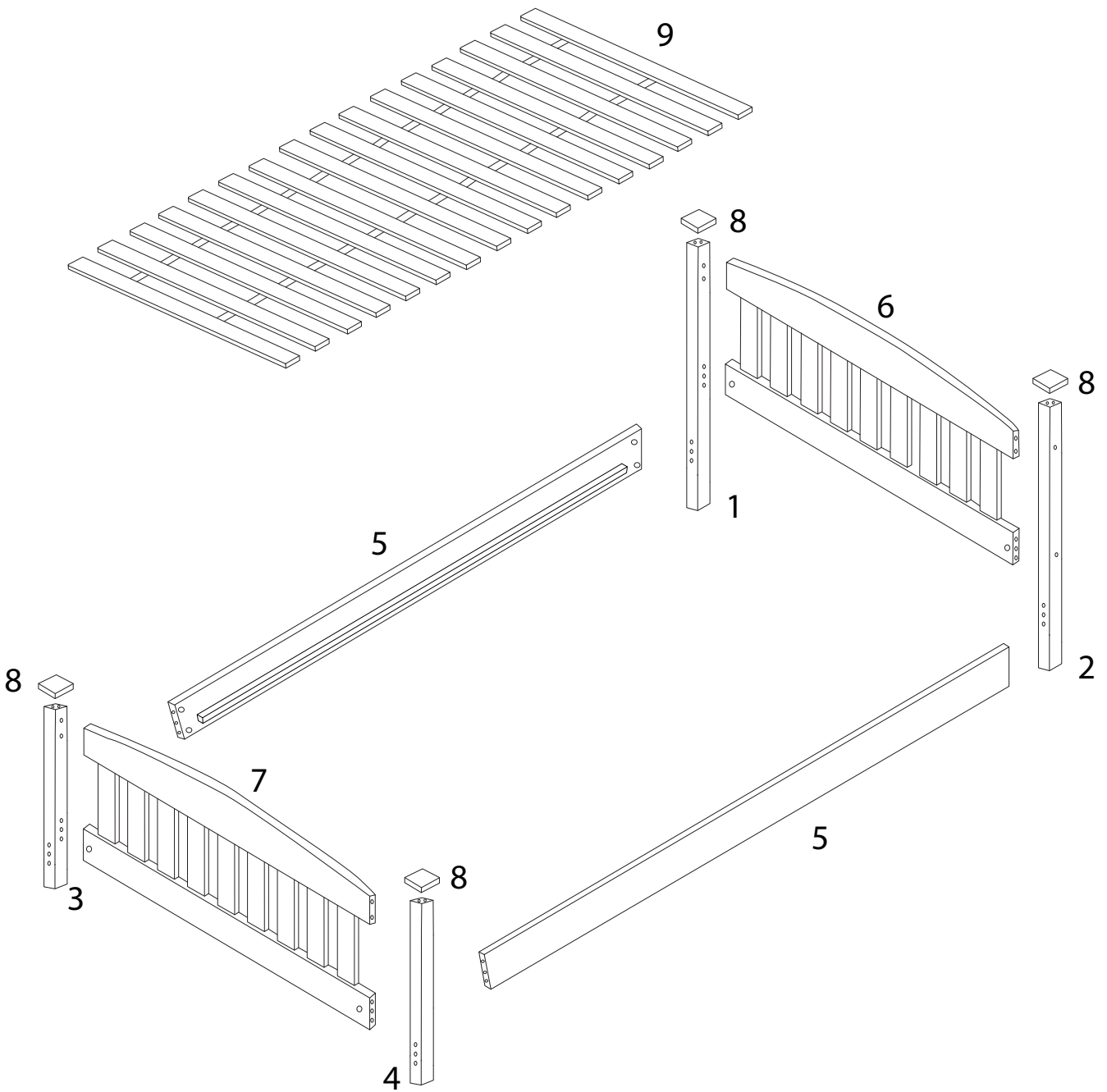
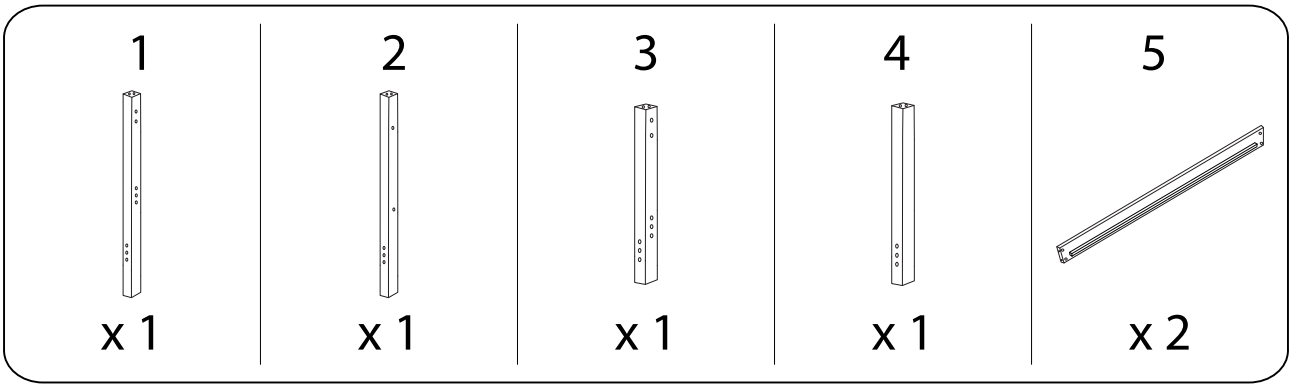
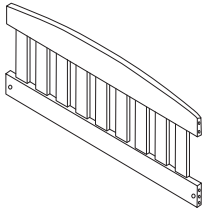


		2

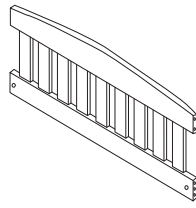


6



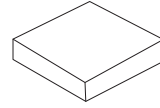
x 1

7



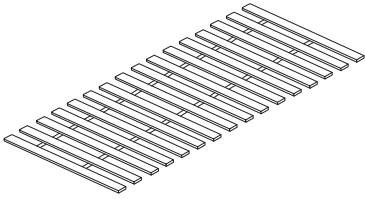
x 1

8



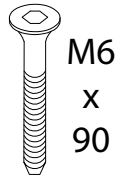
x 4

9



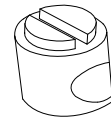
x 1

A



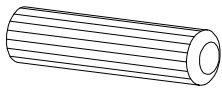
x 12

B



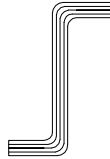
x 12

C



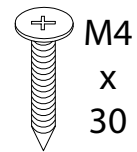
x 24

D



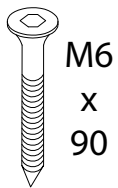
x 1

E



x 30

F



x 4

G



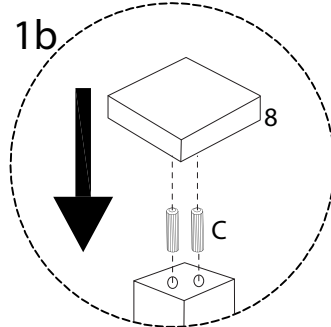
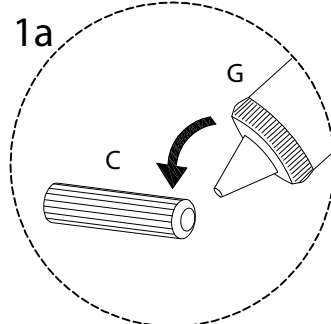
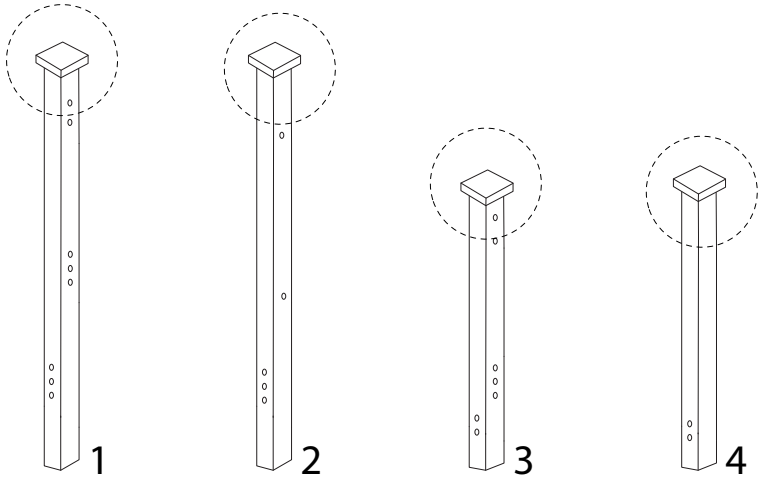
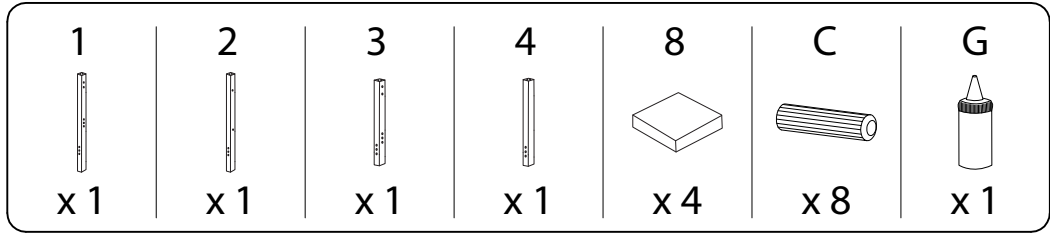
x 1

H

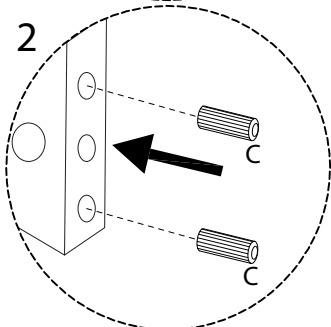
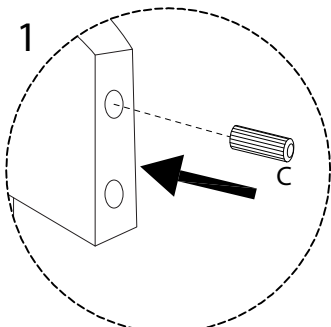
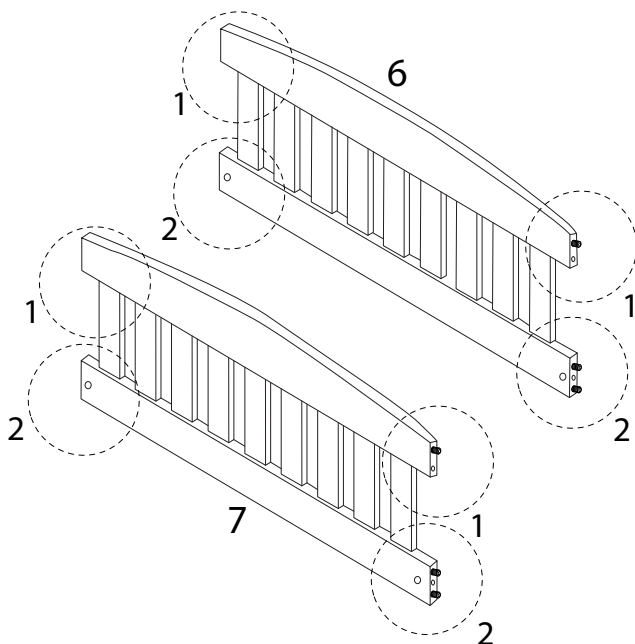
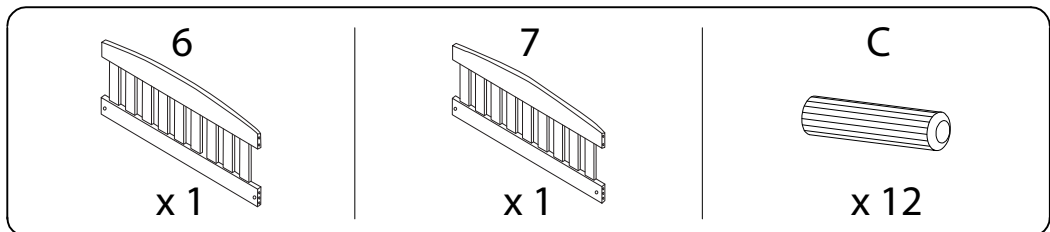


x 16

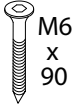

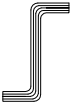
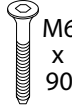
1

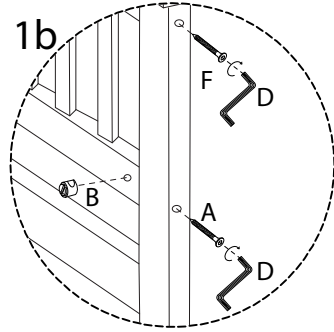
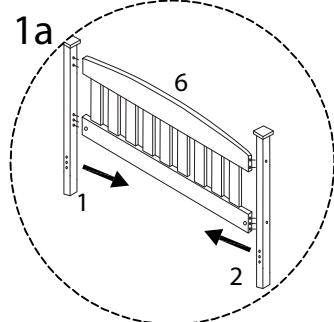
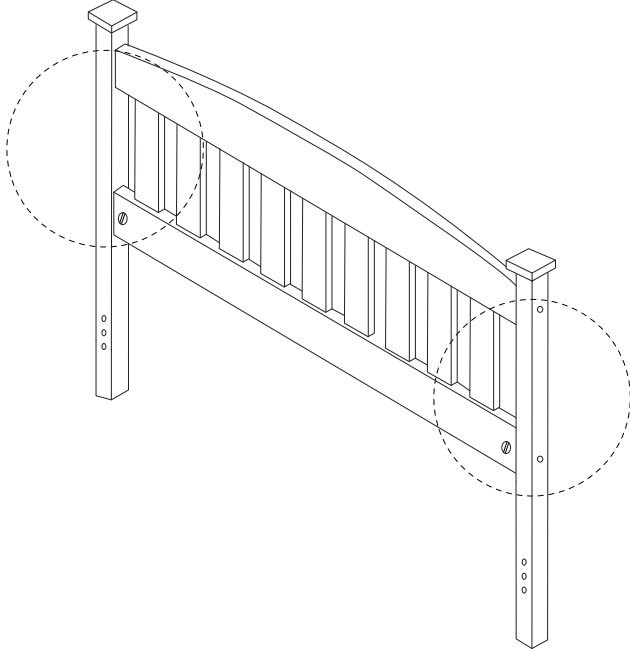


2

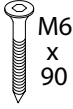

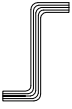
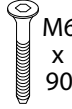


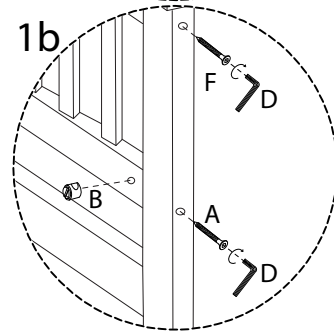
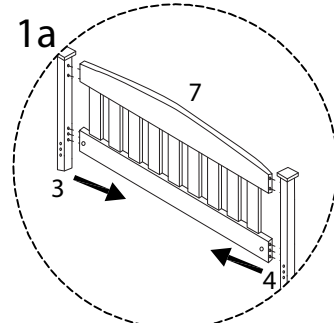
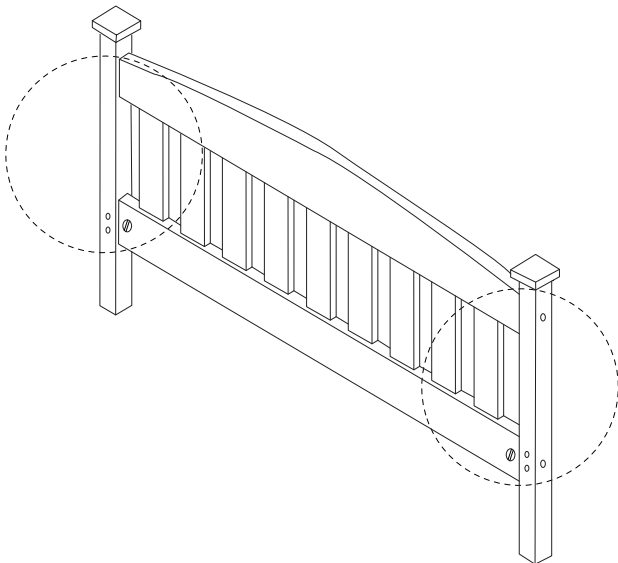
3

A  M6 x 90 x 2	B  x 2	D  x 1	F  M6 x 90 x 2
--------------------------------------------------------------------------------------------------------------------	------------------------------------------------------------------------------------------------------	-------------------------------------------------------------------------------------------------------	----------------------------------------------------------------------------------------------------------------------

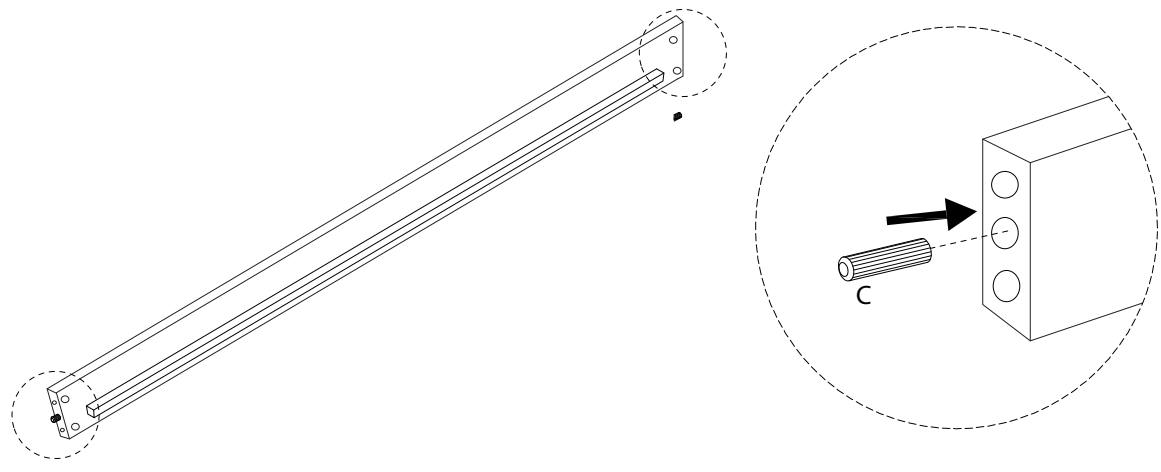
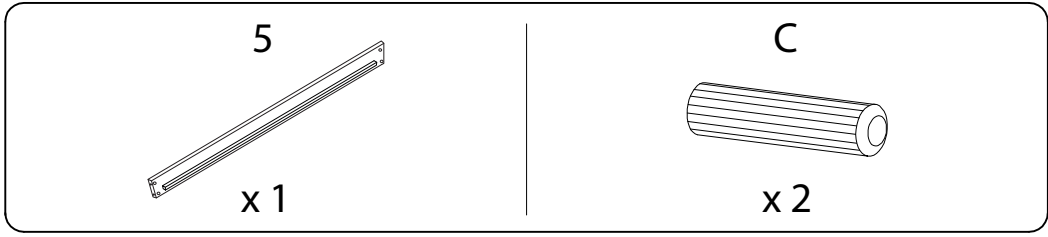


4

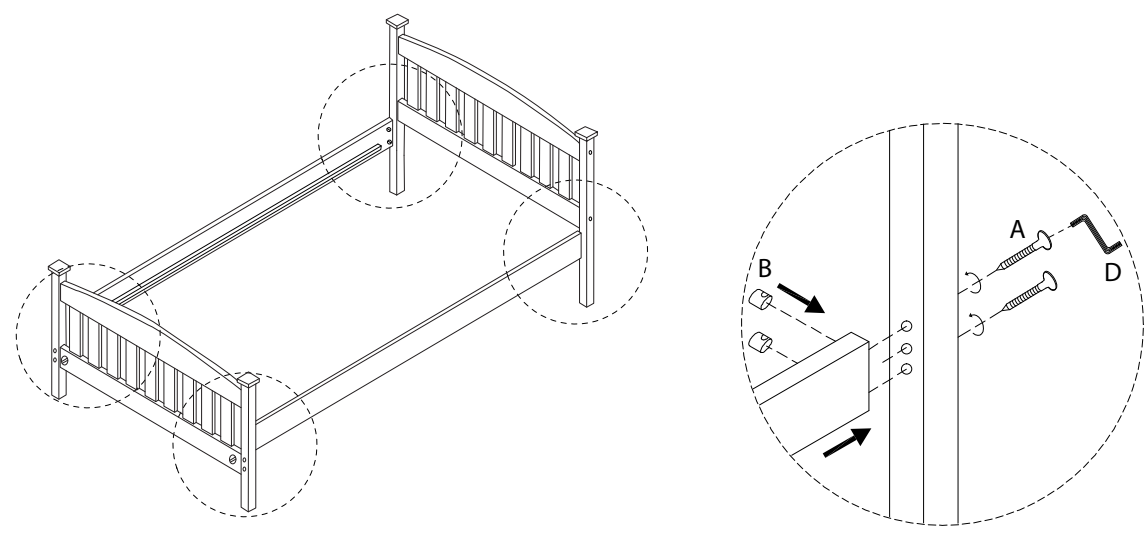
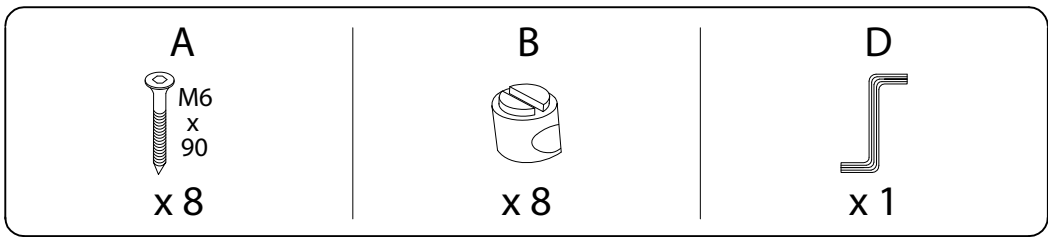
A  M6 x 90 x 2	B  x 2	D  x 1	F  M6 x 90 x 2
----------------------------------------------------------------------------------------------------------------------	--------------------------------------------------------------------------------------------------------	---------------------------------------------------------------------------------------------------------	------------------------------------------------------------------------------------------------------------------------



5x2



6



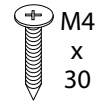
7

9

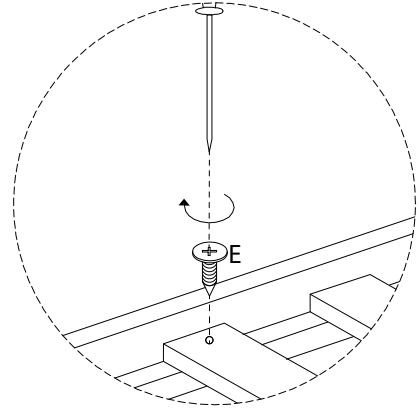
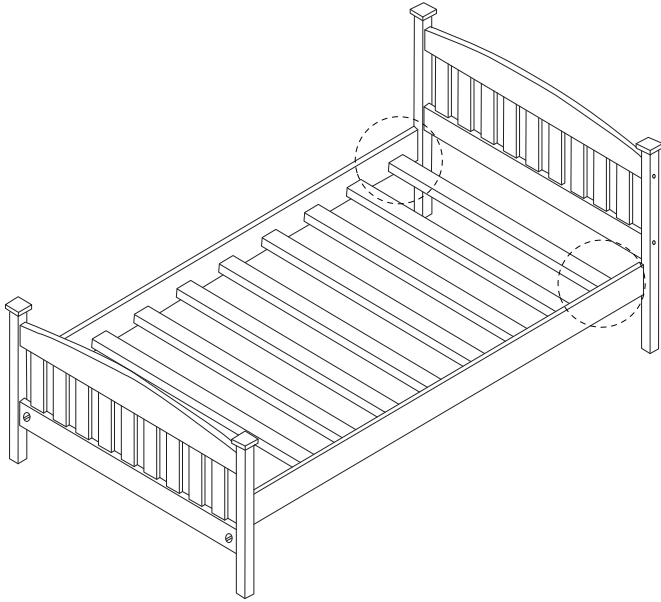


x 1

E



x 30



8

H



x 16

