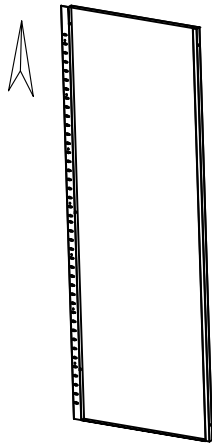
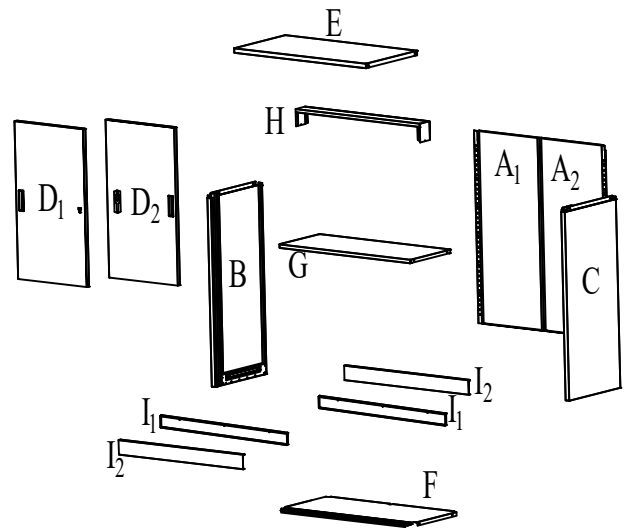
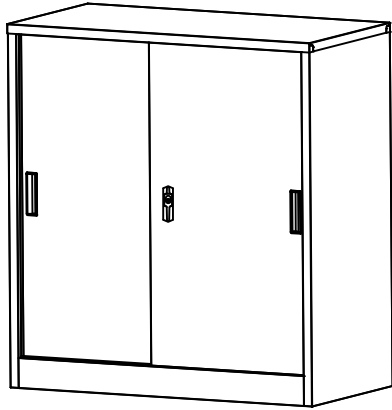
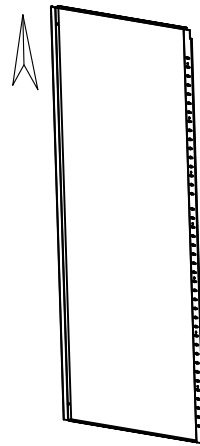


HDY-A02-900

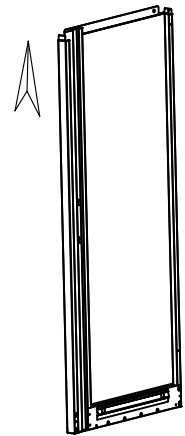
Aktenschrank mit Schiebetüren HWC-F41



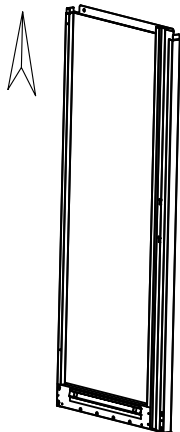
-A<sub>1</sub>  
-1 pcs  
-80×42.5cm  
-Name: back panel



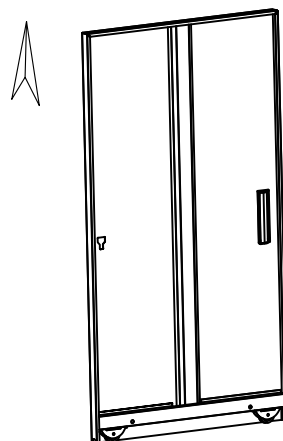
-A<sub>2</sub>  
-1 pcs  
-80×42.5cm  
-Name: back panel



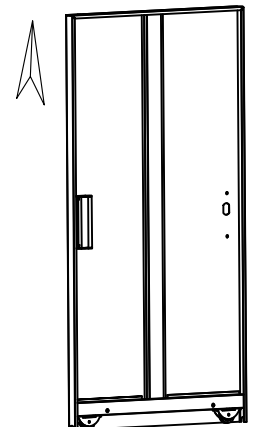
-B  
-1 pcs  
-89.9×45cm  
-Name: left side



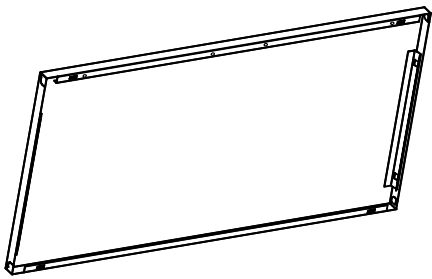
-C  
-1 pcs  
-89.9×45cm  
-Name: right side



-D<sub>1</sub>  
-1 pcs  
-80.4×46.6cm  
-Name: Door



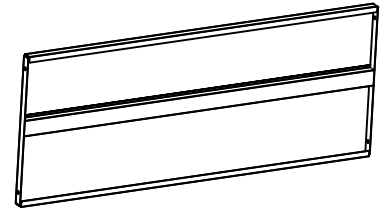
-D<sub>2</sub>  
-1 pcs  
-80.4×46.6cm  
-Name: Door



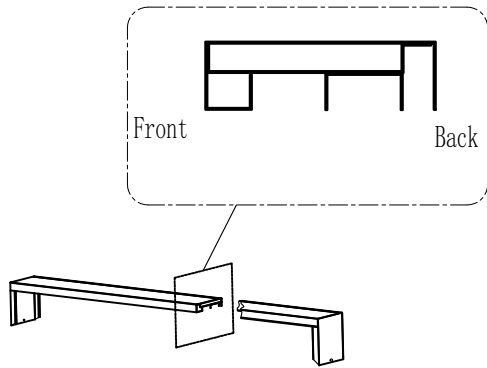
-E  
 -1 pcs  
 -90×45cm  
 -Name: Top



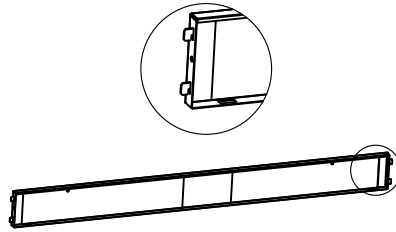
-F  
 -1 pcs  
 -85×42cm  
 -Name: Bottom



-G  
 -1 pcs  
 -89.7×35.5cm  
 -Name: layer shelf



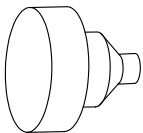
-H  
 -1 pcs  
 -89.4×14.5cm  
 -Name: top supporting



-I<sub>1</sub>  
 -2 pcs  
 -86.8×7.8cm  
 -Name: base inner panel



-I<sub>2</sub>  
 -2 pcs  
 -85×8cm  
 -Name: base outer panel



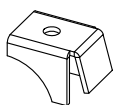
-J  
 -2 pcs  
 -cm  
 -Name: magnet holder



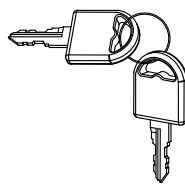
-K  
 -2 pcs  
 -cm  
 -Name: magnet



-L  
 -18 pcs  
 -0.4×0.8 cm  
 -Name: screws

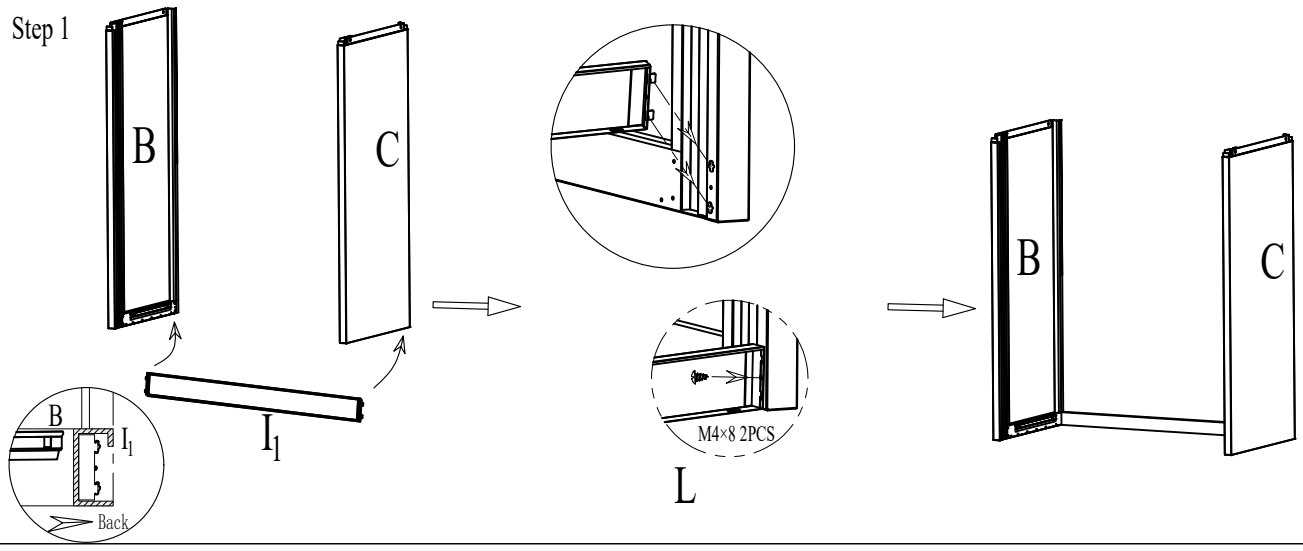


-M  
 -4 pcs  
 -cm  
 -Name: layer shelf holder



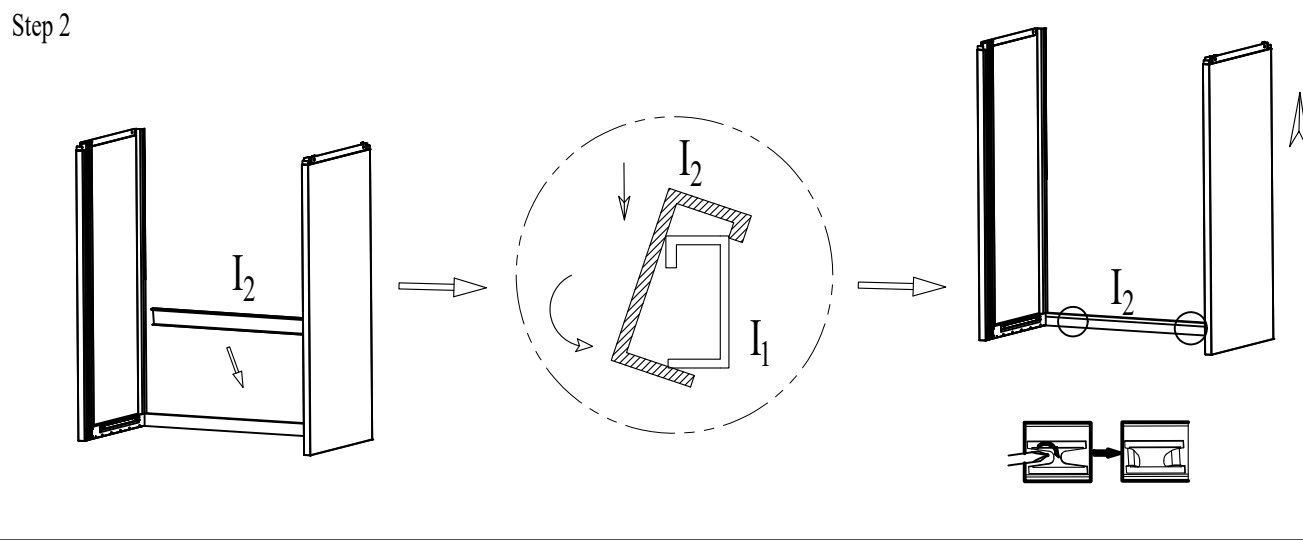
-N  
 -1 pcs  
 -cm  
 -Name: lock with 2 keys

Step 1



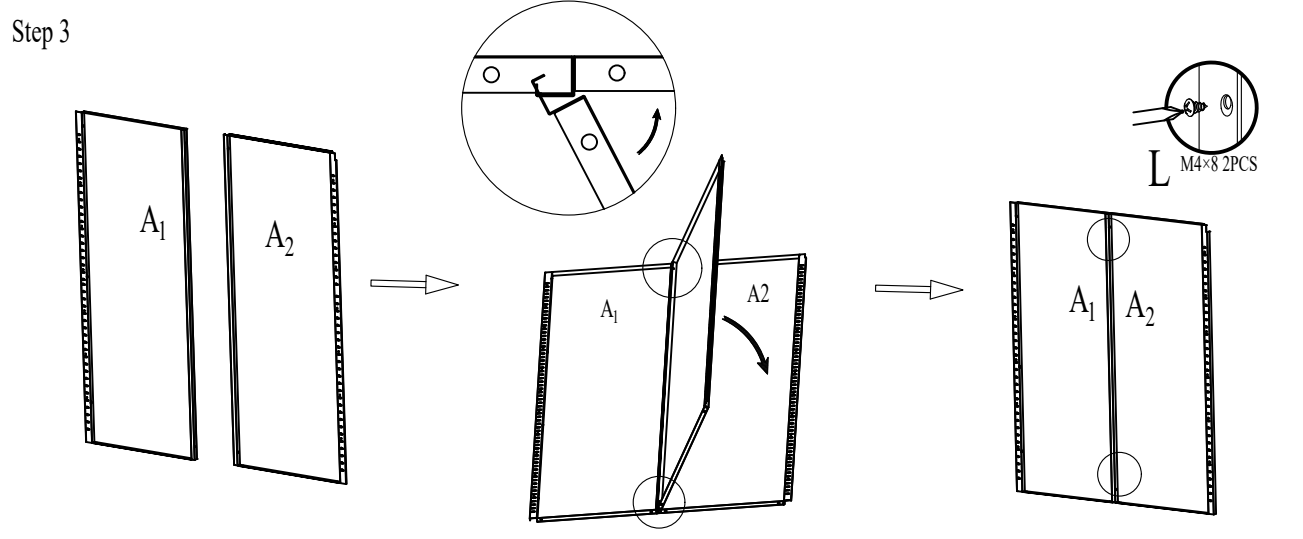
Need	
Part B	1PCS
Part C	1PCS
Part I <sub>1</sub>	1PCS
Part L	2PCS

Step 2



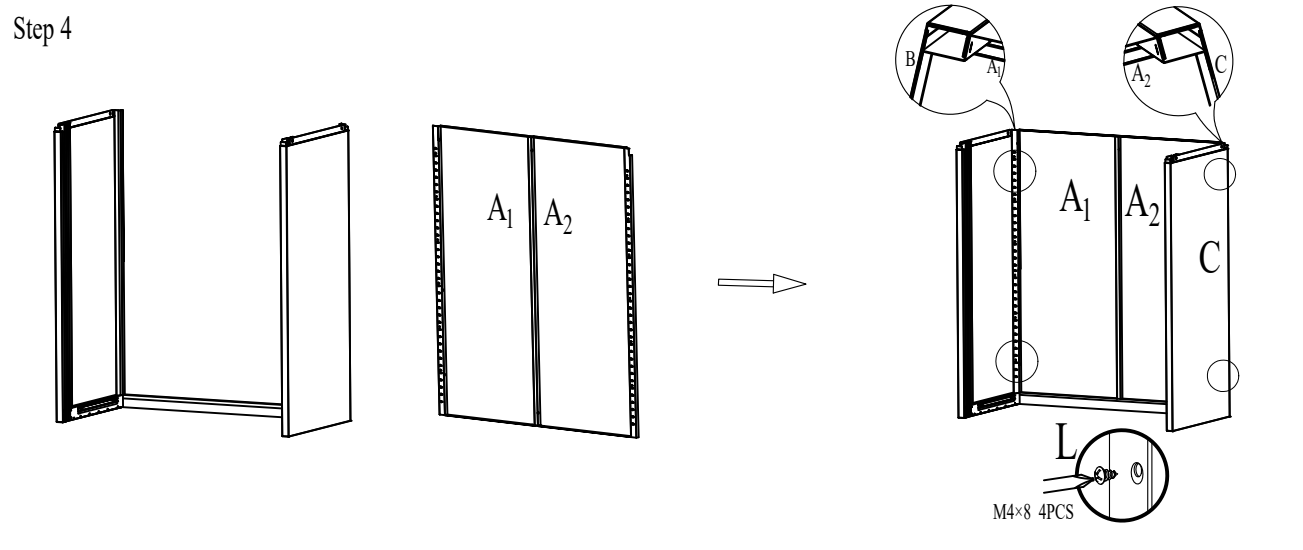
Need	
Part I <sub>2</sub>	1PCS

Step 3



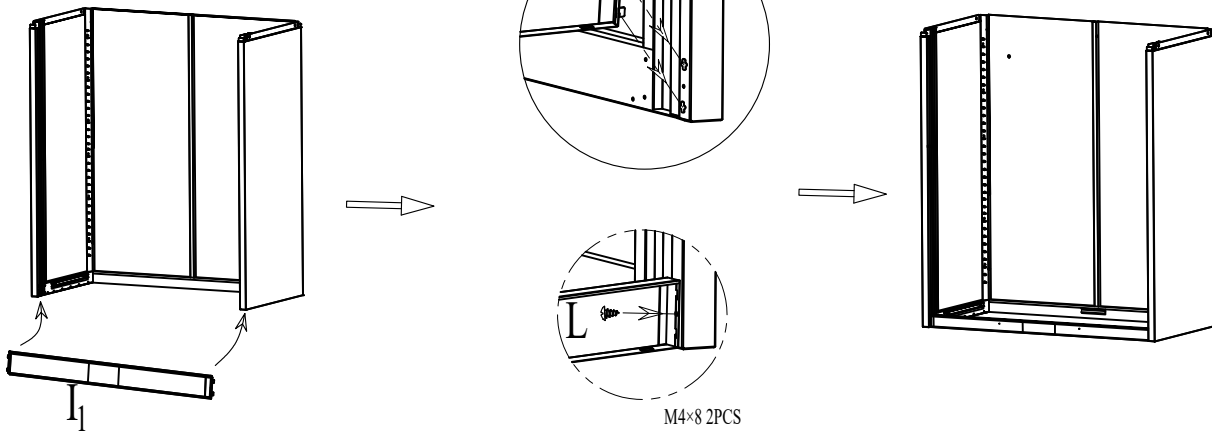
Need	
Part A <sub>1</sub>	1PCS
Part A <sub>2</sub>	1PCS
Part L	2PCS

Step 4



Need	
Part L	4PCS

Step 5

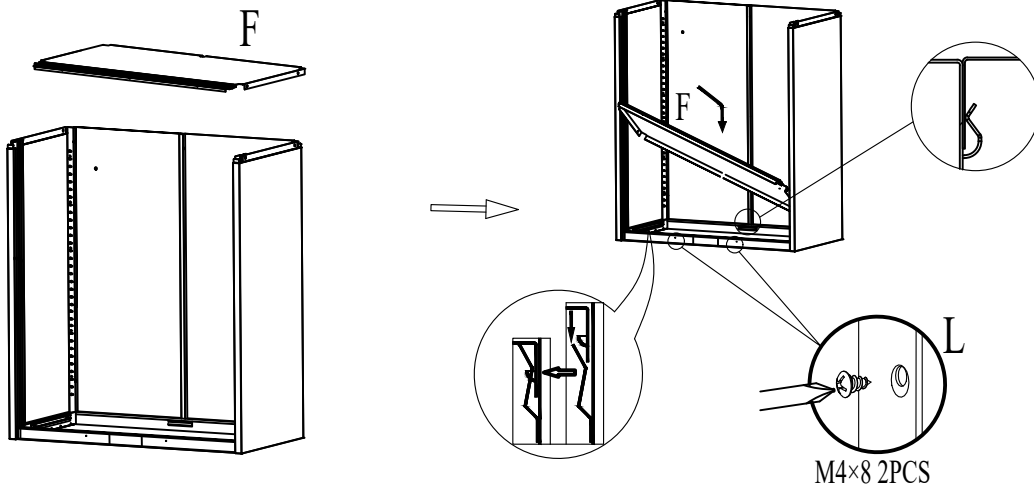


Need



Part L 2PCS  
Part I<sub>1</sub> 1PCS

Step 6

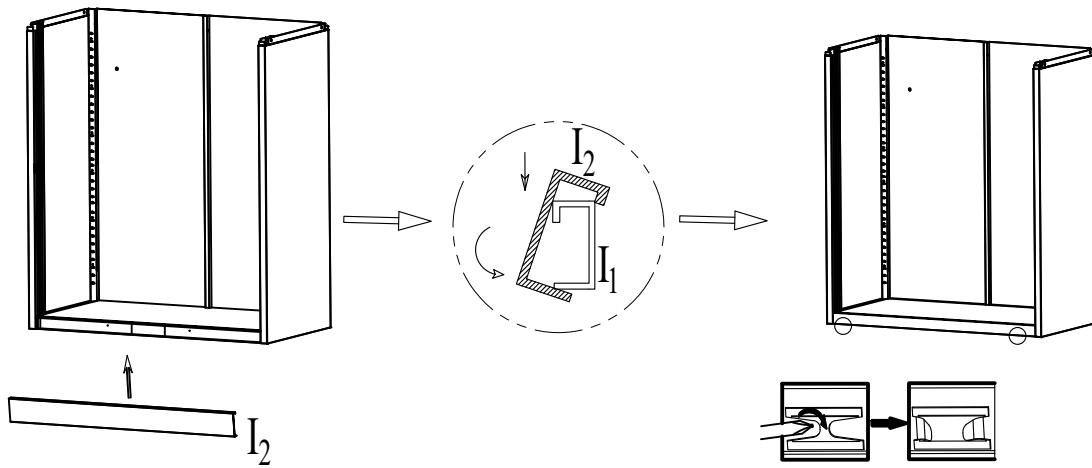


Need



Part F 1PCS  
Part L 2PCS

Step 7

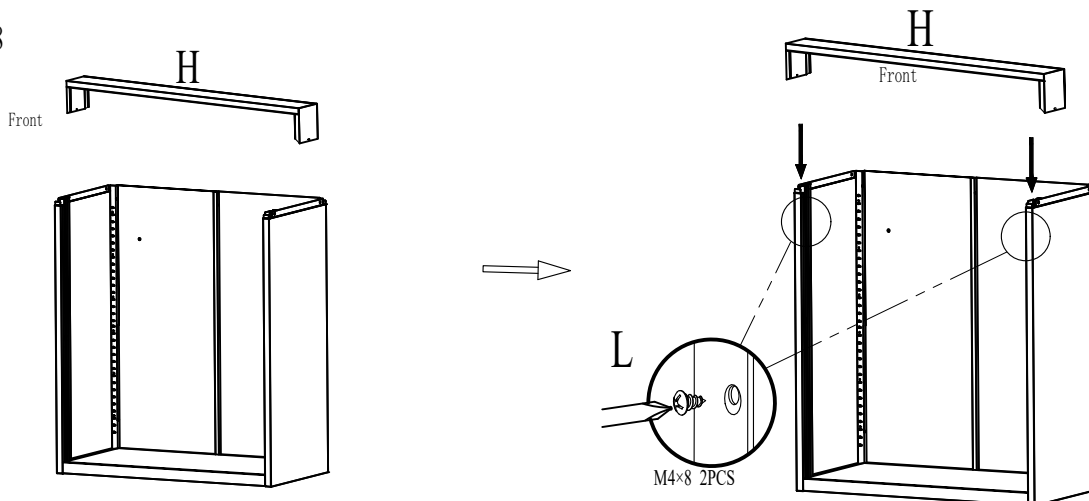


Need

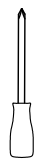


Part I<sub>2</sub> 1PCS

Step 8

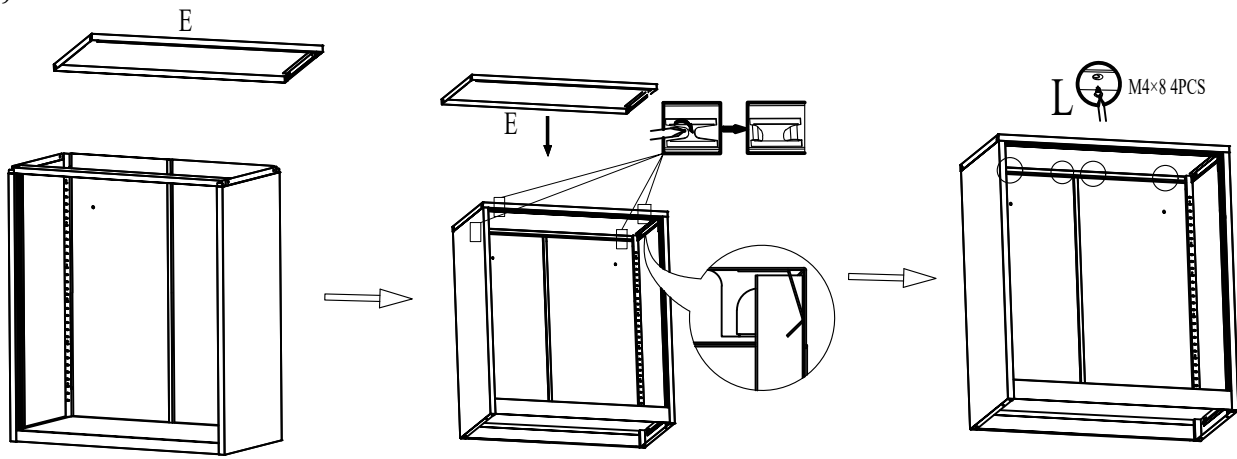


Need



Part H 1PCS  
Part L 2PCS

Step 9

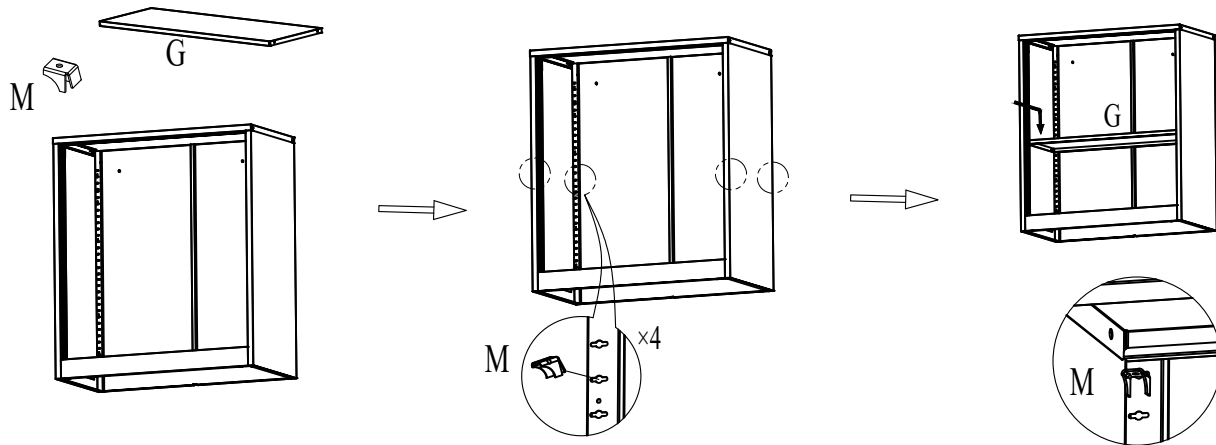


Need



Part E 1PCS  
Part L 4PCS

Step 10

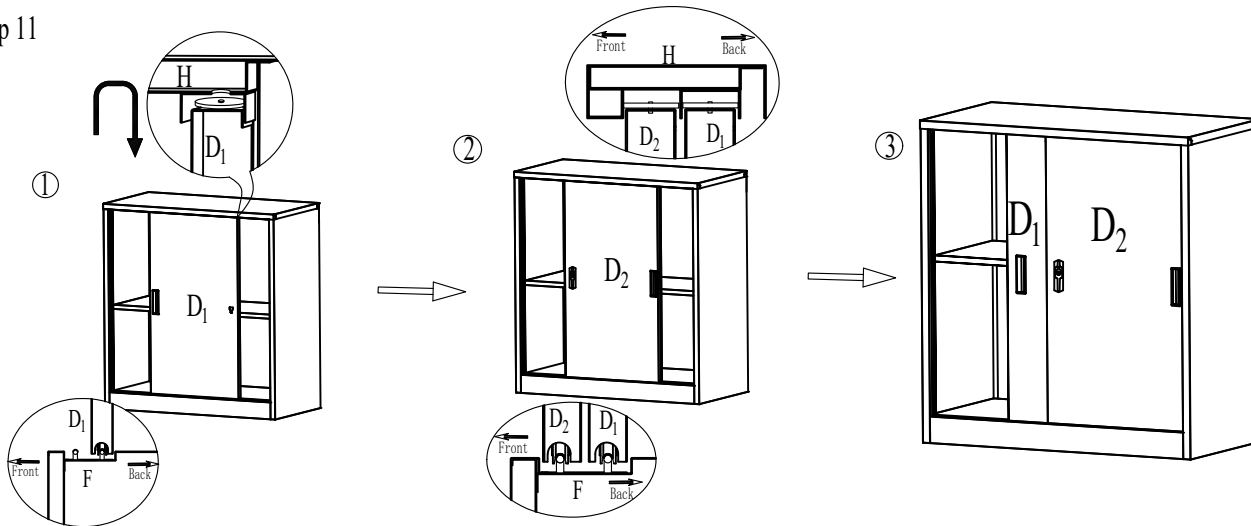


Need



Part G 1PCS  
Part M 4PCS

Step 11

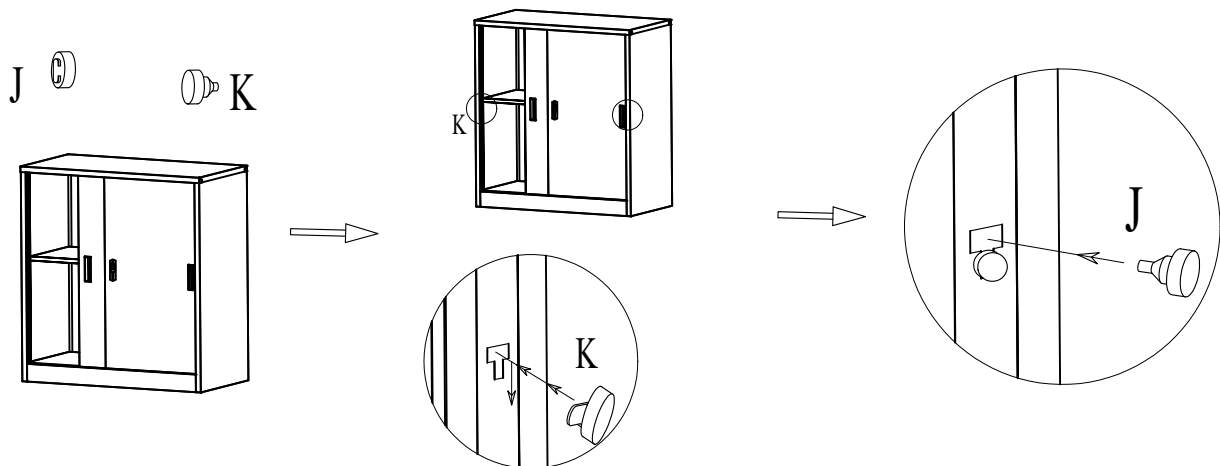


Need



Part D<sub>1</sub> 1PCS  
Part D<sub>2</sub> 1PCS

Step 12



Need



Part J 1PCS  
Part K 1PCS