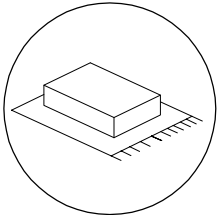
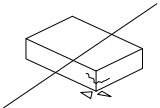
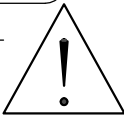

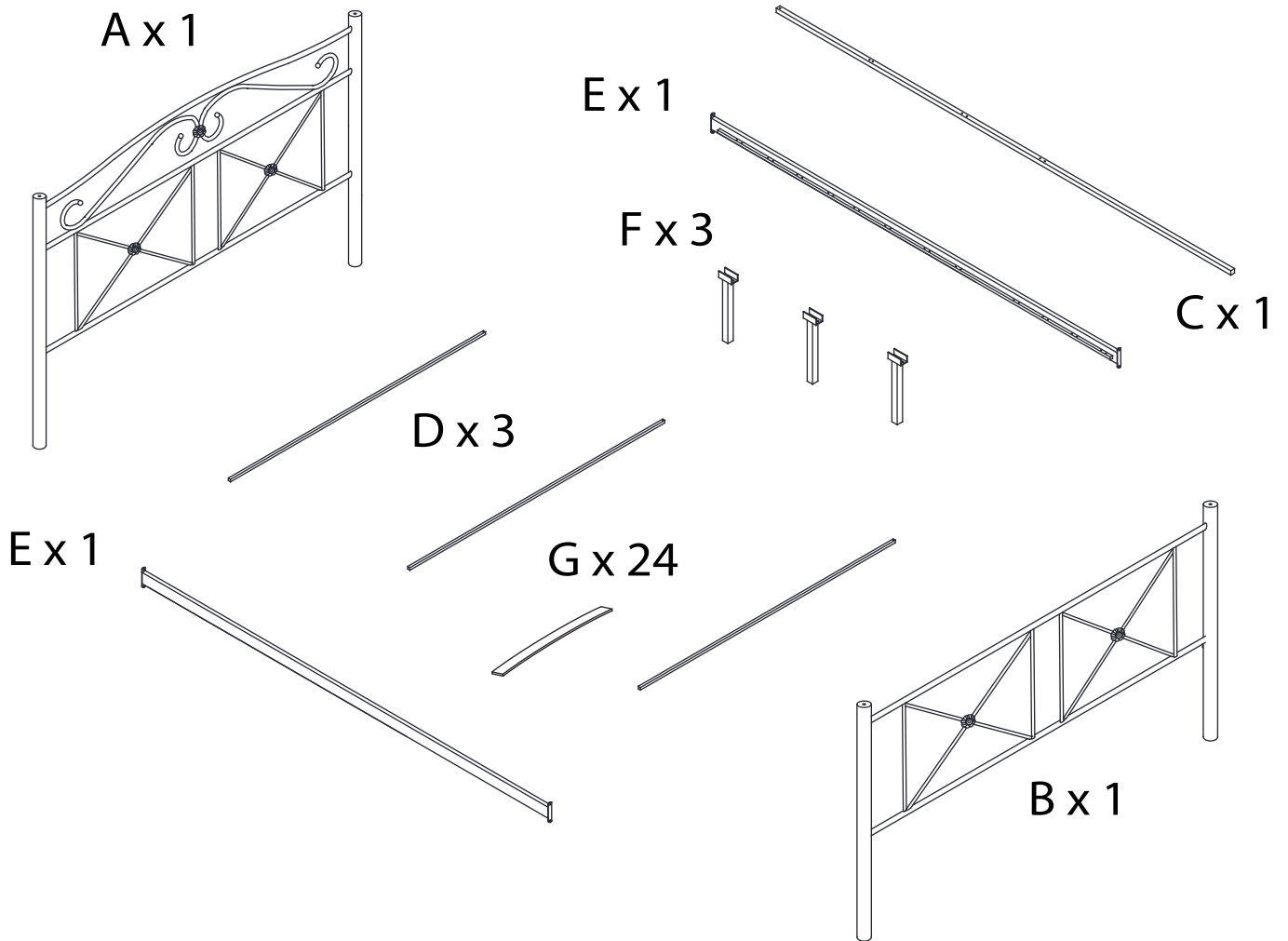
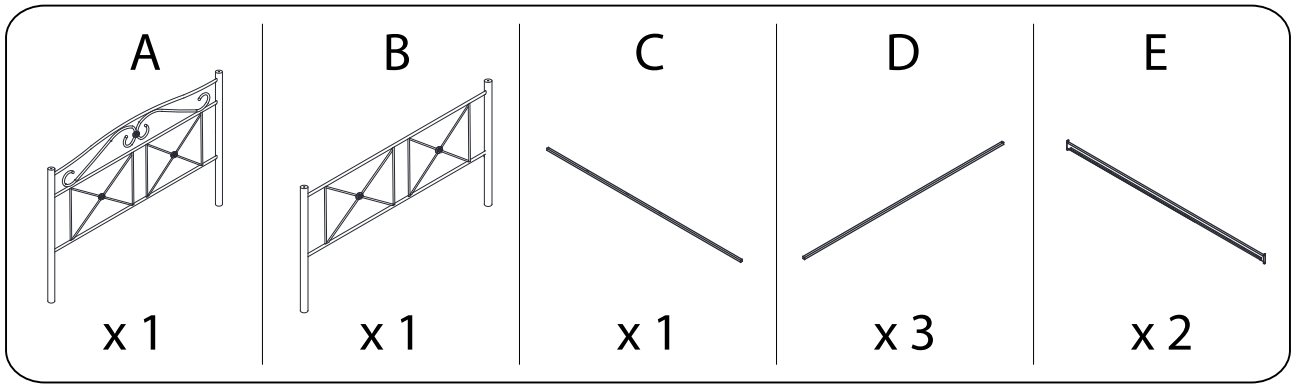

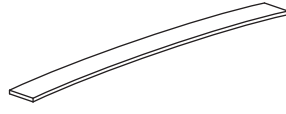
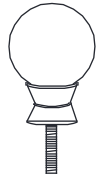
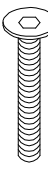

		45'
 		
		2

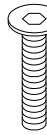


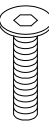
F

x 3

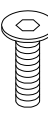
G

x 24

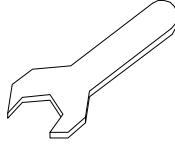
H

x 4


I

M6
x
55
x 3

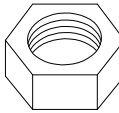
J

M6
x
45
x 6

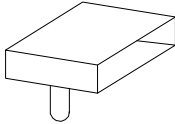
K

M6
x
35
x 5

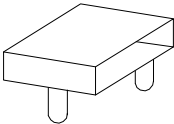
L

M6
x
20
x 4

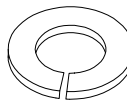
M

x 1

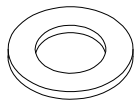
N

x 1

O

x 16

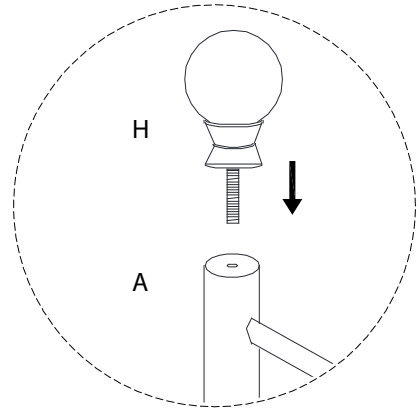
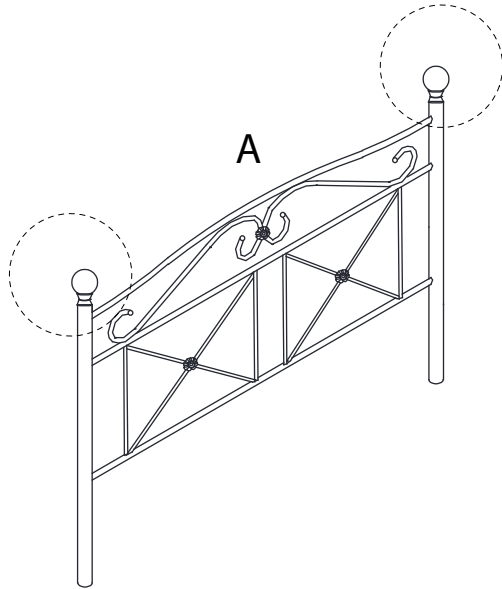
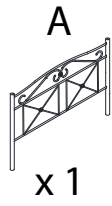
P

x 12

Q

x 24

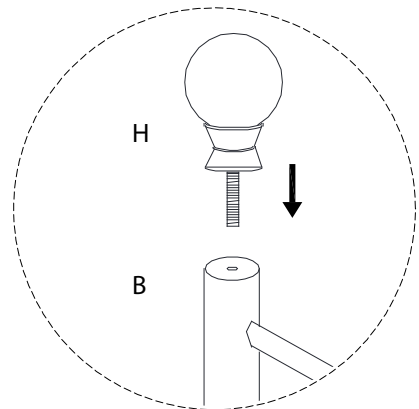
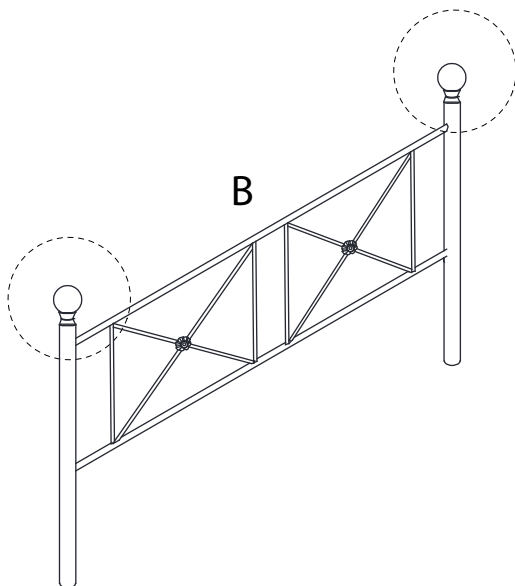
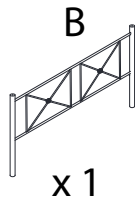
R

x 4

S

x 18


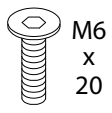

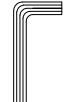
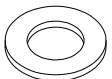
1

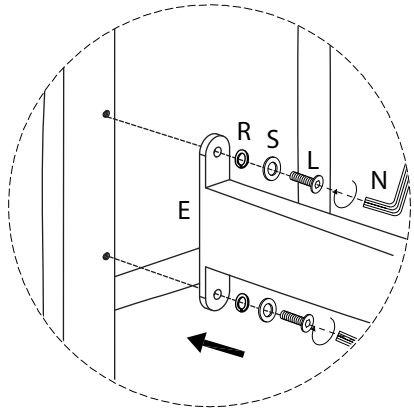
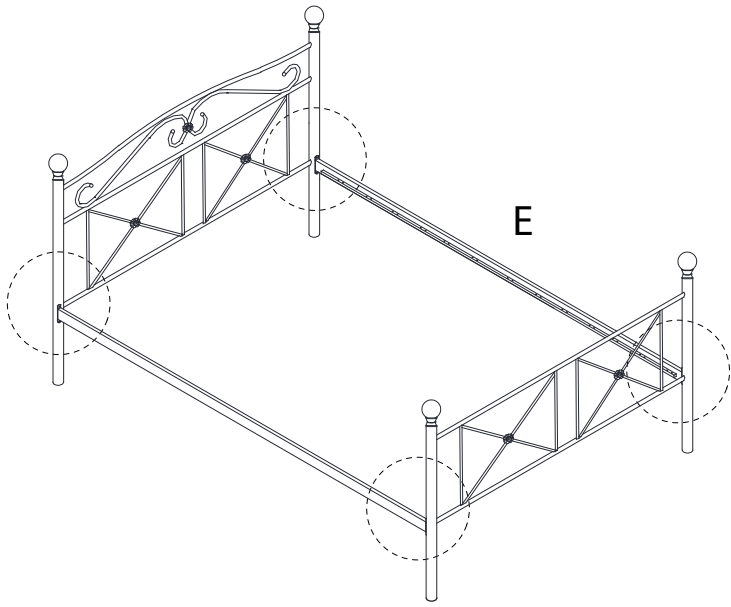


2


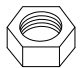
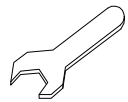

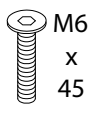


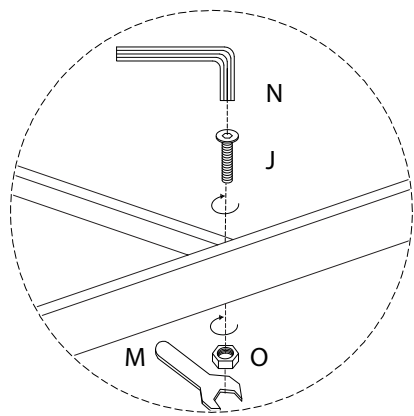
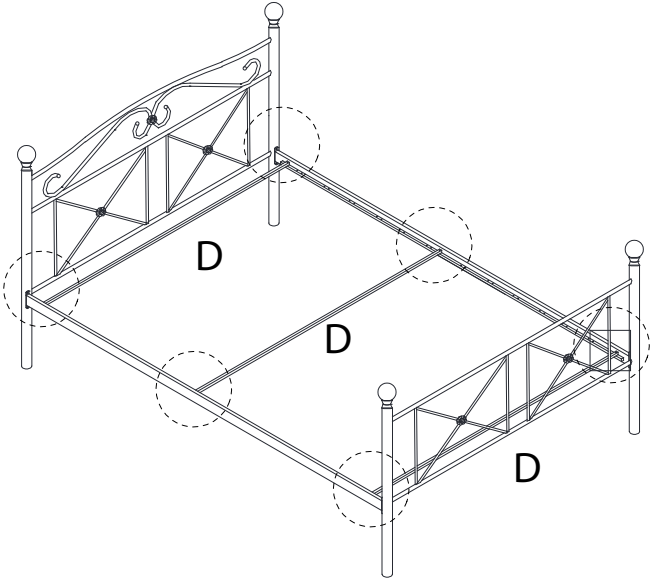
3

<p>E</p>  <p>x 2</p>	<p>L</p>  <p>M6 x 20 x 8</p>	<p>R</p>  <p>x 8</p>	<p>N</p>  <p>x 1</p>	<p>S</p>  <p>x 8</p>
---	---	---	---	---


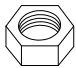
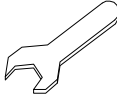
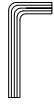
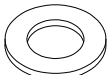
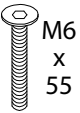


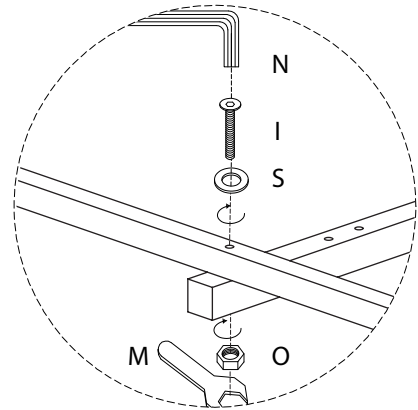
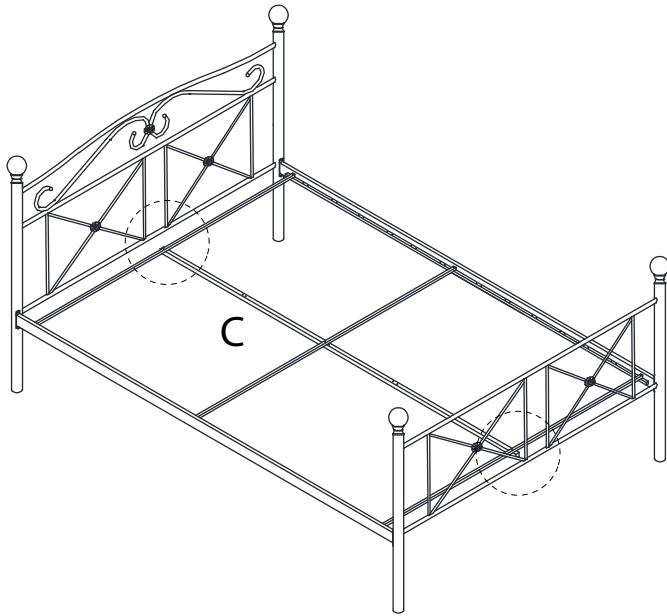
4

<p>D</p>  <p>x 3</p>	<p>O</p>  <p>x 6</p>	<p>M</p>  <p>x 1</p>	<p>N</p>  <p>x 1</p>	<p>J</p>  <p>M6 x 45 x 6</p>
---	---	---	---	---


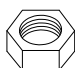

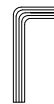

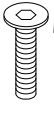
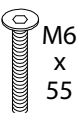


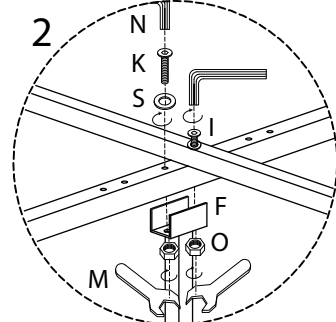
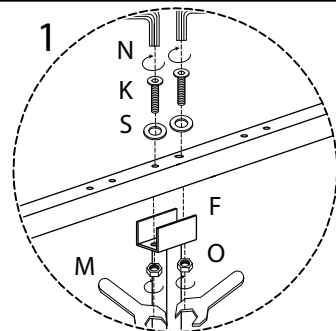
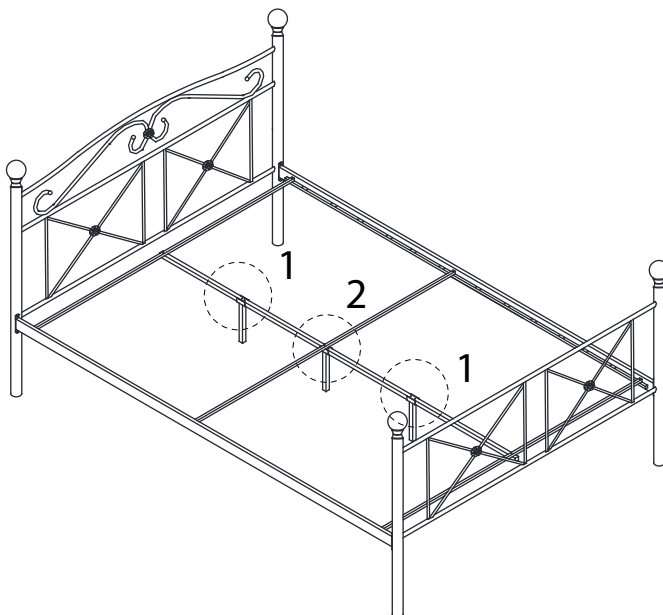
5

C	O	M	N	S	I
					
x 1	x 2	x 1	x 1	x 2	x 2

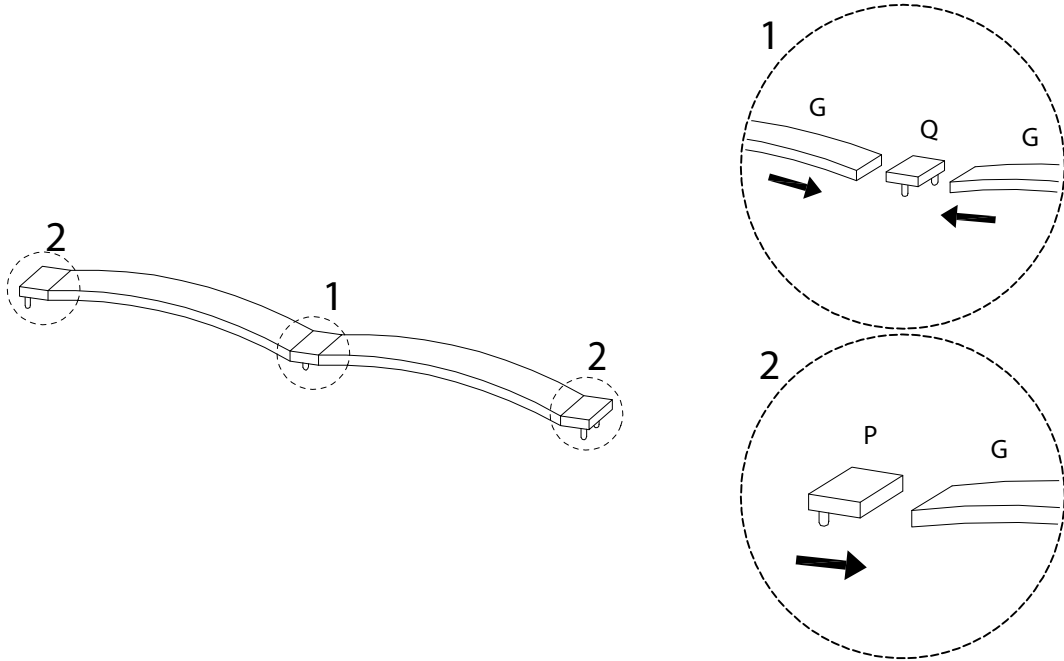
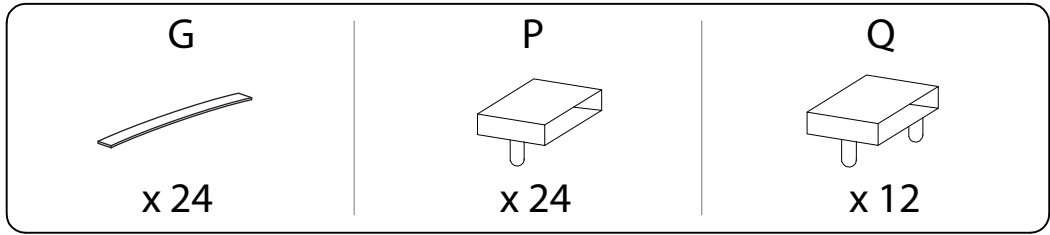


7

F	O	M	N	S	K	I
						
x 3	x 6	x 1	x 1	x 6	x 5	x 1



8



9

