
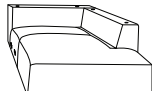
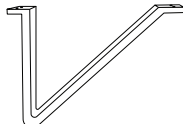
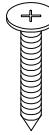
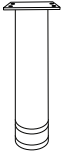
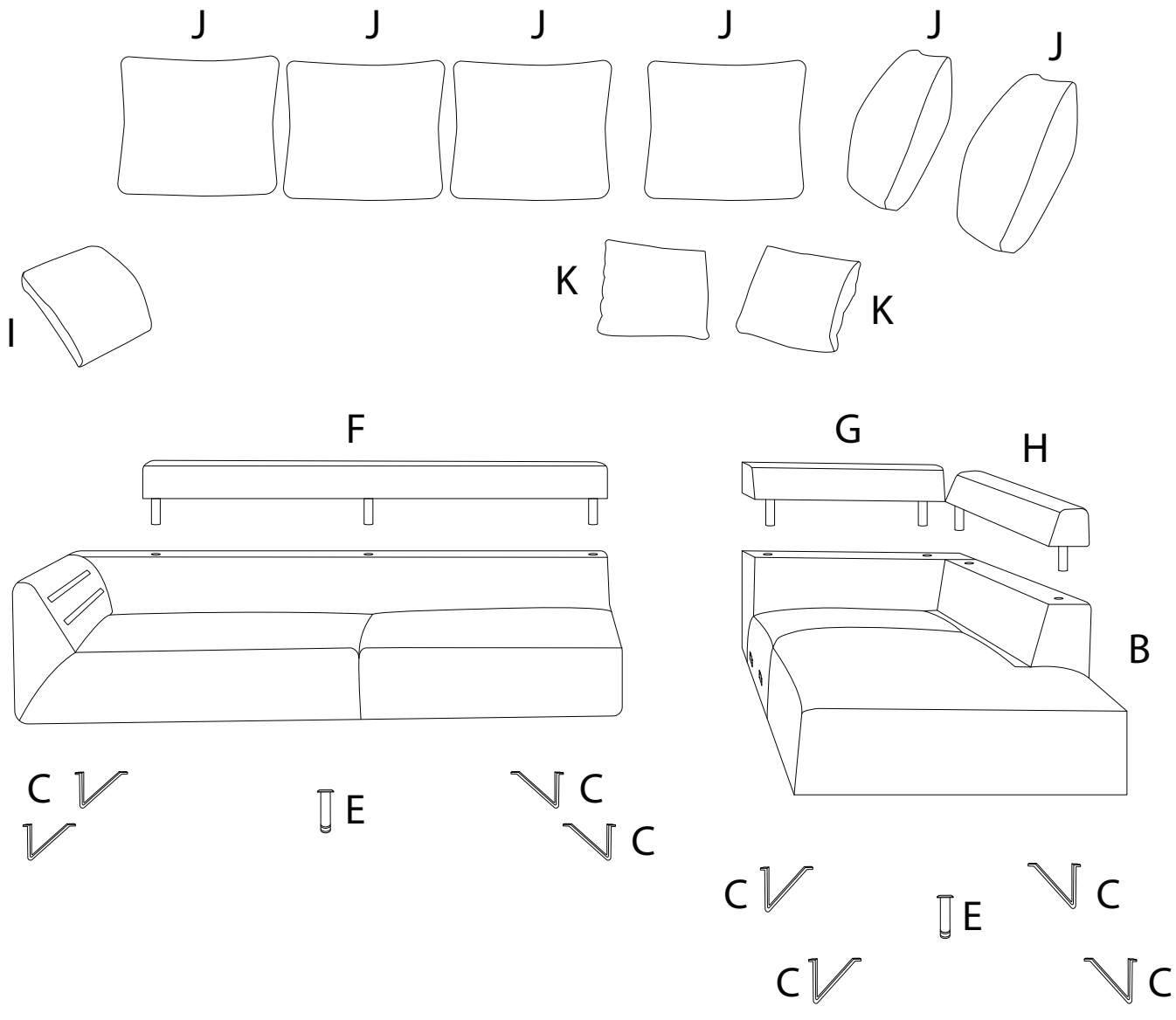


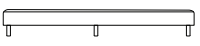

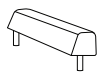
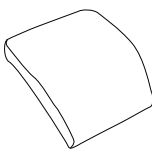
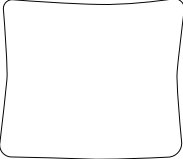
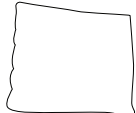
Assembly instructions for step 1/8:

- Tools: A screwdriver is shown as the required tool. A power drill is shown with a diagonal line through it, indicating it is not to be used.
- Warning: A warning triangle with an exclamation mark is present.
- Time: A clock icon indicates a 20-minute assembly time.
- Personnel: An icon of a person indicates that 2 people are required for assembly.

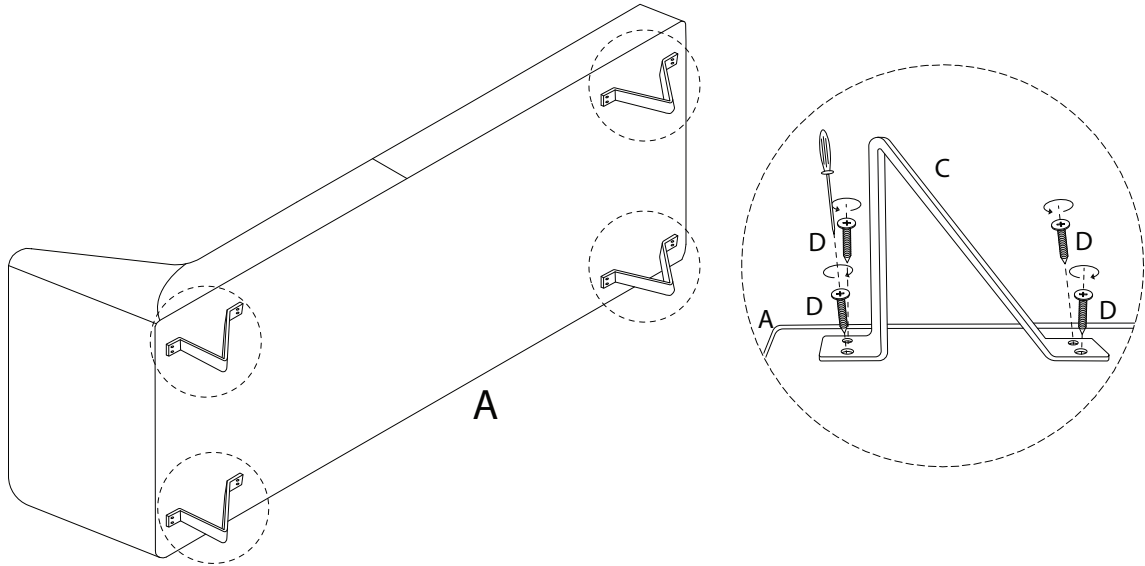
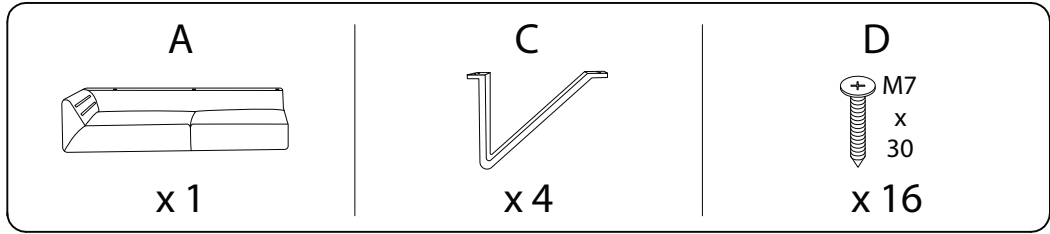
1/8

<b>A</b>	<b>B</b>	<b>C</b>	<b>D</b>	<b>E</b>
			 M7 x 30	
<b>x 1</b>	<b>x 1</b>	<b>x 8</b>	<b>x 40</b>	<b>x 2</b>

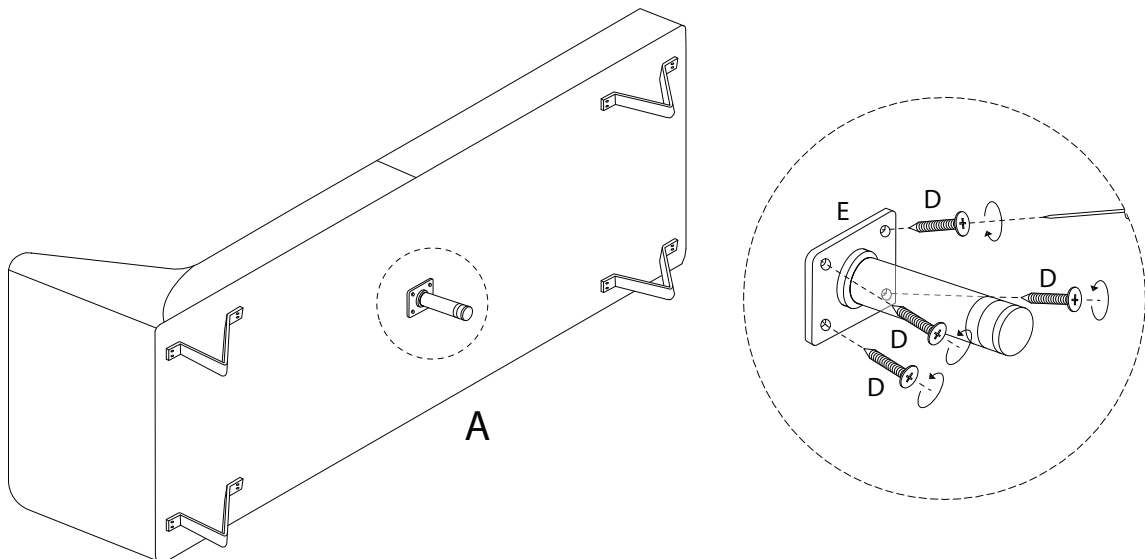
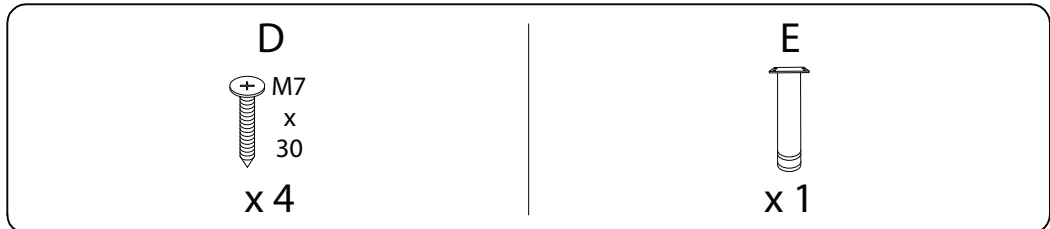


<b>F</b>	<b>G</b>	<b>H</b>	<b>I</b>	<b>J</b>	<b>K</b>
					
<b>x 1</b>	<b>x 1</b>	<b>x 1</b>	<b>x 1</b>	<b>x 6</b>	<b>x 2</b>

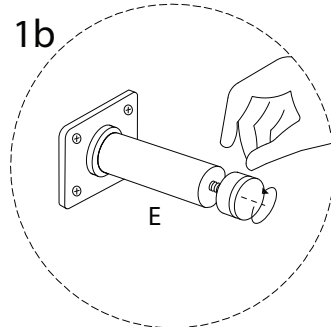
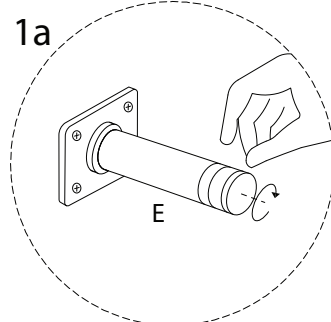
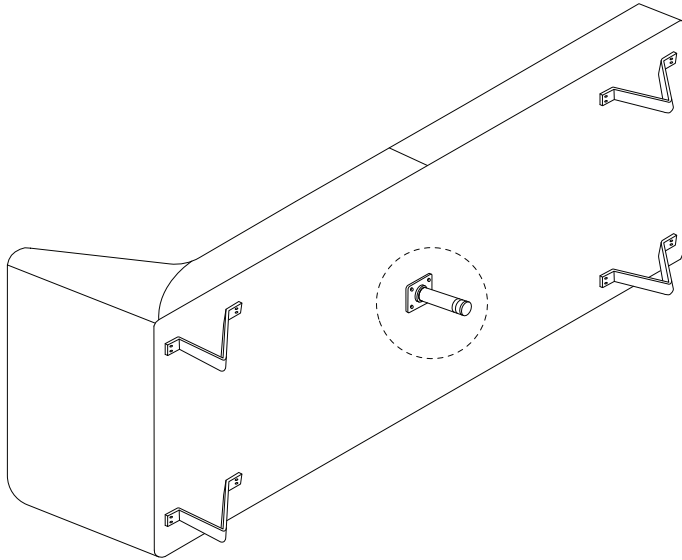
1



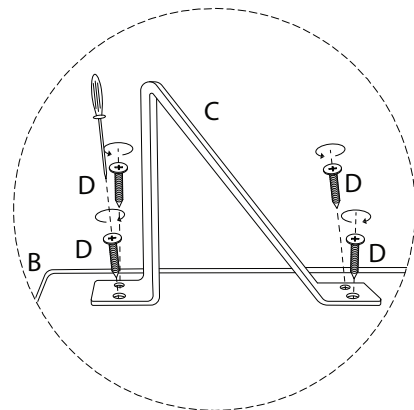
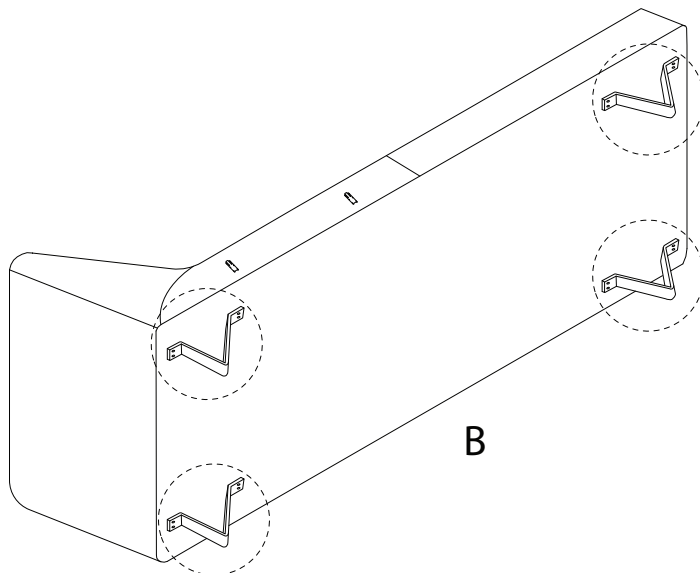
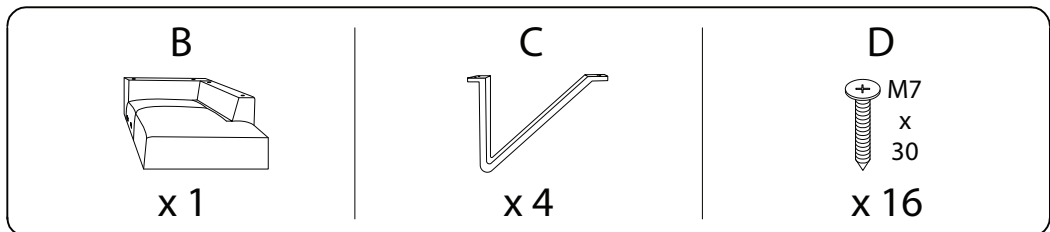
2



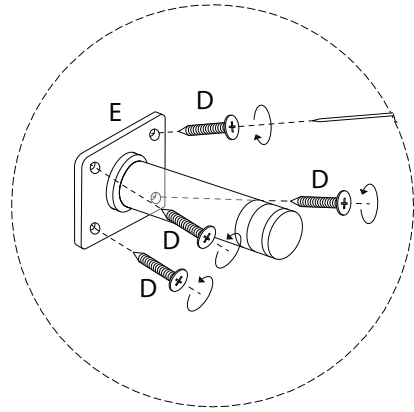
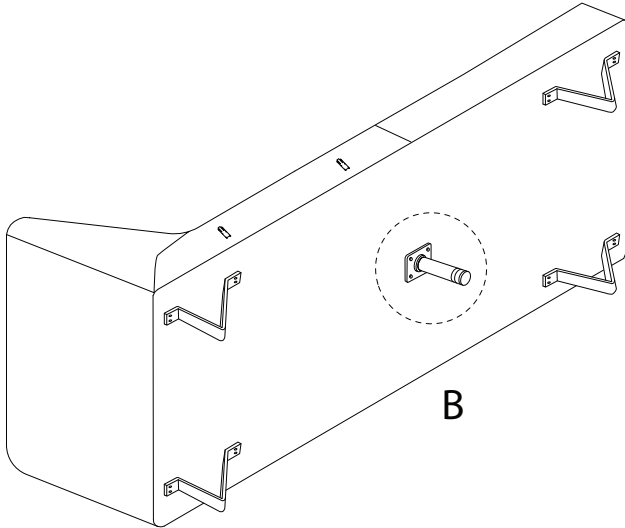
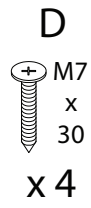
!



3

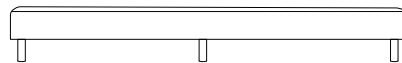


4



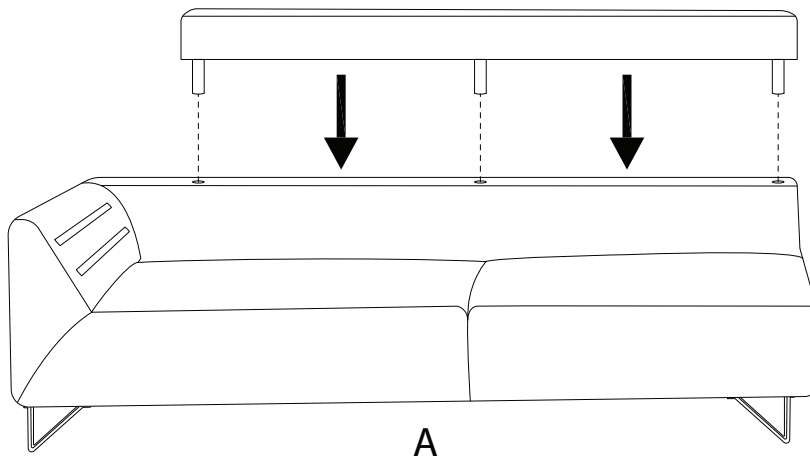
5

F

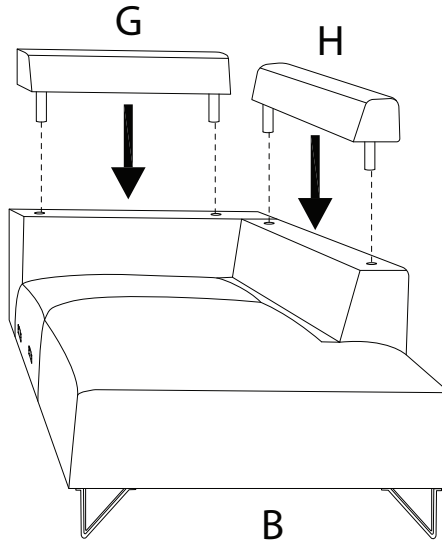
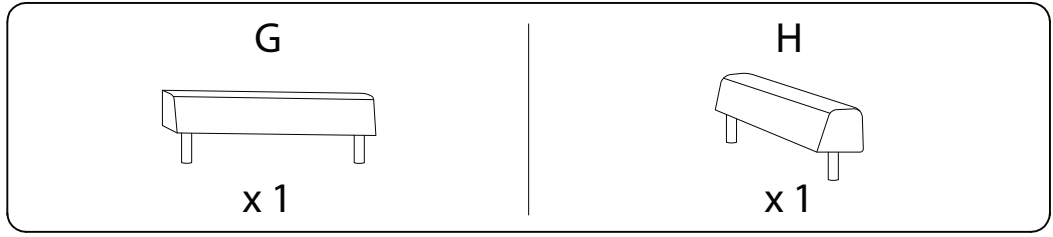


x 1

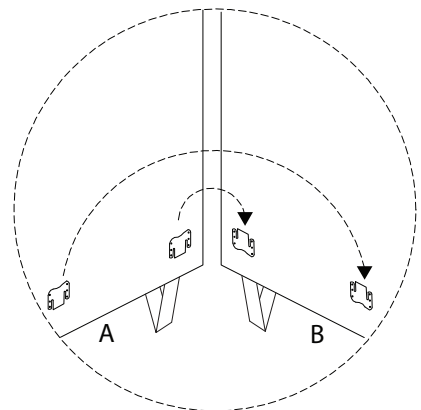
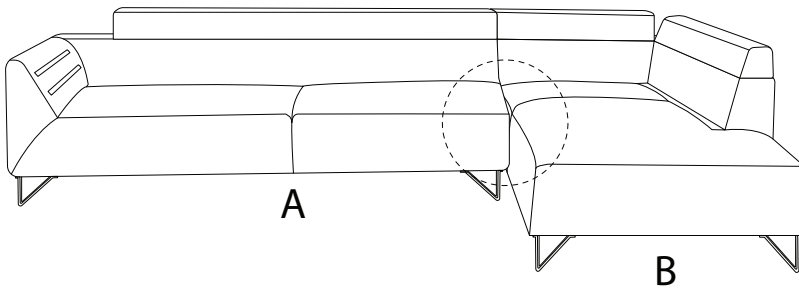
F



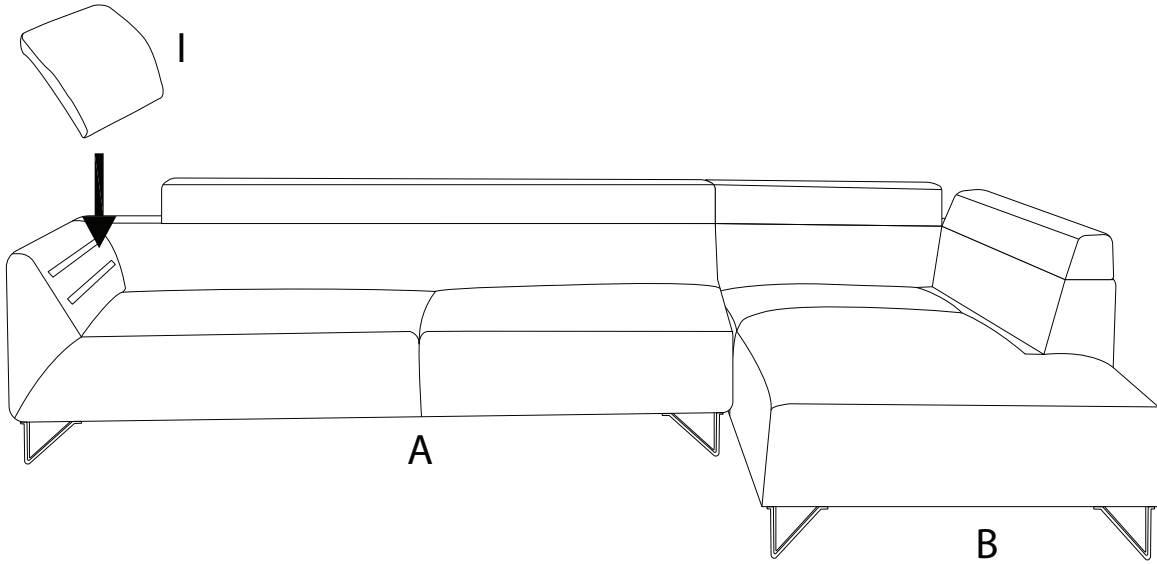
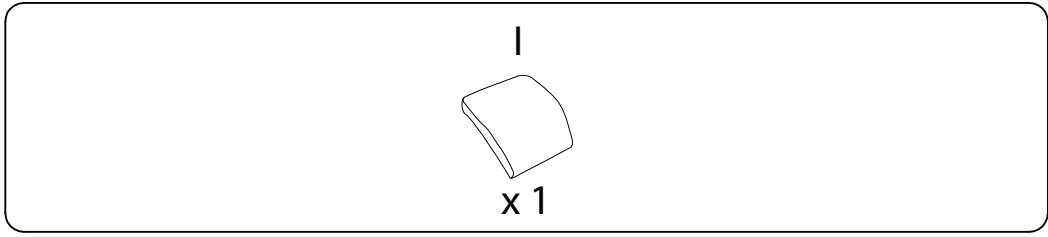
6



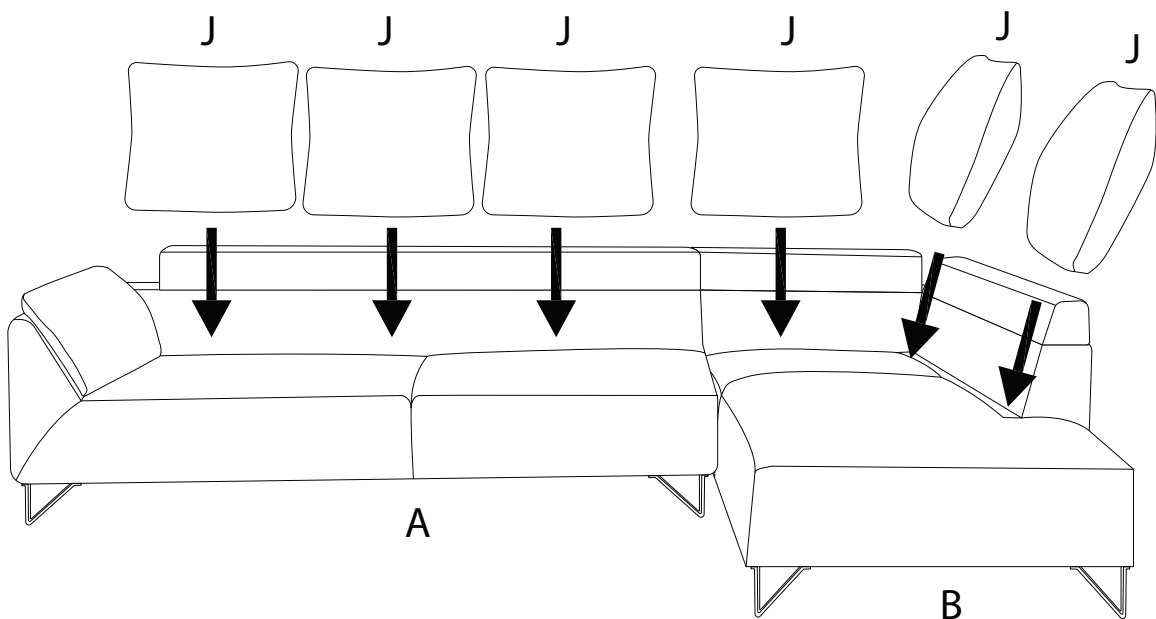
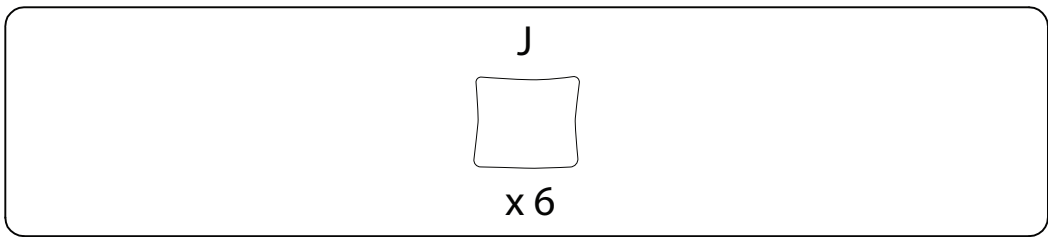
7



8

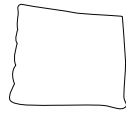


9



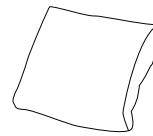
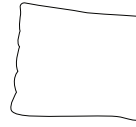
10

K



x 2

K



K

