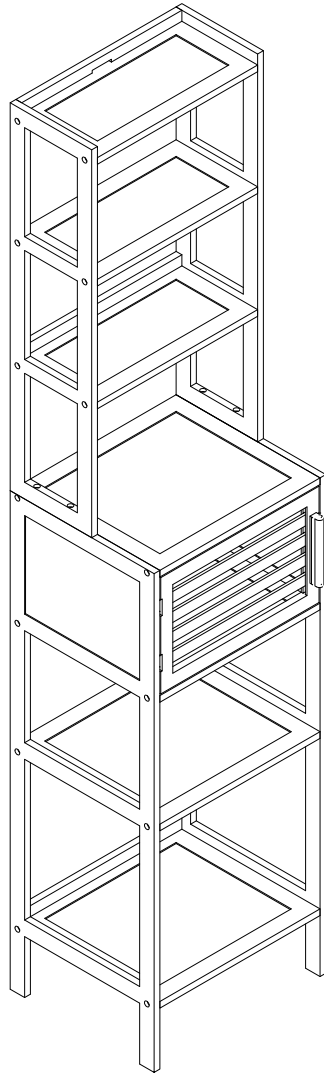
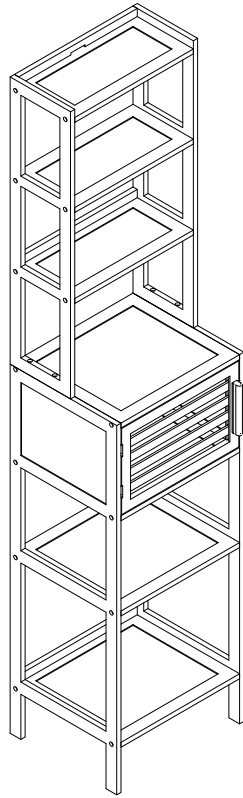


# LEHI





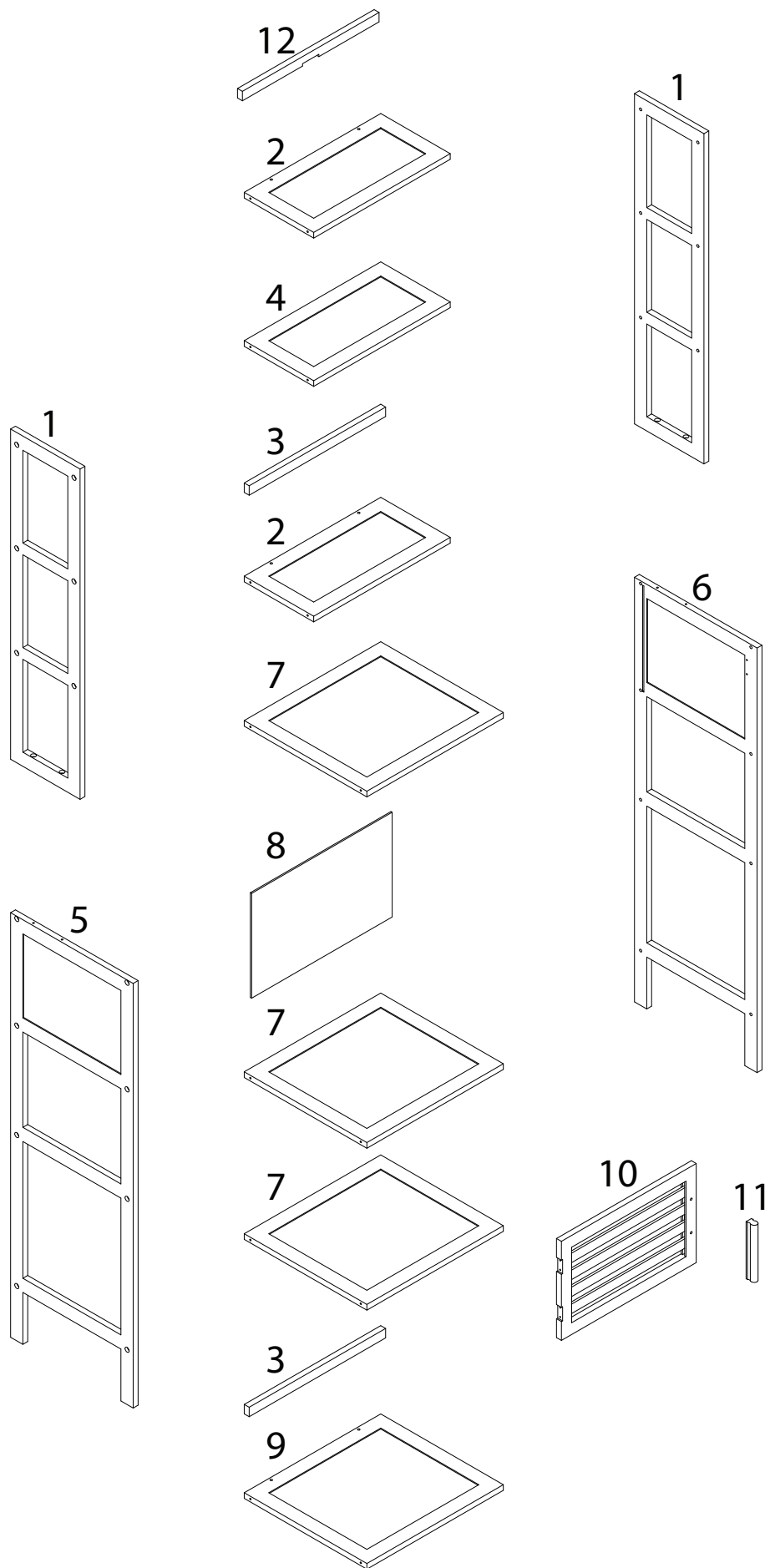
Assembly instructions for the shelving unit, including tool requirements, time, and personnel.

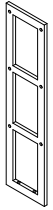
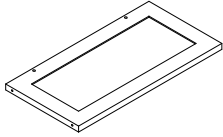
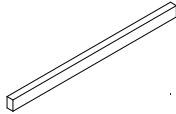
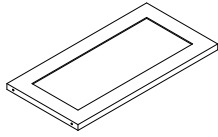
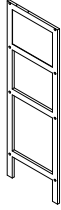
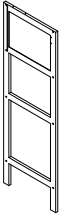
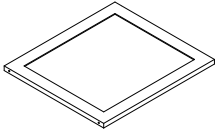
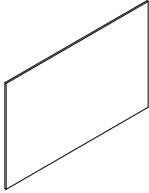
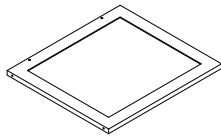
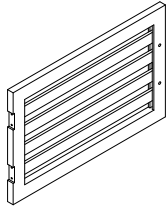

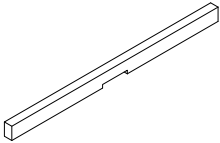
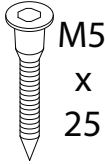
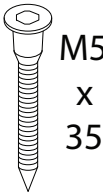

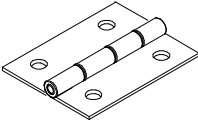
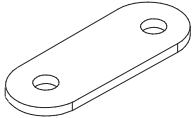
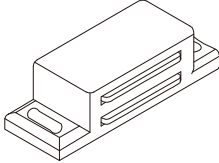


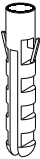

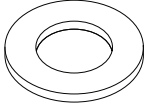
**Tools:** A circular icon contains a screwdriver and an L-shaped Allen key. To the right is a power drill icon.

**Warnings:** Two triangular warning symbols with exclamation marks are shown. The top one is connected to the tool icons, and the bottom one is connected to the personnel icon.

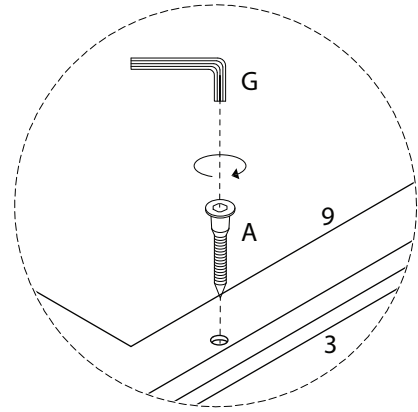
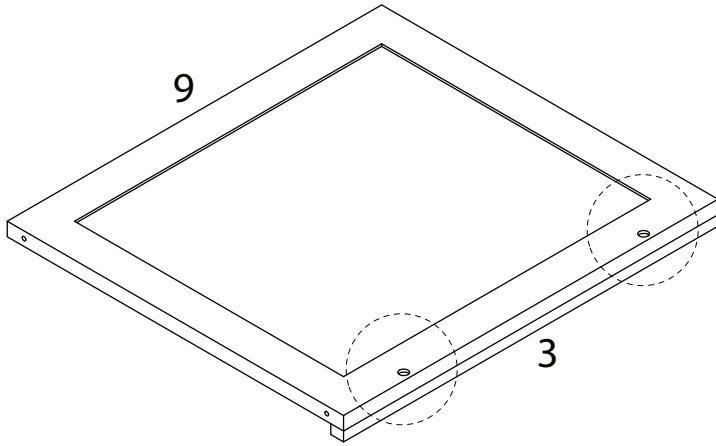
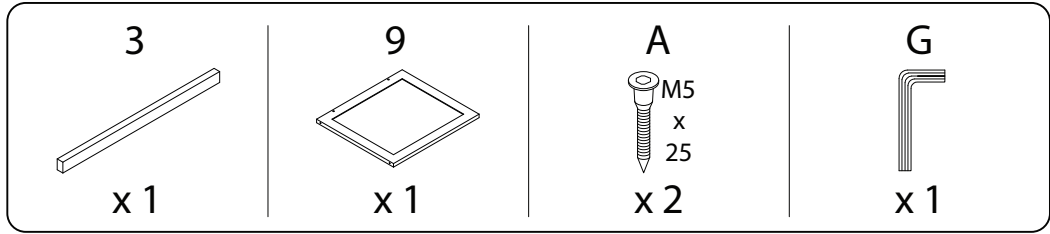
**Time:** A clock icon is shown above the text "60'".

**Personnel:** A stick figure icon is shown above the number "2".

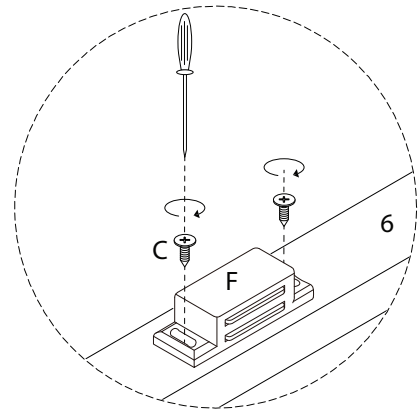
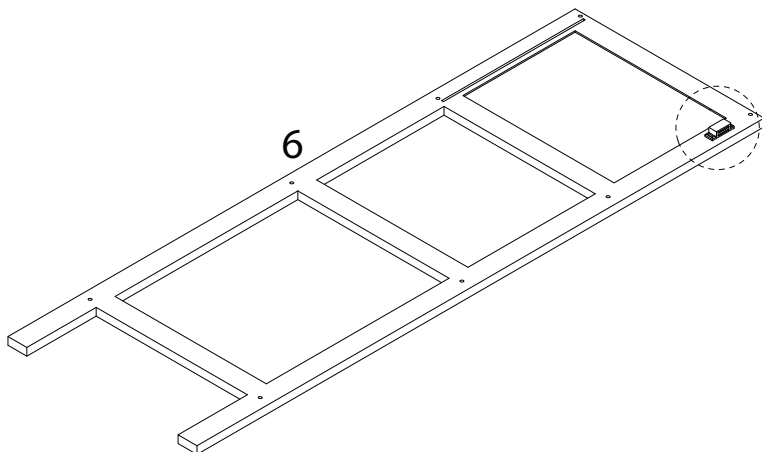
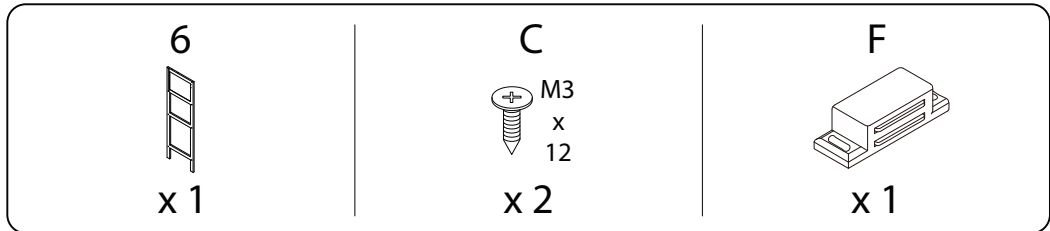


|                                                                                                          |                                                                                                          |                                                                                                                                 |                                                                                                                                   |                                                                                                                                   |
|----------------------------------------------------------------------------------------------------------|----------------------------------------------------------------------------------------------------------|---------------------------------------------------------------------------------------------------------------------------------|-----------------------------------------------------------------------------------------------------------------------------------|-----------------------------------------------------------------------------------------------------------------------------------|
| <p>1</p>  <p>x 2</p>    | <p>2</p>  <p>x 2</p>    | <p>3</p>  <p>x 2</p>                           | <p>4</p>  <p>x 1</p>                            | <p>5</p>  <p>x 1</p>                           |
| <p>6</p>  <p>x 1</p>    | <p>7</p>  <p>x 3</p>    | <p>8</p>  <p>x 1</p>                           | <p>9</p>  <p>x 1</p>                            | <p>10</p>  <p>x 1</p>                          |
| <p>11</p>  <p>x 1</p> | <p>12</p>  <p>x 1</p> | <p>A</p>  <p>M5<br/>x<br/>25</p> <p>x 12</p> | <p>B</p>  <p>M5<br/>x<br/>35</p> <p>x 28</p> | <p>C</p>  <p>M3<br/>x<br/>12</p> <p>x 12</p> |
| <p>D</p>  <p>x 2</p>  | <p>E</p>  <p>x 1</p>  | <p>F</p>  <p>x 1</p>                         | <p>G</p>  <p>x 1</p>                         | <p>H</p>  <p>M4<br/>x<br/>35</p> <p>x 1</p>  |
| <p>I</p>  <p>x 1</p>  | <p>J</p>  <p>x 1</p>  | <p>K</p>  <p>x 1</p>                       |                                                                                                                                   |                                                                                                                                   |

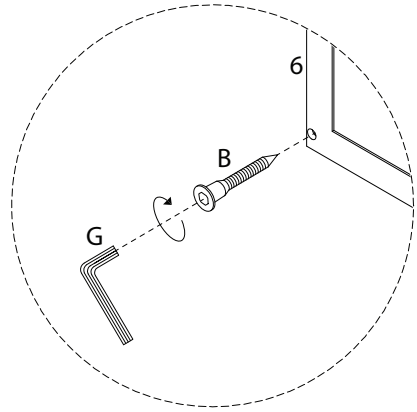
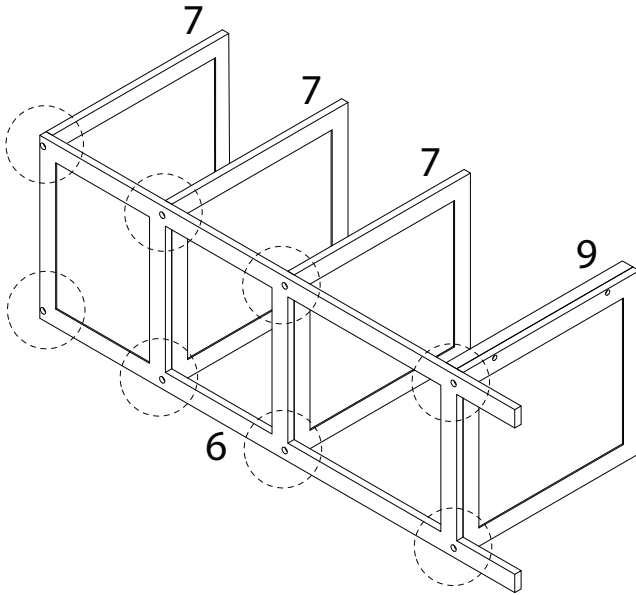
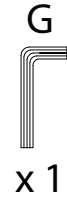
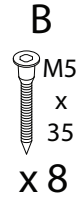
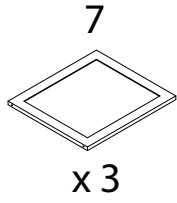
1



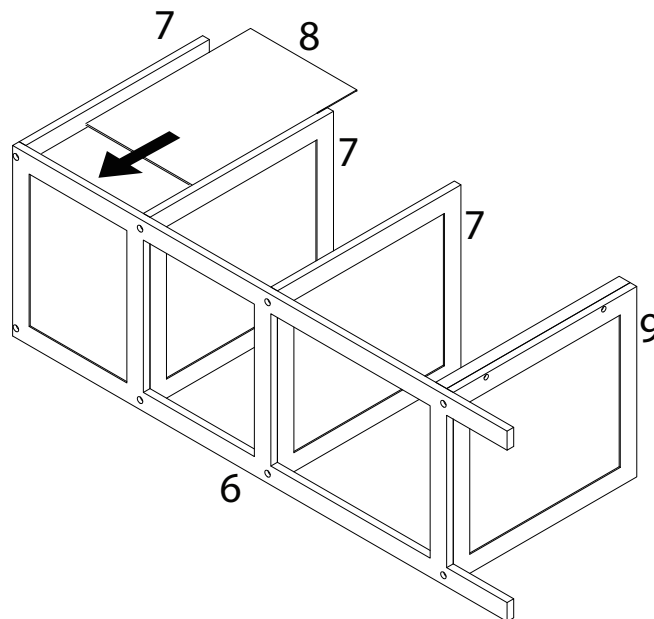
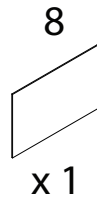
2



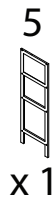
3



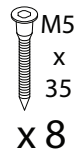
4



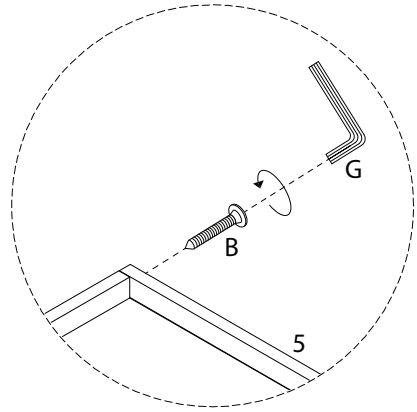
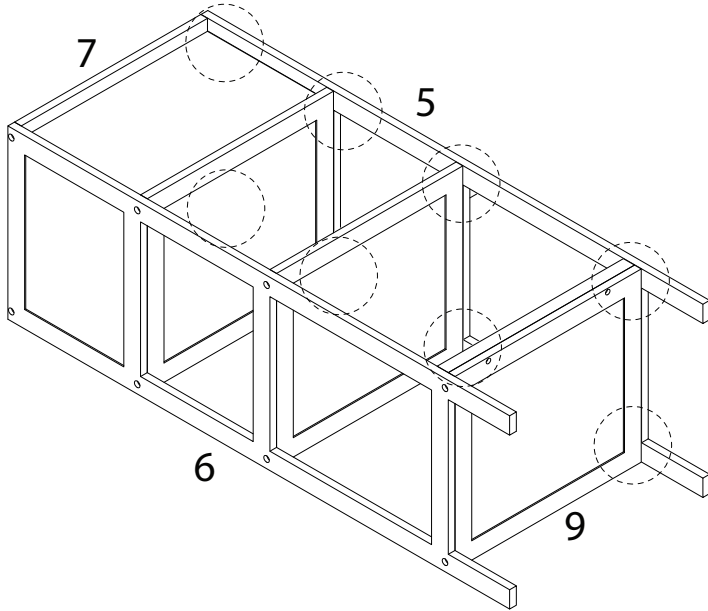
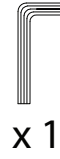
5



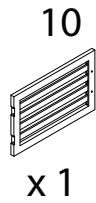
B



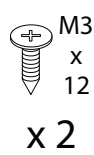
G



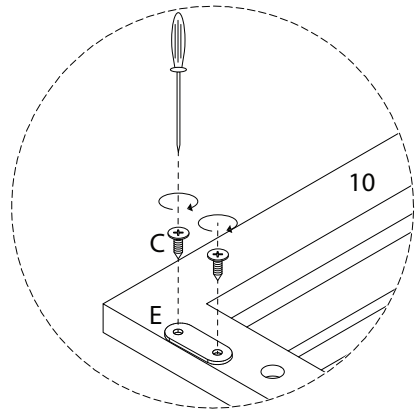
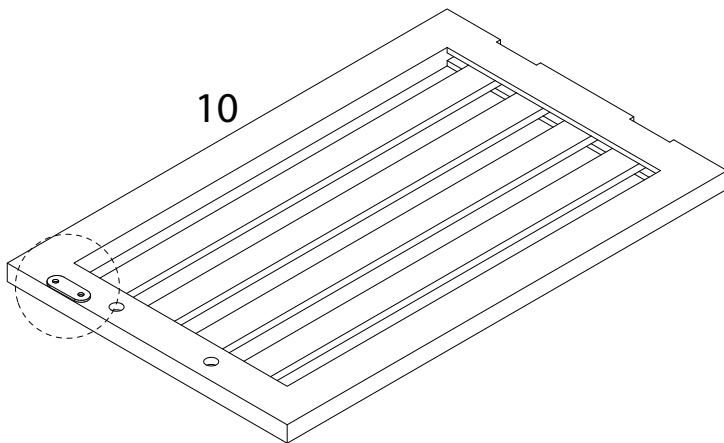
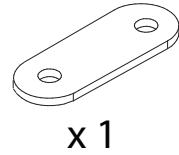
6



C



E

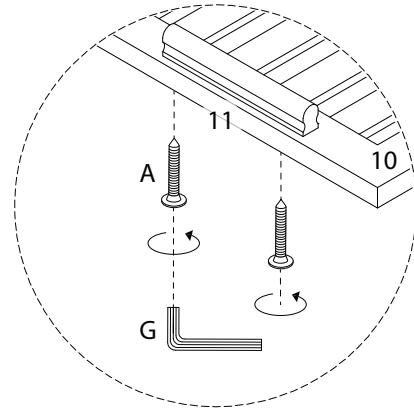
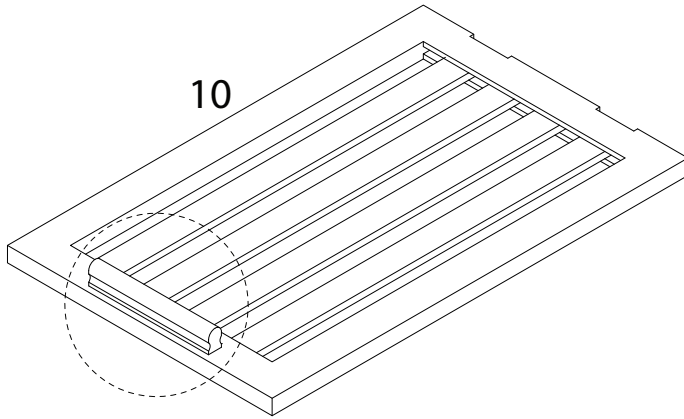


7

11  
x 1

A  
M5  
x  
25  
x 2

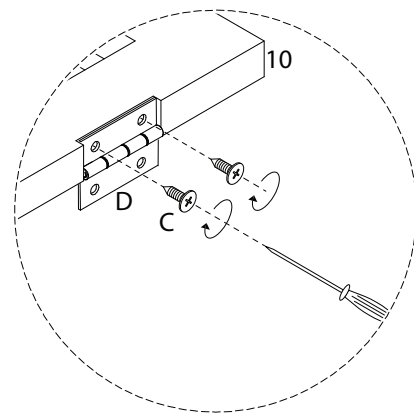
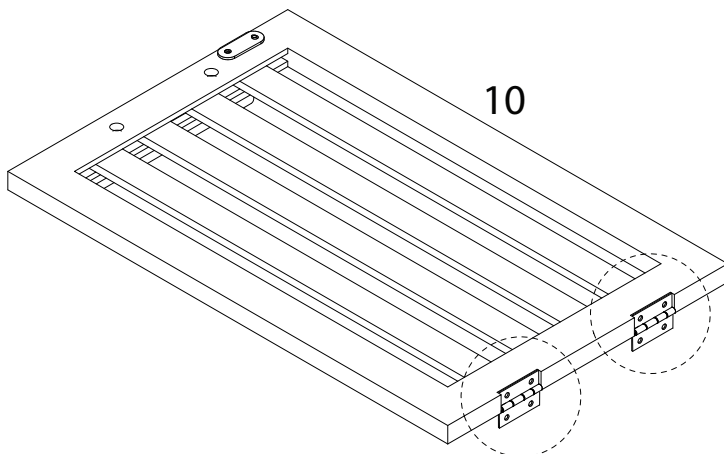
G  
x 1



8

C  
M3  
x  
12  
x 4

D  
x 2



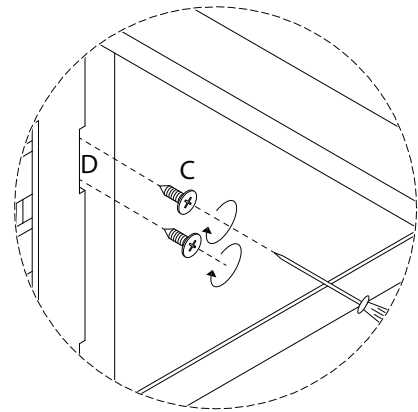
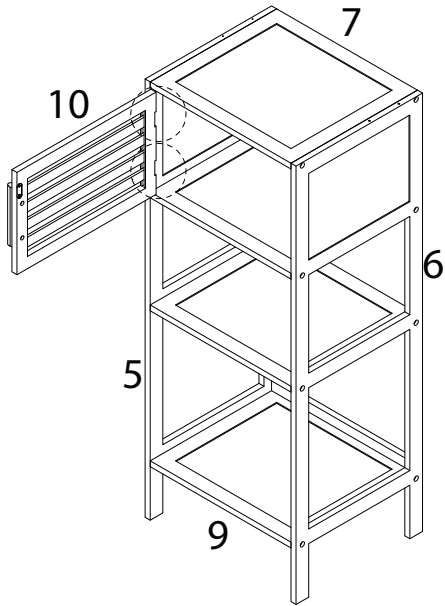


9

C

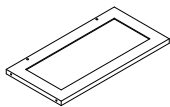


x 4



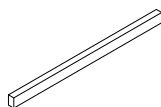
10

2



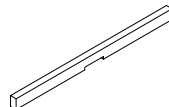
x 2

3



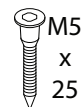
x 1

12



x 1

A

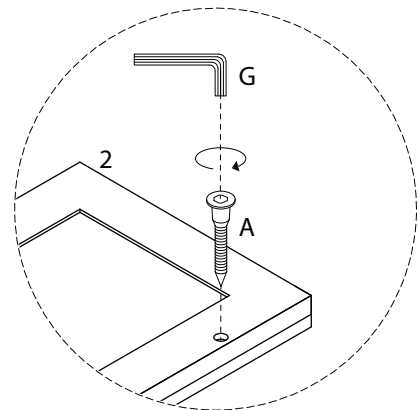
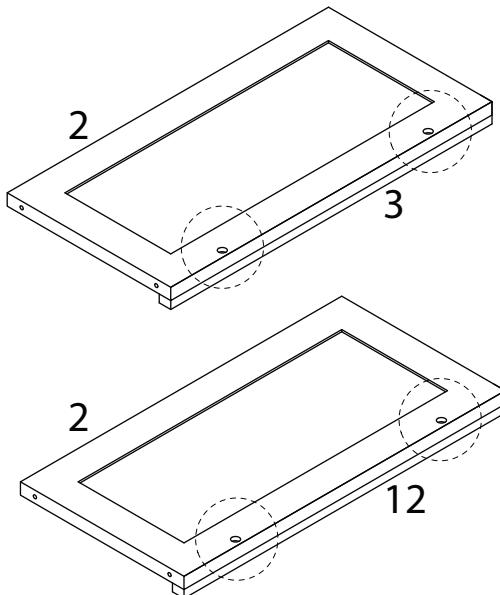


x 4

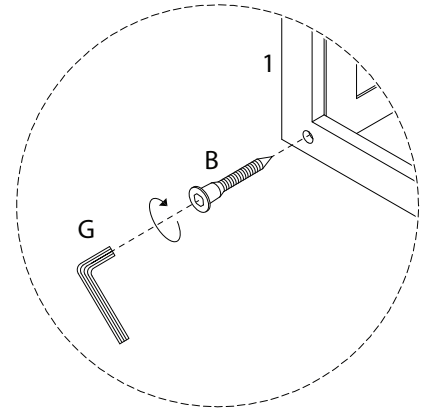
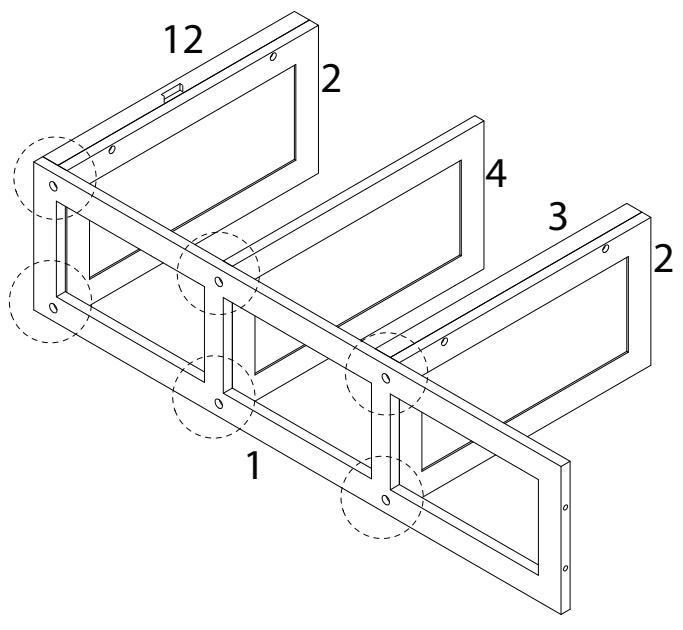
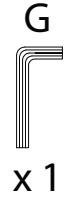
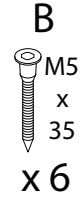
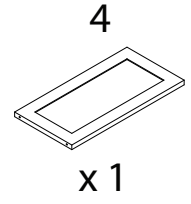
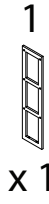
G



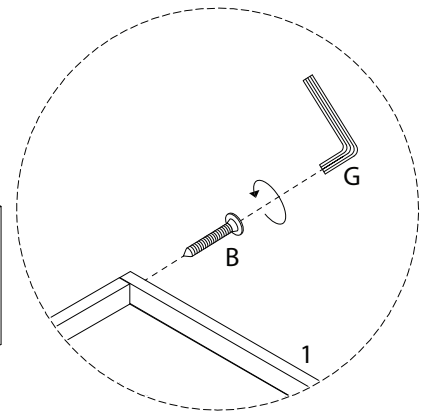
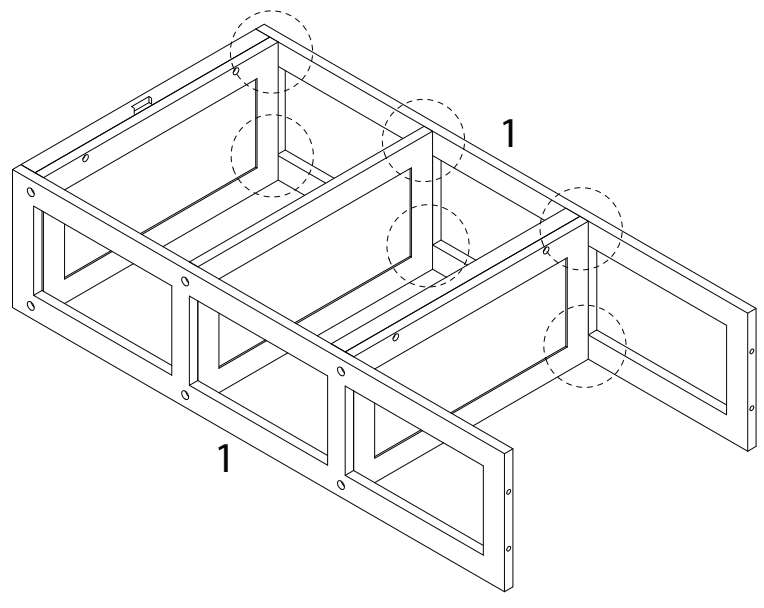
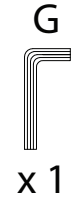
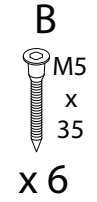
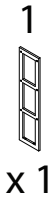
x 1



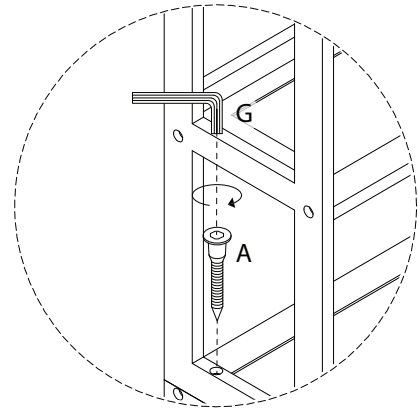
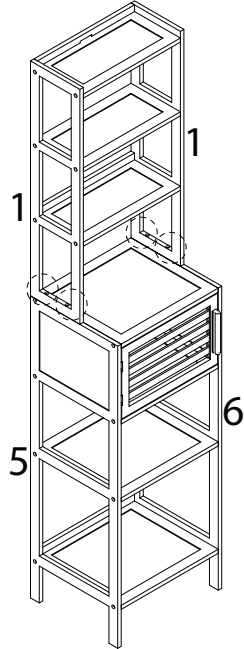
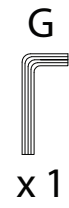
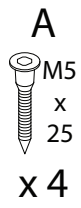
11



12



13



14

