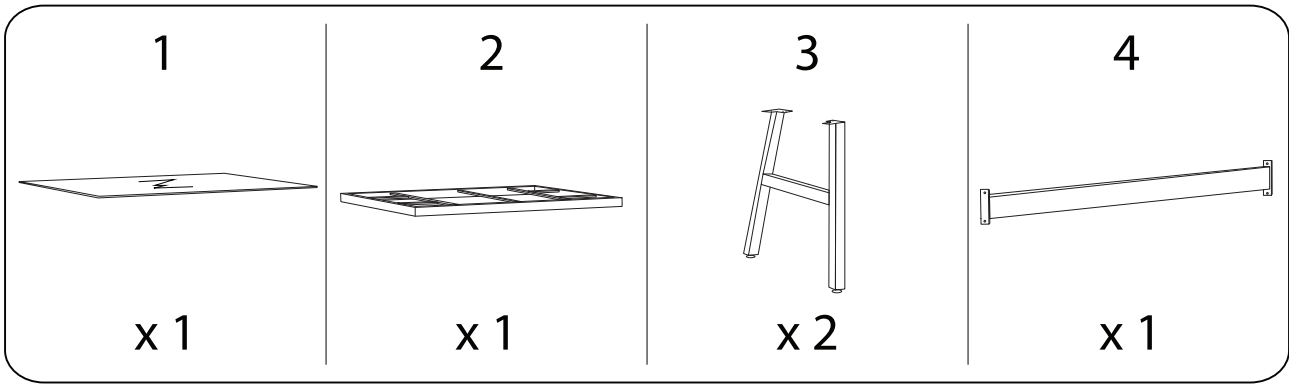
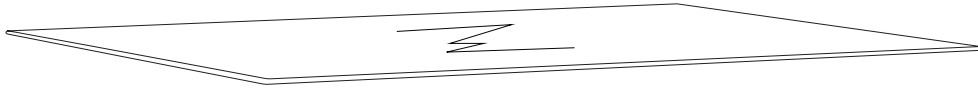


Diagram illustrating assembly steps and safety warnings:

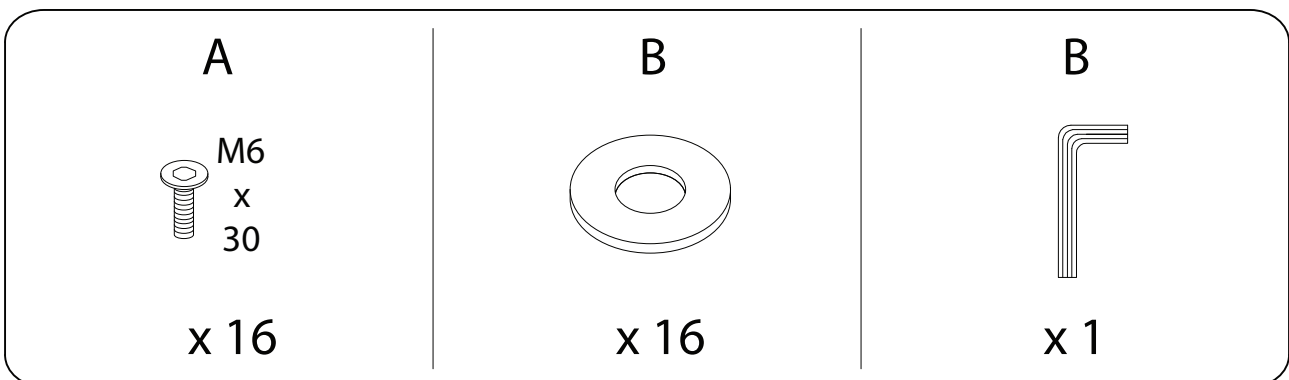
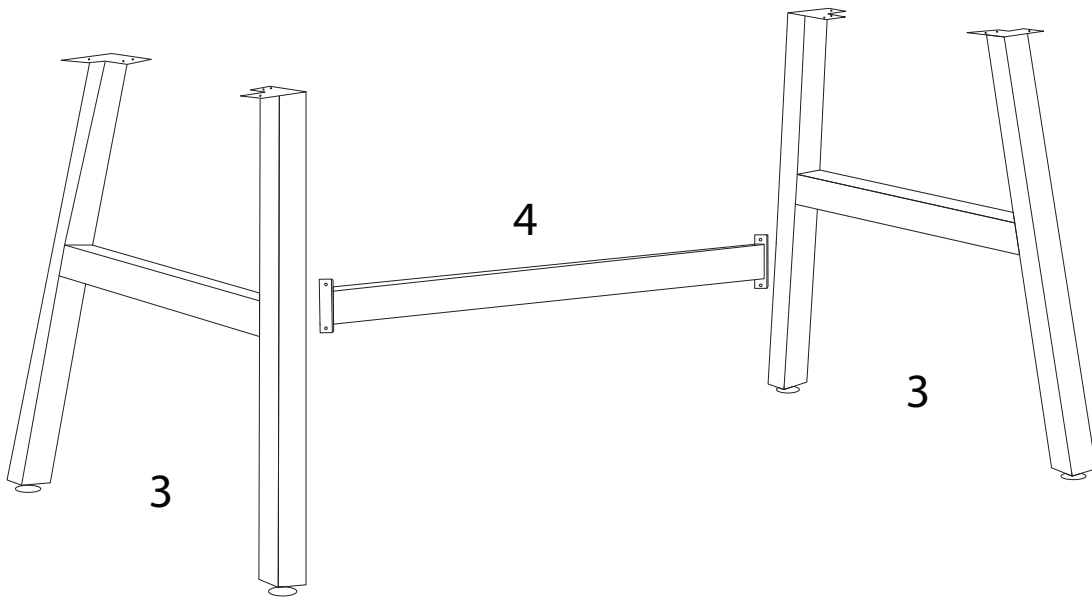
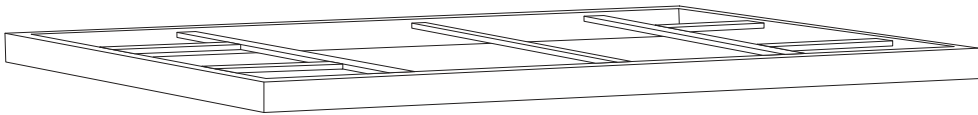
- Step 1:** Shows an L-shaped metal bracket and a power drill with a slash through it, indicating that a power drill should not be used. A warning triangle with an exclamation mark is positioned to the right.
- Step 2:** Shows a rectangular block being placed on a surface and a diagram of a block with a hole and a slash through it, indicating that a hole should not be drilled. A warning triangle with an exclamation mark is positioned to the right.
- Time:** A clock icon is shown with the text "30'" below it, indicating a 30-minute assembly time.
- Personnel:** A person icon is shown with the text "2" below it, indicating that two people are required for assembly.



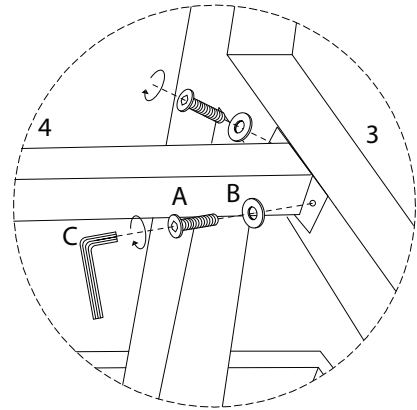
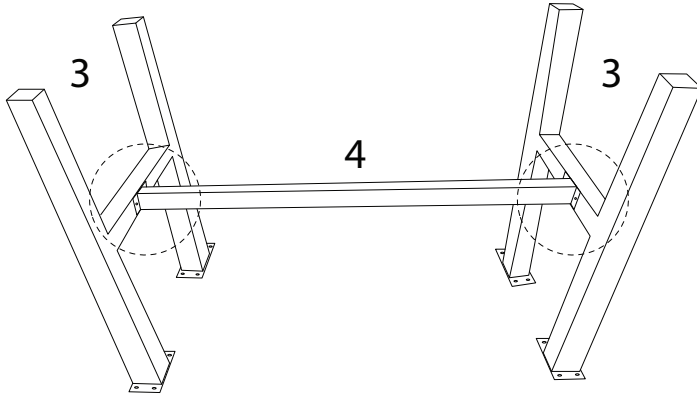
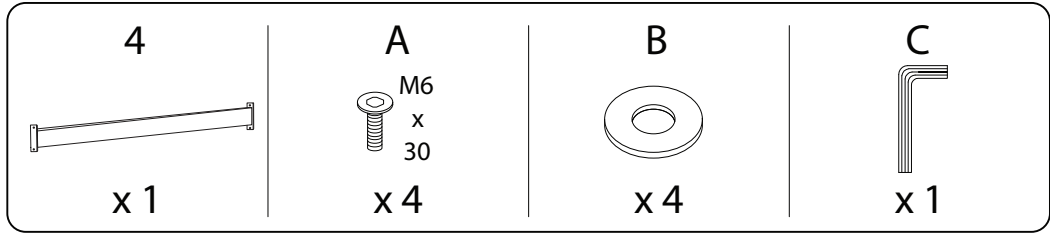
1



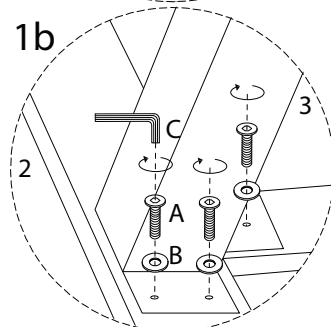
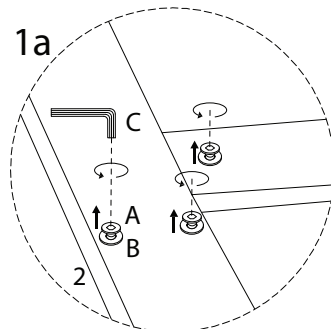
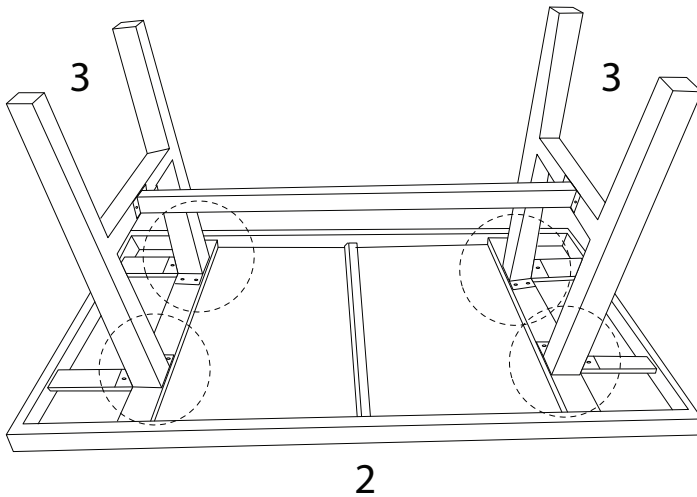
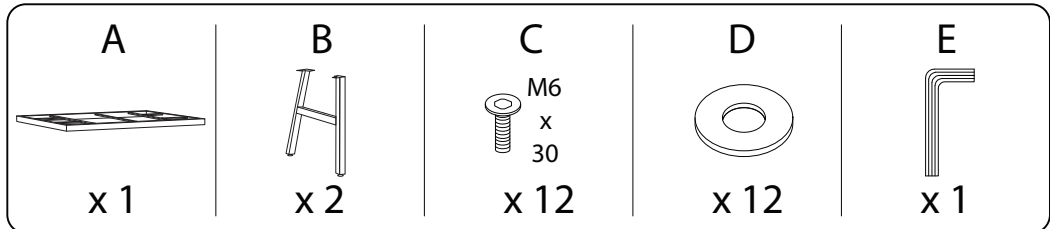
2



1



2



3

