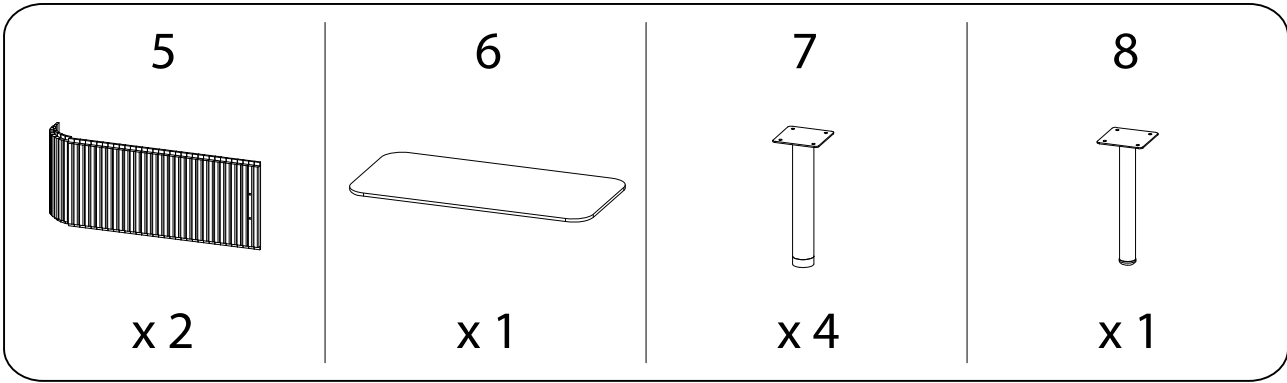
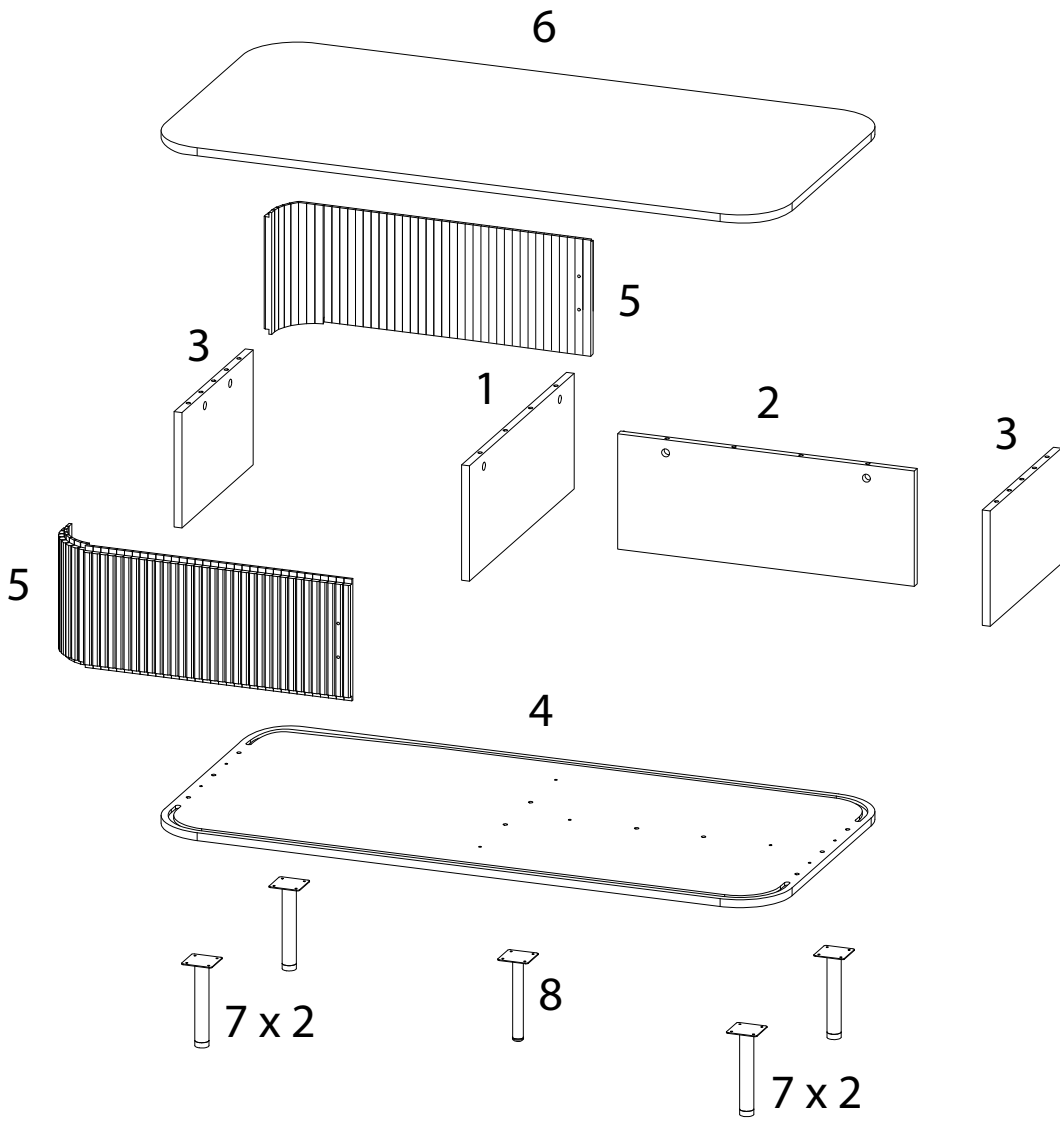
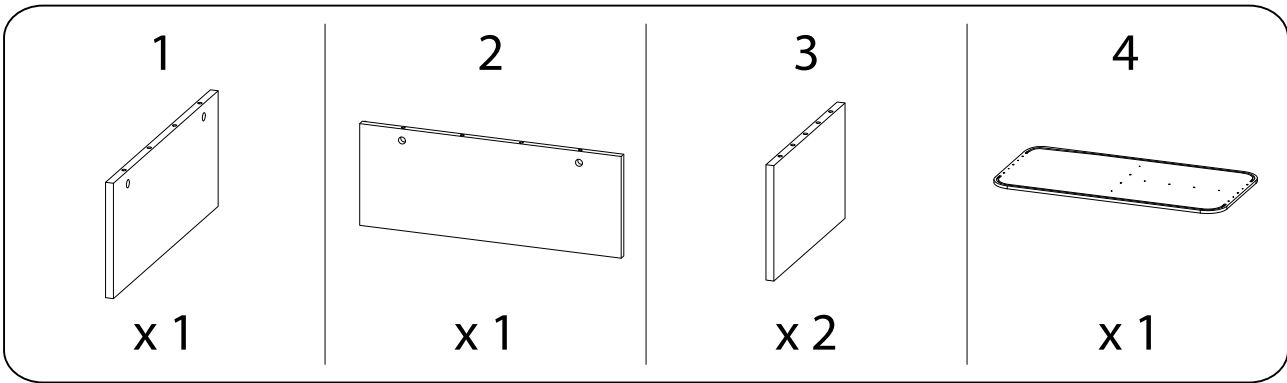
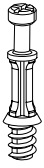


Assembly instructions for step 1/7:

- Tools: A screwdriver is shown as the required tool, and a power drill is shown with a diagonal line through it, indicating it is not to be used.
- Warning: A triangle with an exclamation mark indicates a warning.
- Time: A clock icon indicates that this step takes 45 minutes.
- Personnel: An icon of a person indicates that 2 people are required for this step.

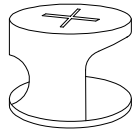


A



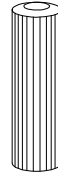
x 8

B



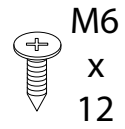
x 8

C



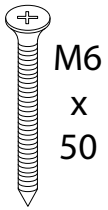
x 20

D



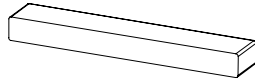
x 20

E



x 8

F



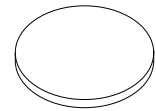
x 2

G



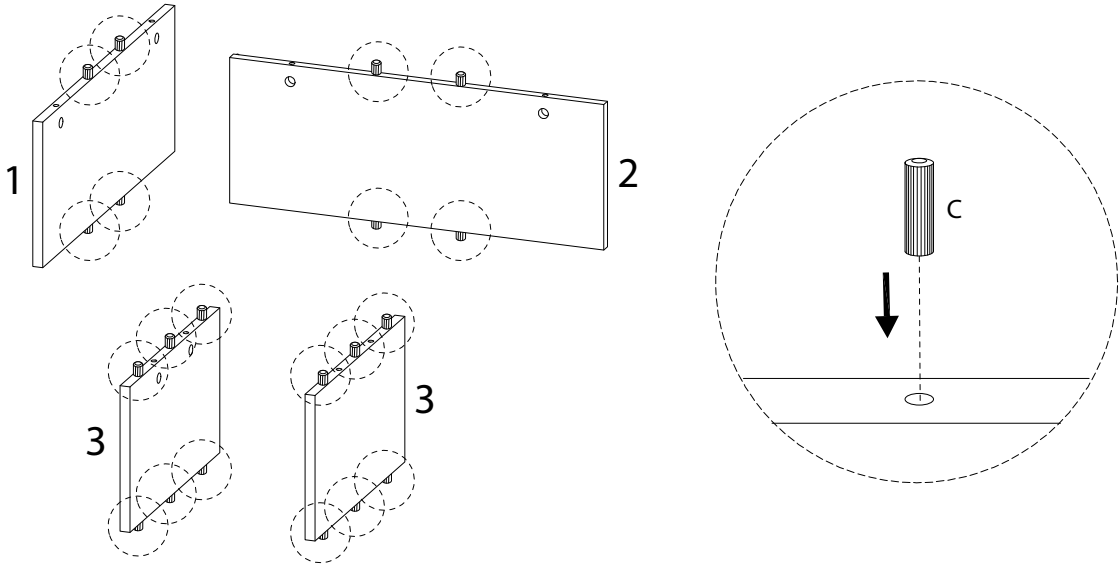
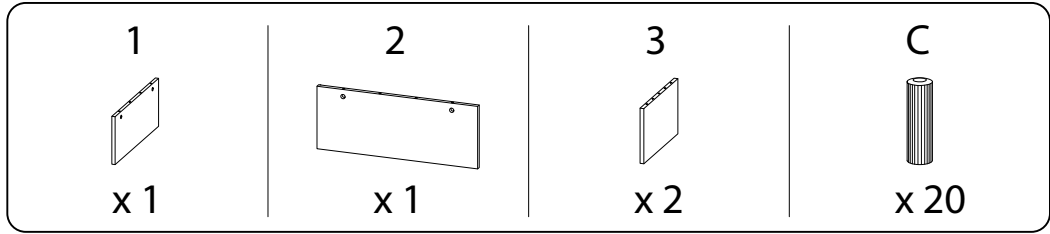
x 4

H

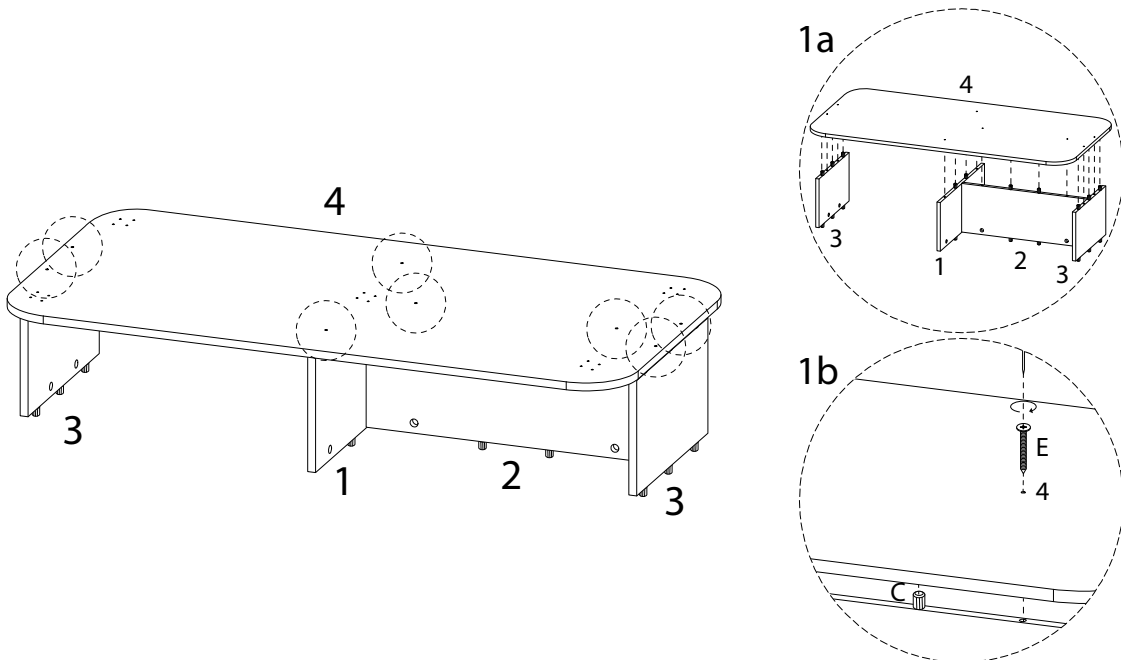
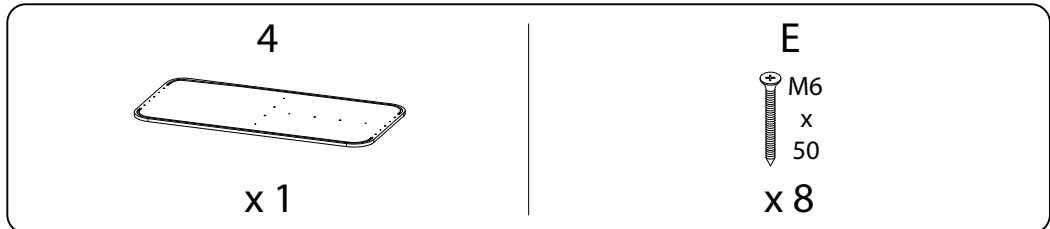


x 8

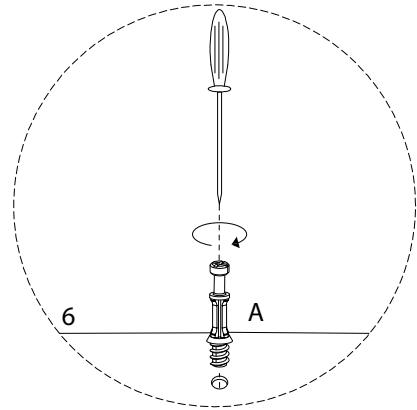
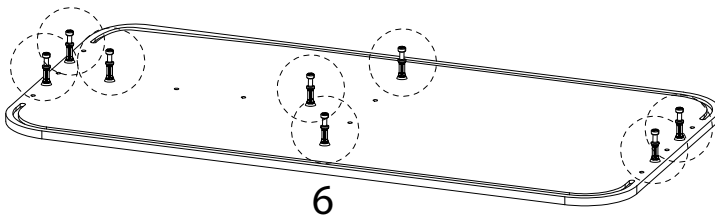
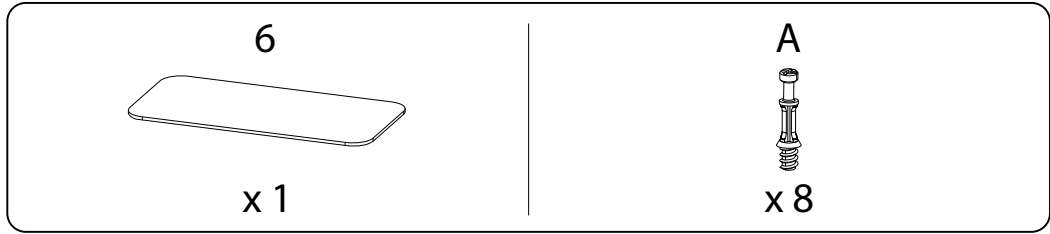
1



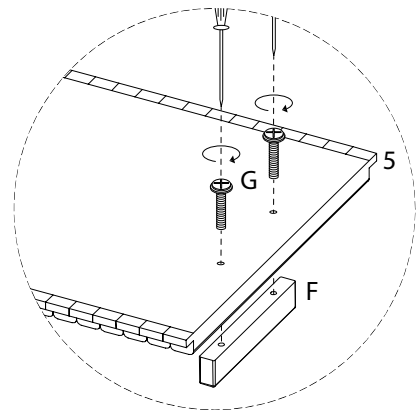
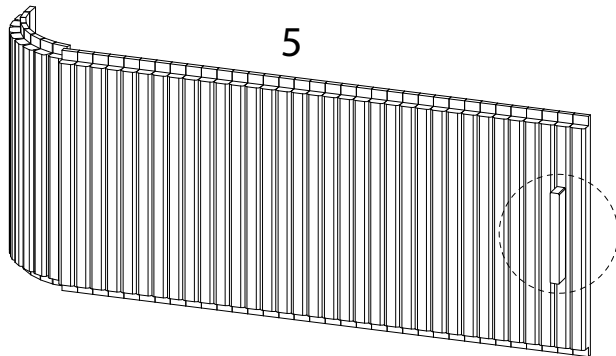
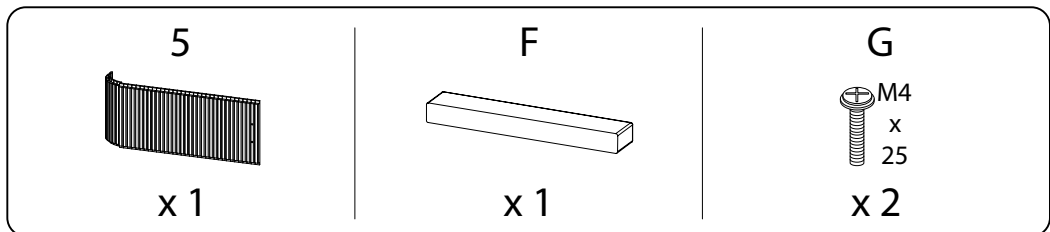
2



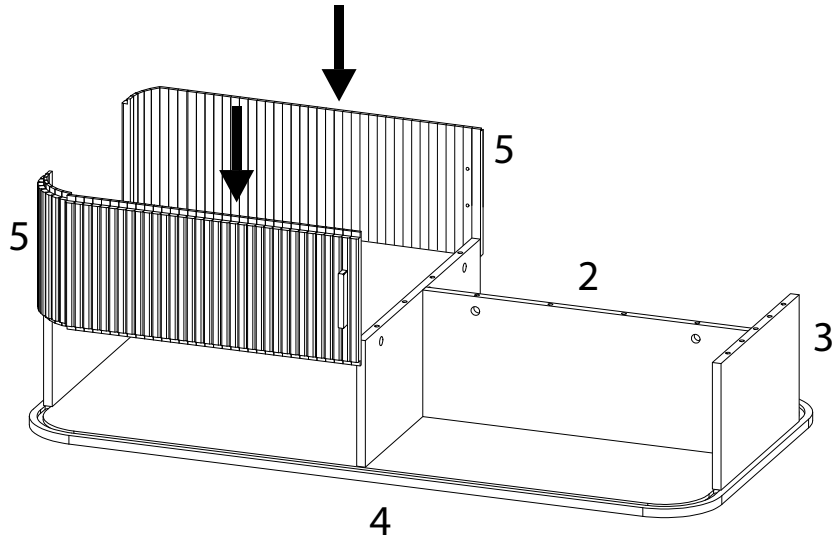
3



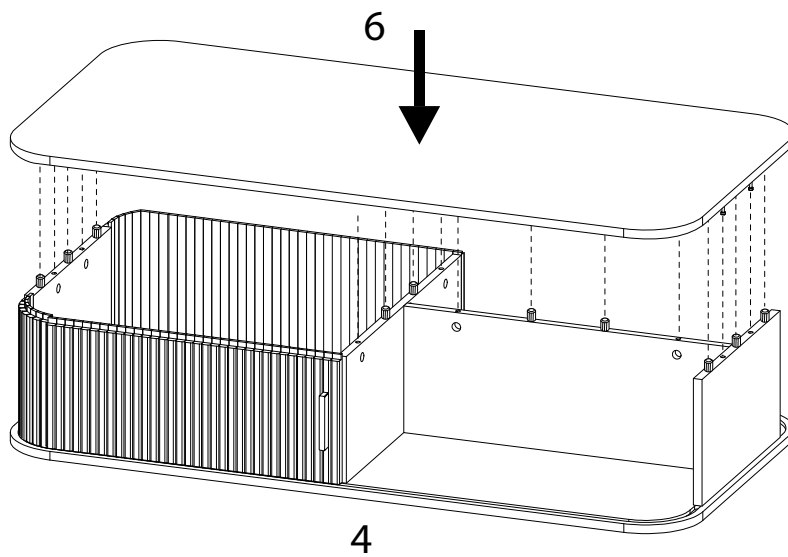
4 x 2



5



6



7

B

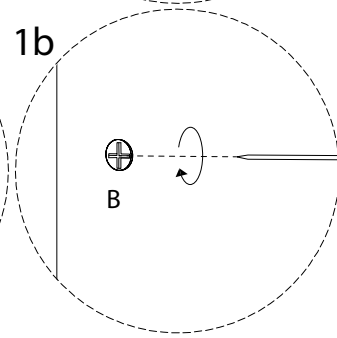
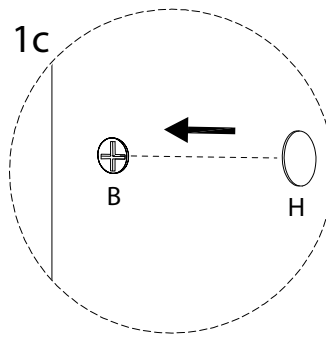
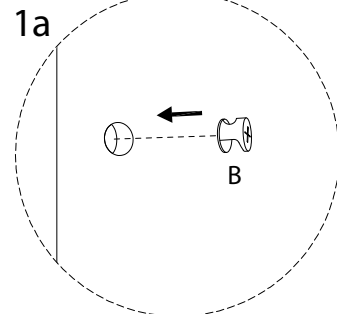
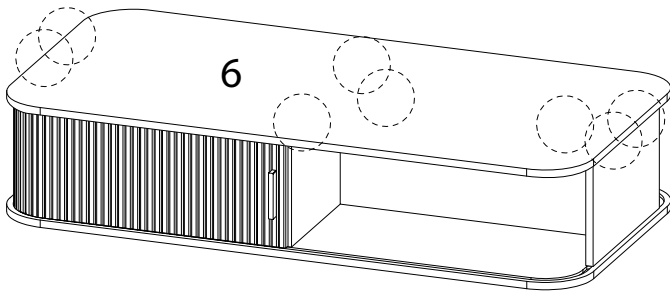


x 8

H



x 8



8

7



x 4

8



x 1

D



M6  
x 12

x 20

