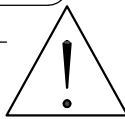
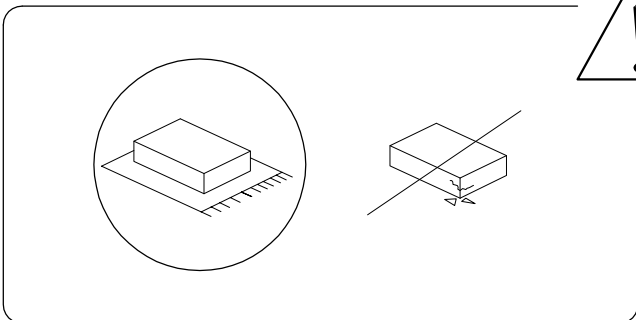
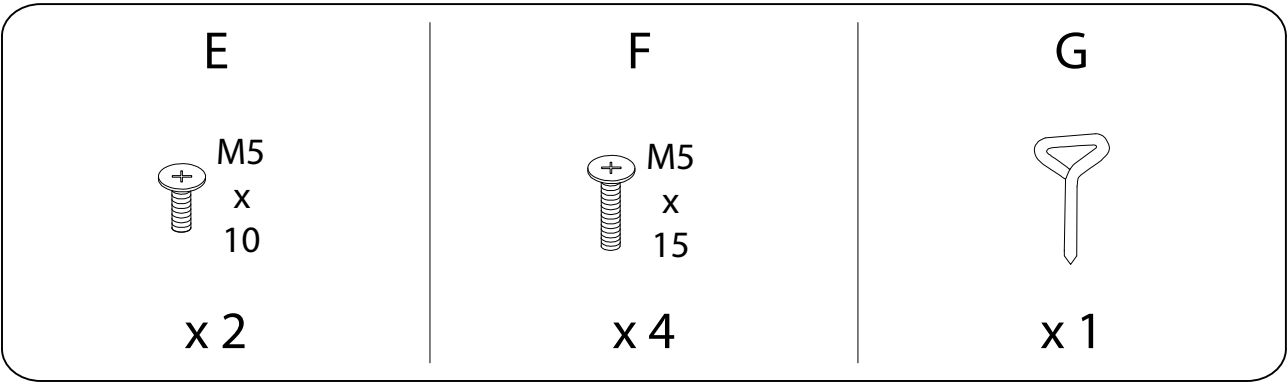
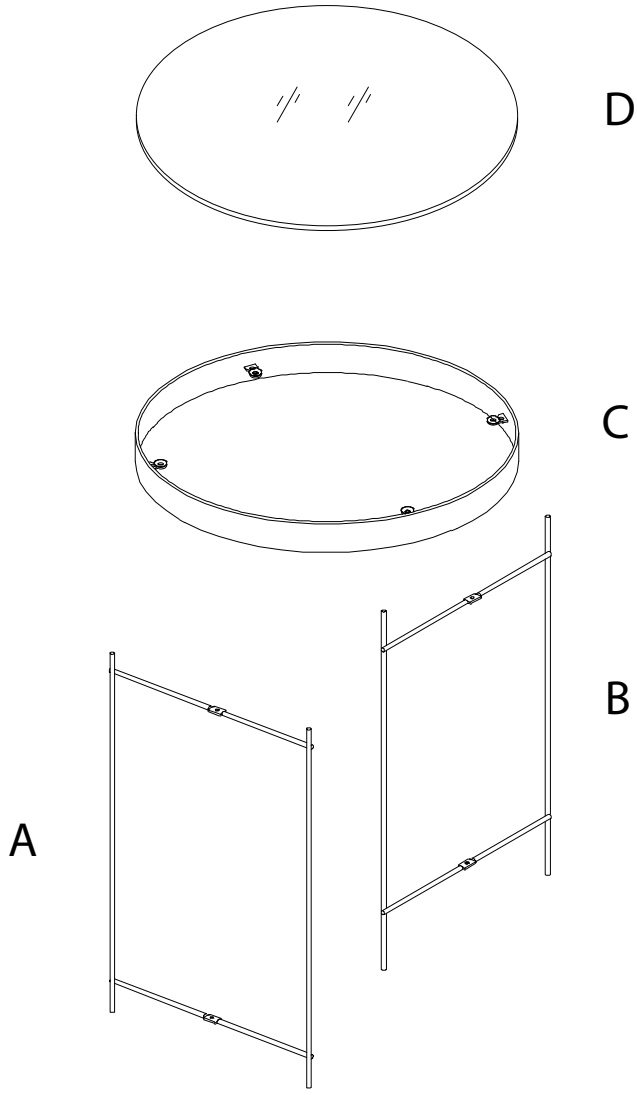
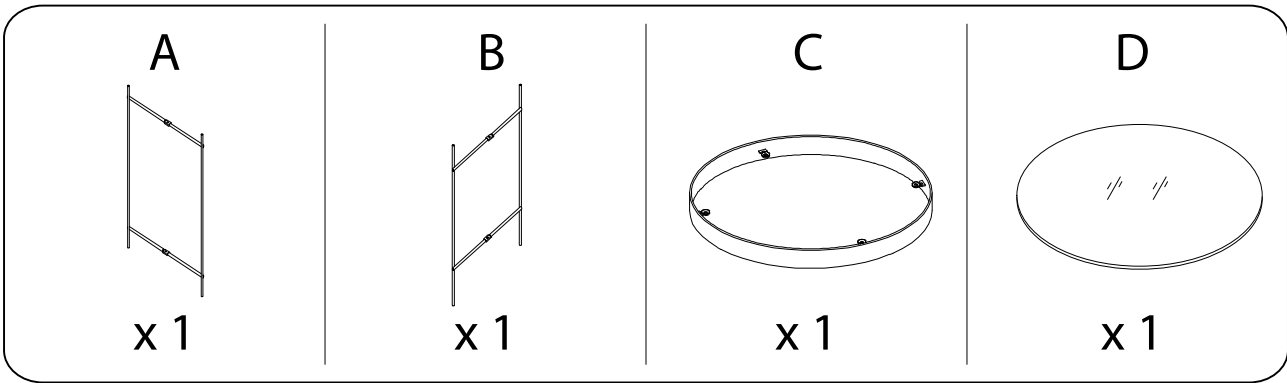


15'



1

1/4



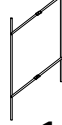
1

A



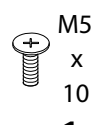
x 1

B



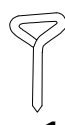
x 1

E

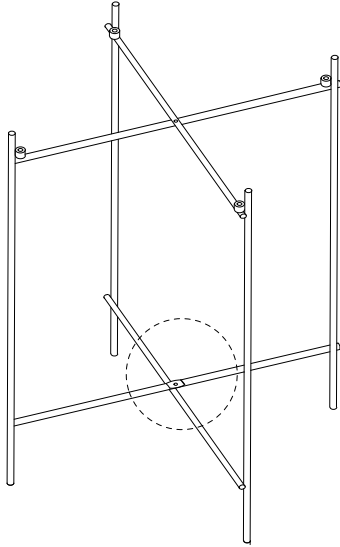


x 1

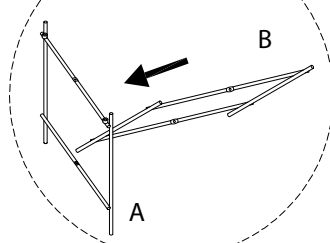
G



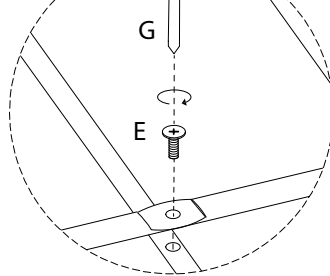
x 1



1a

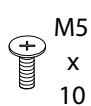


1b



2

E

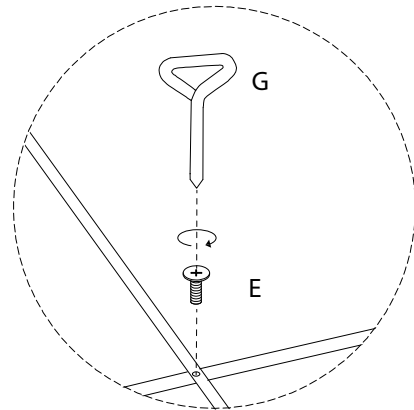
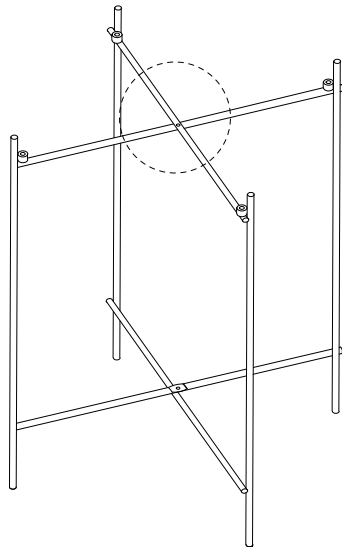


x 1

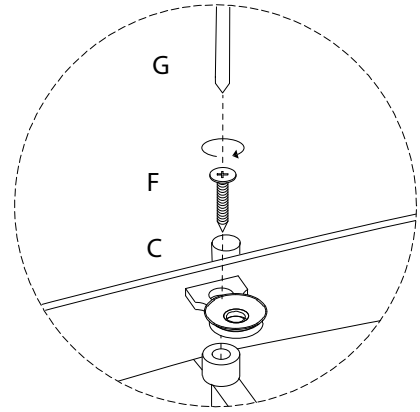
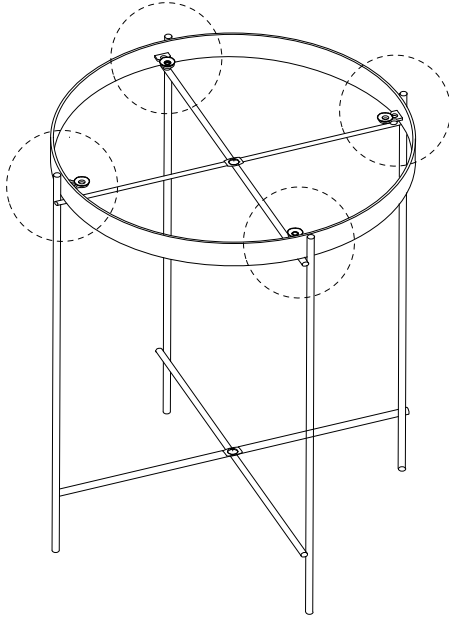
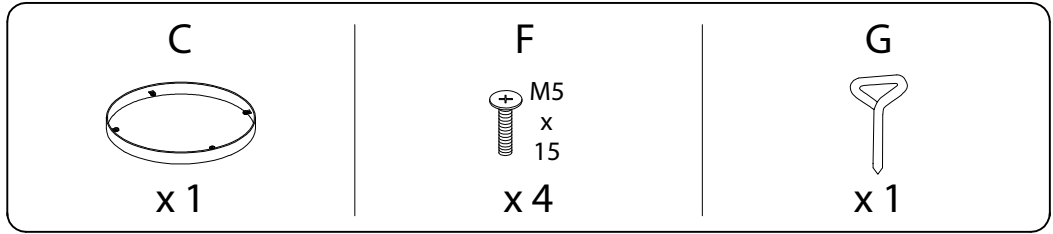
G



x 1



3



4

