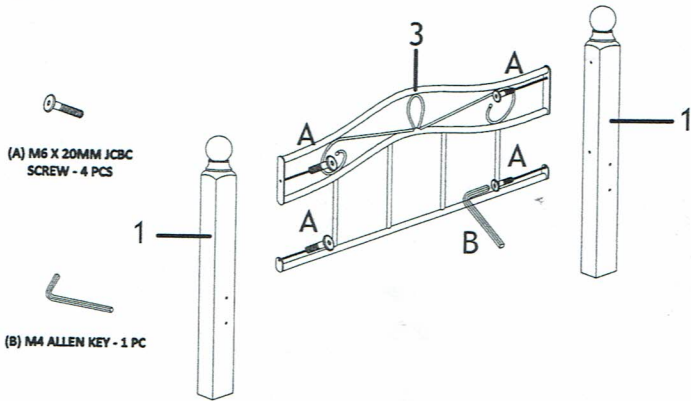


ASSEMBLY INSTRUCTION

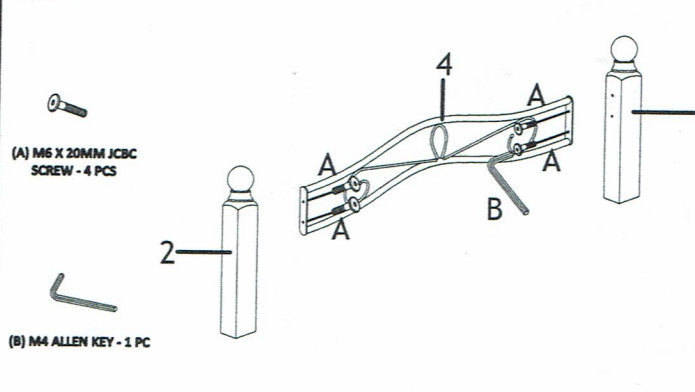
MODEL : HOME 920 SINGLE BED

Before you begin, please follow Assembly Instruction carefully. Follow them step by step.

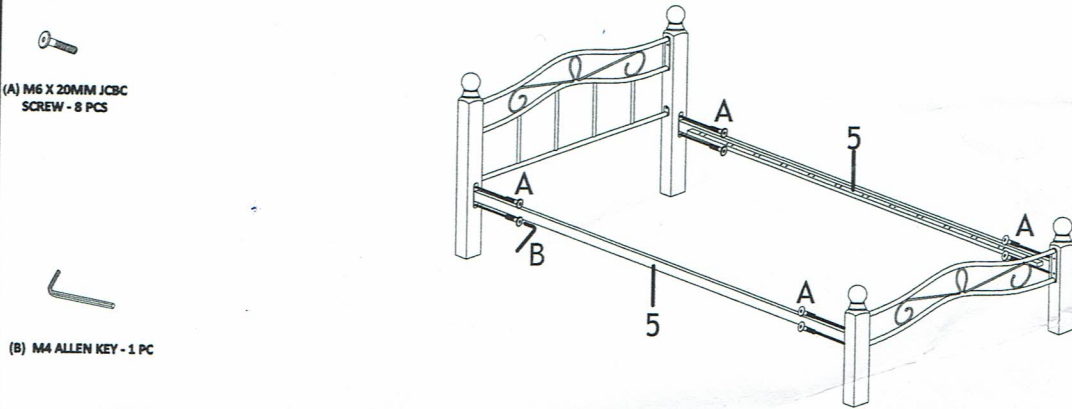
STEP 1



STEP 2



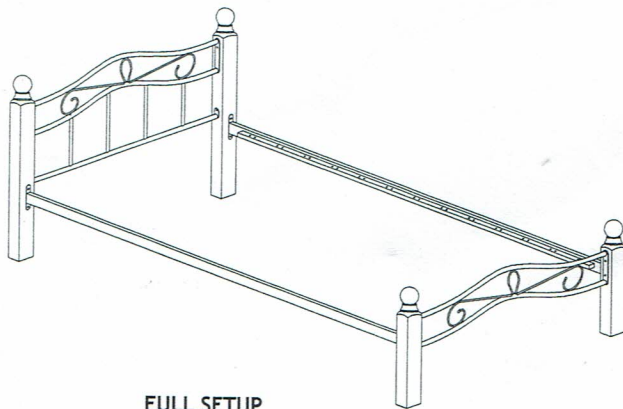
STEP 3




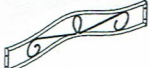


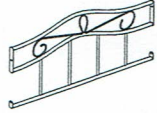
ASSEMBLY INSTRUCTION

MODEL : HOME 920 SINGLE BED



Before you begin, please follow Assembly Instruction carefully. Follow them step by step.



PART LIST

 1) HEAD POST X 2 PCS	 4) FOOTBOARD X 1 PC
 2) FOOT POST X 2 PCS	 5) METAL SIDE RAIL (WITH 26 HOLES) X 2 PCS
 3) HEADBOARD X 1 PC	

HARDWARE LIST

 (A) M6 X 20MM JCBC SCREW - 16 PCS	 (B) M4 ALLEN KEY - 1 PC
--	---