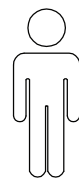
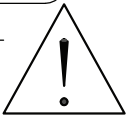
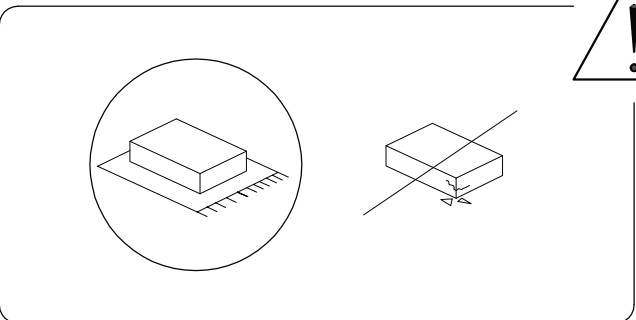
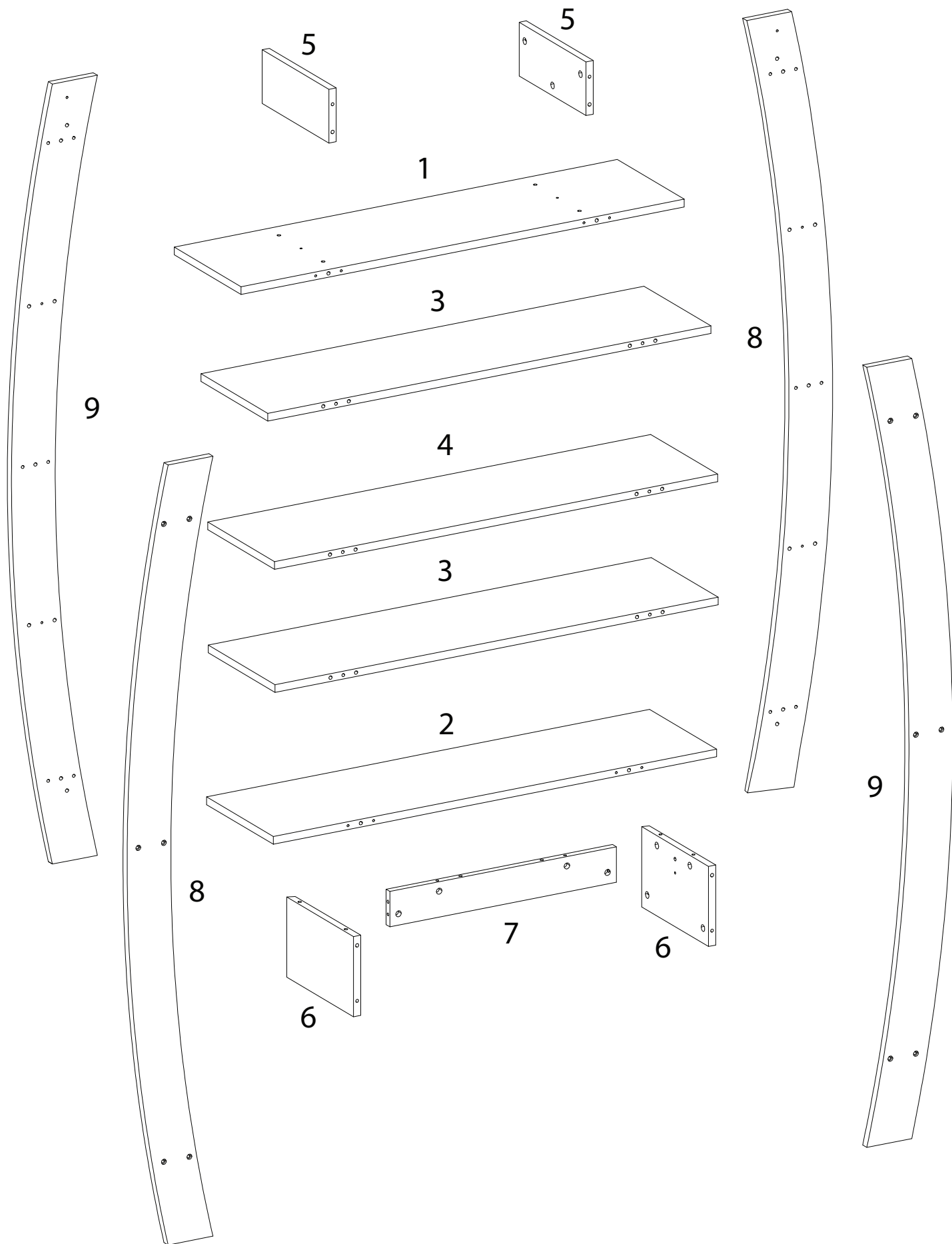


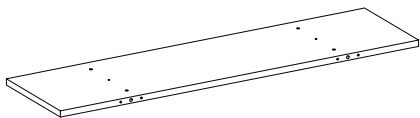
60'



2

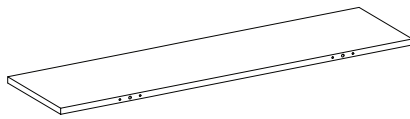


1



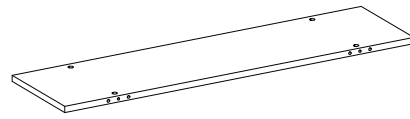
x 1

2



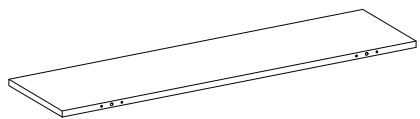
x 1

3



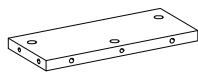
x 2

4



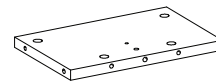
x 1

5



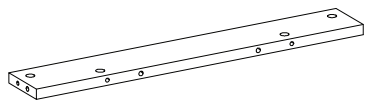
x 2

6



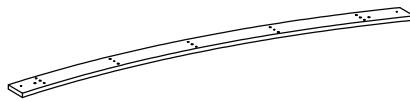
x 2

7



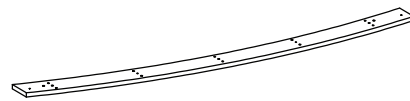
x 1

8



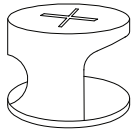
x 2

9



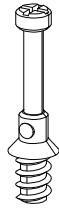
x 2

A



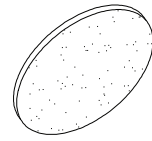
x 26

B



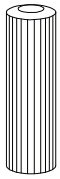
x 26

C



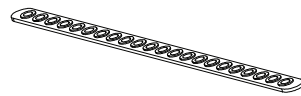
x 50

D



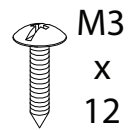
x 46

E



x 2

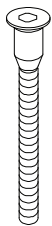
F



M3
x
12

x 2

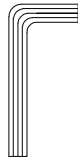
G



M6.3
x
50

x 24

H



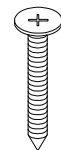
x 1

I



x 2

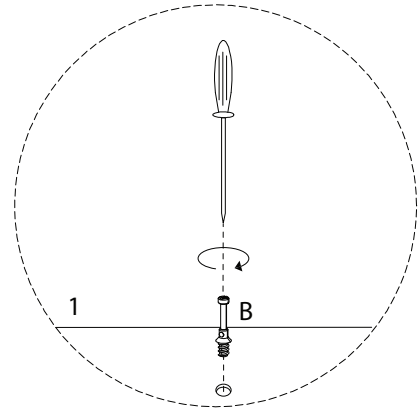
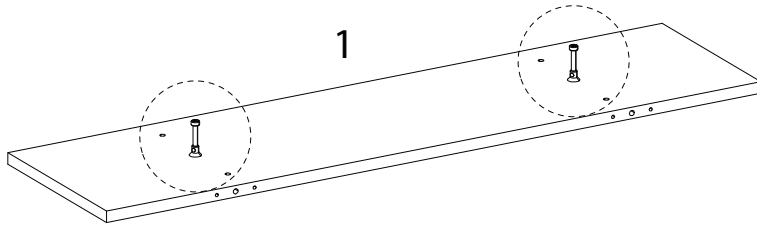
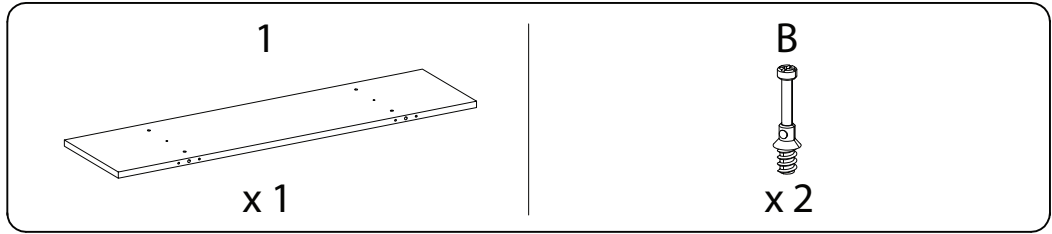
J



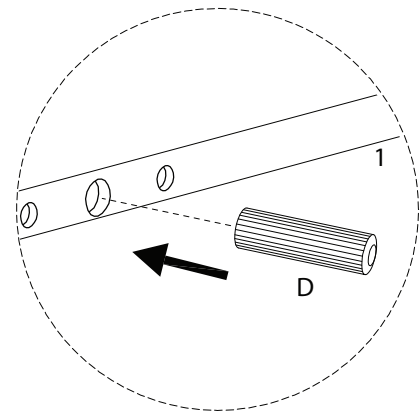
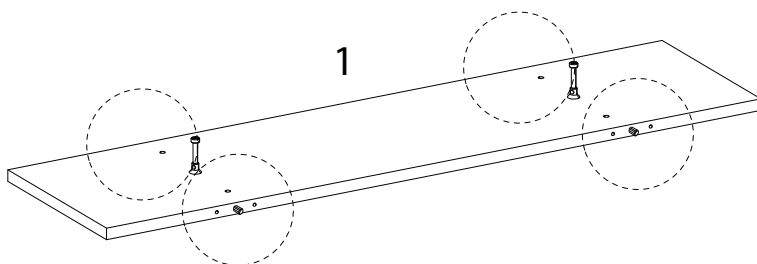
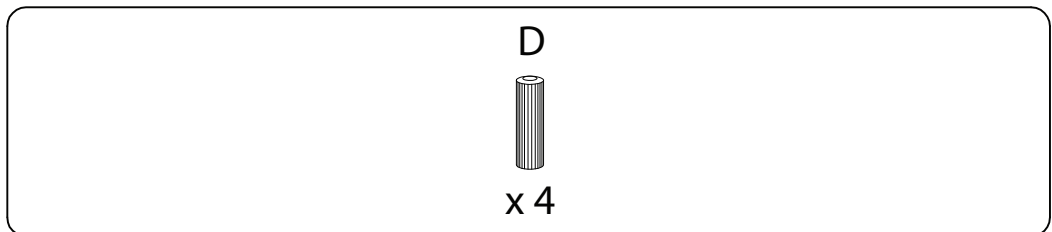
M8
x
38

x 2

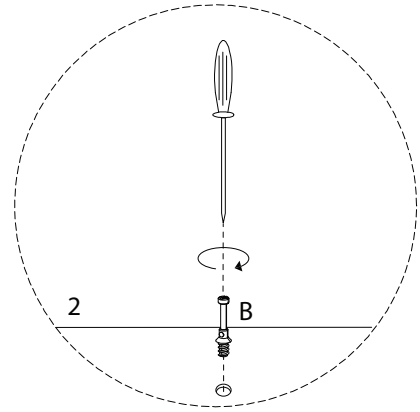
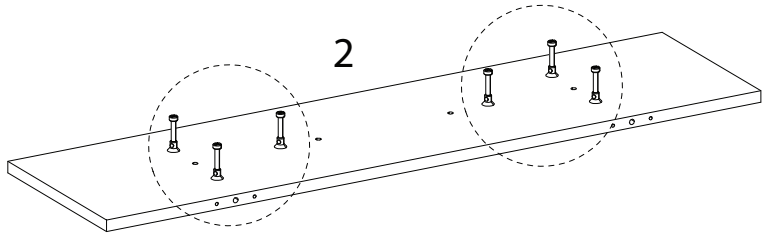
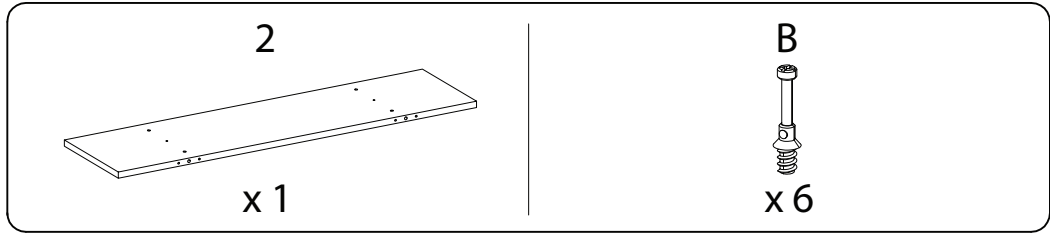
1



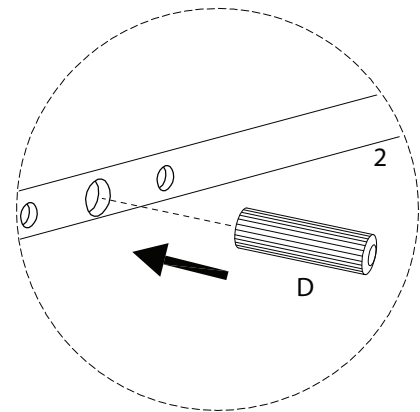
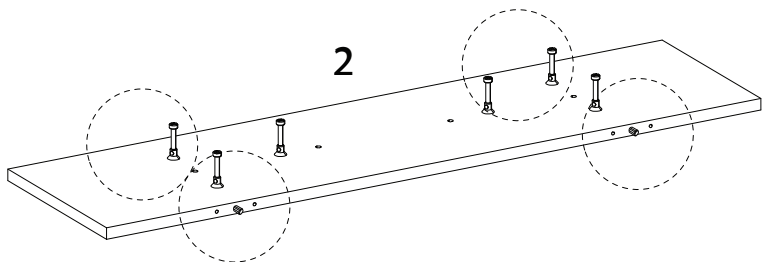
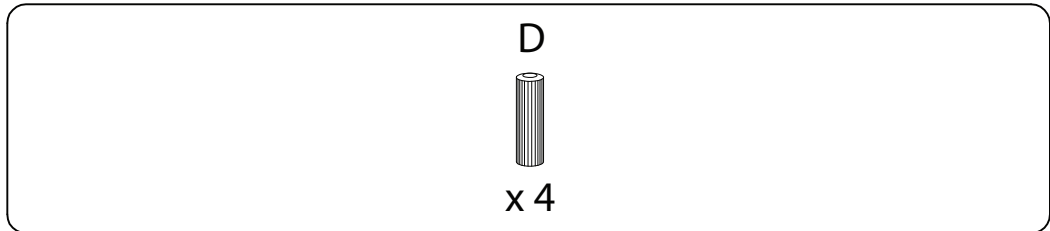
2



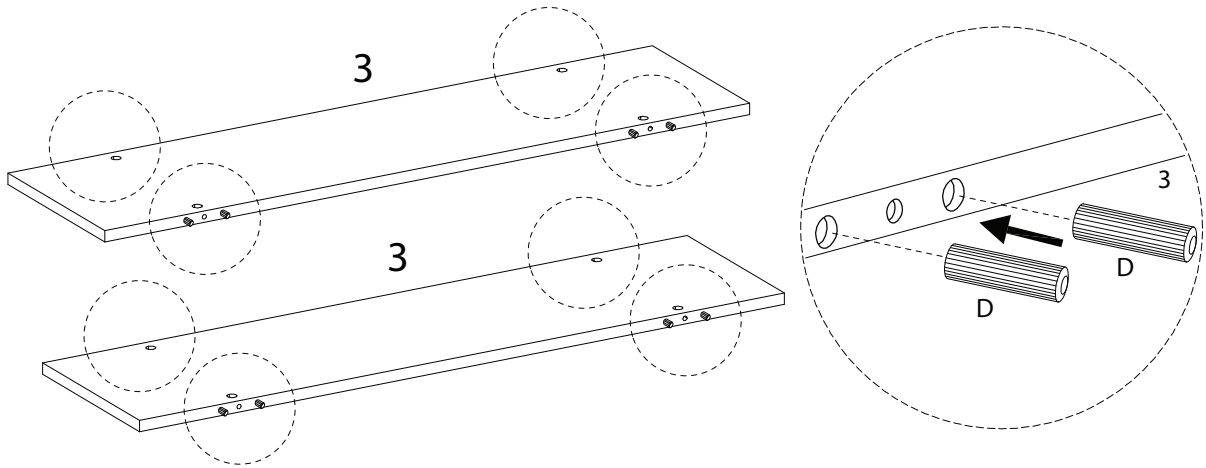
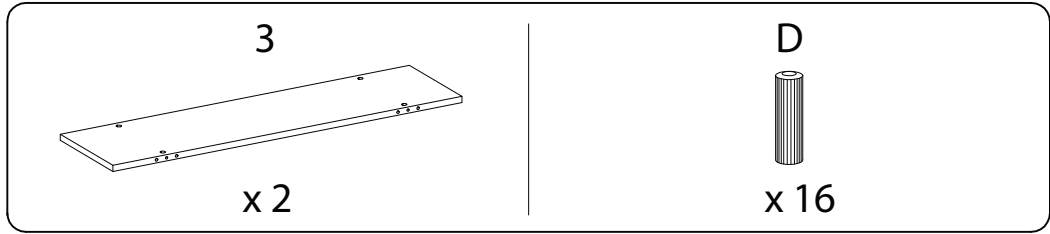
3



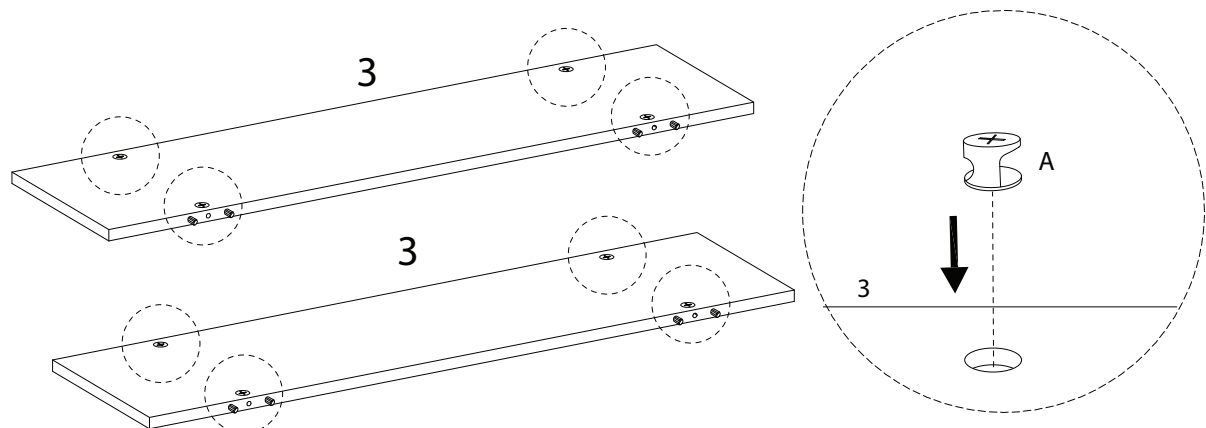
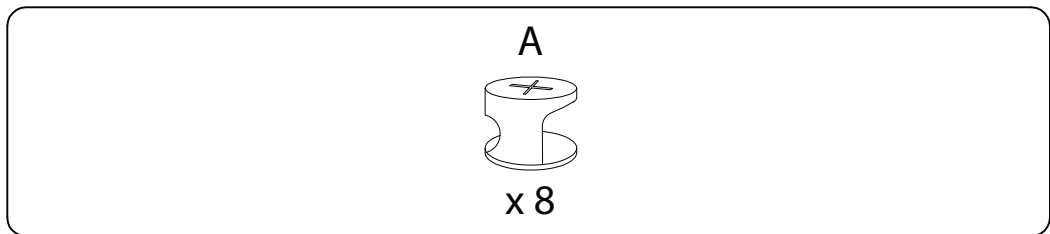
4



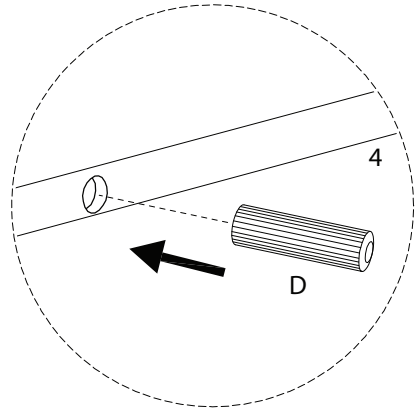
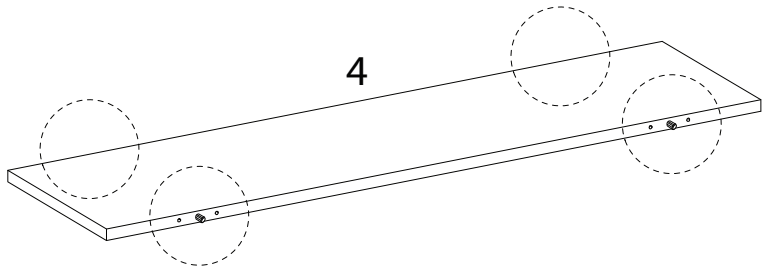
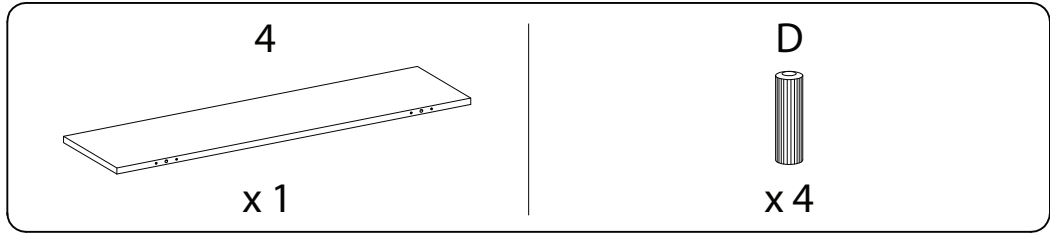
5



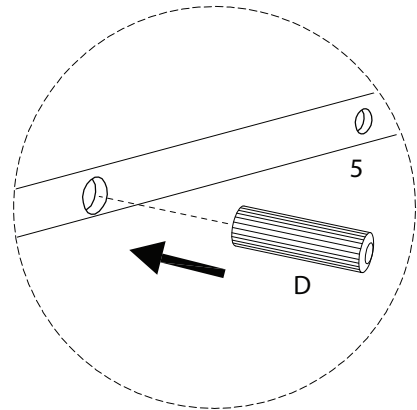
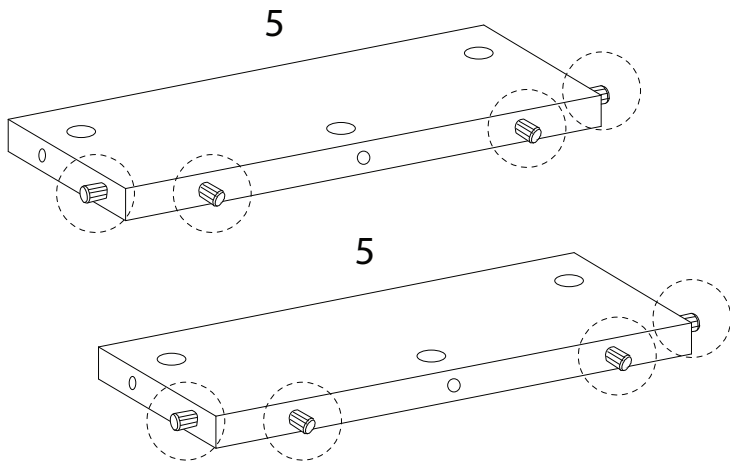
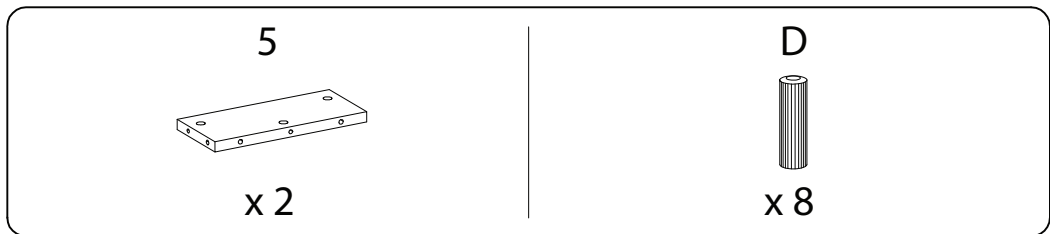
6



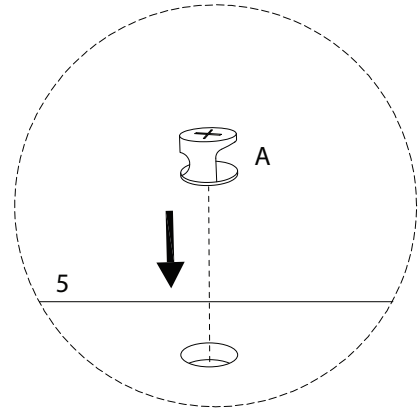
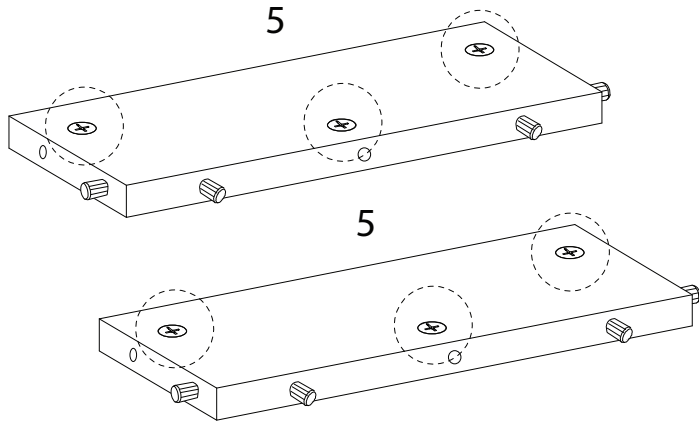
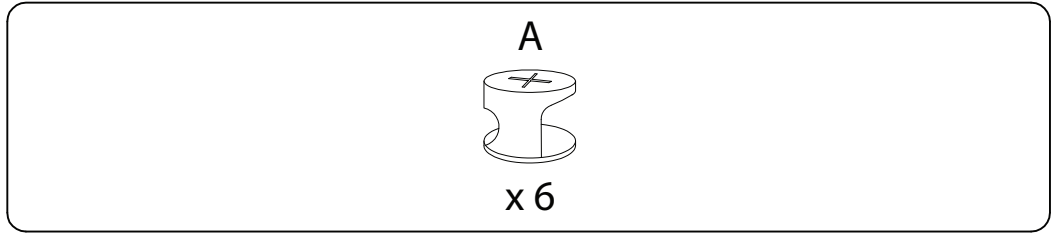
7



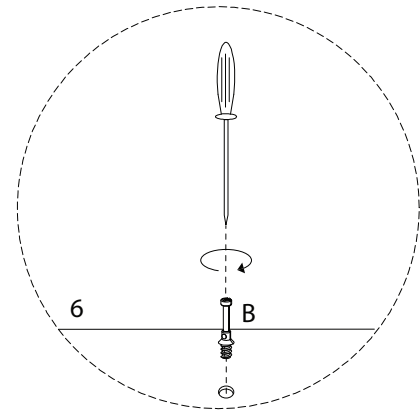
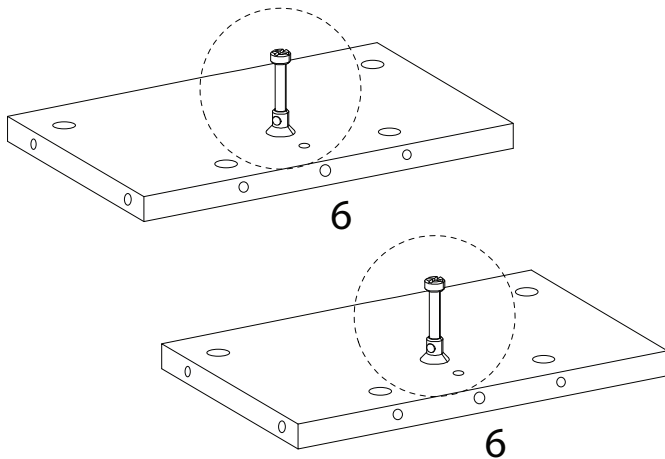
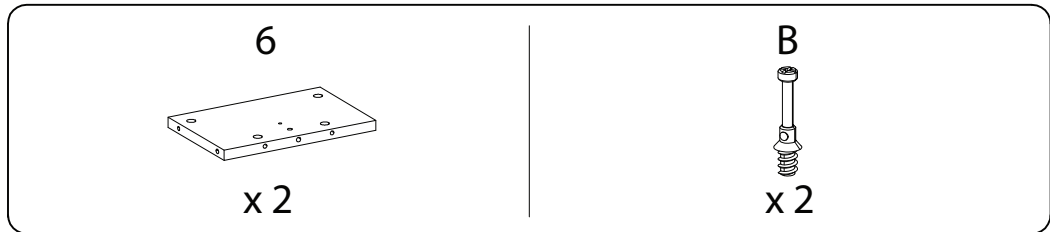
8




9

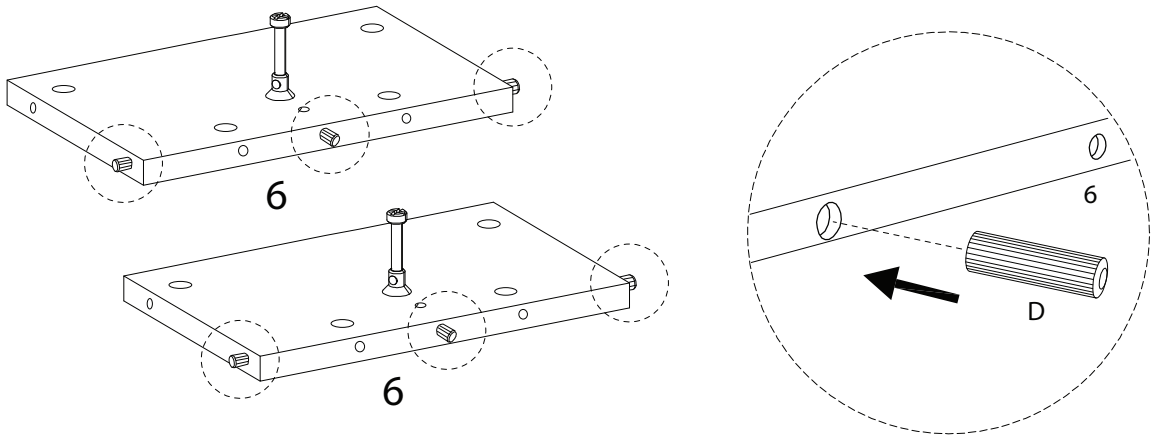


10

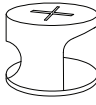


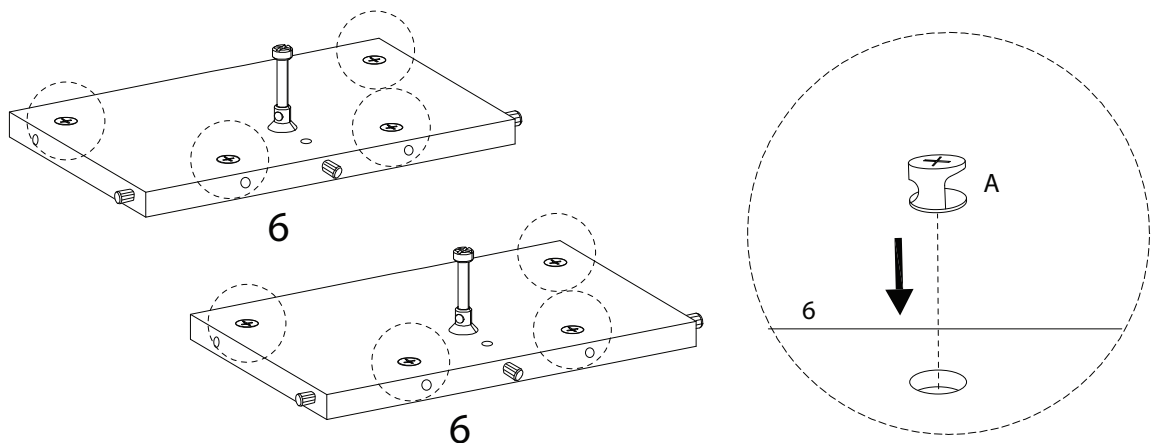
11

D

x 6

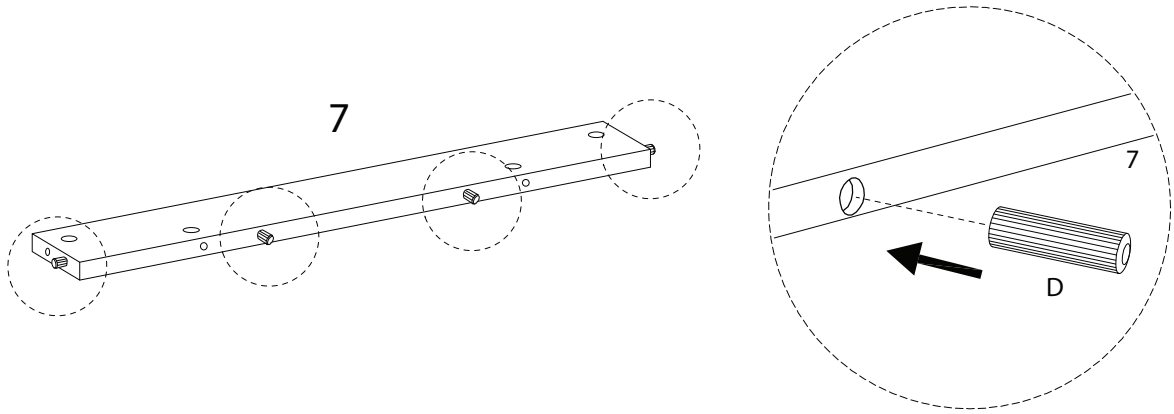
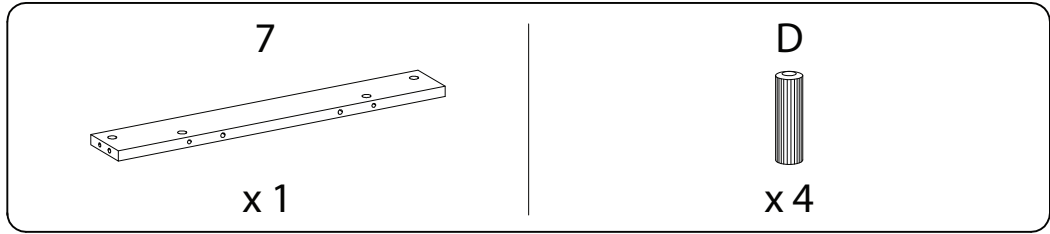


12

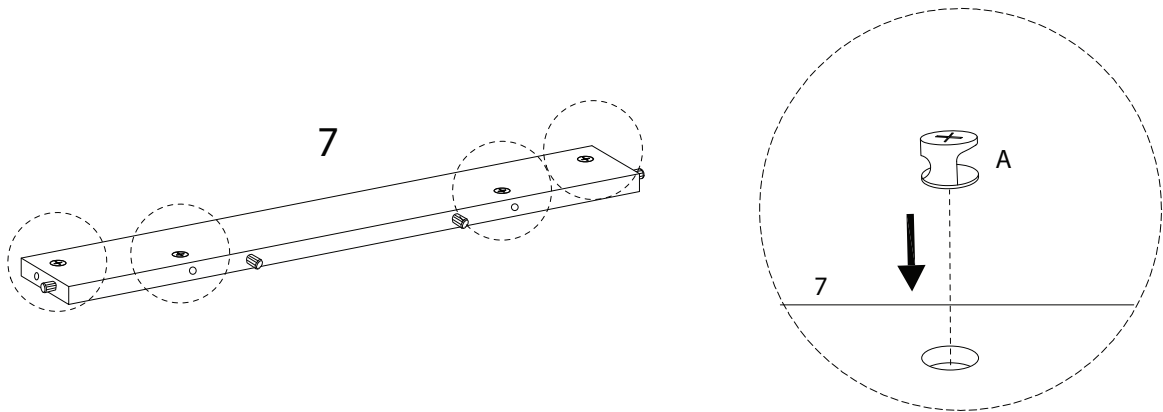
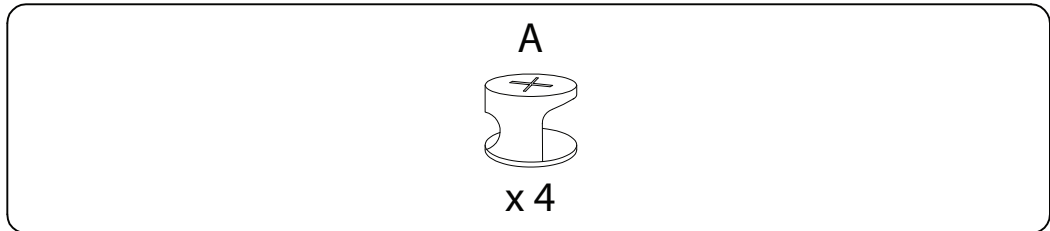
A

x 8



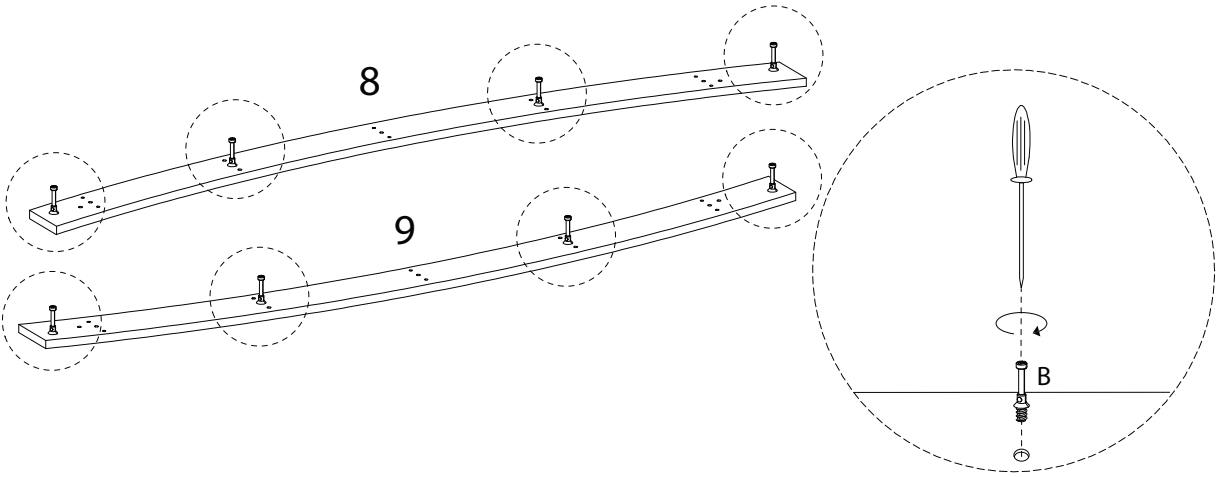
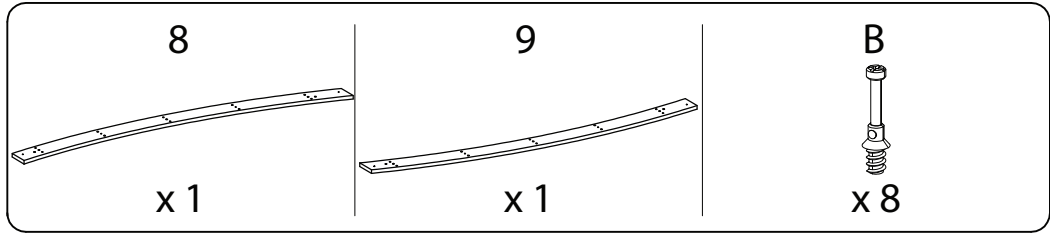
13



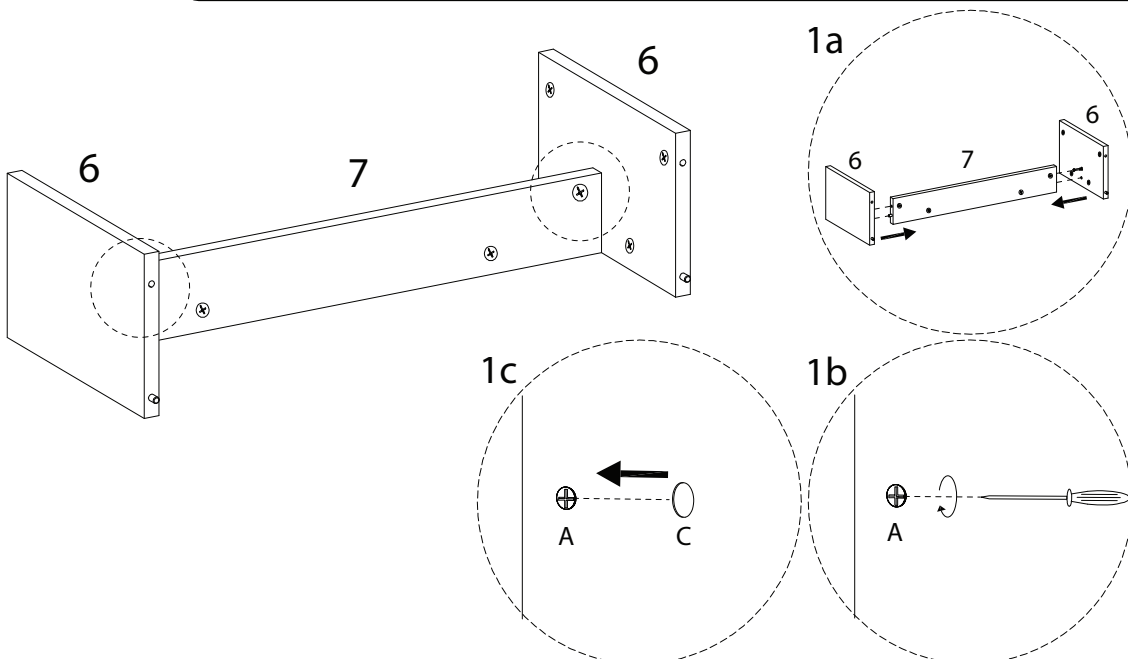
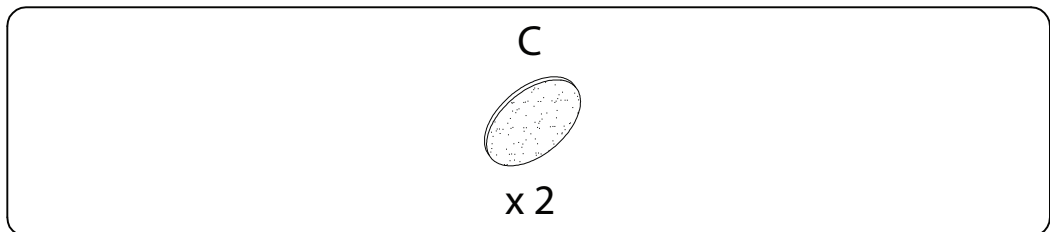
14



15 x 2

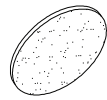


16

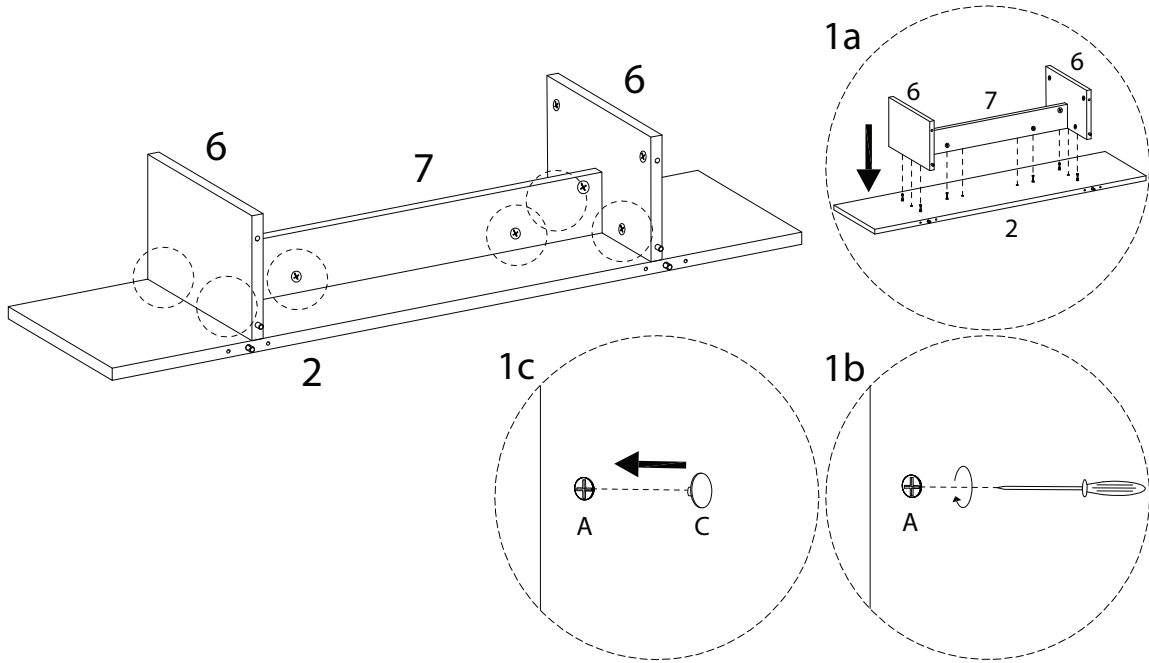


17

C

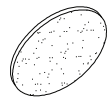


x6

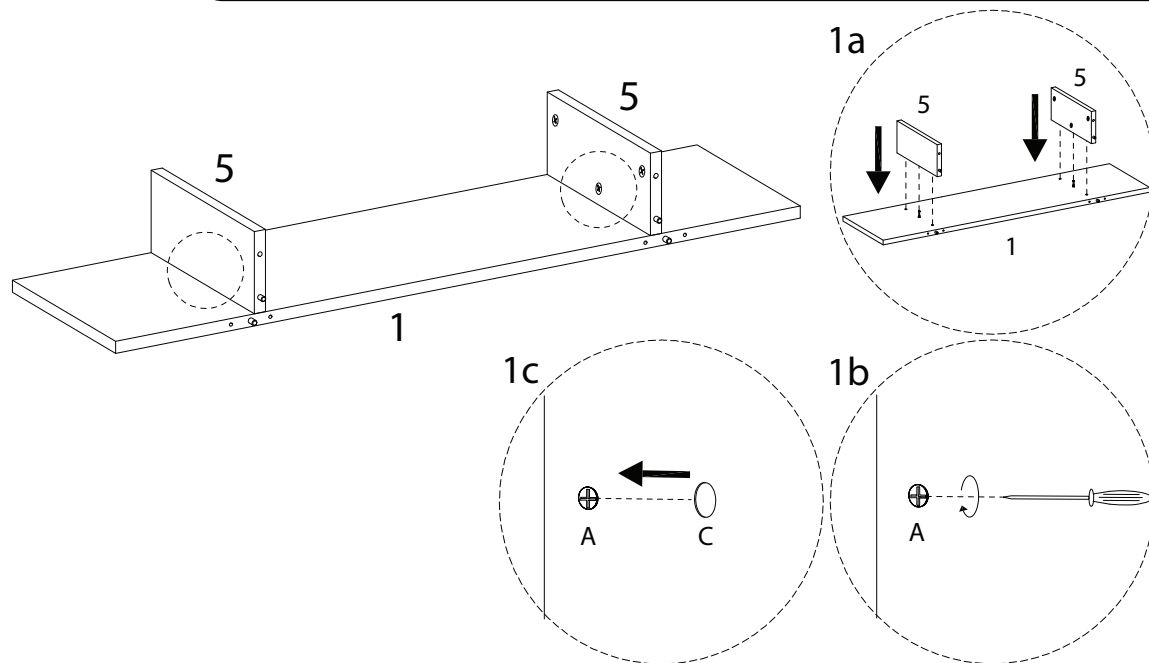


18

C

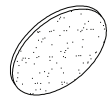


x2

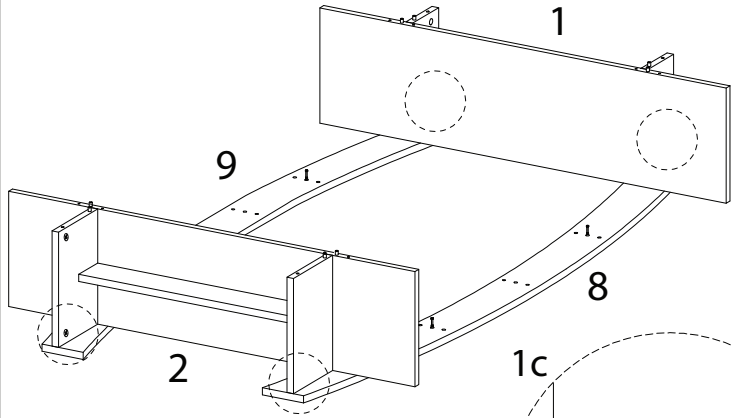


19

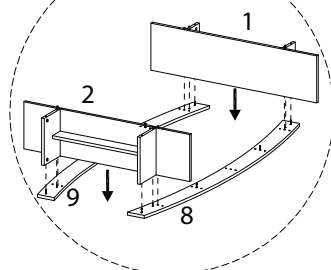
C



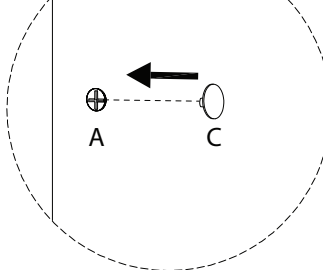
x 4



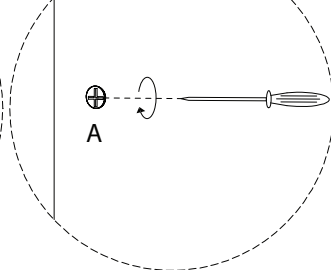
1a



1c

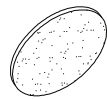


1b

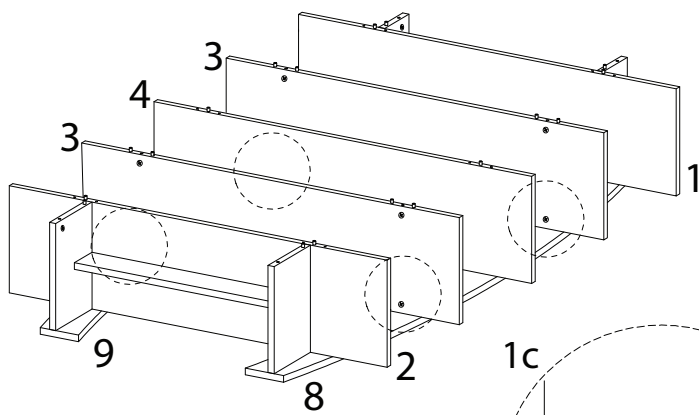


20

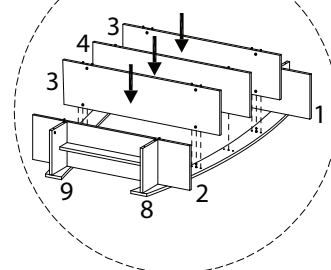
C



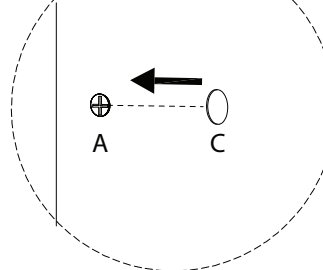
x 4



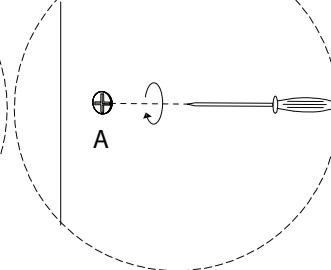
1a



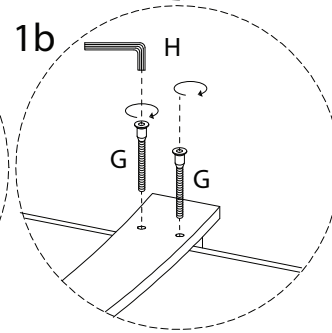
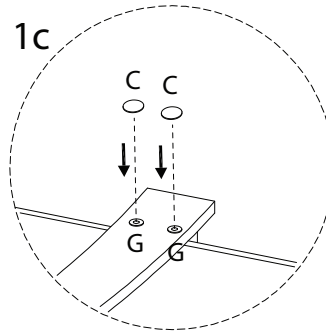
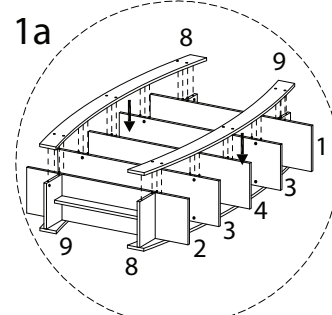
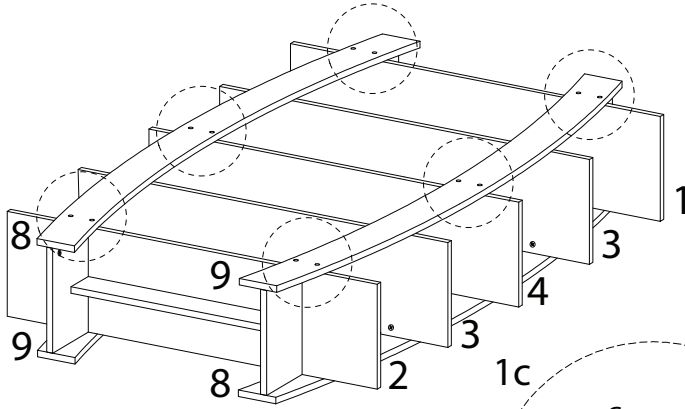
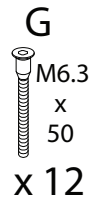
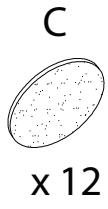
1c



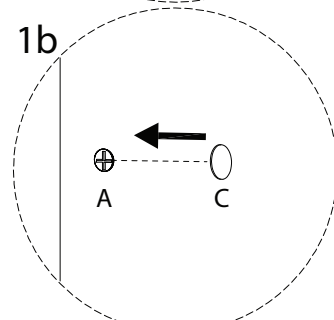
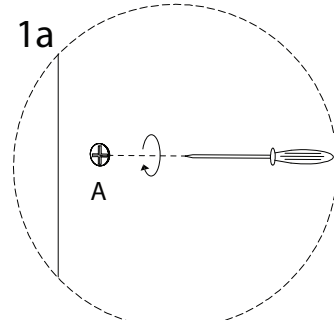
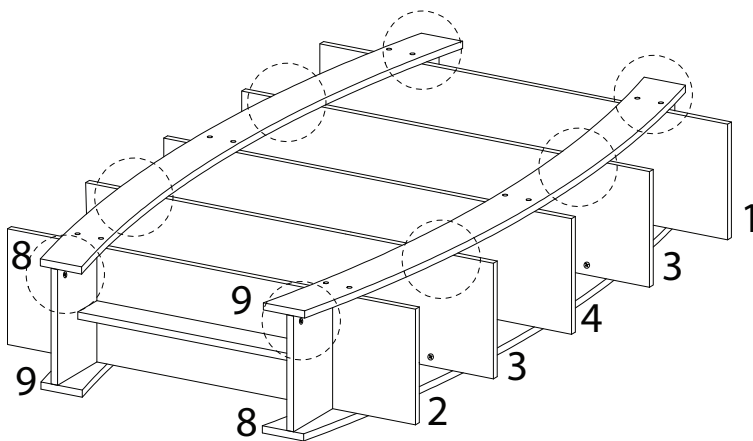
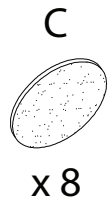
1b



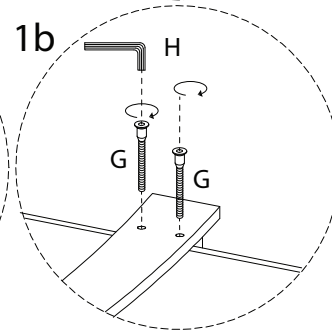
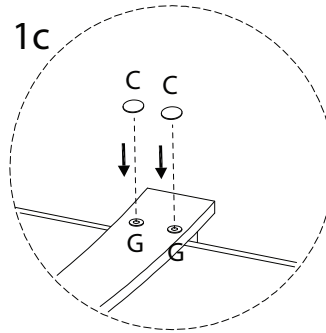
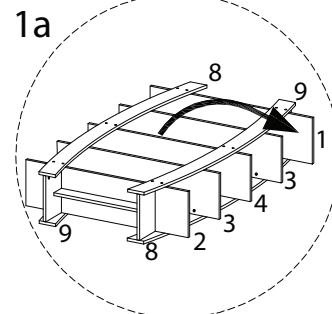
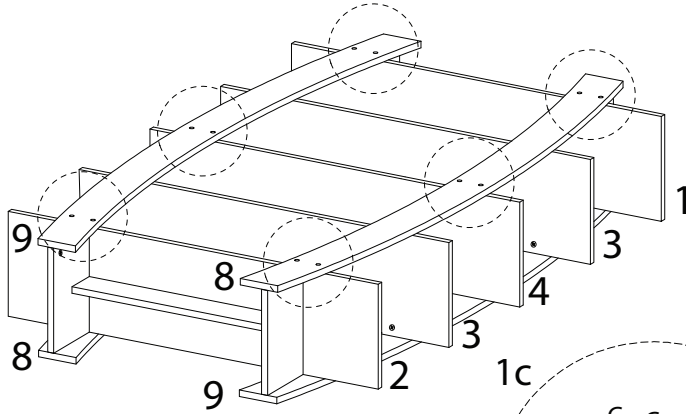
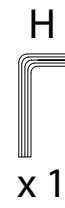
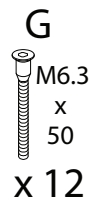
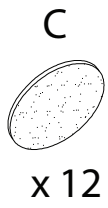
21



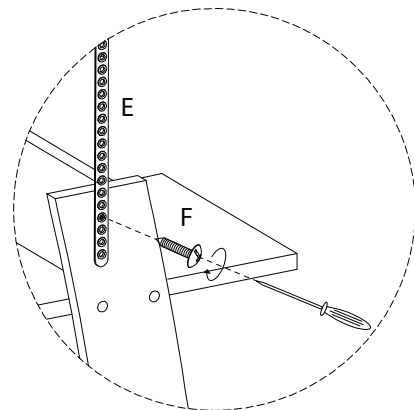
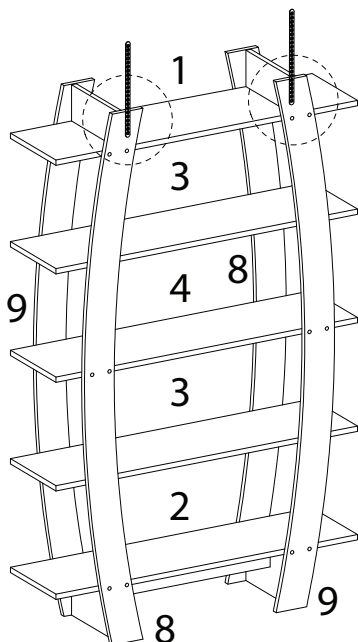
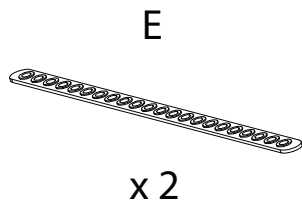
22



23



24



25

