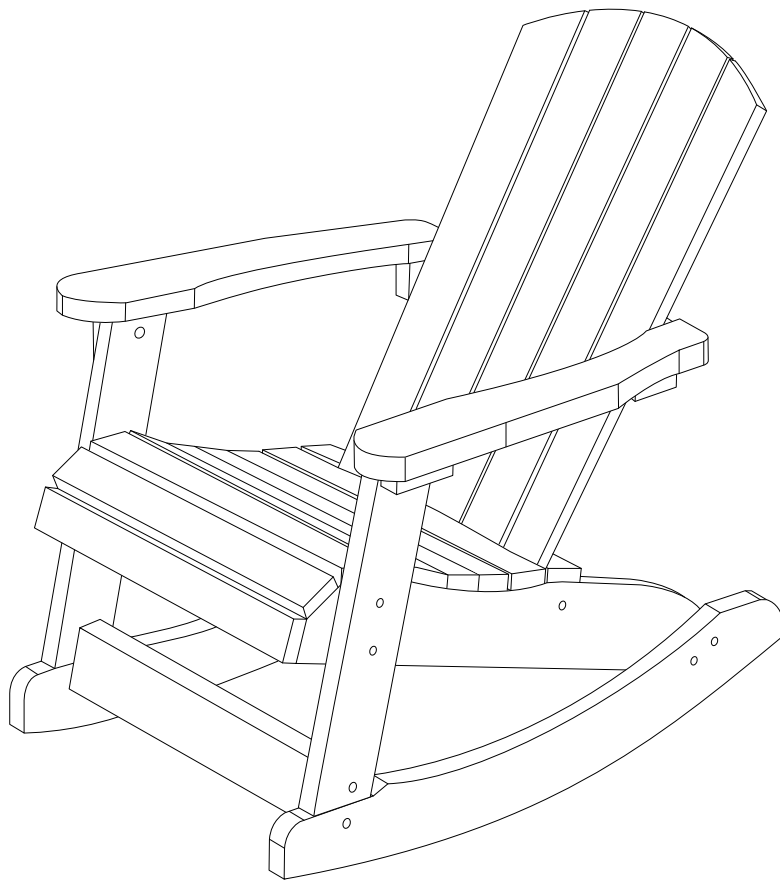
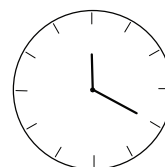
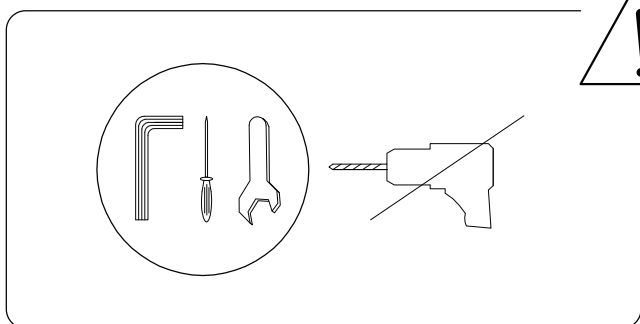
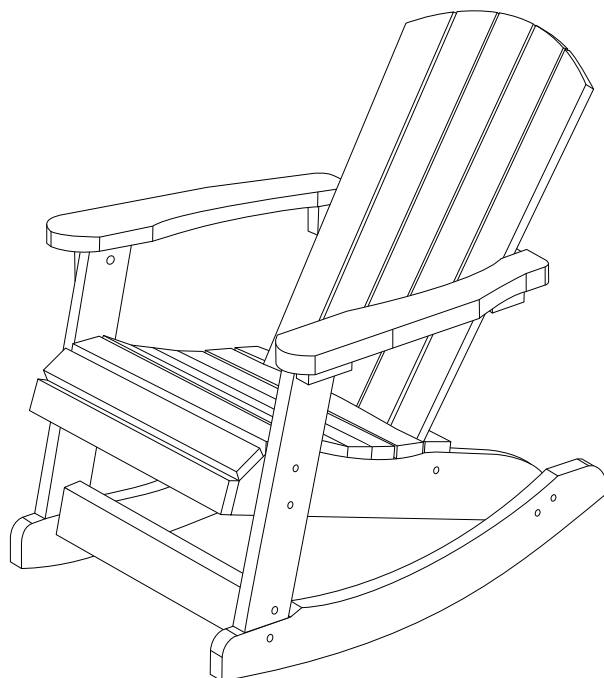
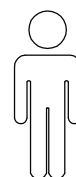
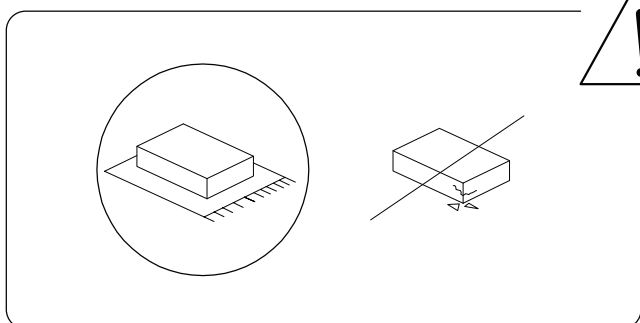


ADIRONDACK

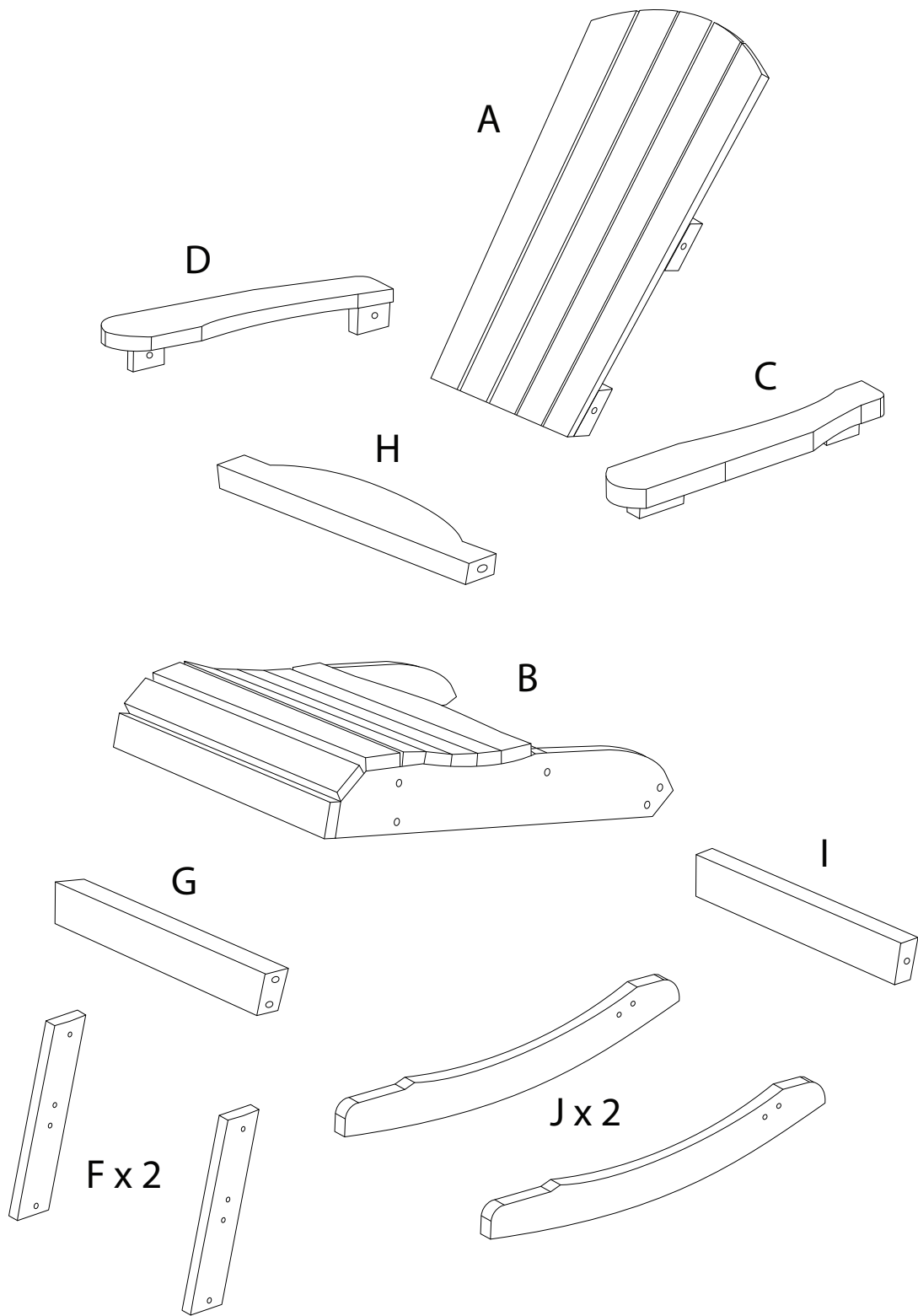




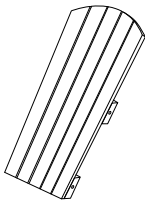
20'



1

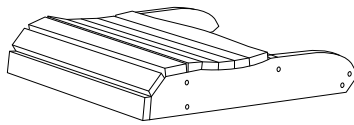


A



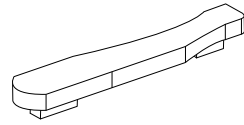
x 1

B



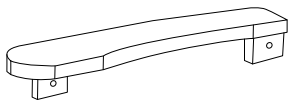
x 1

C



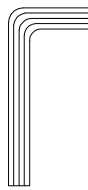
x 1

D



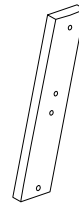
x 1

E



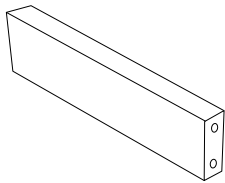
x 1

F



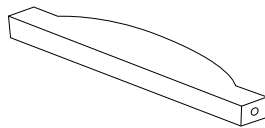
x 2

G



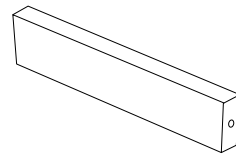
x 1

H



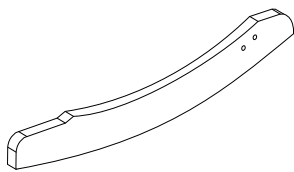
x 1

I



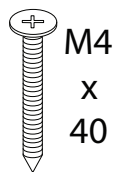
x 1

J



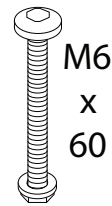
x 2

K



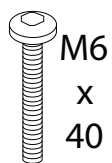
x 2

L



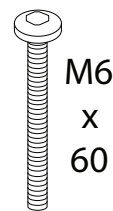
x 8

M



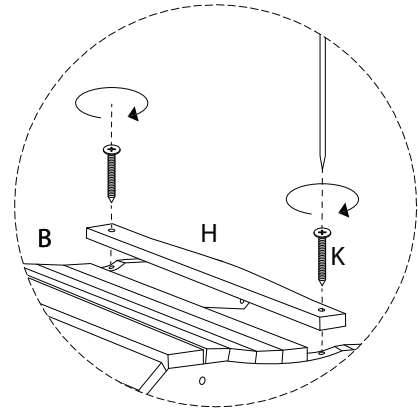
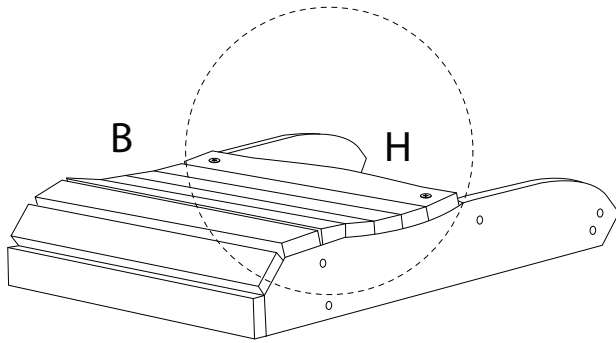
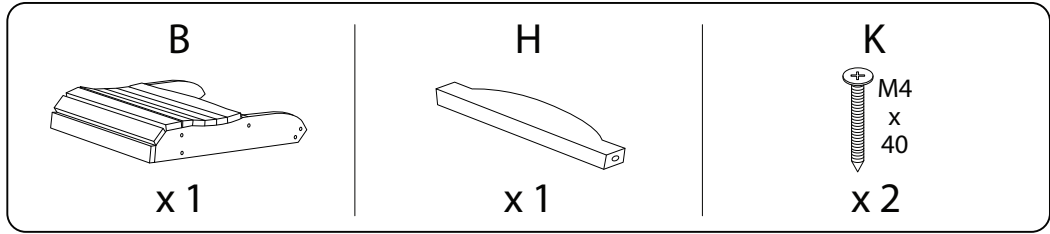
x 8

N

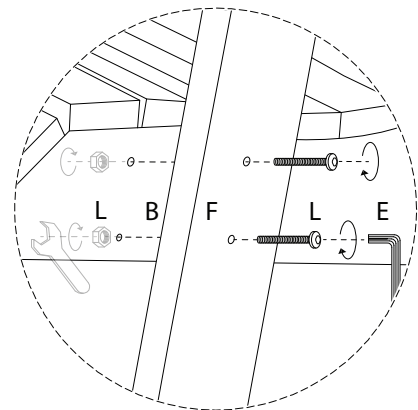
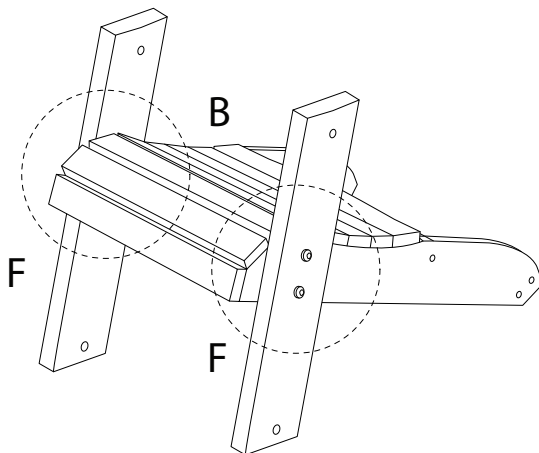
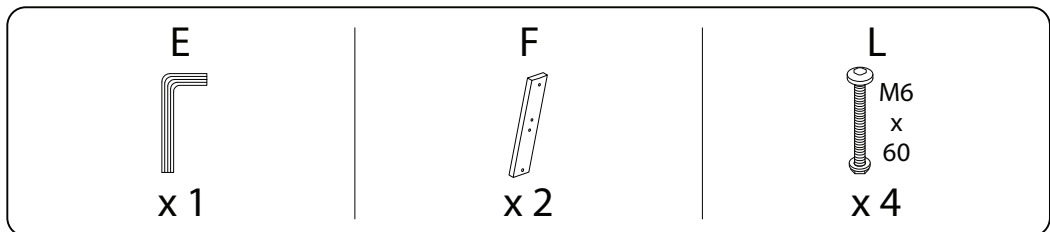


x 2

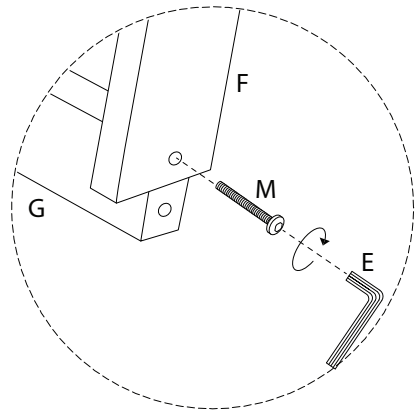
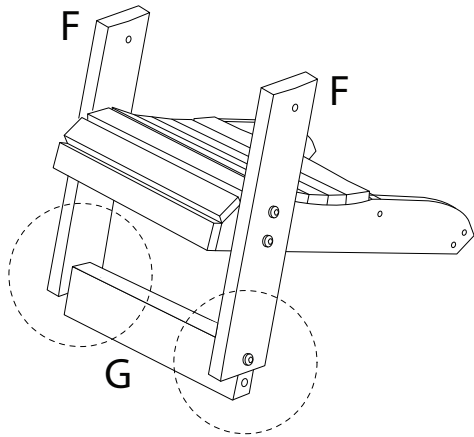
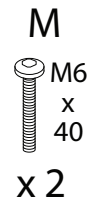
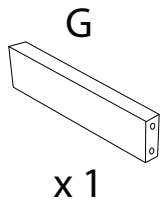
1



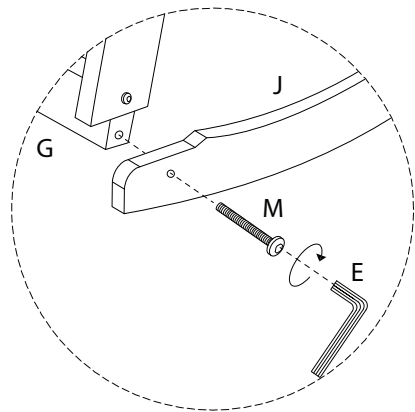
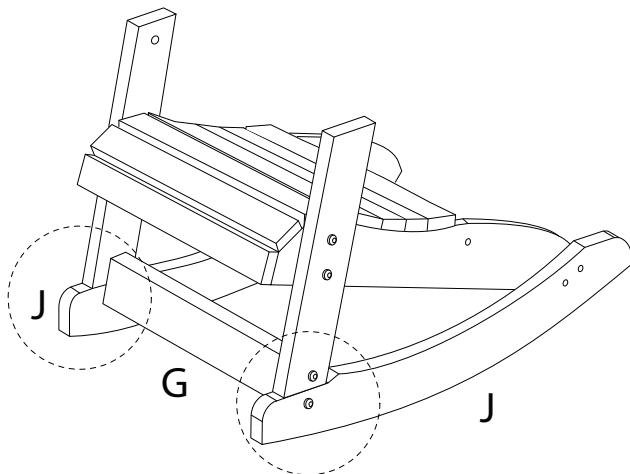
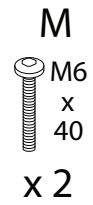
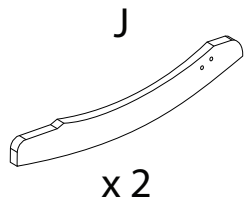
2



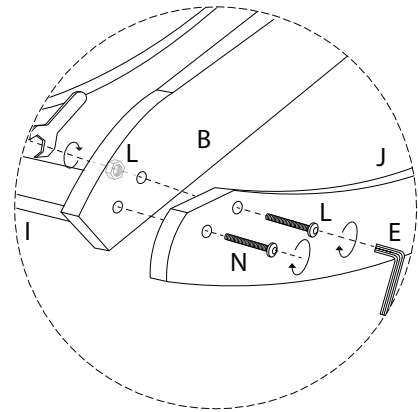
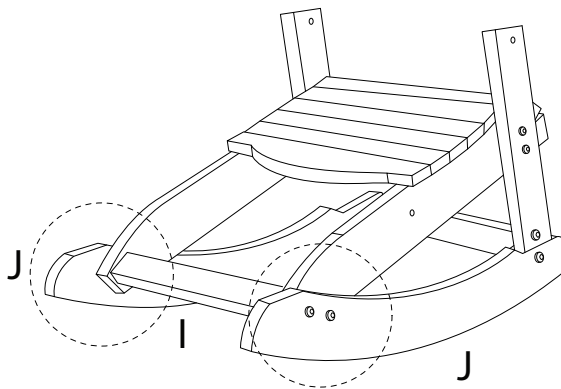
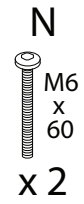
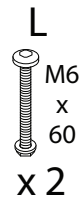
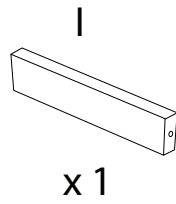
3



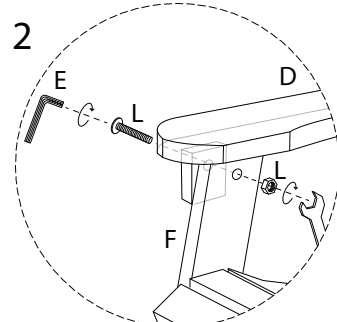
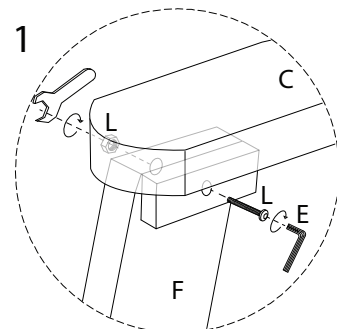
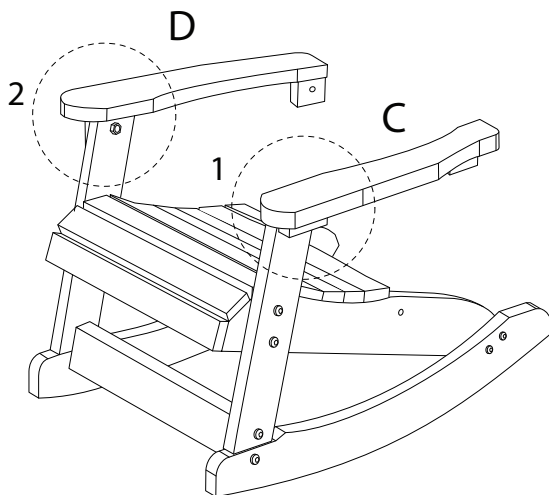
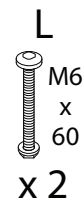
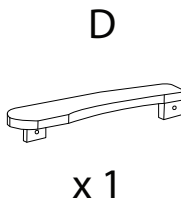
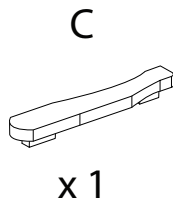
4



5



6



7

