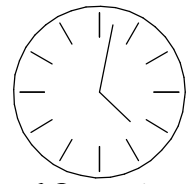
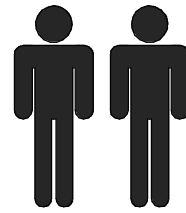
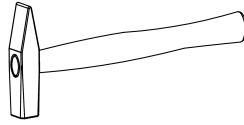
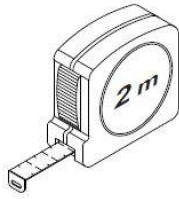
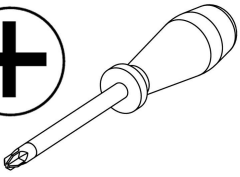
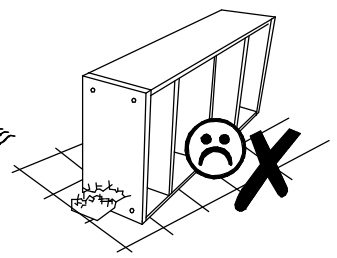
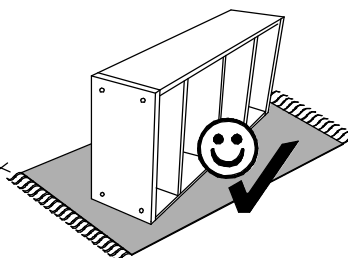
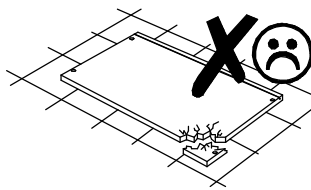
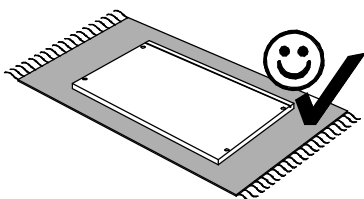
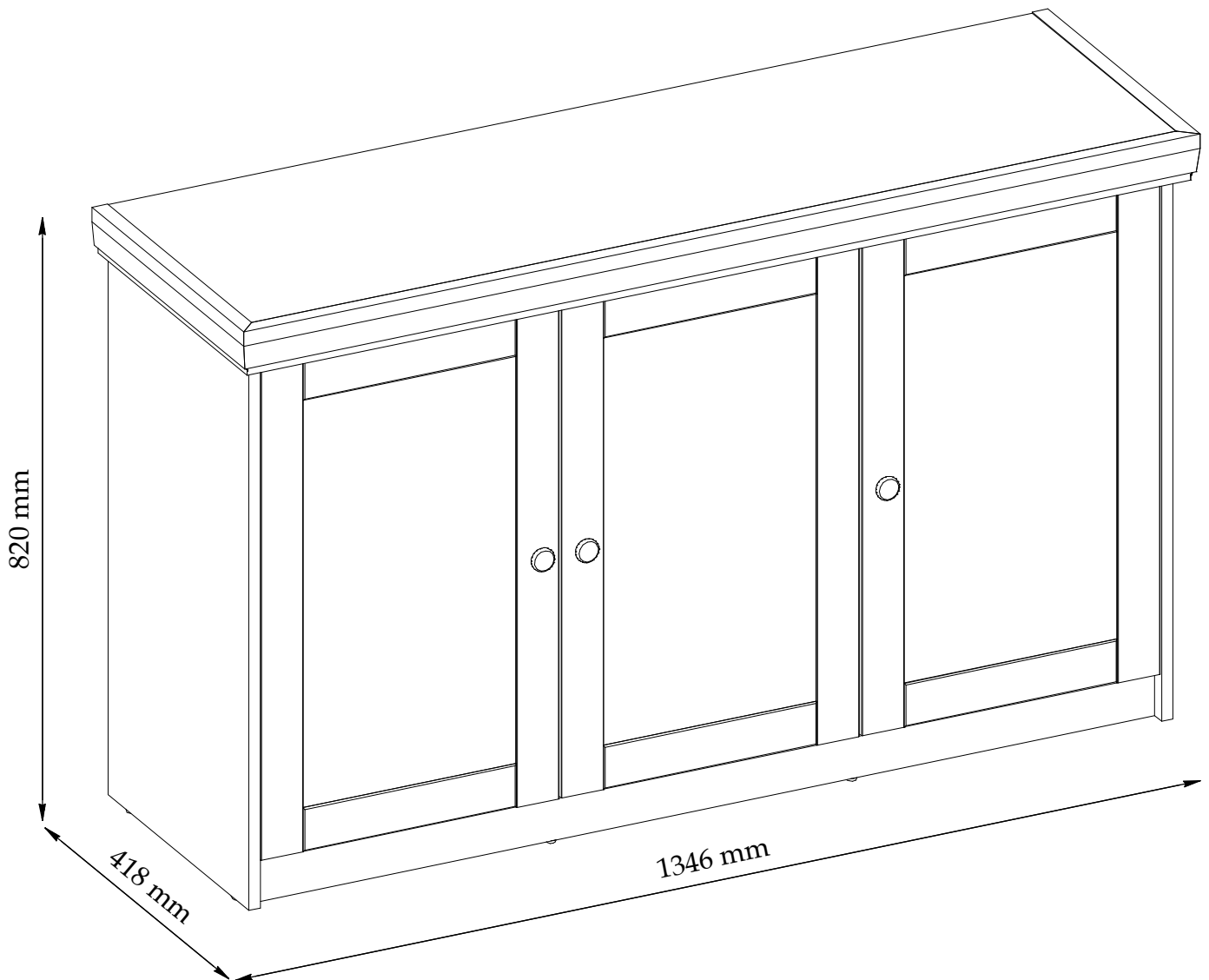
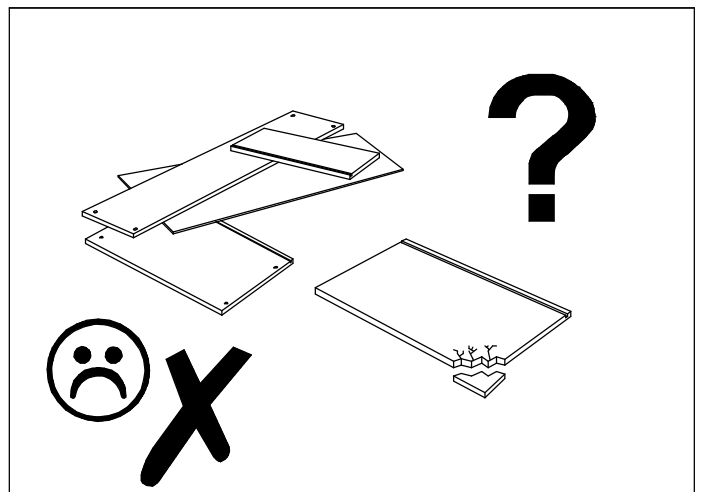
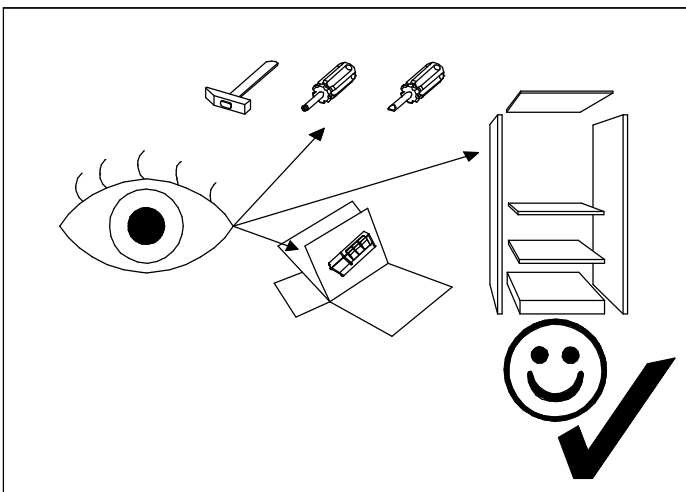
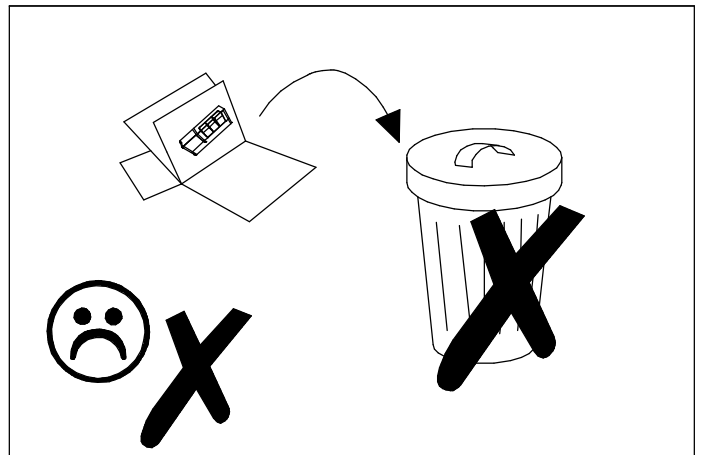
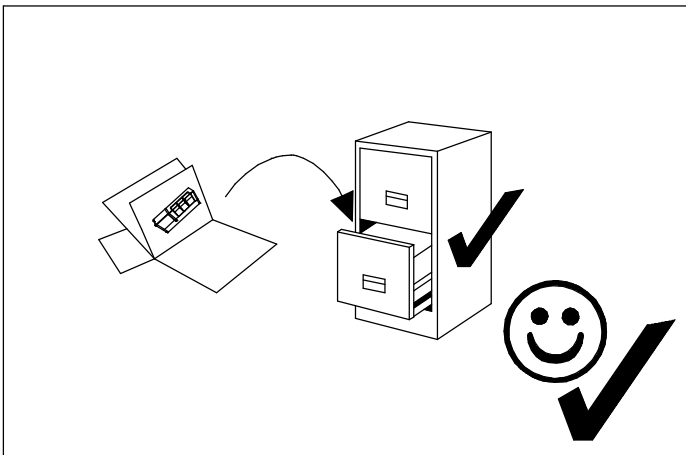
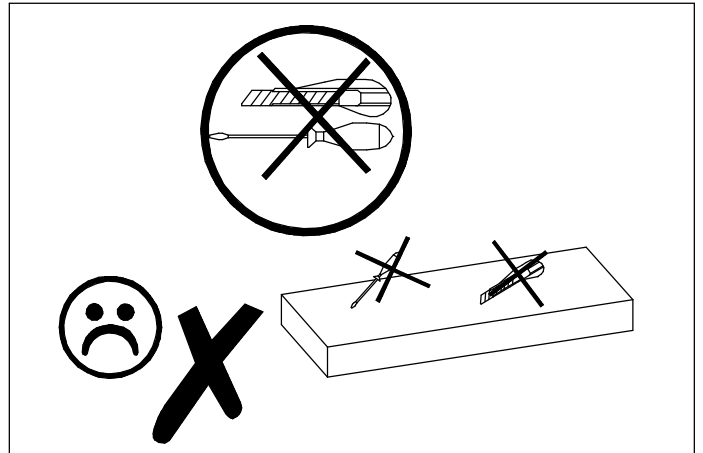
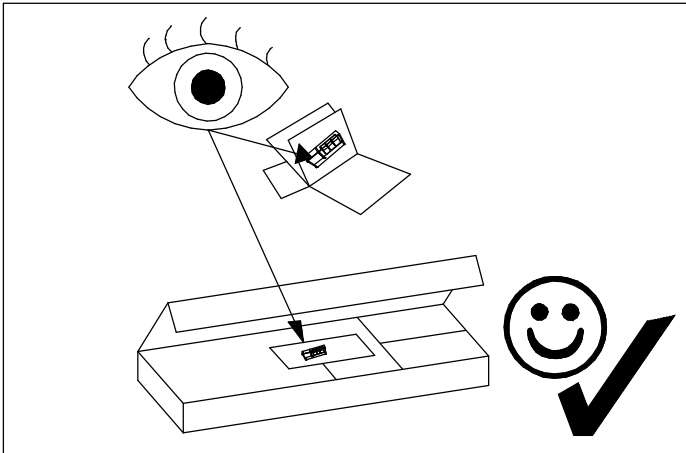


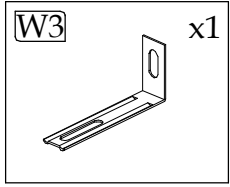
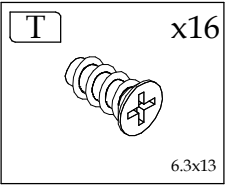
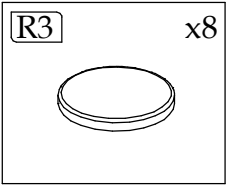
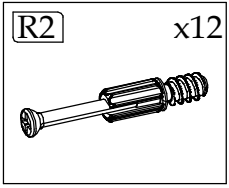
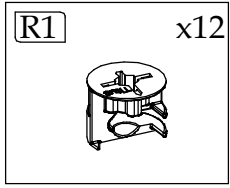
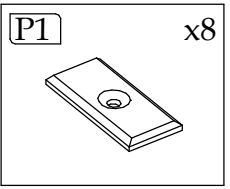
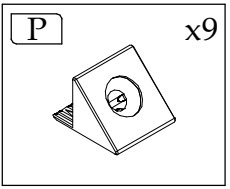
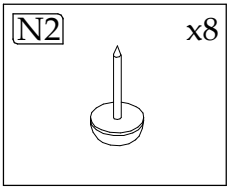
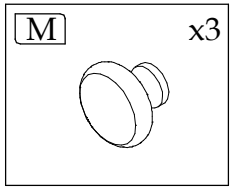
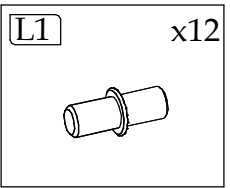
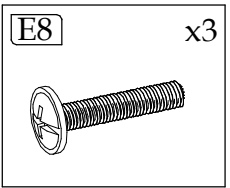
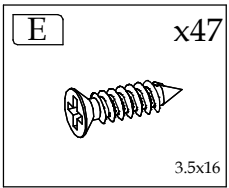
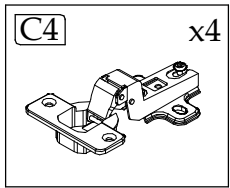
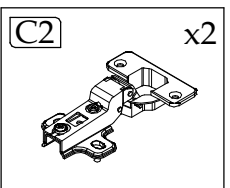
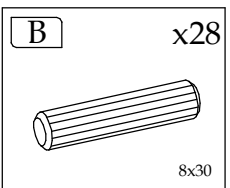
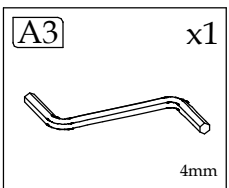
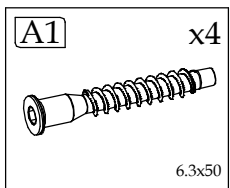
Sky 4 commode 3d



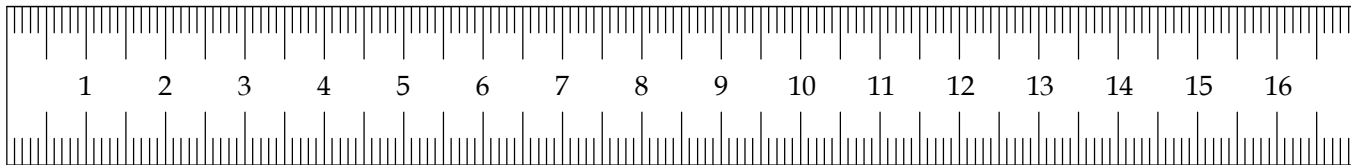
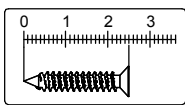
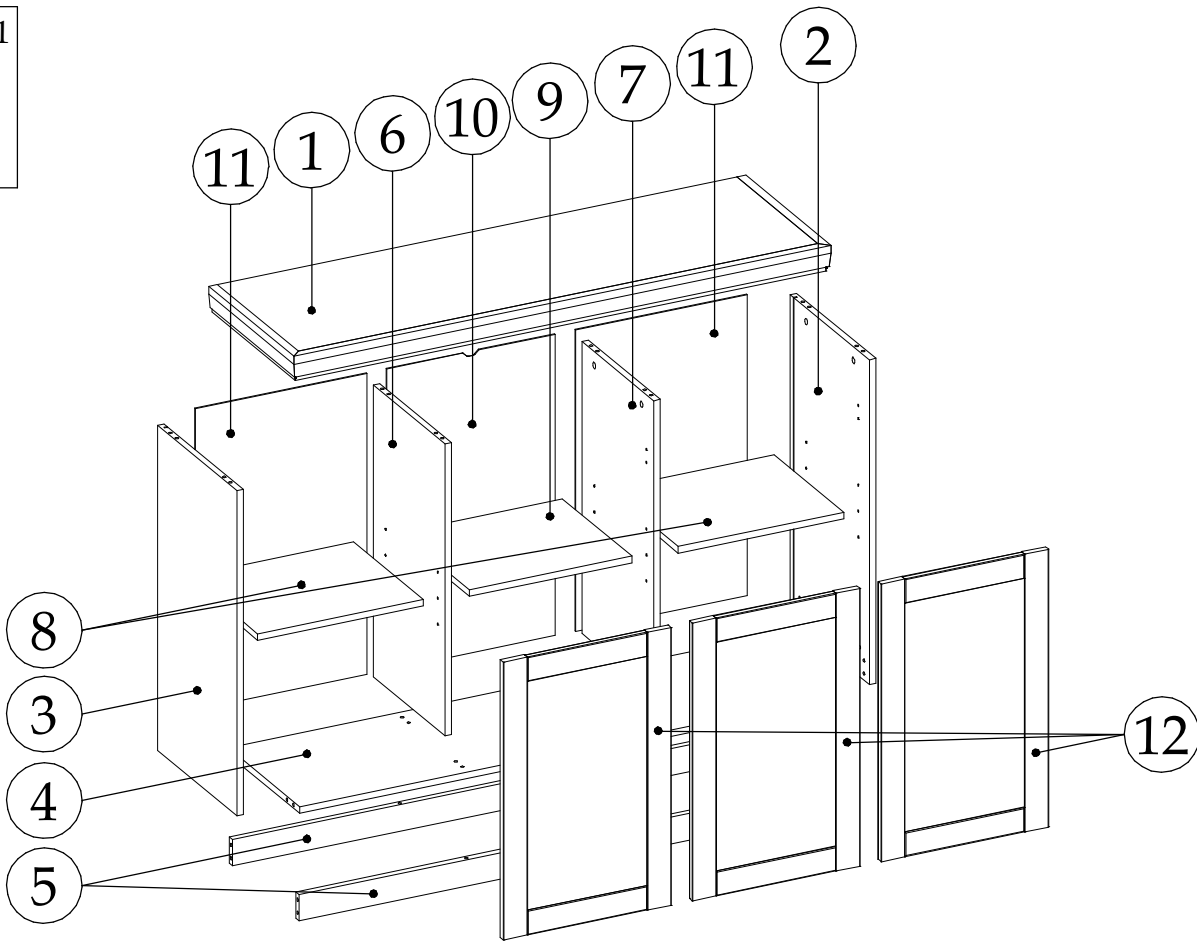
60 min

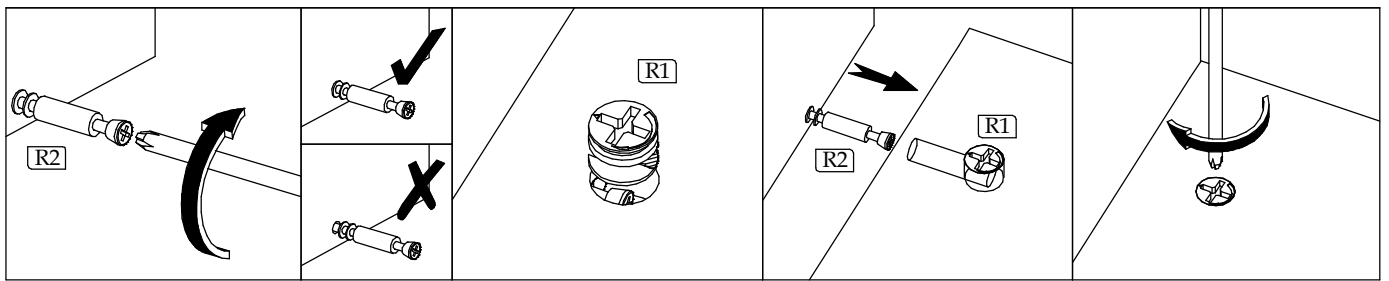




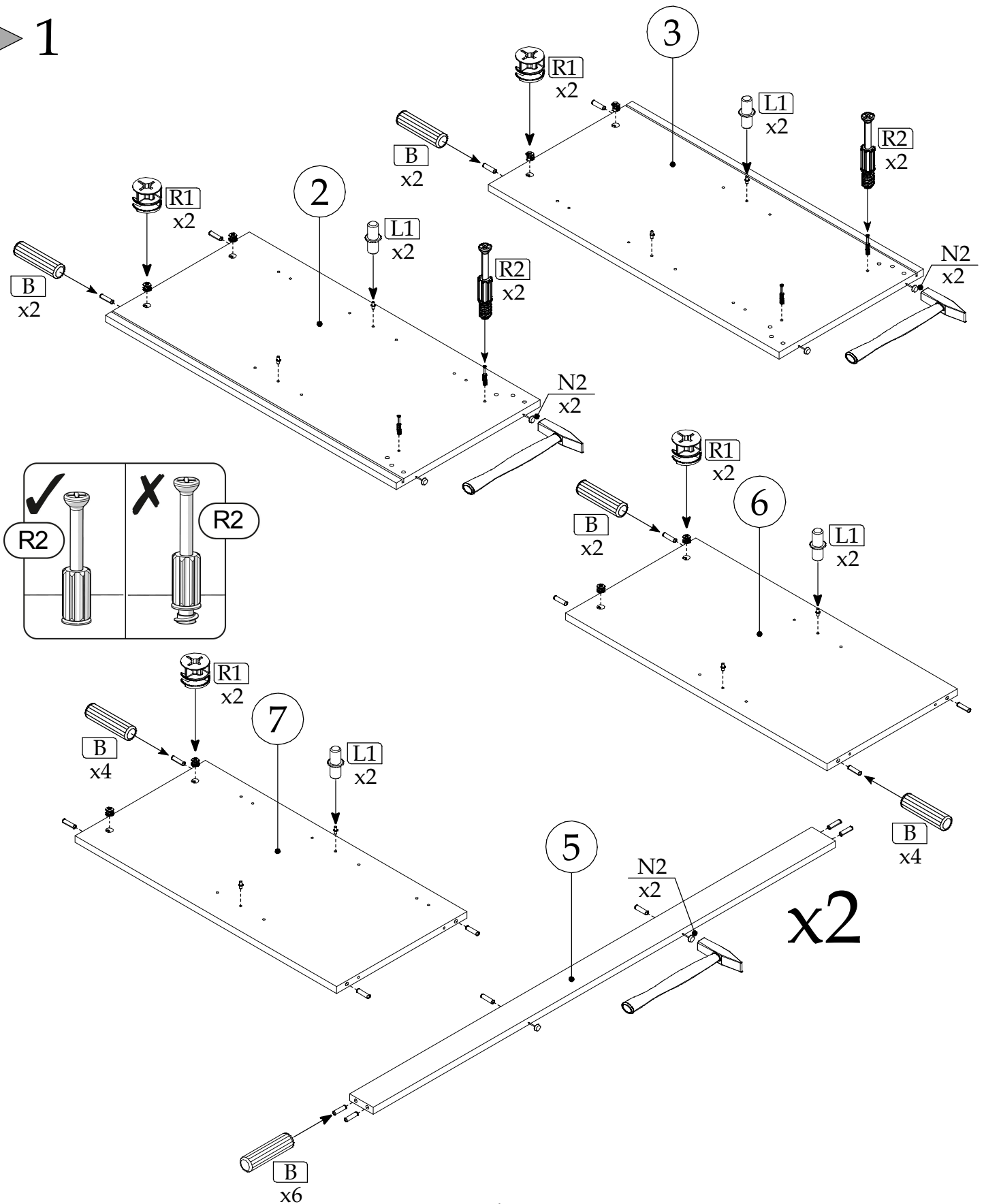


Element symbol	Measurements				Code	Paket
	1	2	3	4		
1	1346	418	65	1	1002	2/2
2	799	395.5	16	1	1004	1/2
3	799	395.5	16	1	1001	1/2
4	1269	358.5	16	1	1005	2/2
5	1269	65	16	2	1007	2/2
6	718	358	16	1	1009	1/2
7	718	358	16	1	1010	1/2
8	415	348	16	2	N/A	2/2
9	407	348	16	1	N/A	2/2
10	741	422	3	1	1006	1/2
11	741	430	3	2	N/A	1/2
12	683	420	16	3	3001	1/2

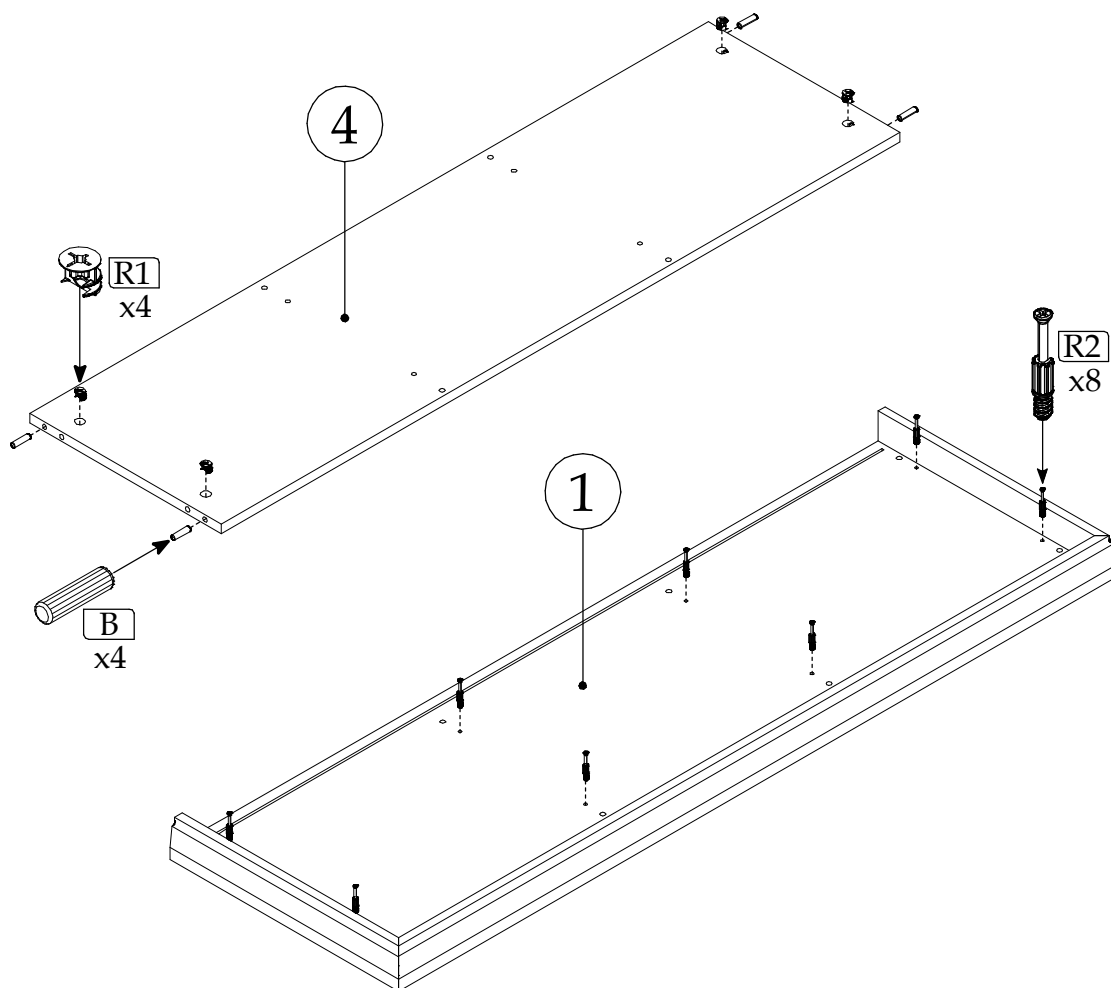




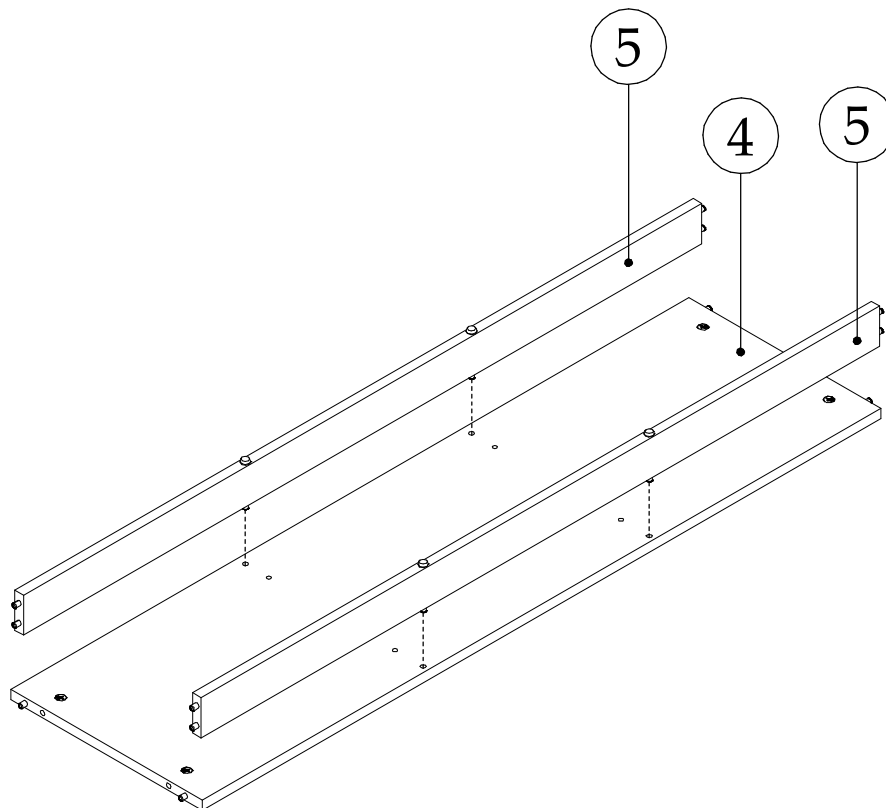
► 1



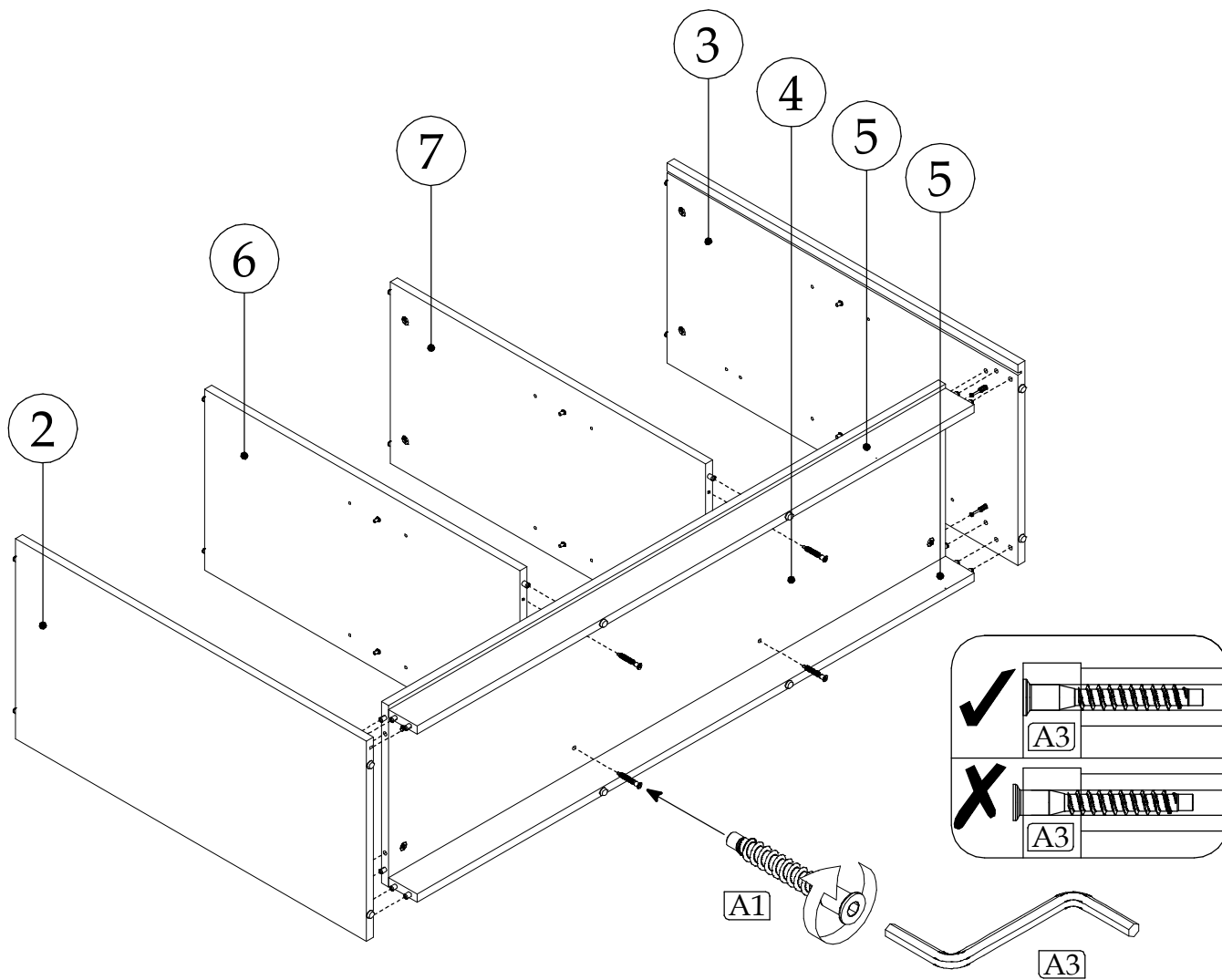
▶ 2



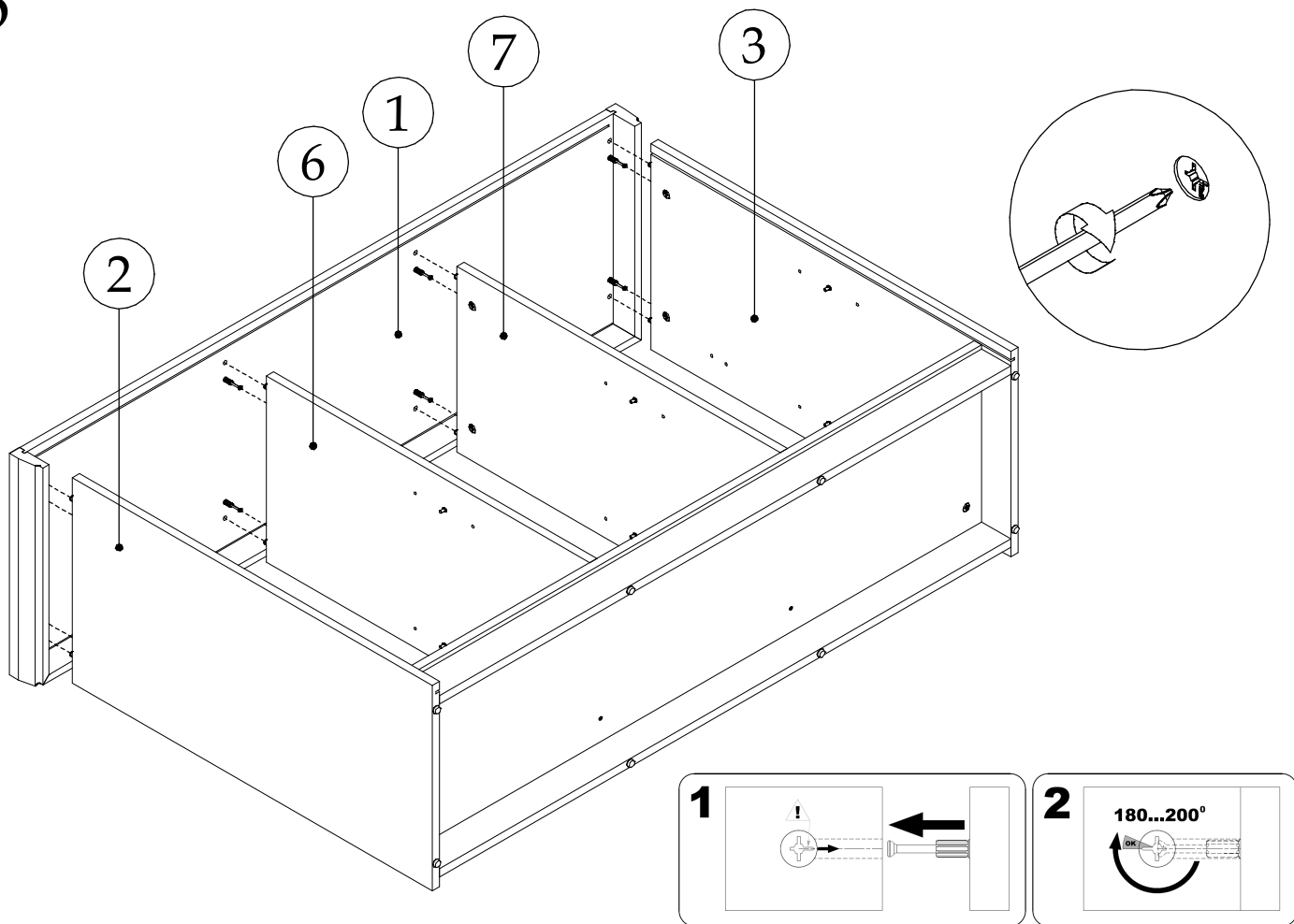
▶ 3



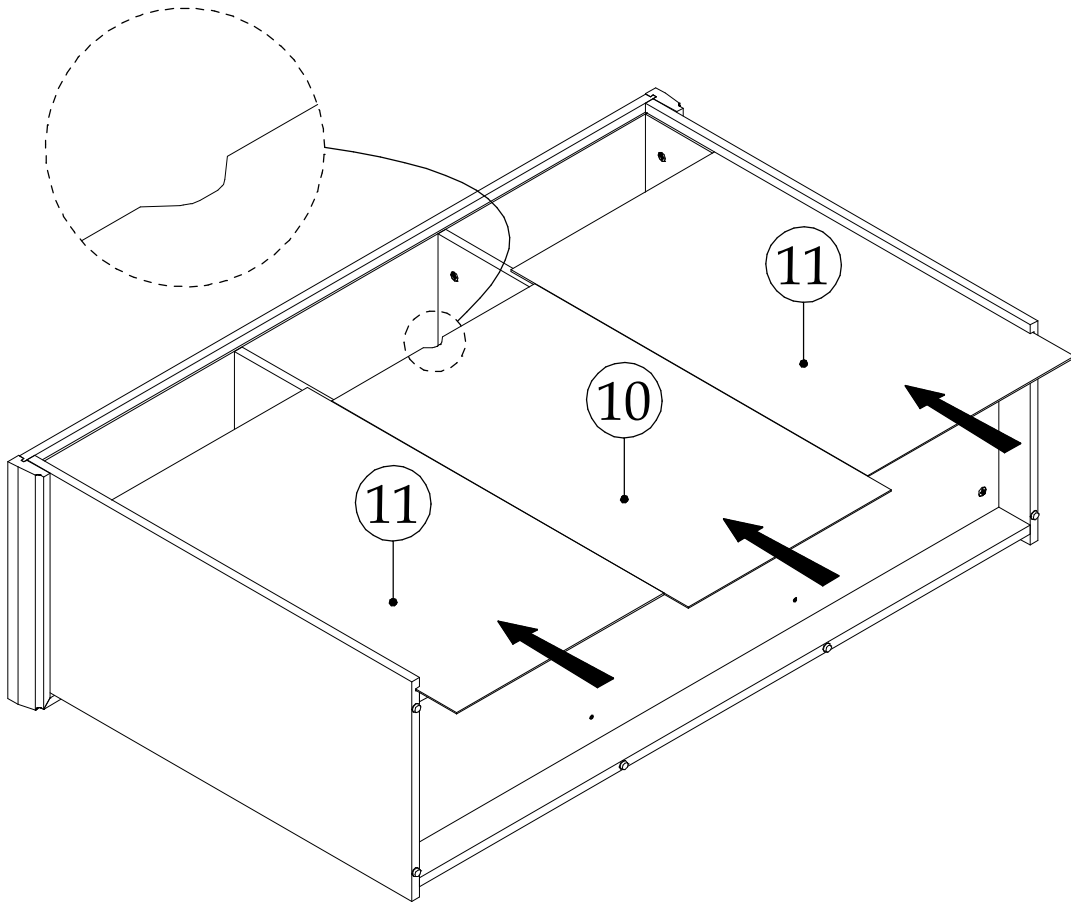
▶ 4



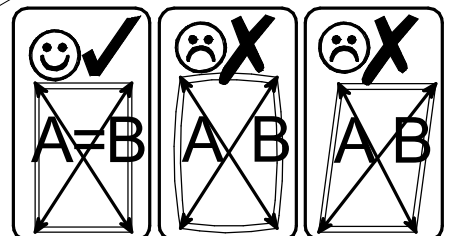
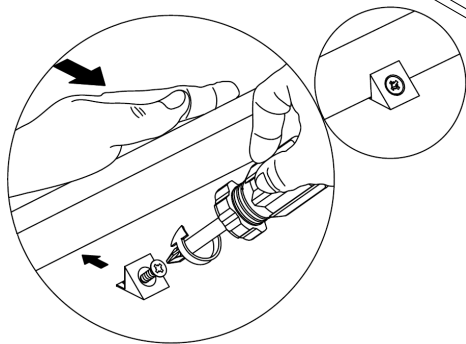
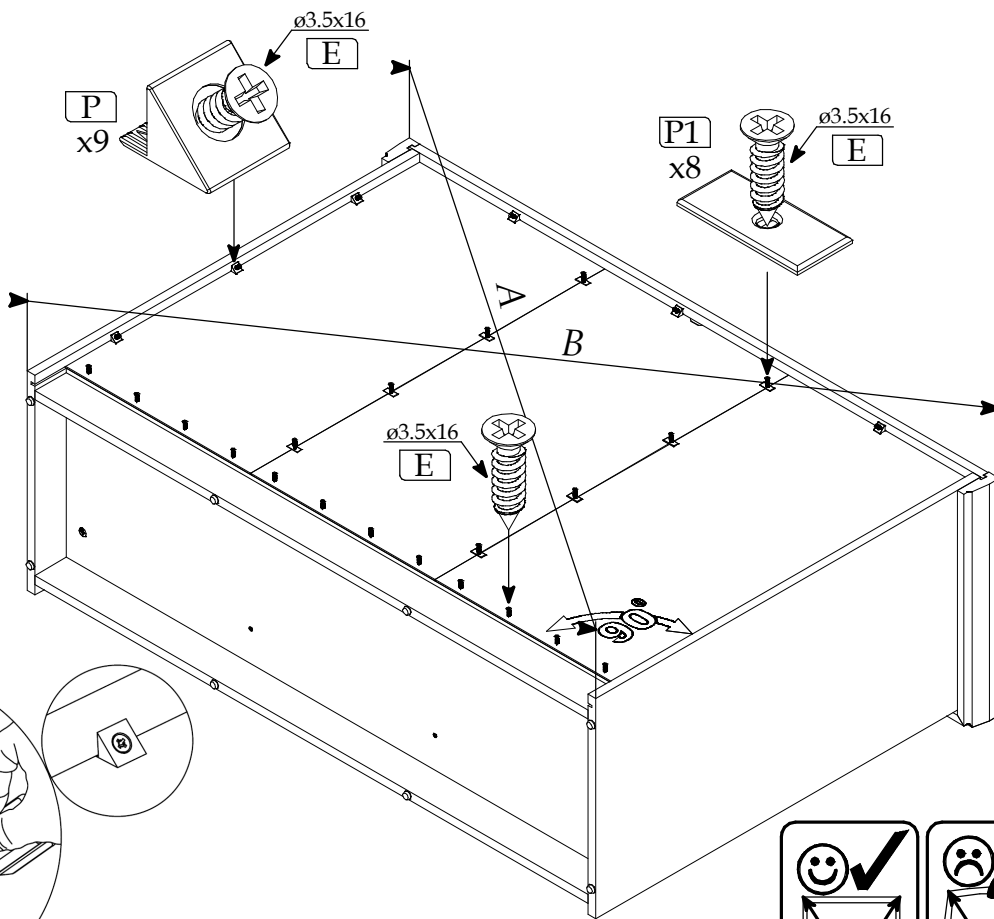
▶ 5



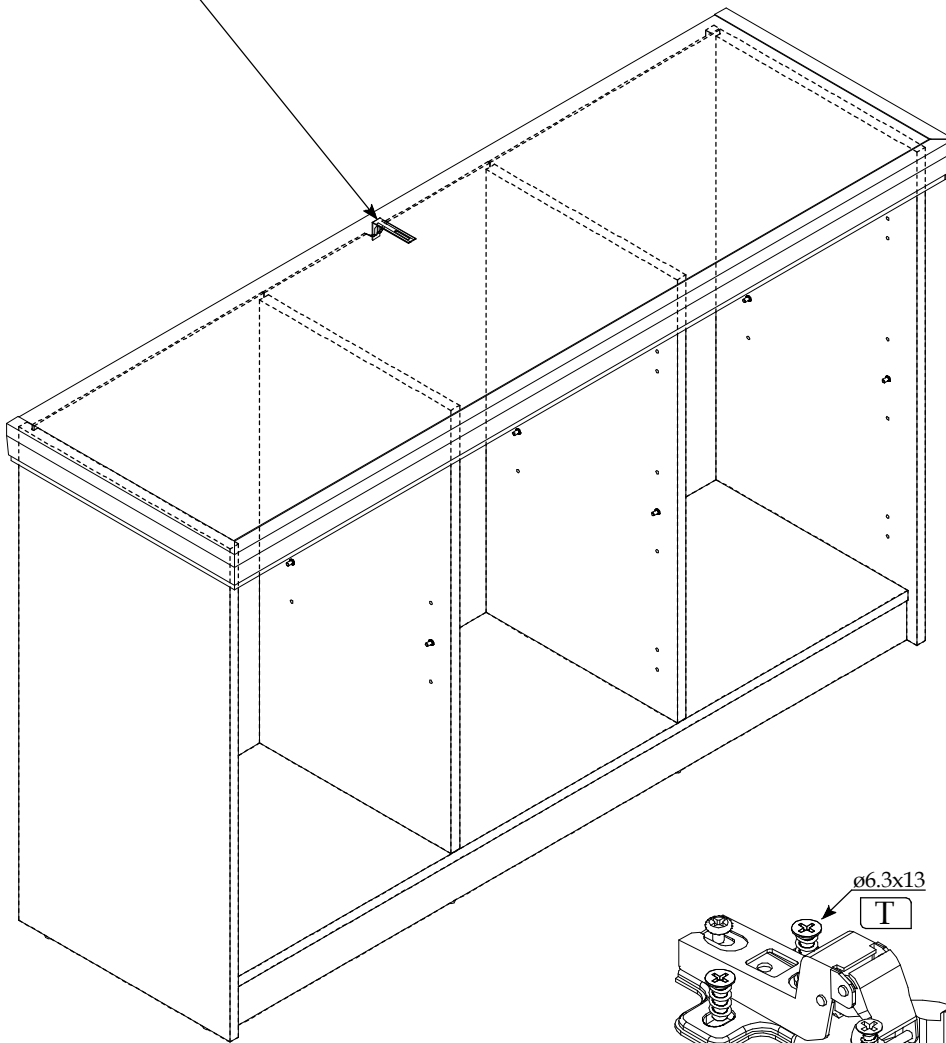
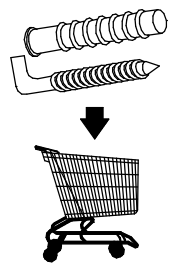
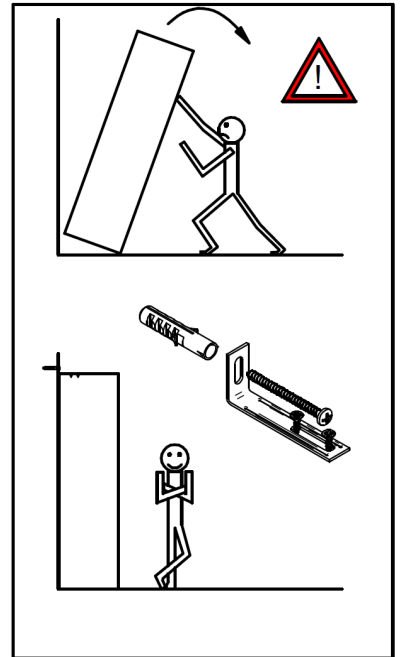
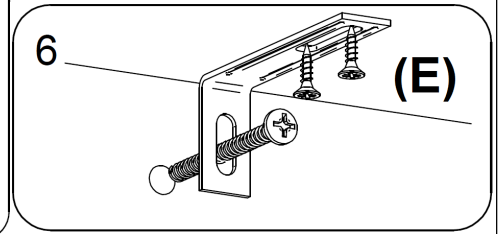
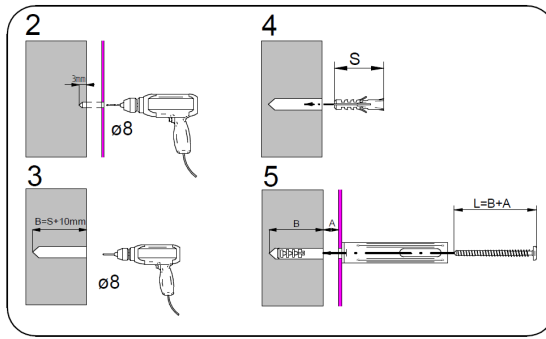
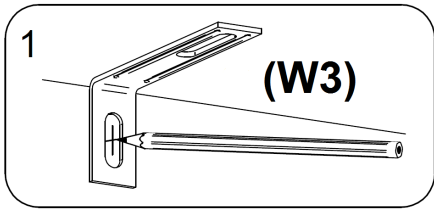
6



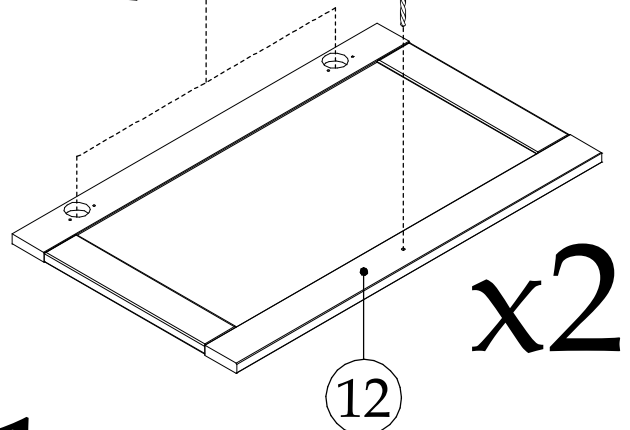
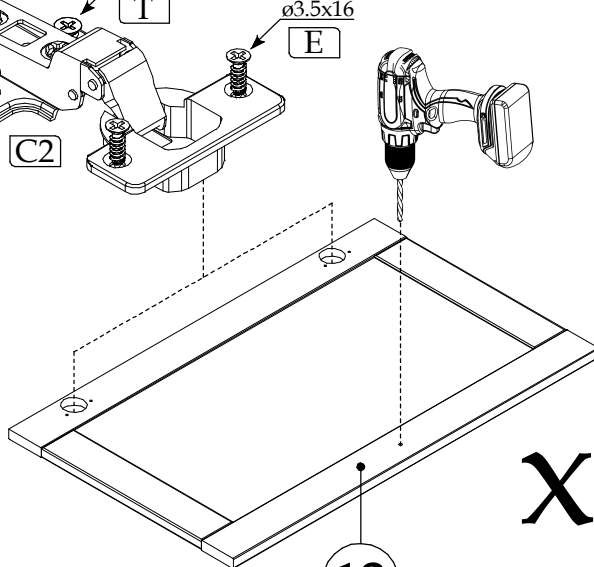
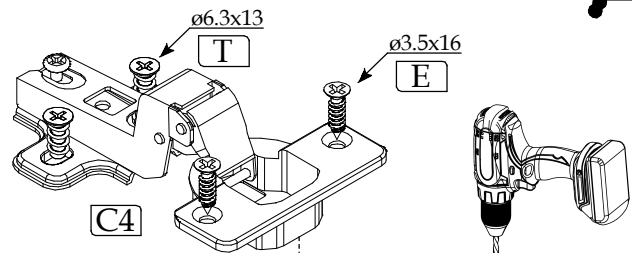
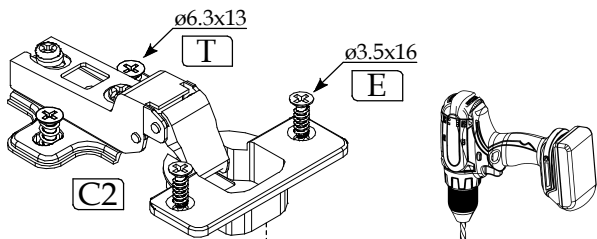
7



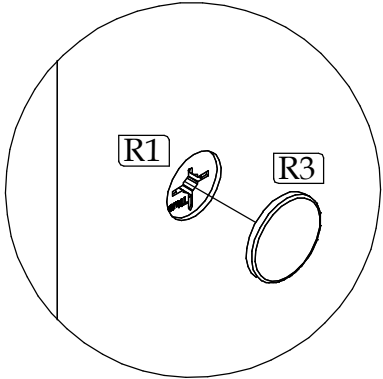
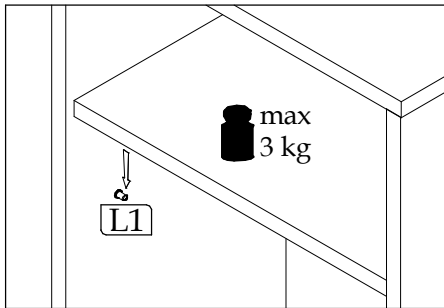
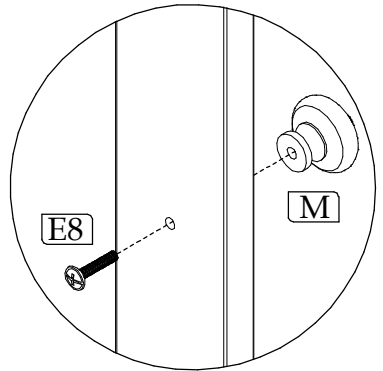
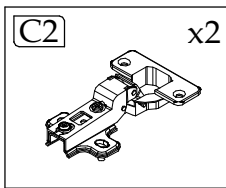
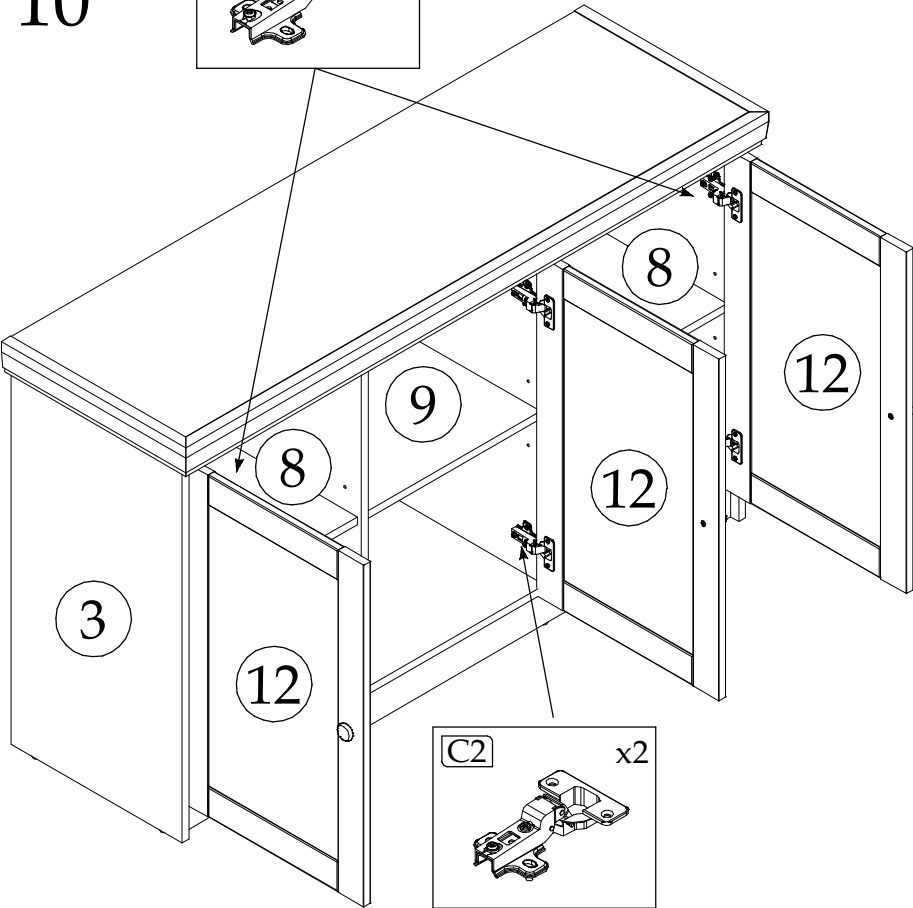
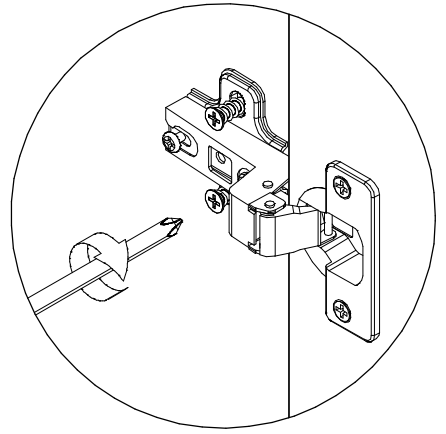
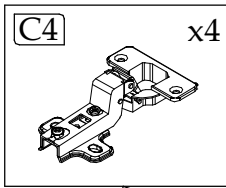
8



9



▶ 10



<p>+ 2 mm - 2 mm</p>	<p>+ 3 mm - 1 mm</p>	<p>+ 5 mm - 1,5 mm</p>

