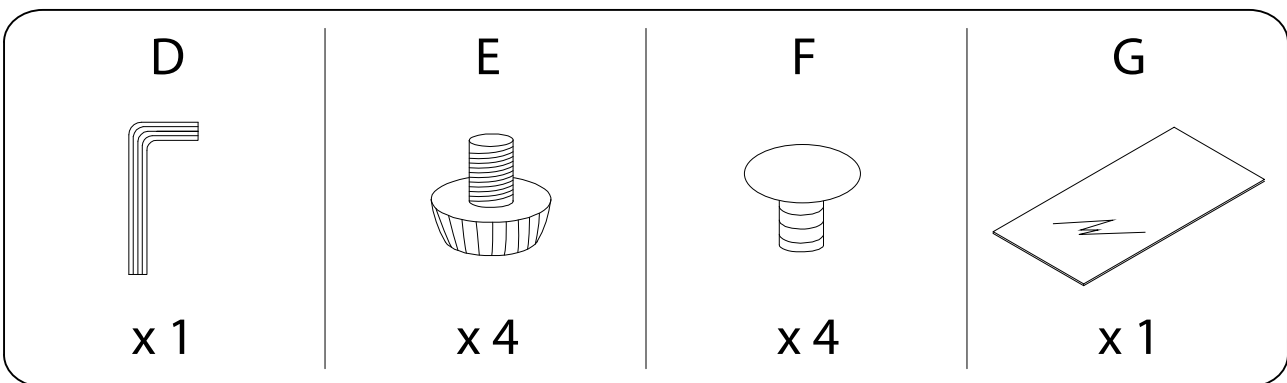
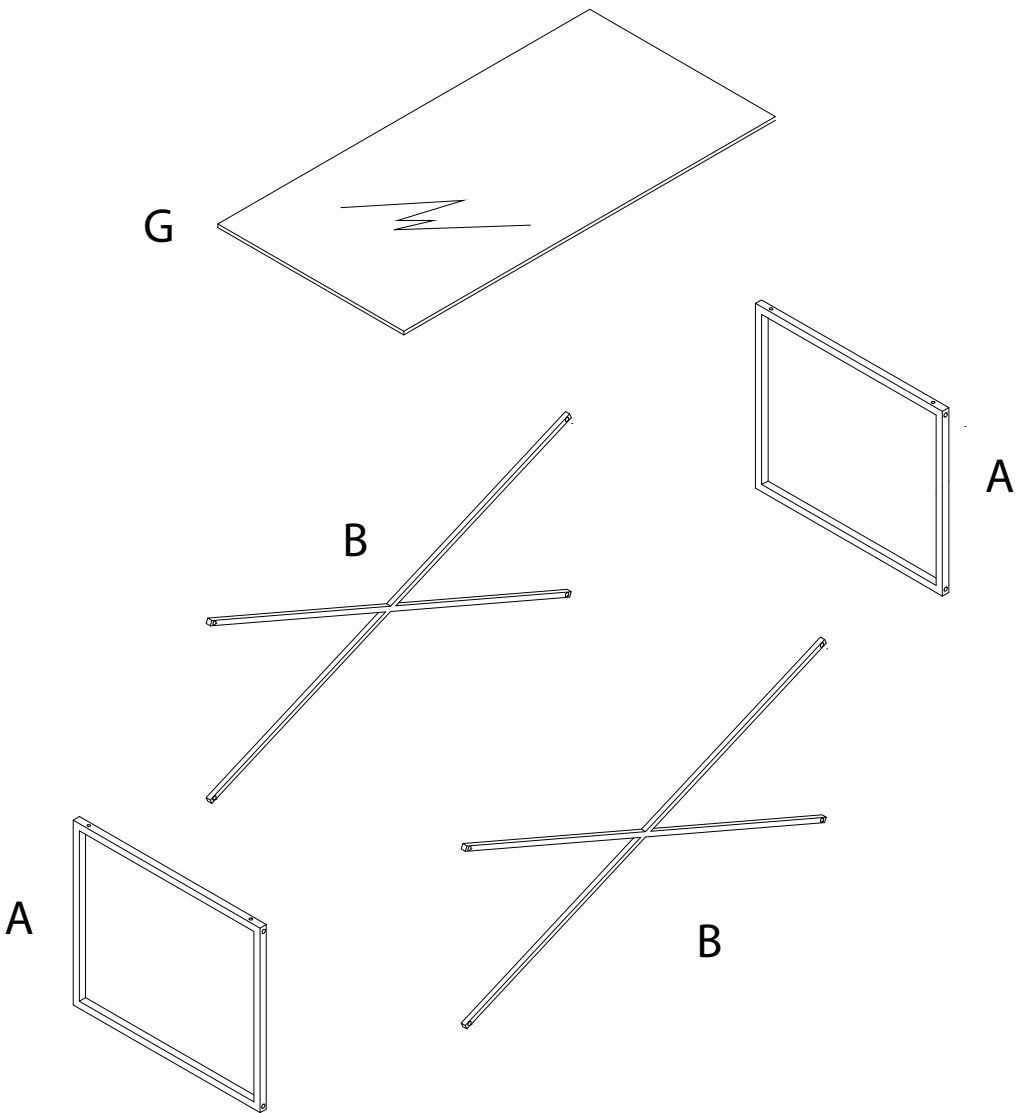
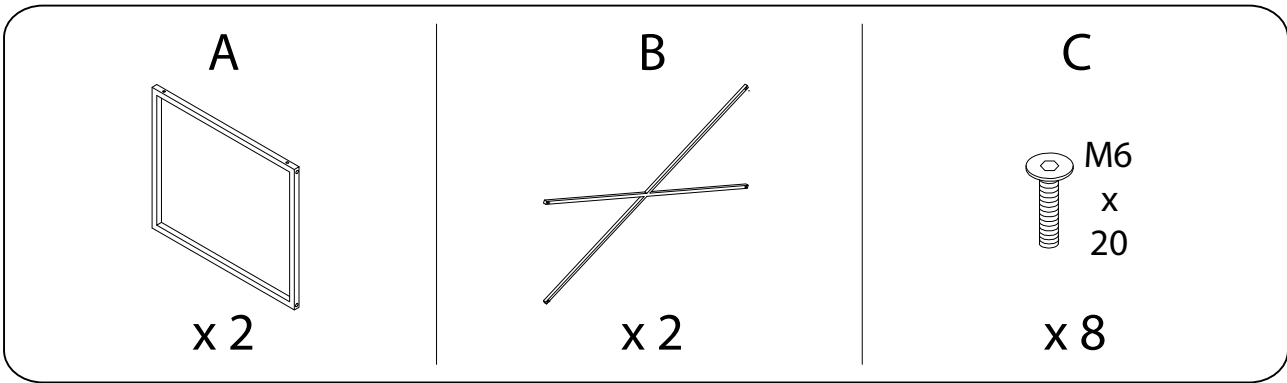
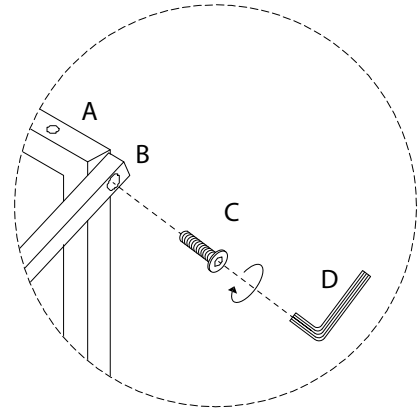
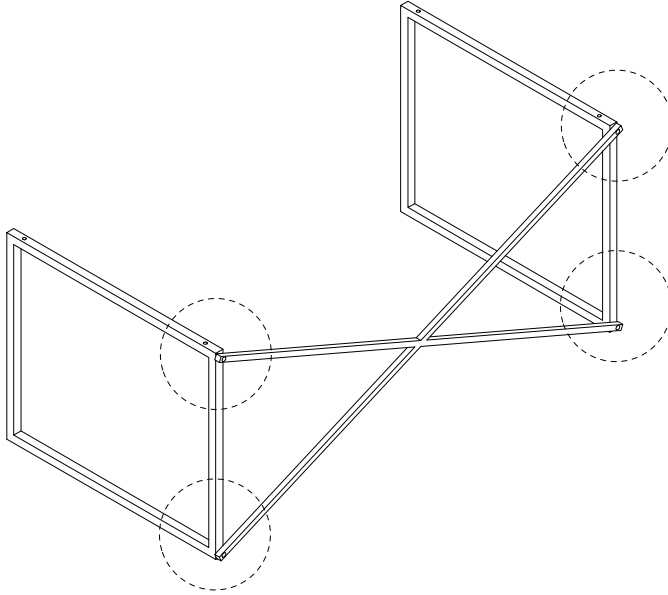
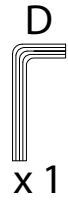
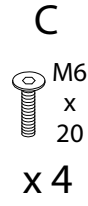
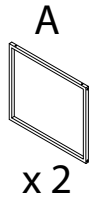


Diagram illustrating assembly steps and safety warnings:

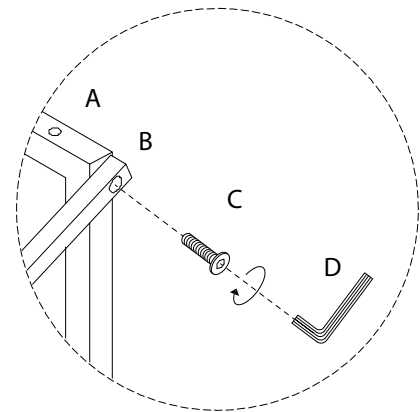
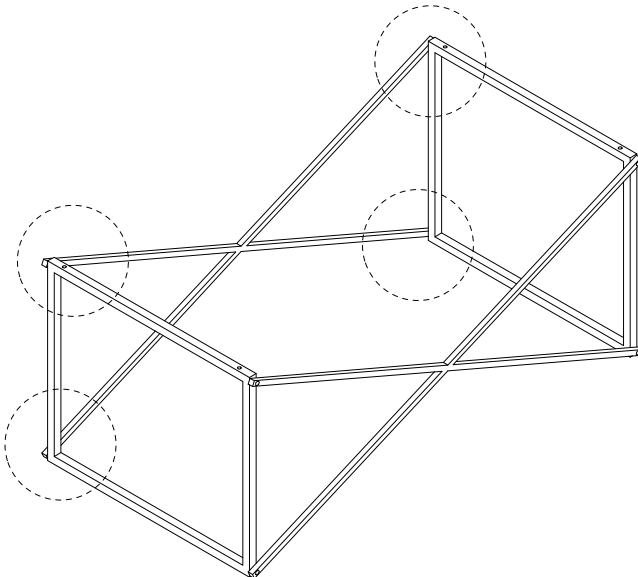
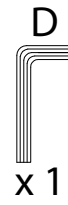
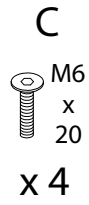
- Step 1:** Shows an L-shaped metal bracket being inserted into a hole in the table top. A power drill is shown with a diagonal line through it, indicating that a power drill should not be used for this step. A warning triangle with an exclamation mark is positioned to the right.
- Step 2:** Shows a rectangular block being placed on a surface. A power drill is shown with a diagonal line through it, indicating that a power drill should not be used for this step. A warning triangle with an exclamation mark is positioned to the right.
- Time:** A clock icon is shown with the text "30'" below it, indicating a 30-minute assembly time.
- Person:** A stick figure icon is shown with the text "1" below it, indicating that one person is required for assembly.



1

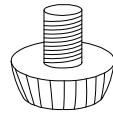


2

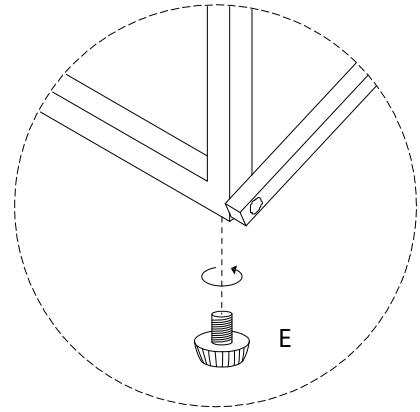
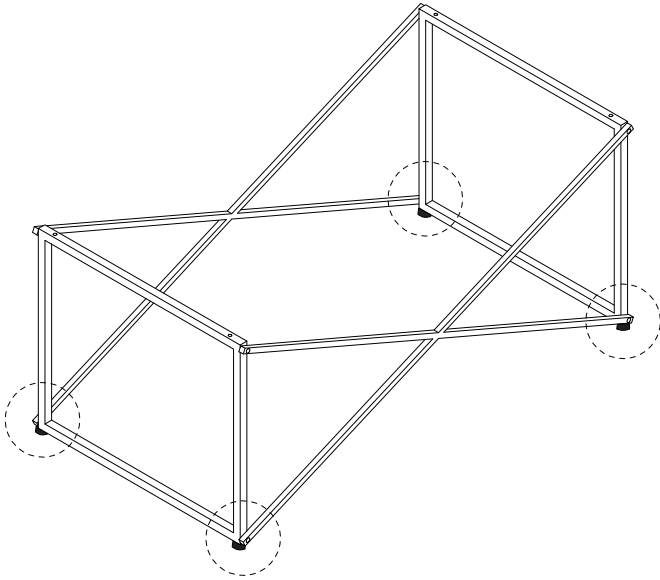


3

E



x 1

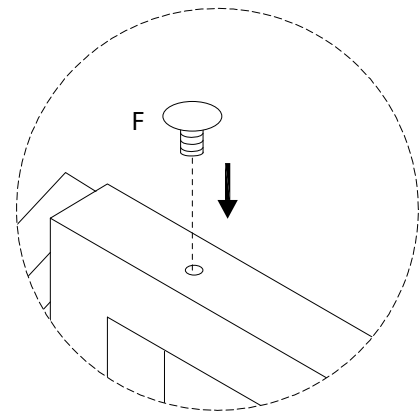
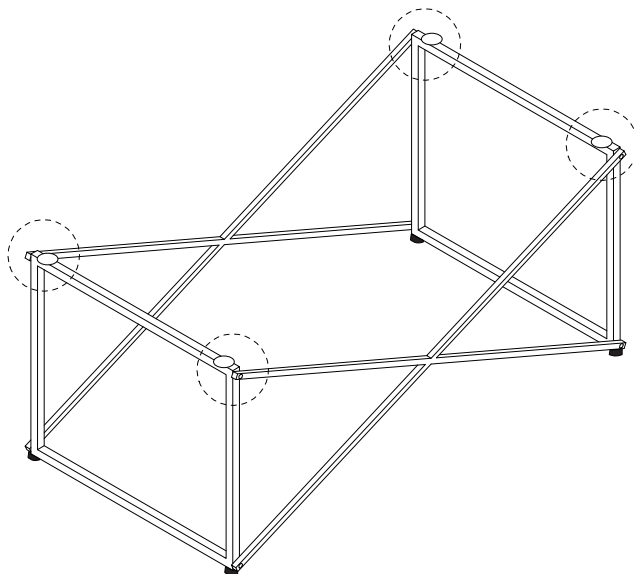


4

F



x 4



5

