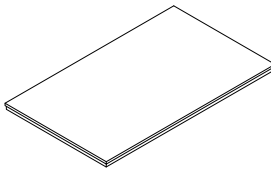
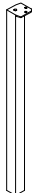
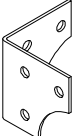
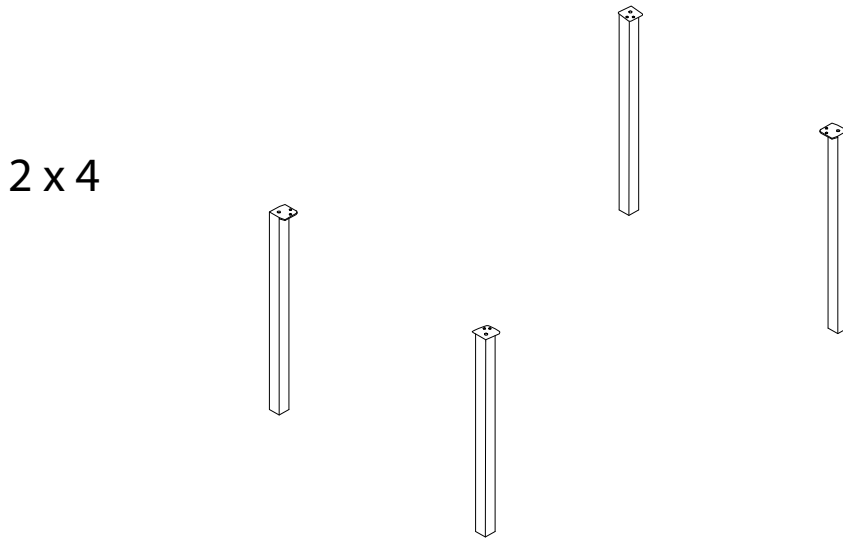
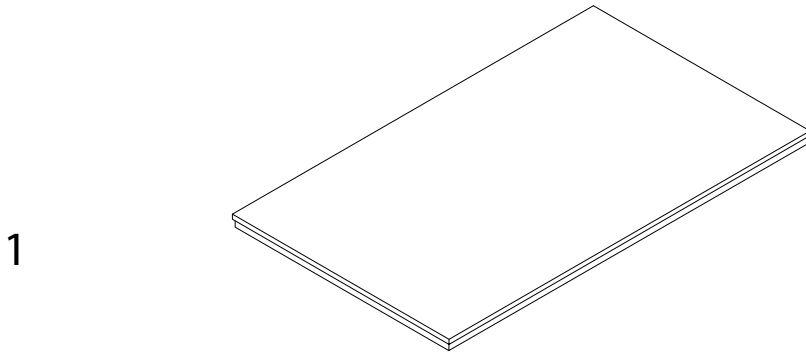
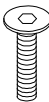
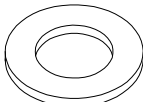
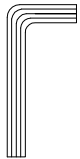


Diagram illustrating assembly steps and safety warnings:

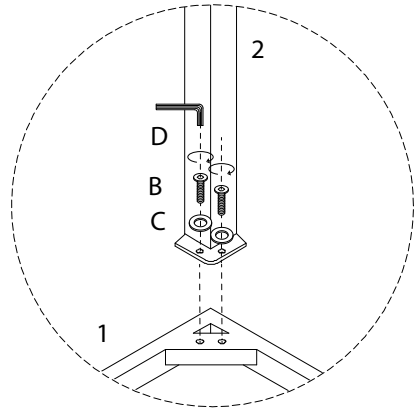
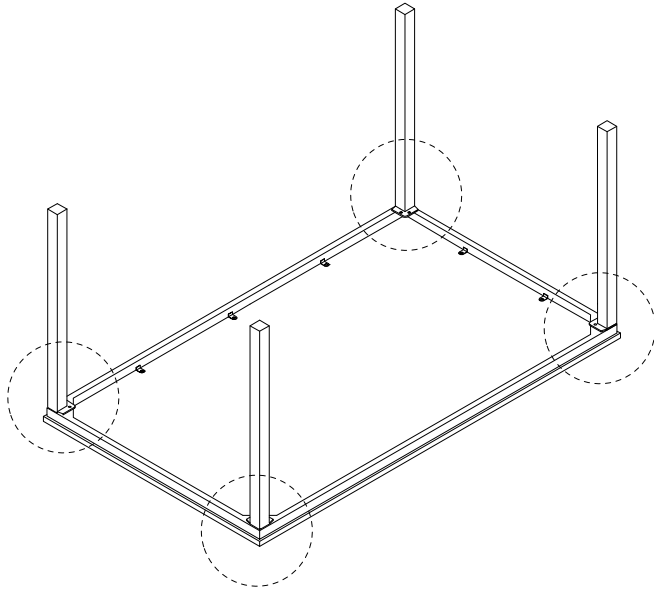
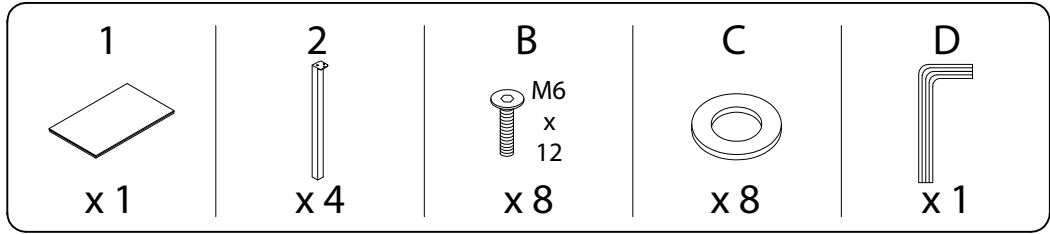
- Step 1:** Shows an L-shaped metal bracket being attached to the table leg. A power drill is shown with a diagonal line through it, indicating that a power drill should not be used for this step. A warning triangle with an exclamation mark is present.
- Step 2:** Shows a rectangular block being placed on a surface. A power drill is shown with a diagonal line through it, indicating that a power drill should not be used for this step. A warning triangle with an exclamation mark is present.
- Time:** A clock icon indicates a 20-minute assembly time.
- Personnel:** An icon of a person indicates that 2 people are required for assembly.

<p>1</p>  <p>x 1</p>	<p>2</p>  <p>x 4</p>	<p>A</p>  <p>x 4</p>
-------------------------------------------------------------------------------------------------------	-------------------------------------------------------------------------------------------------------	---------------------------------------------------------------------------------------------------------



<p>B</p>  <p>M6 x 12</p> <p>x 32</p>	<p>C</p>  <p>x 8</p>	<p>D</p>  <p>x 1</p>
---------------------------------------------------------------------------------------------------------------------------------	---------------------------------------------------------------------------------------------------------	-----------------------------------------------------------------------------------------------------------

1



2

