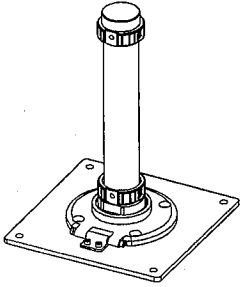
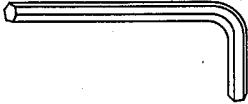
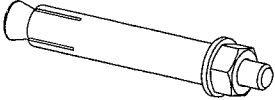

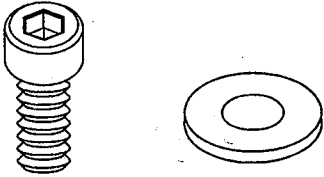
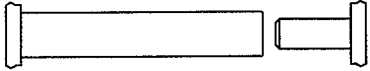
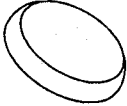
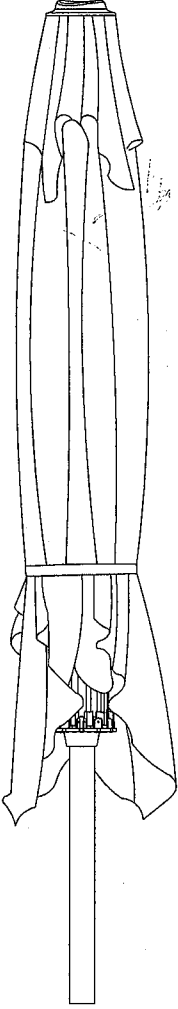
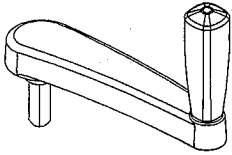
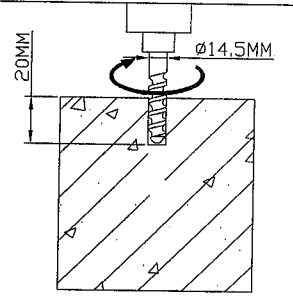
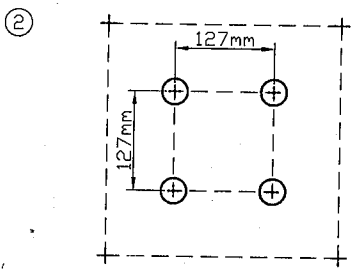
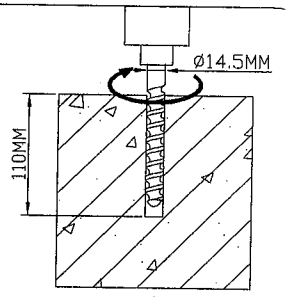
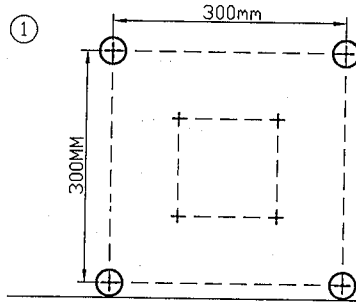
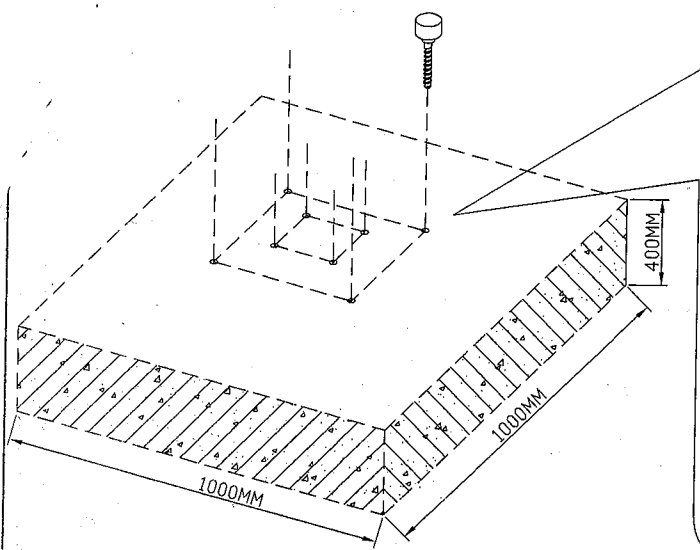
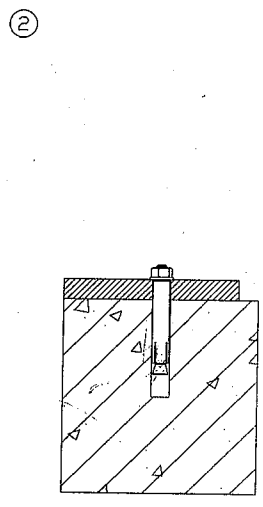
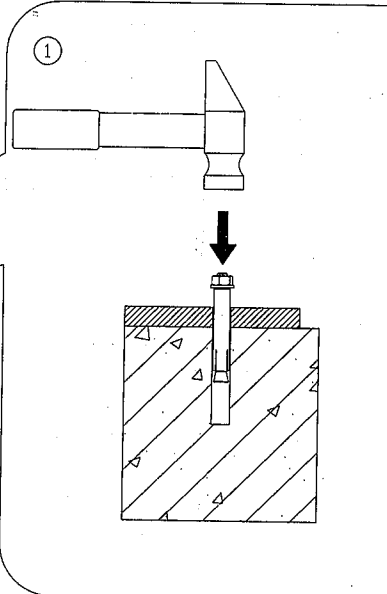
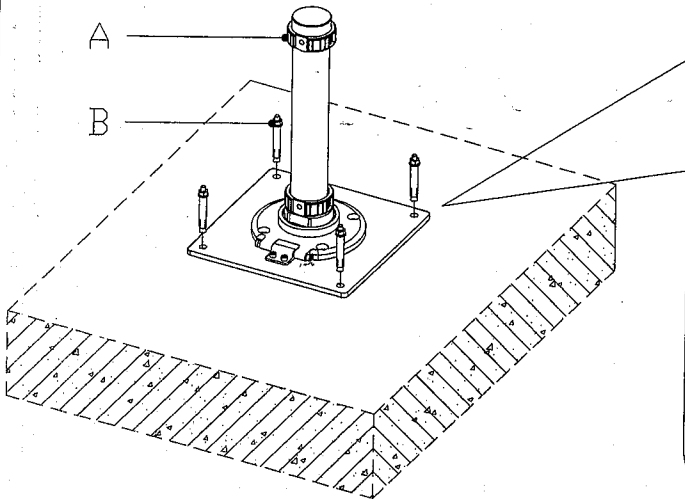




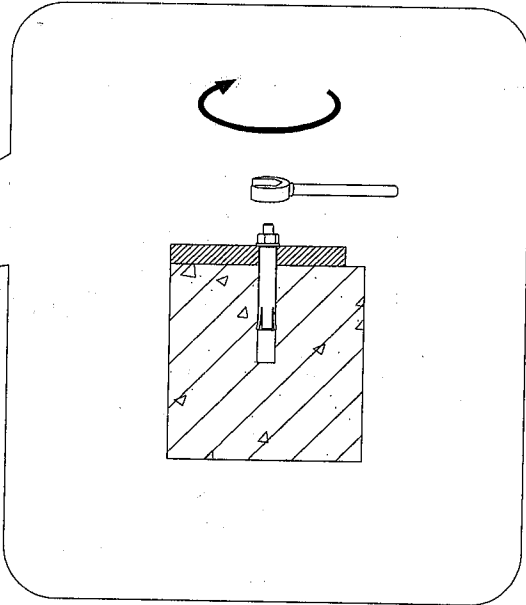
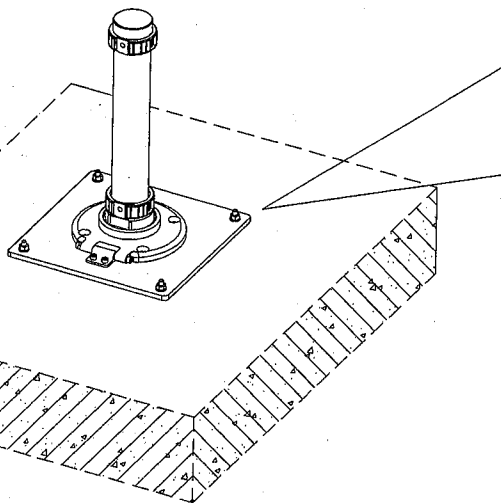
A		1	G	 (S=8)	1
B	 (M10*100)	4	H	 (S=4)	2
C	 (M10*20)	4			
D		2			
E		4	I		1
F		1			



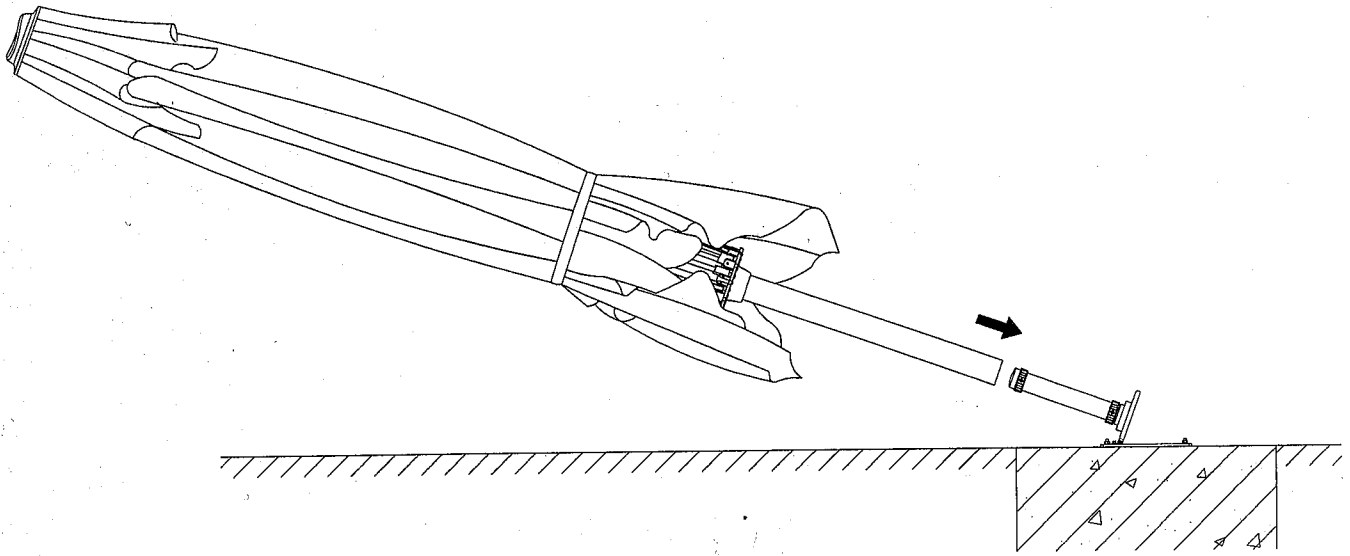
2



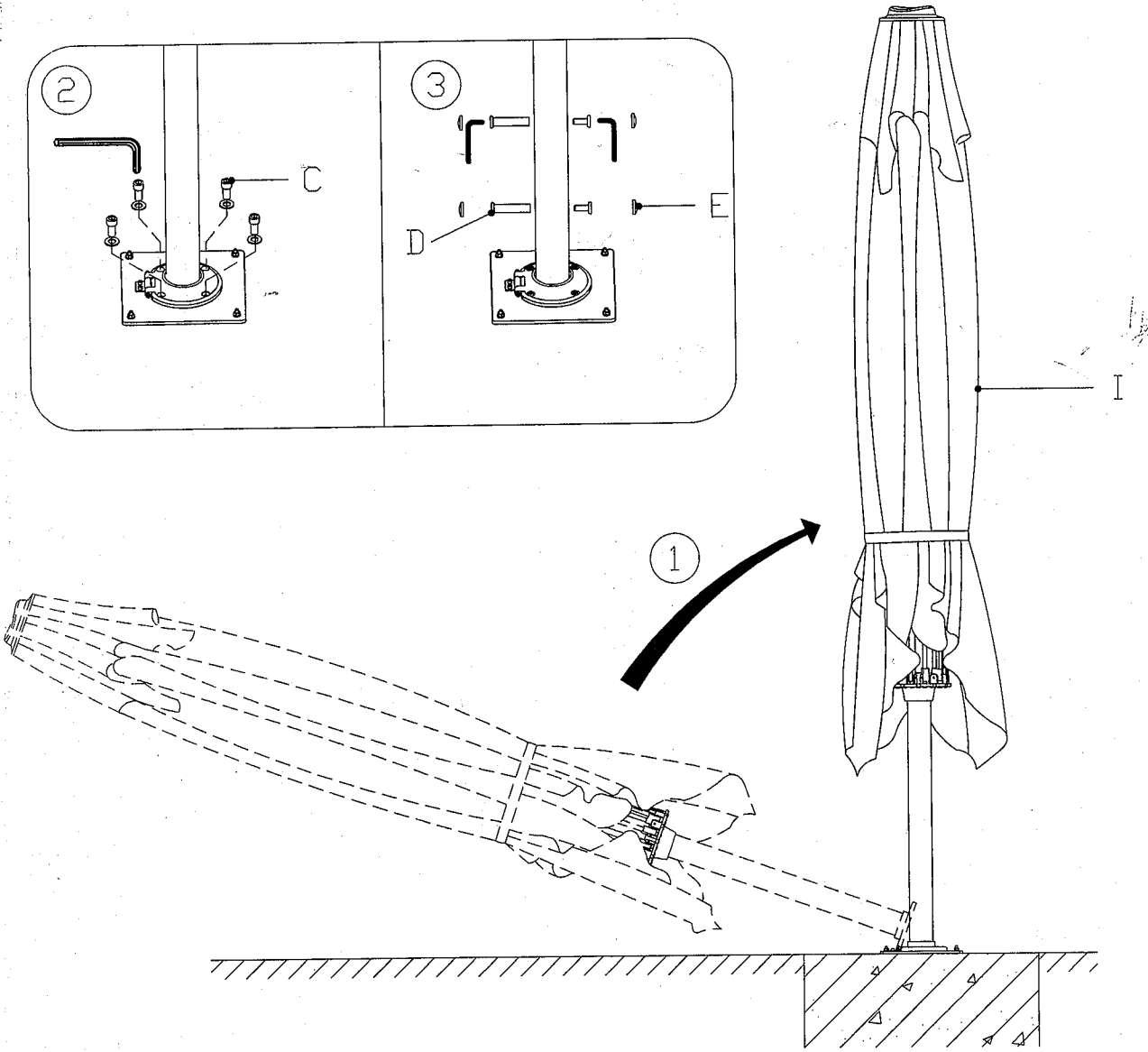
3



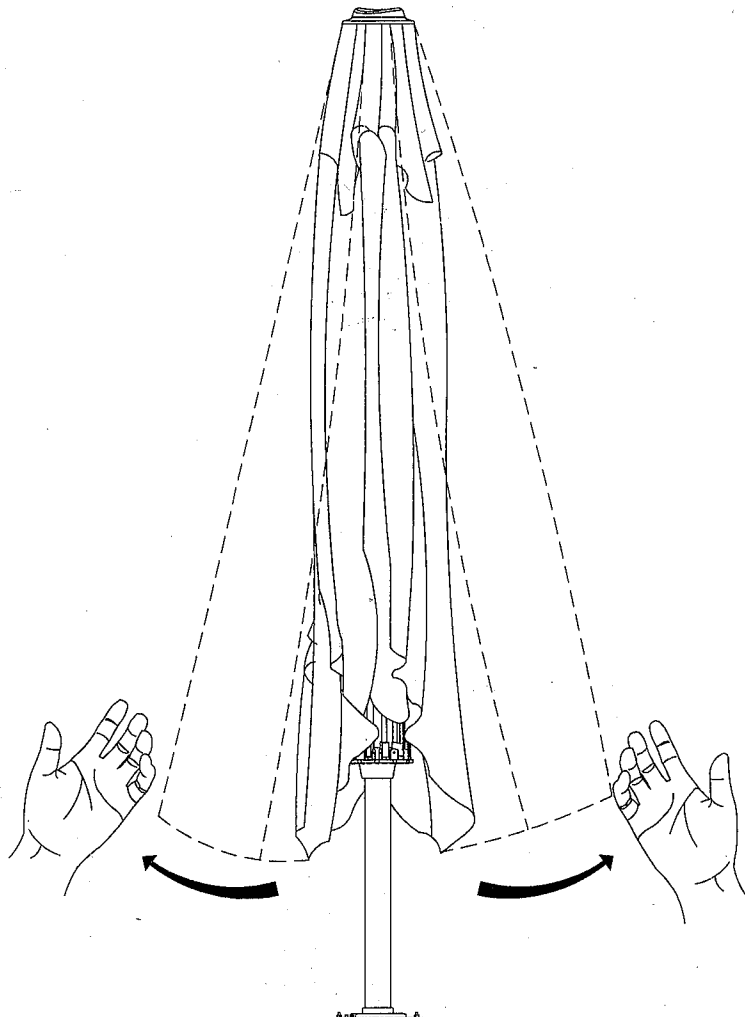
4



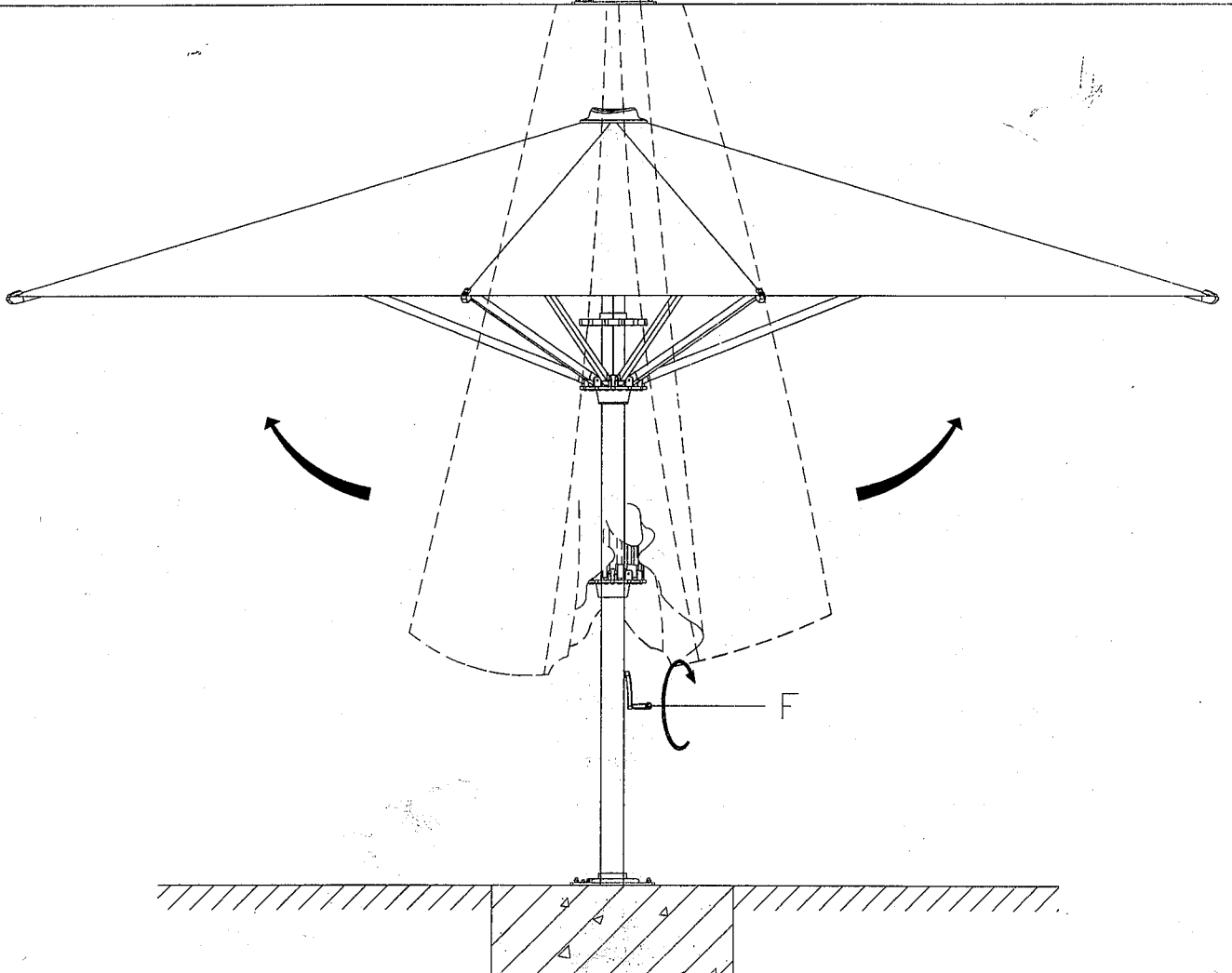
5



6



7



5M*5M UMBRELLA

70737

70738

