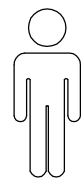
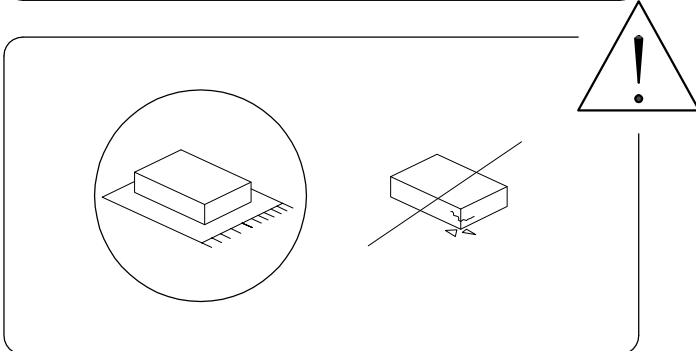

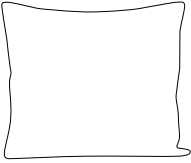

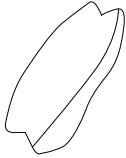


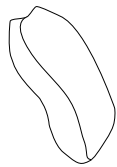
15'



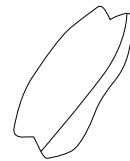
1

1/4

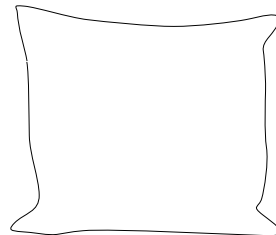
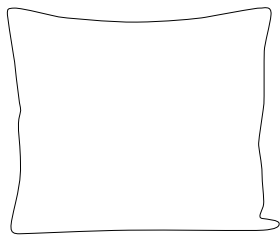
A	B	C	D
			
x 1	x 2	x 2	x 2



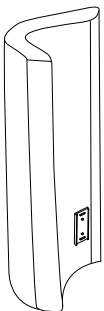
D x 2



B x 2



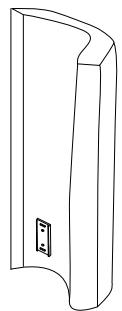
C



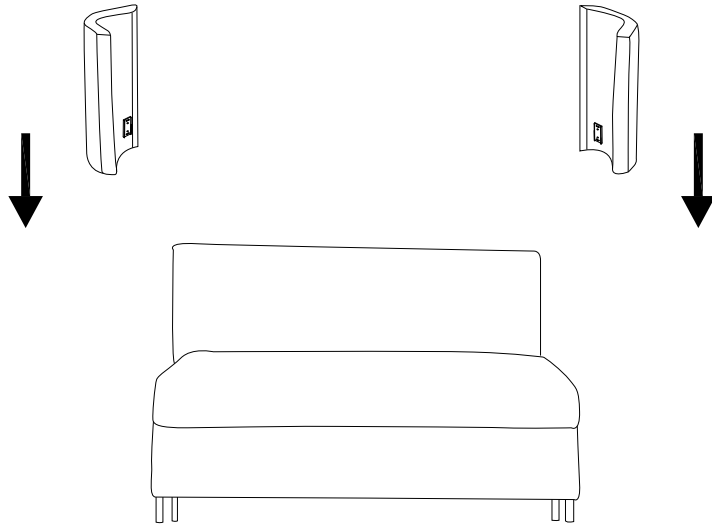
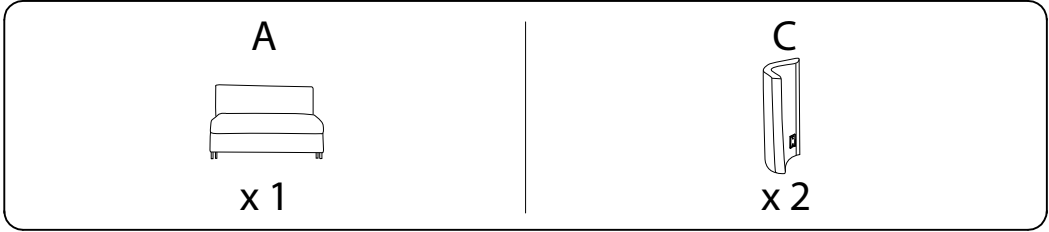
A



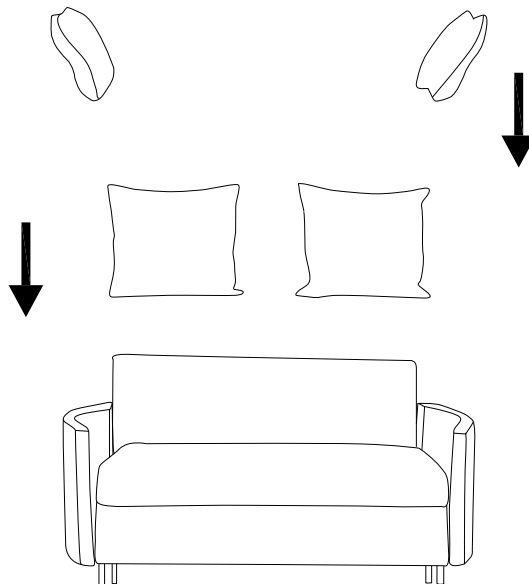
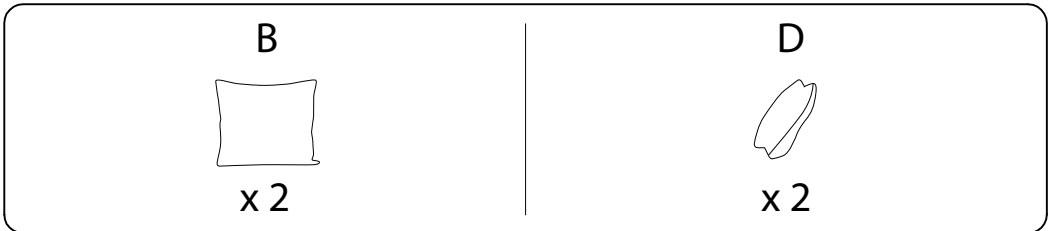
C



1



2



!

