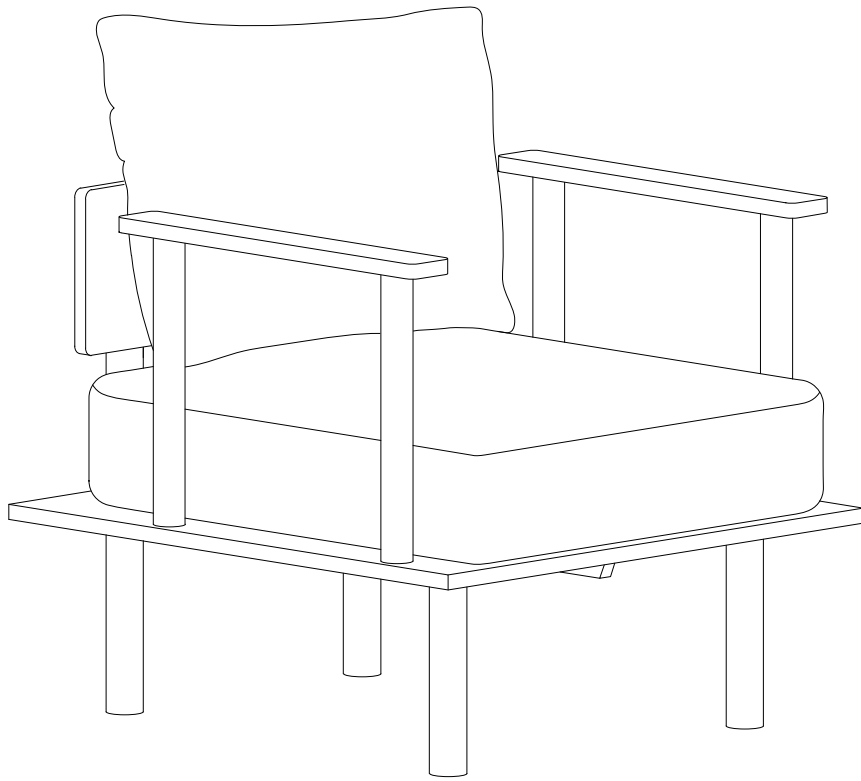
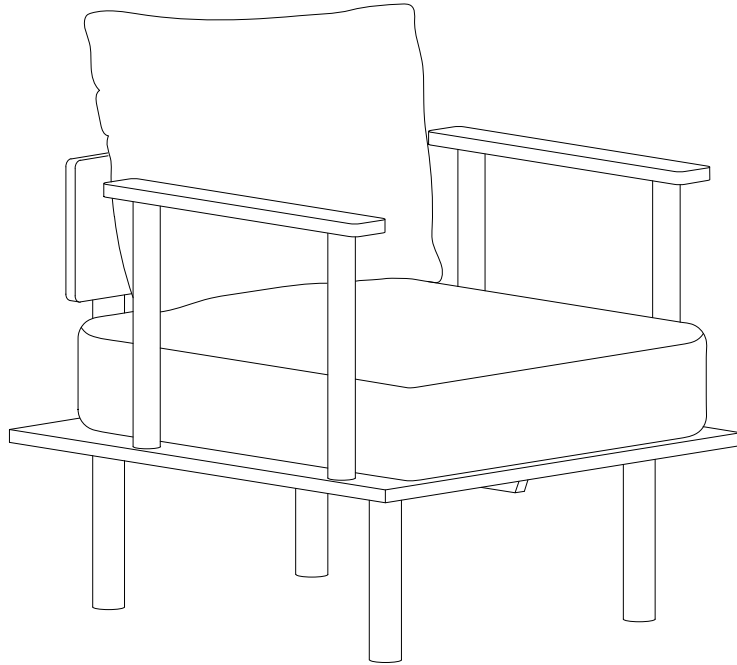
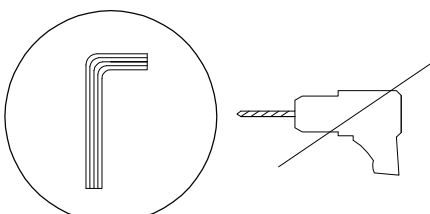

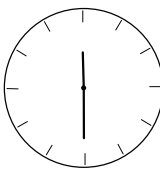
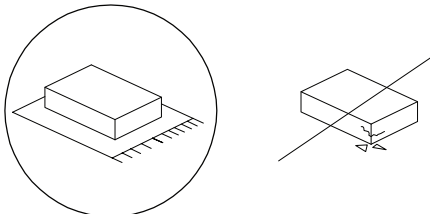


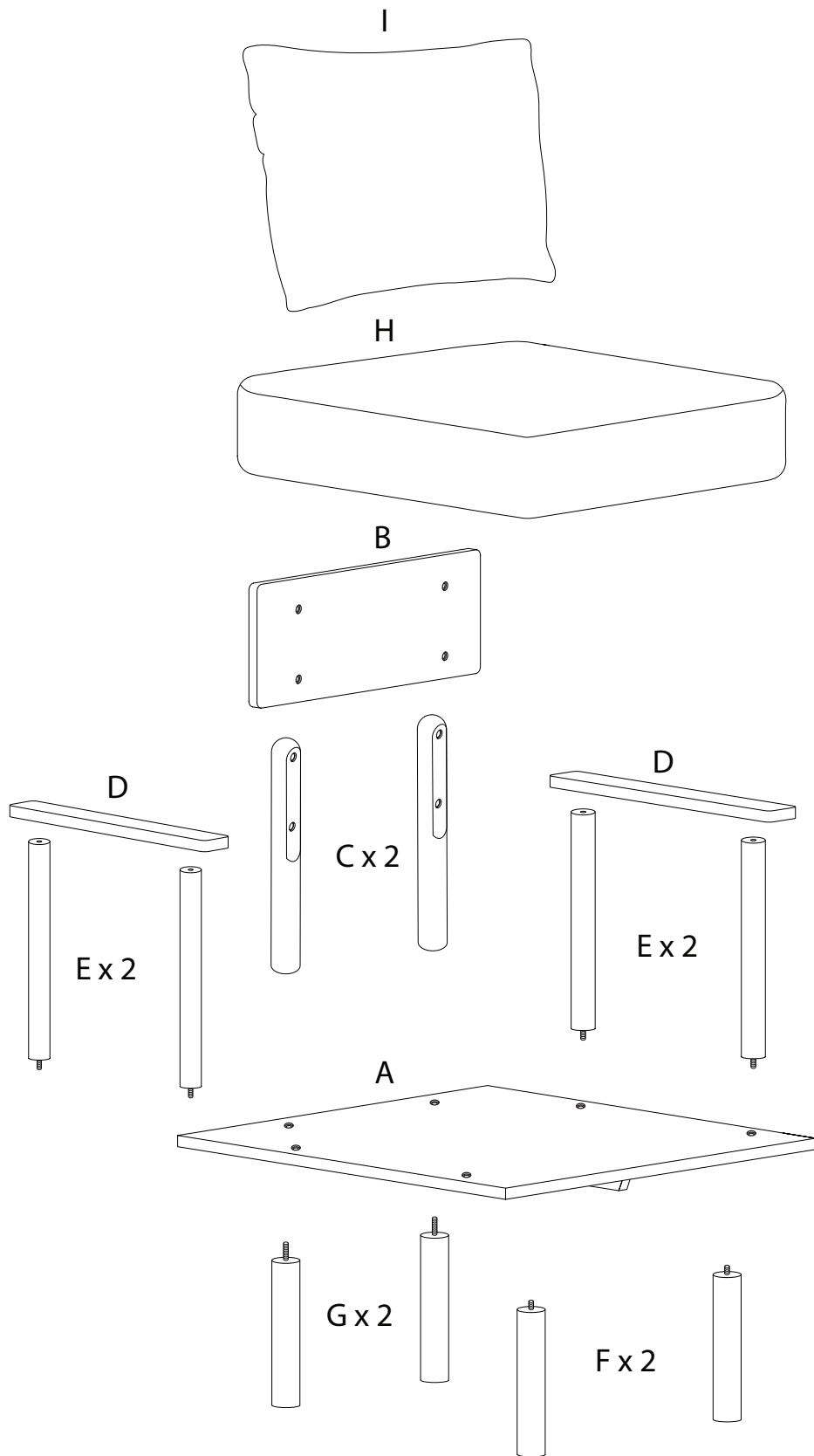


ASKER

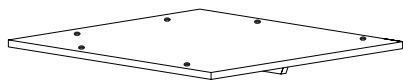




		
		15'
		
		1

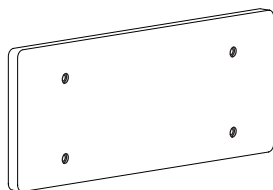


A



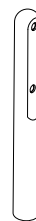
x 1

B



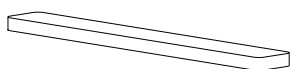
x 1

C



x 2

D



x 2

E



x 2

F



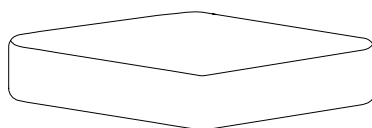
x 2

G



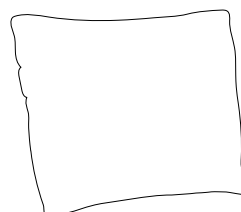
x 2

H



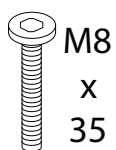
x 1

I



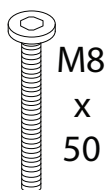
x 1

J



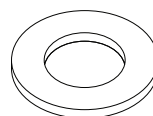
x 4

K



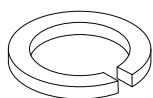
x 4

L



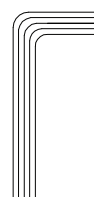
x 4

M



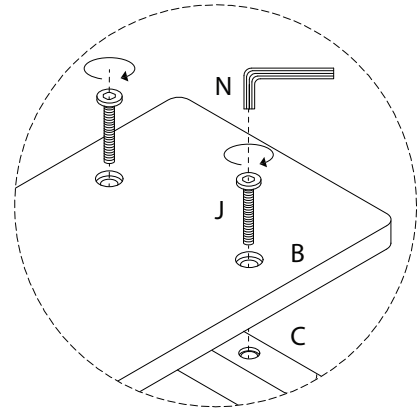
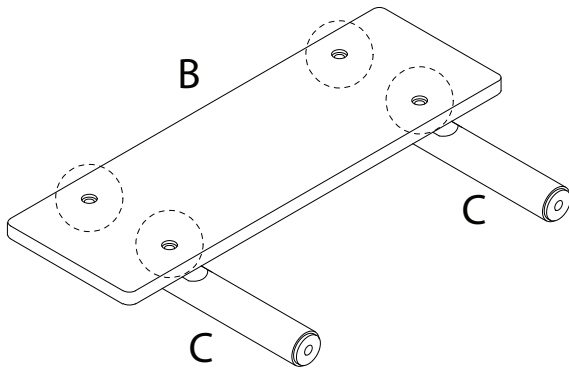
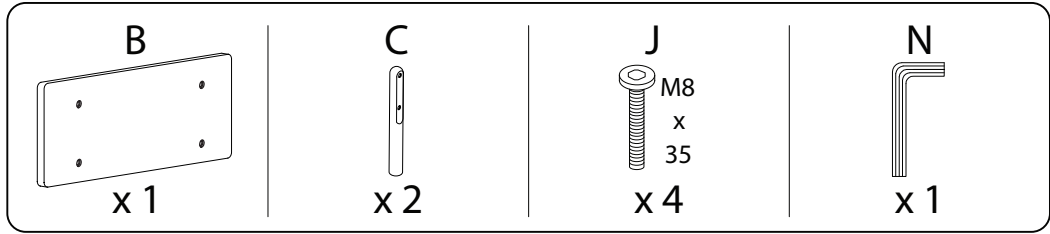
x 4

N

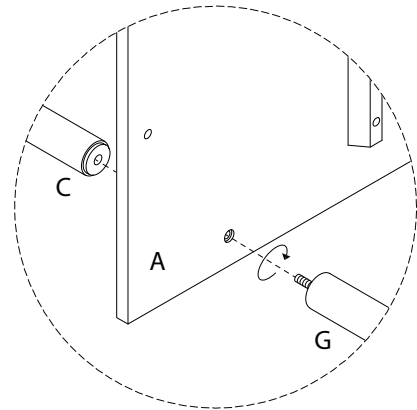
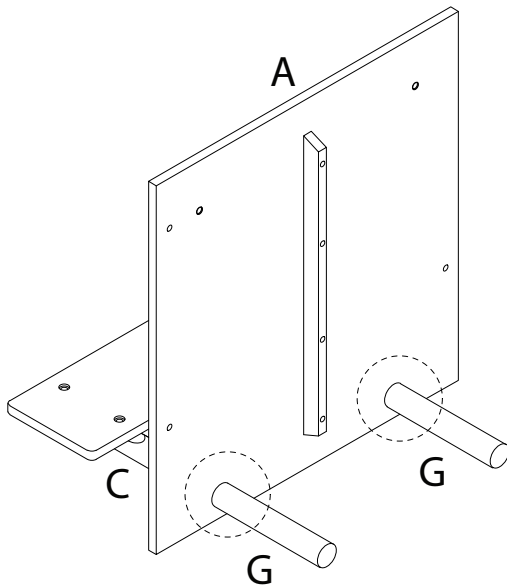
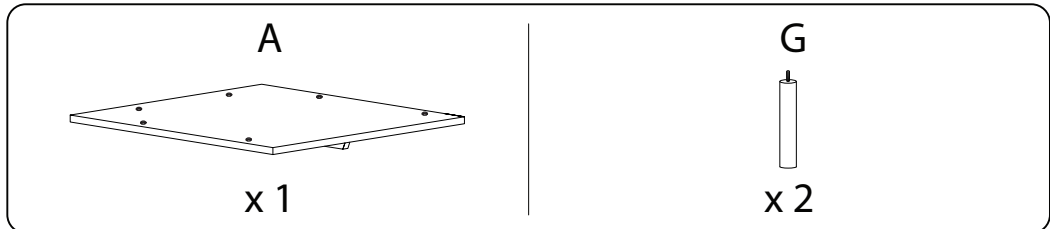


x 1

1

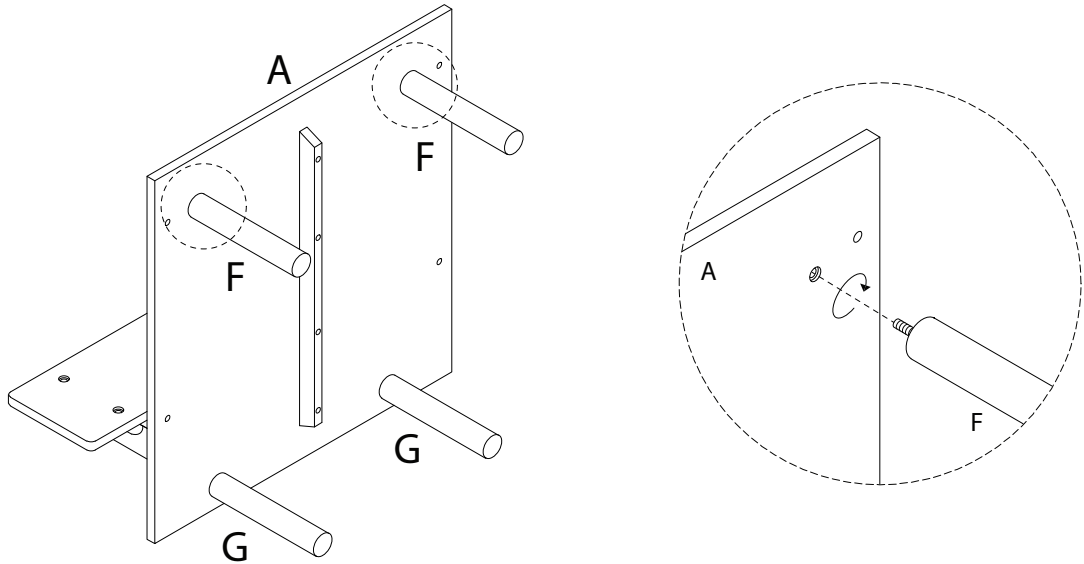


2



3

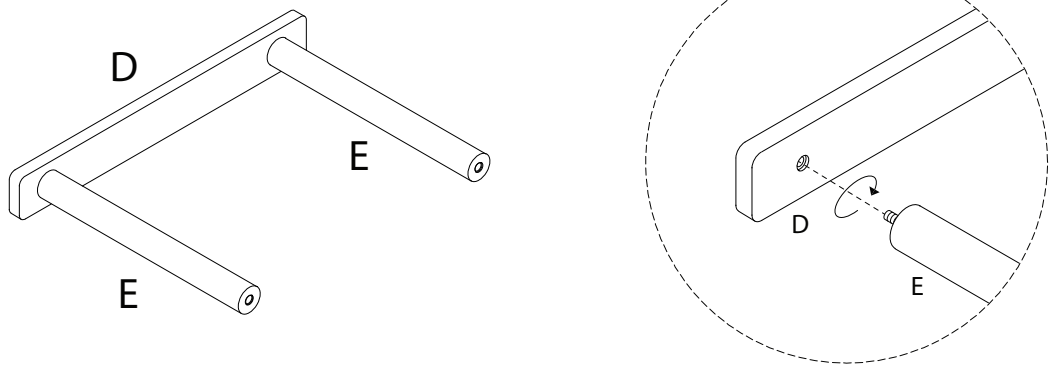
F
x2



4 x 2

D
x1

E
x2



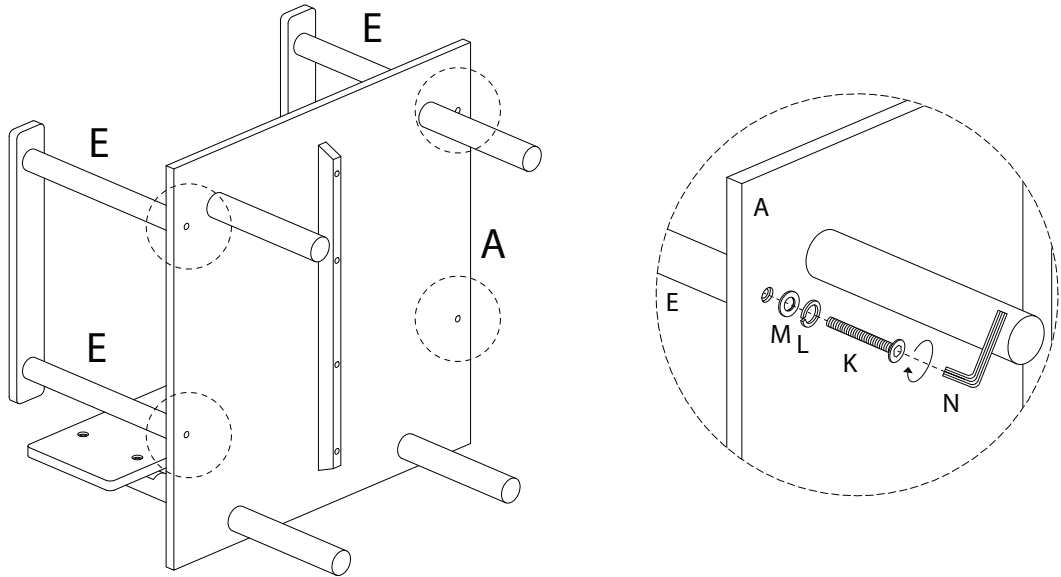
5

K
M8
x
50
x 4

L
x 4

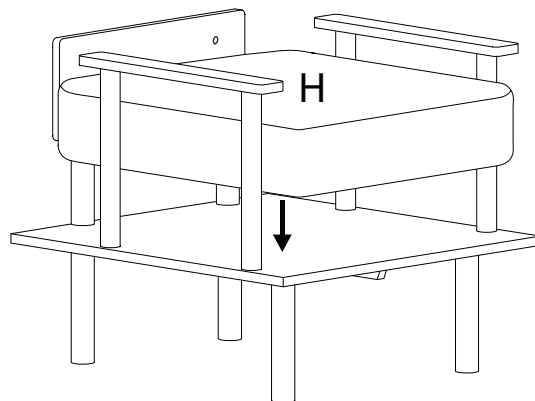
M
x 4

N
x 1

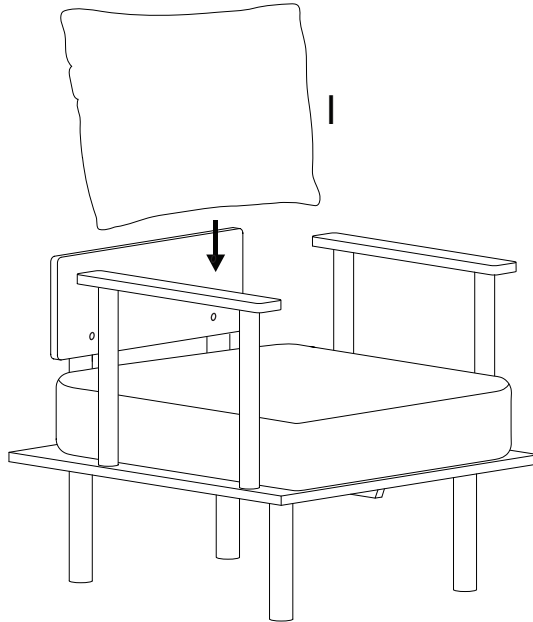
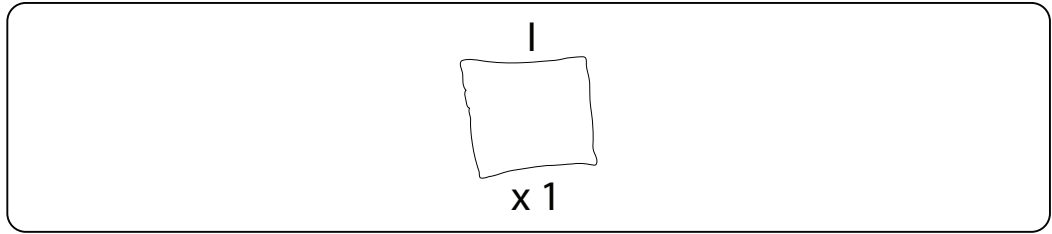


6

H
x 1



7



!

