
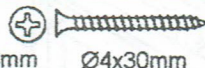

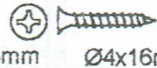
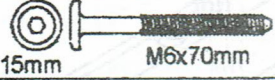
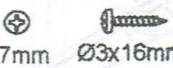
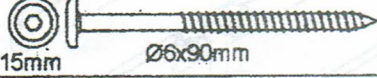

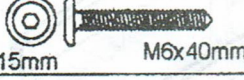

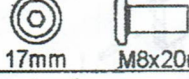

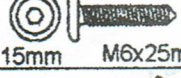


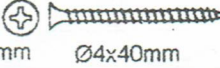
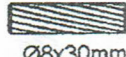
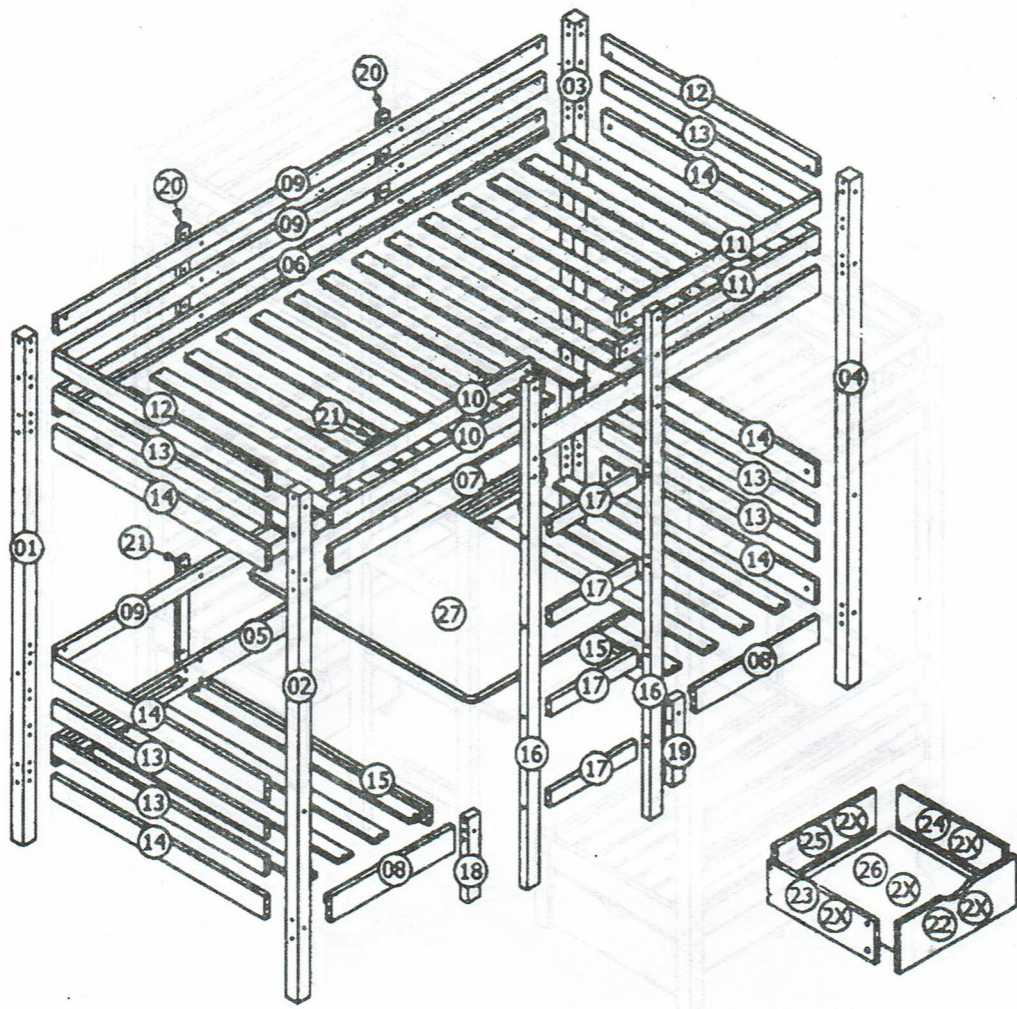
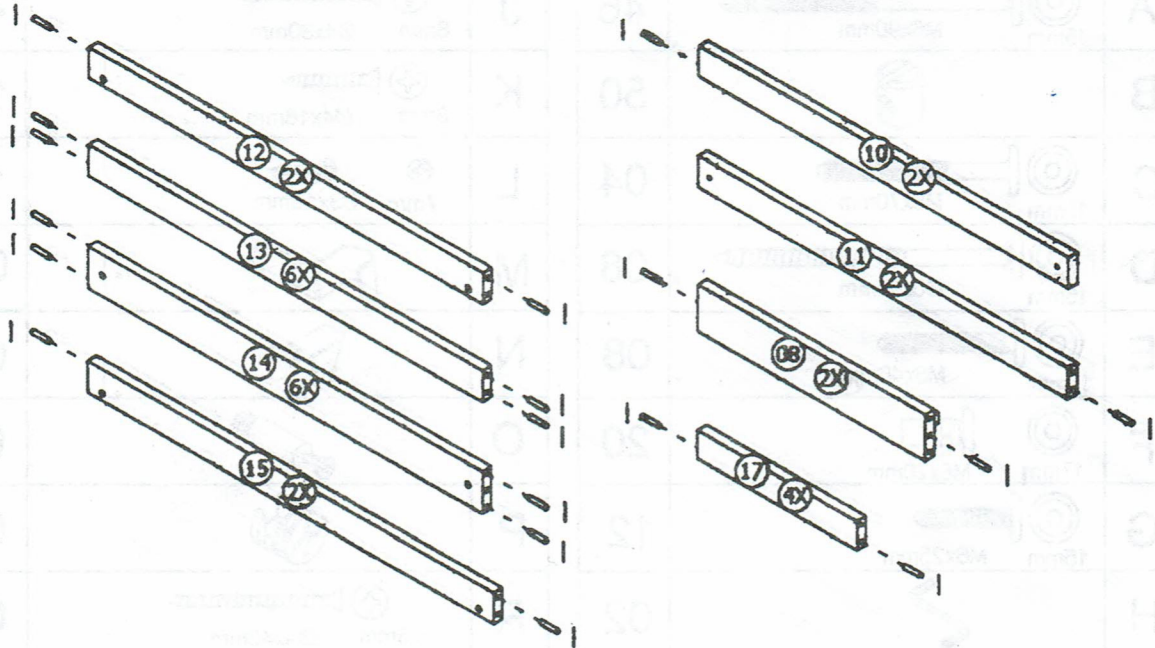


## HARDWARE

A	 15mm M6x90mm	46	J	 8mm Ø4x30mm	46
B		50	K	 8mm Ø4x16mm	16
C	 15mm M6x70mm	04	L	 7mm Ø3x16mm	16
D	 15mm Ø6x90mm	08	M		04
E	 15mm M6x40mm	08	N		08
F	 17mm M8x20mm	20	O		08
G	 15mm M6x25mm	12	P		08
H		02	R	 8mm Ø4x40mm	08
I	 Ø8x30mm	84			



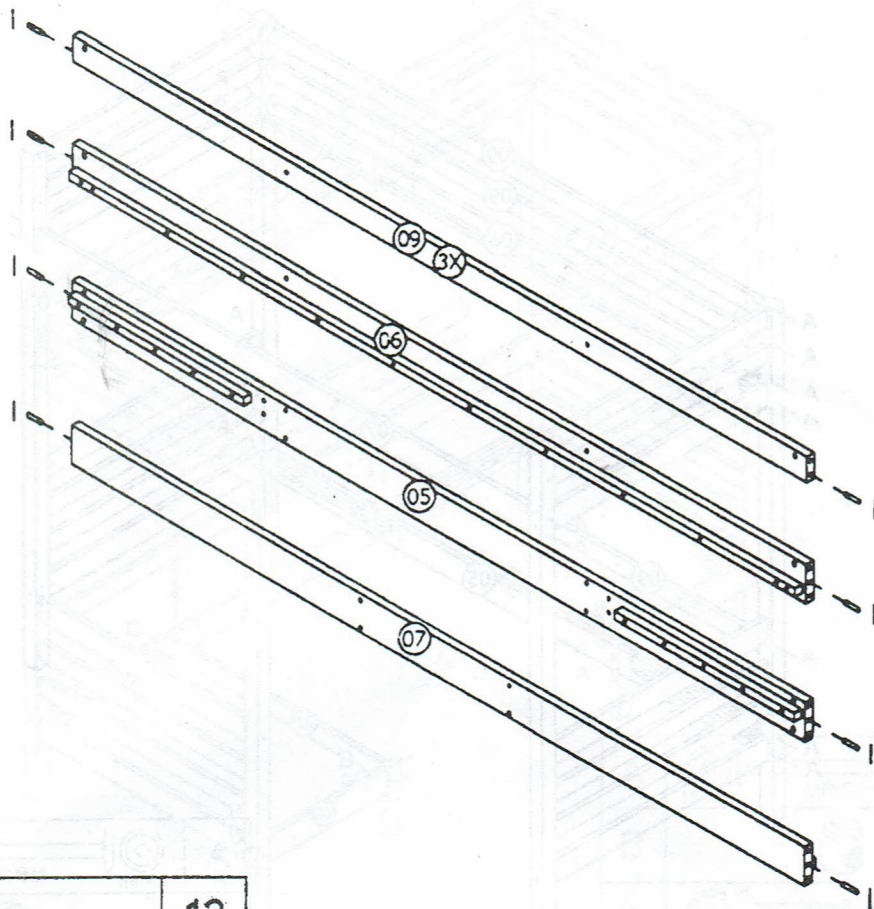
# 01



Ø8x30mm

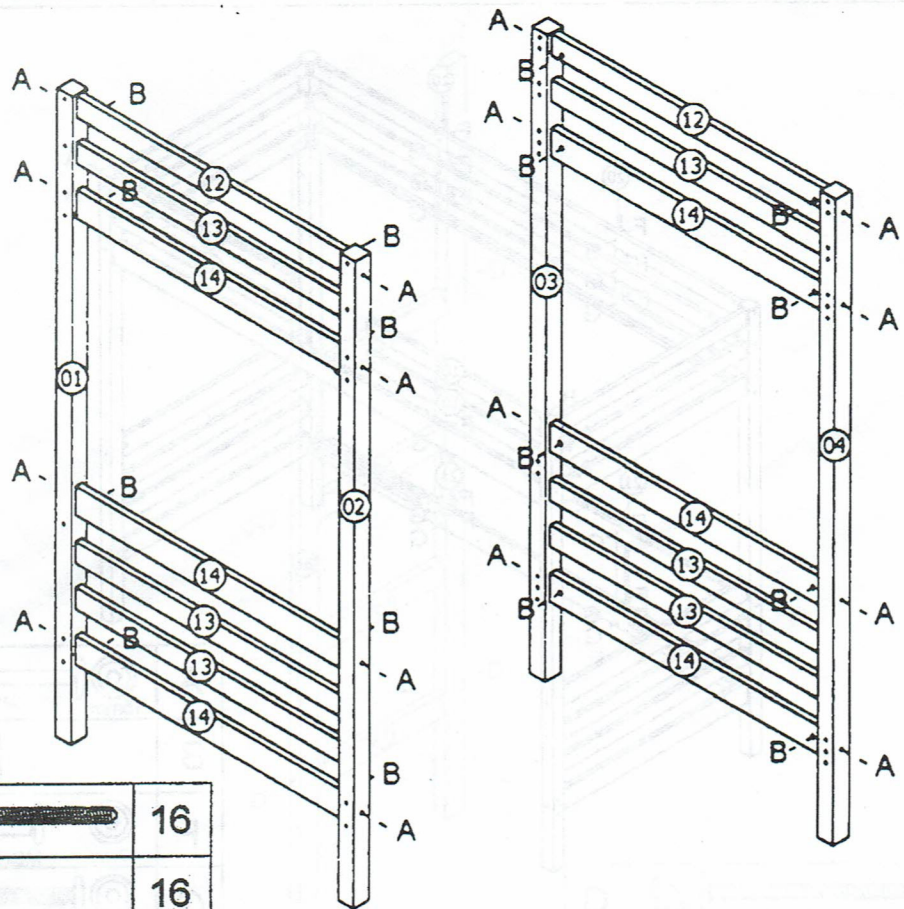
72

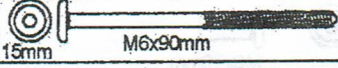

02



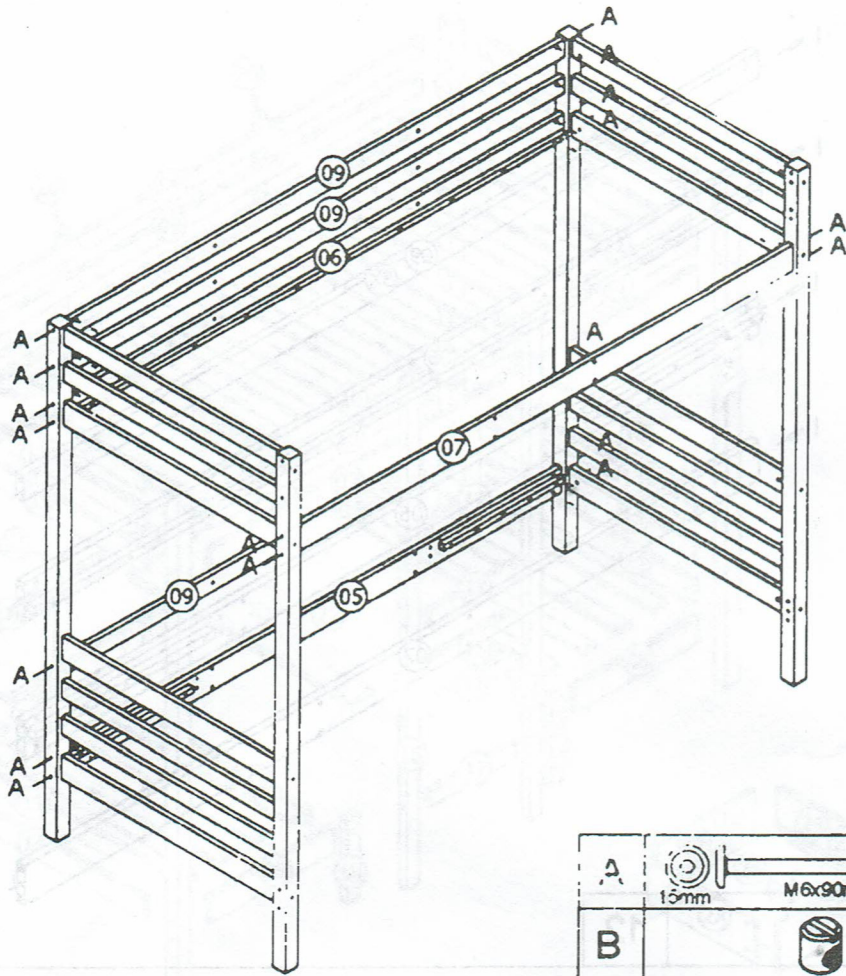
I		12
	Ø3x30mm	



03



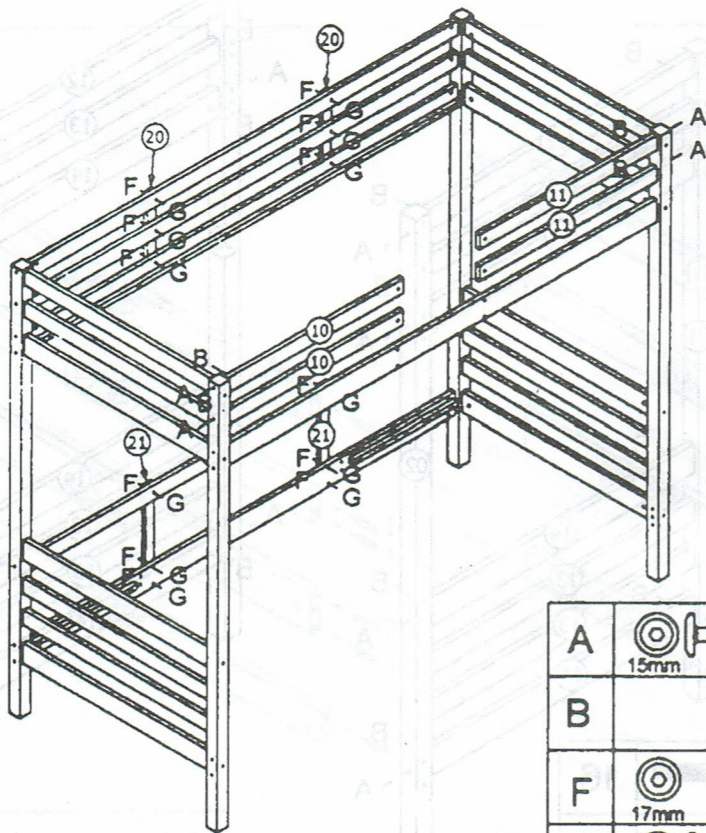
A		16
	15mm M6x90mm	
B		16





04



A		M6x90mm	18
B			18

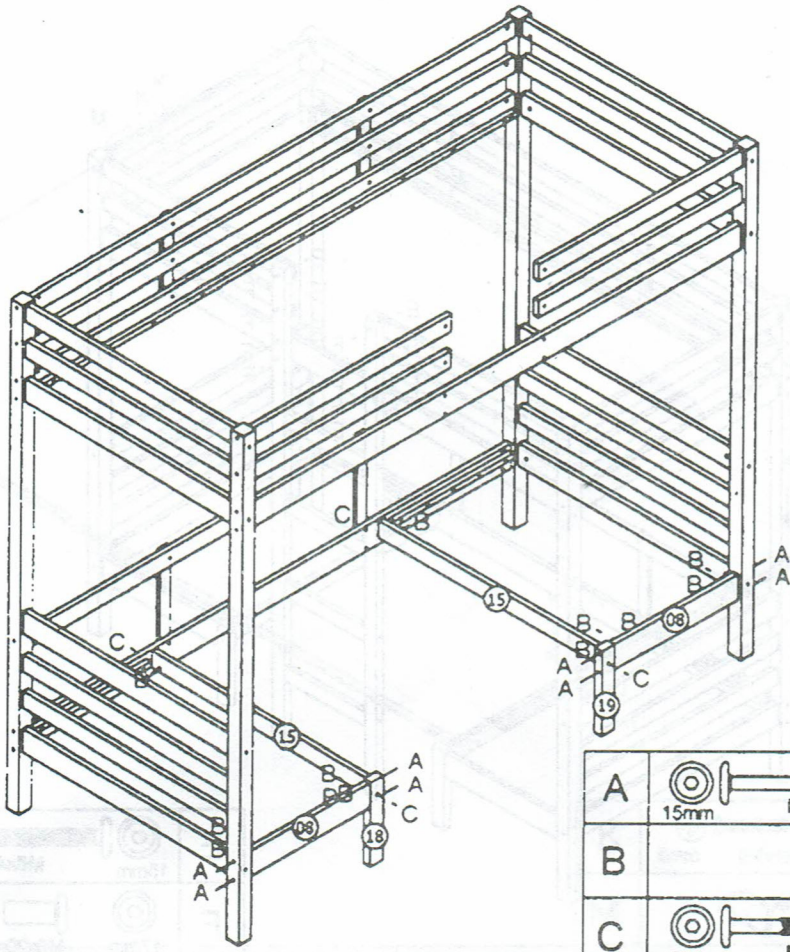
05






A		M6x90mm	04
B			04
F		M6x20mm	12
G		M6x23mm	12

06

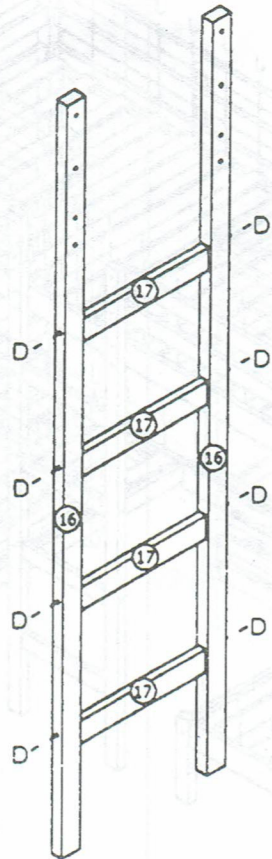
80




A	 15mm	M6x90mm	08
B			12
C	 15mm	M6x70mm	04

07

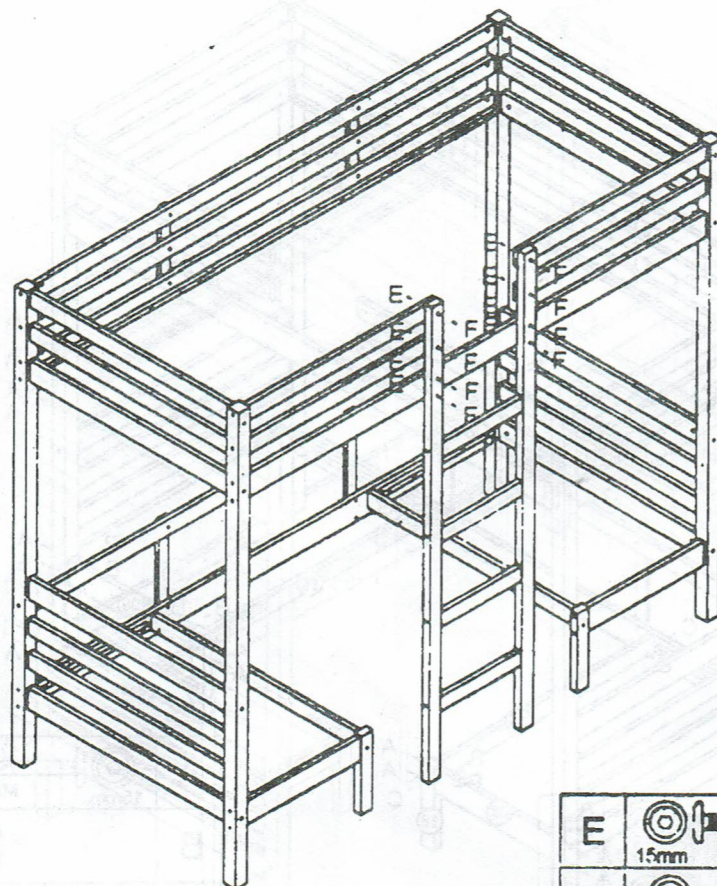
80





D	 15mm	Ø6x90mm	08
---	--	---------	----

08

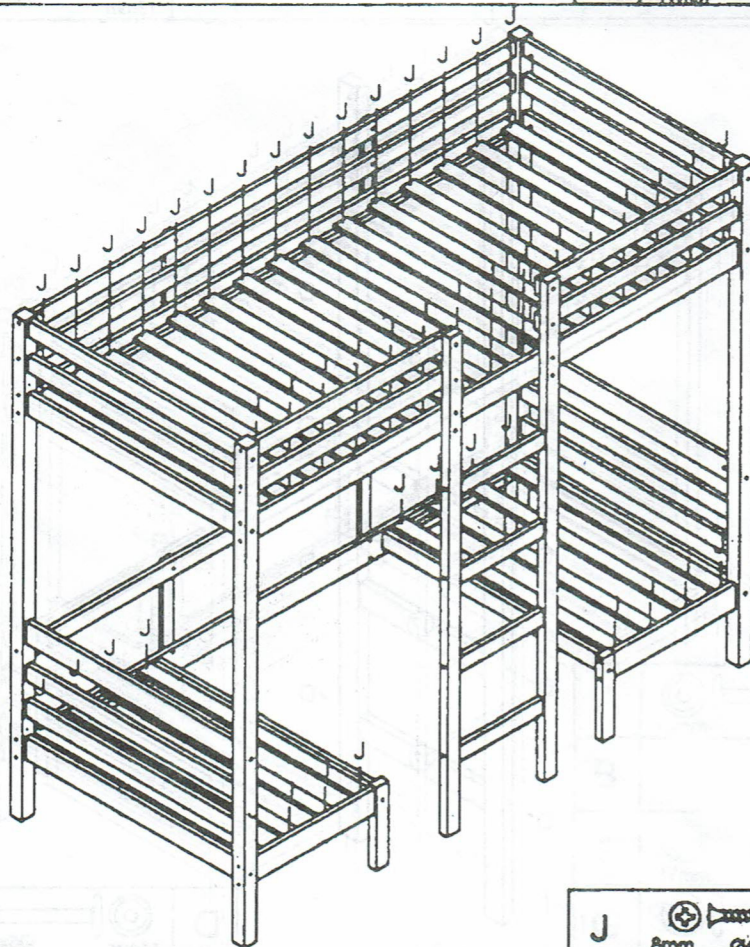
20




E		15mm	16x40mm	08
F		17mm	16x20mm	08

09

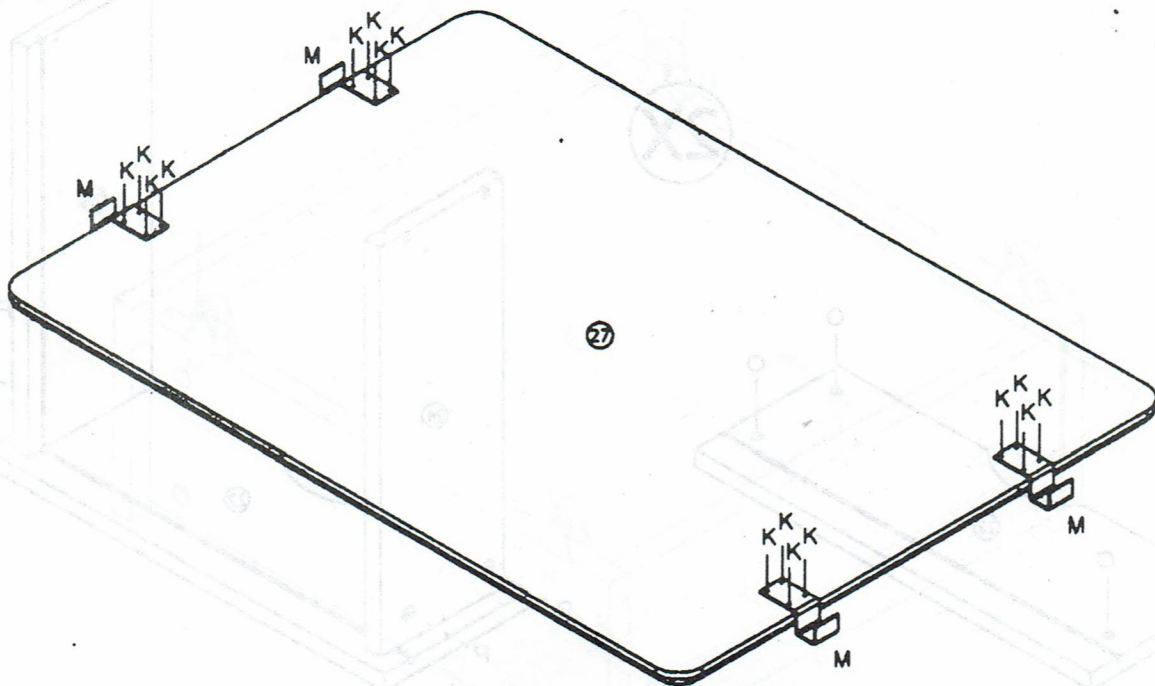
70





J		8mm	4x30mm	46
---	---	-----	--------	----

10

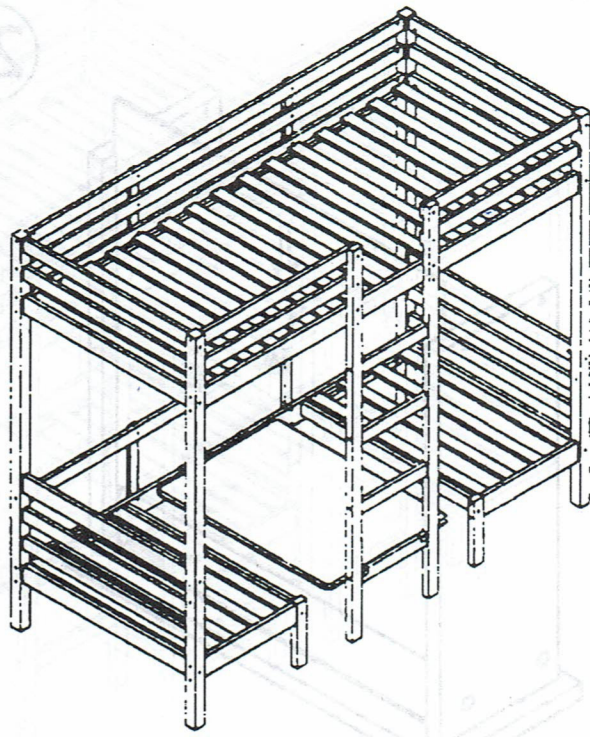
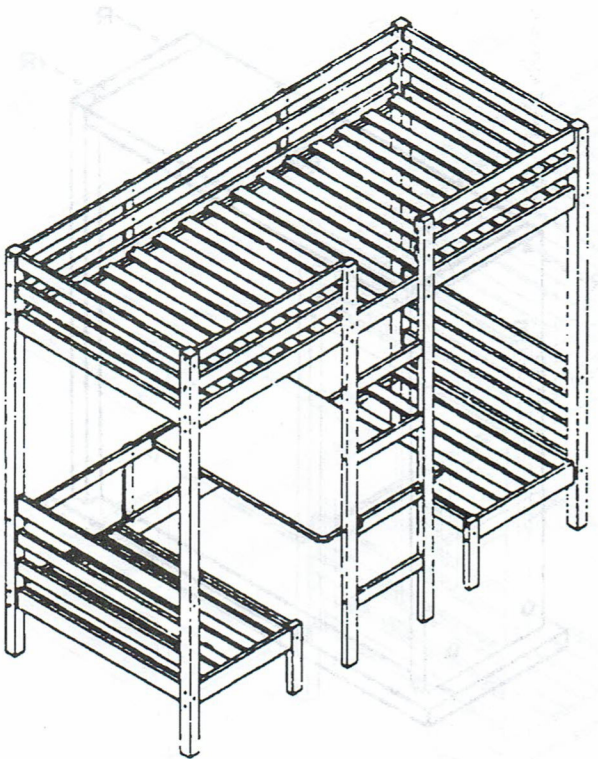
27



K	 6mm $\varnothing$ 4x16mm	16
M		04

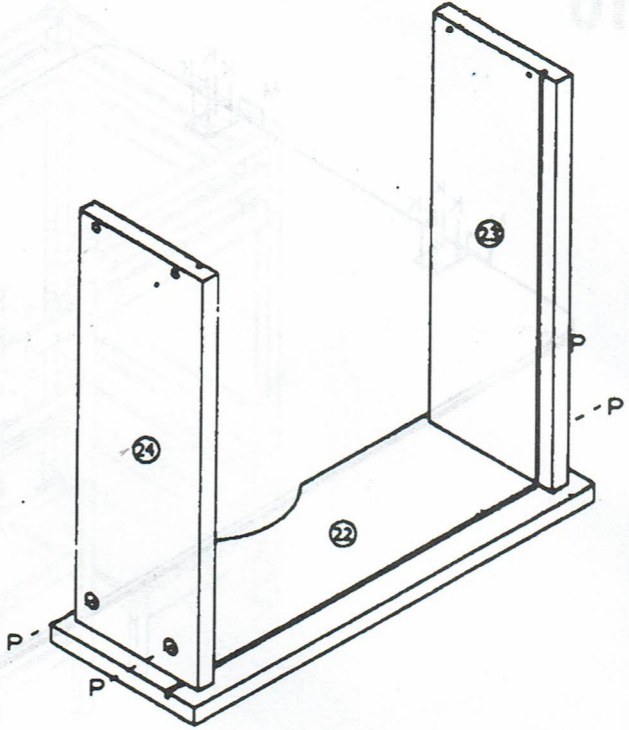
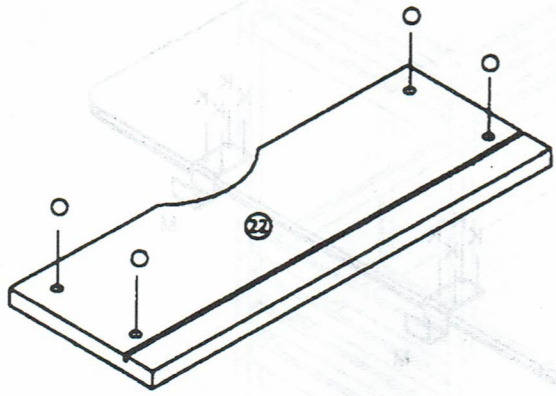
11



13



12

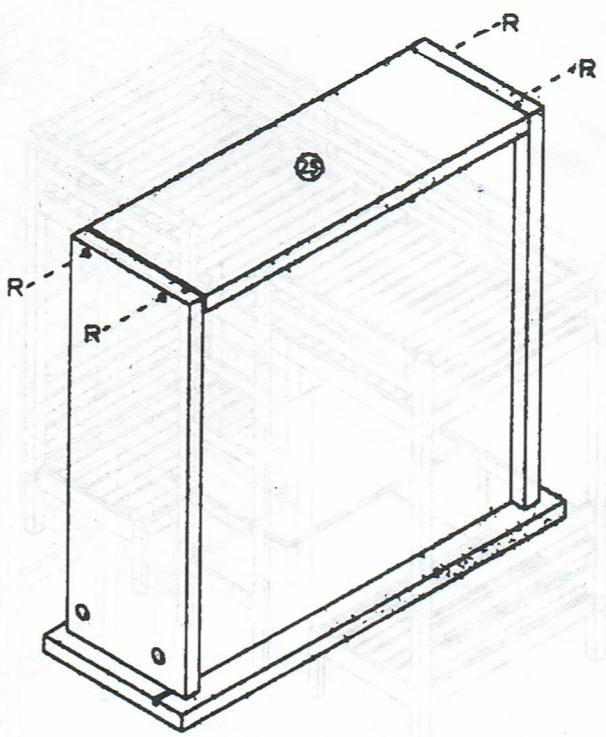
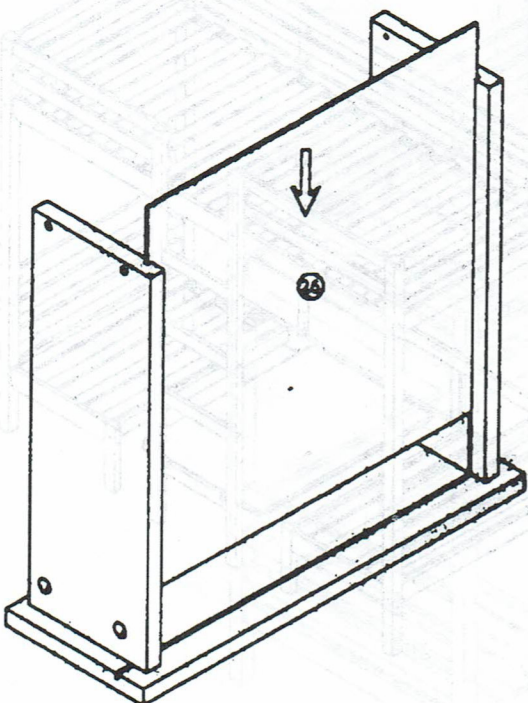
2X



O		08
P		08

13

2X

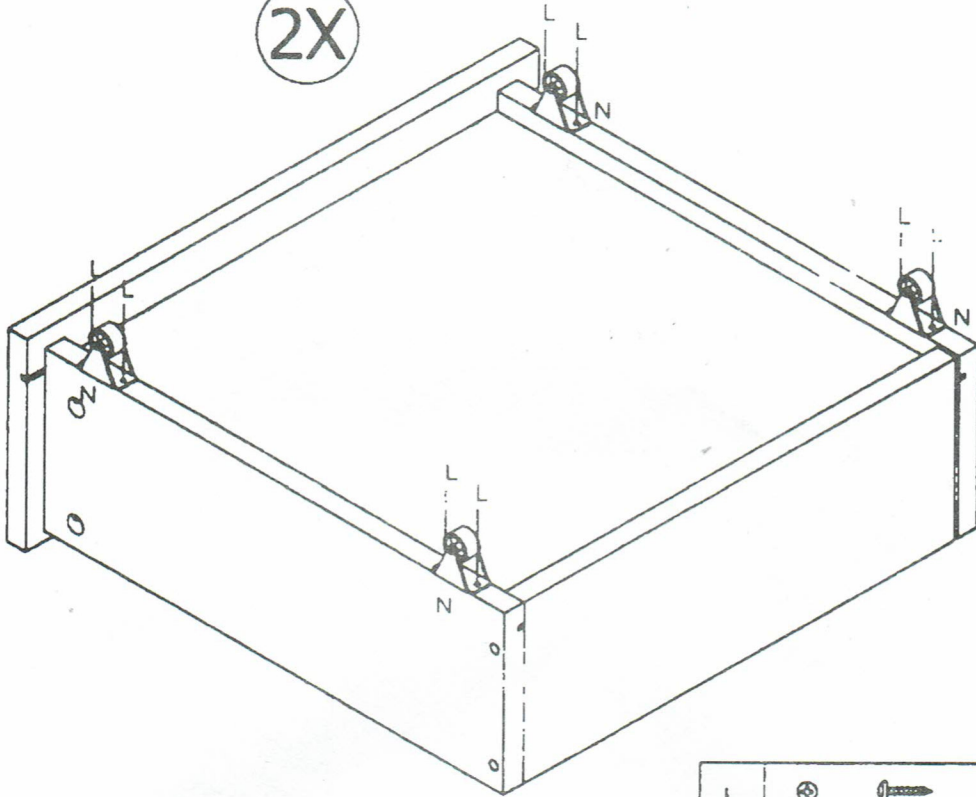





R	 5mm Ø4x40mm	08
---	--	----



14

2X



L	 7mm  Ø3x16mm	16
N		08

15

