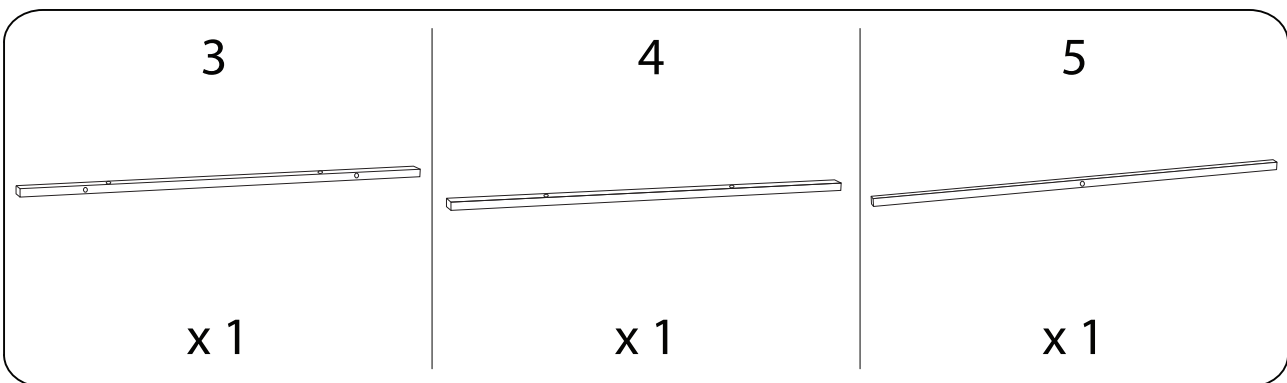
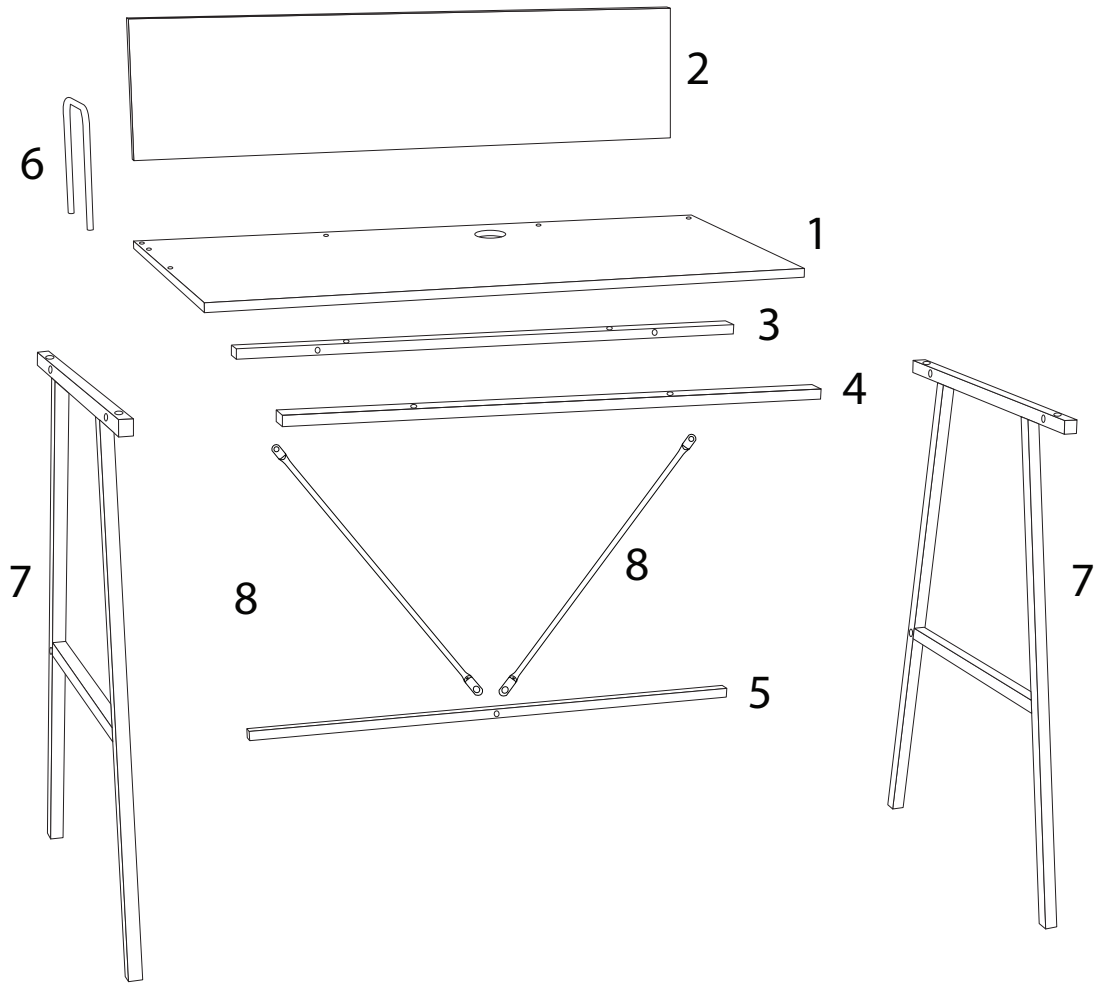
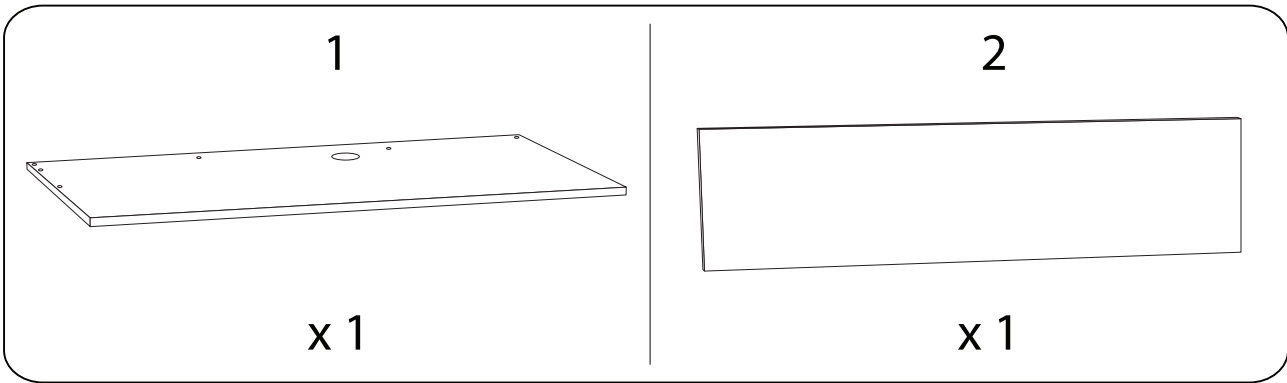




Assembly instructions for step 1/7:

- Tools:** A screwdriver is required. A power drill is not required (indicated by a slash through the drill icon).
- Time:** Estimated assembly time is 30 minutes (indicated by a clock icon).
- Warnings:** Two warning triangles are present, indicating potential hazards during assembly.
- Personnel:** One person is required for assembly (indicated by a person icon).

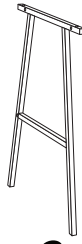


6



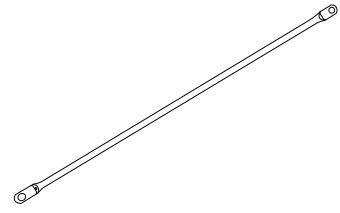
x 1

7



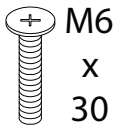
x 2

8



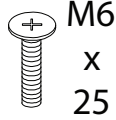
x 2

A



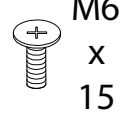
x 14

B



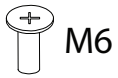
x 6

C



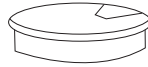
x 3

D



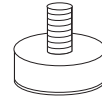
x 3

E



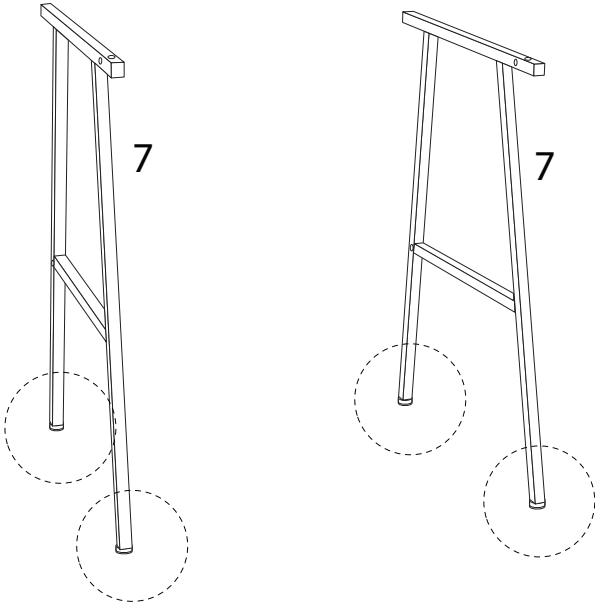
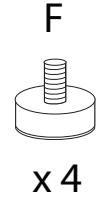
x 1

F

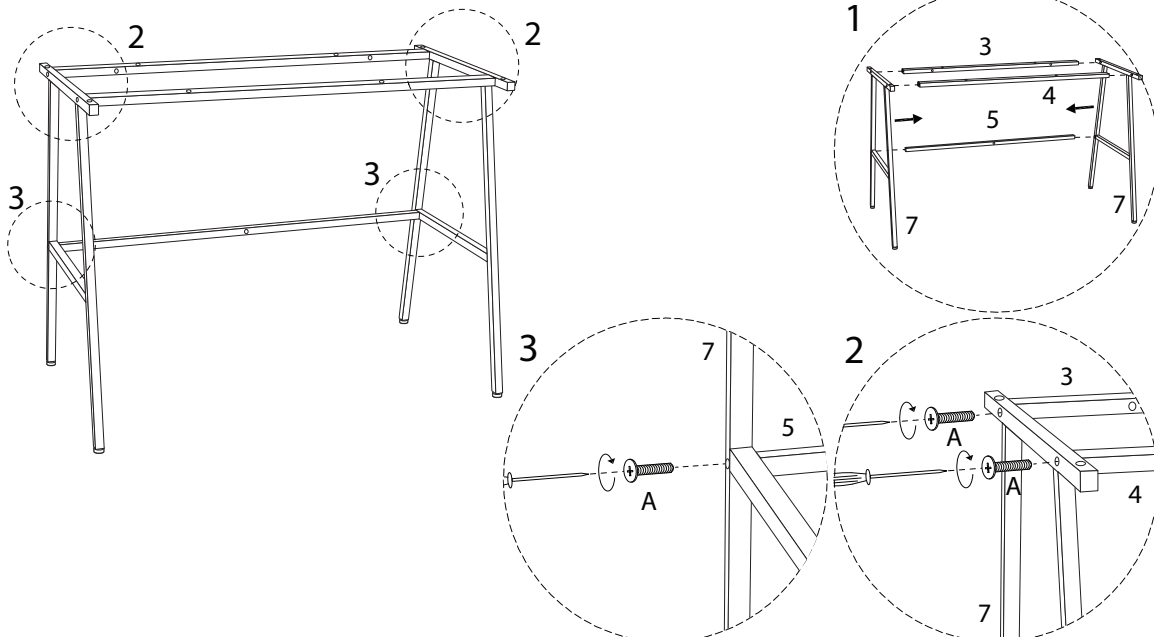
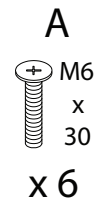
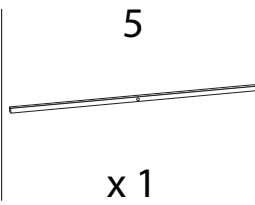
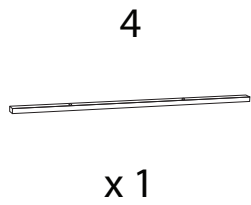
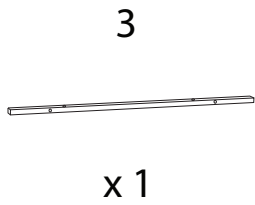


x 4

1

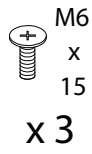


2

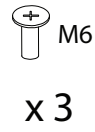


3

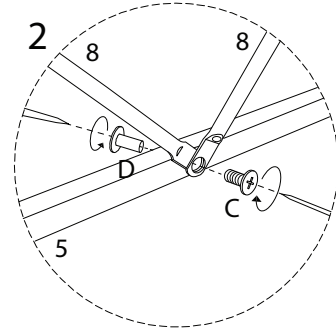
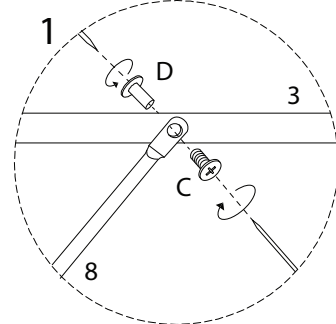
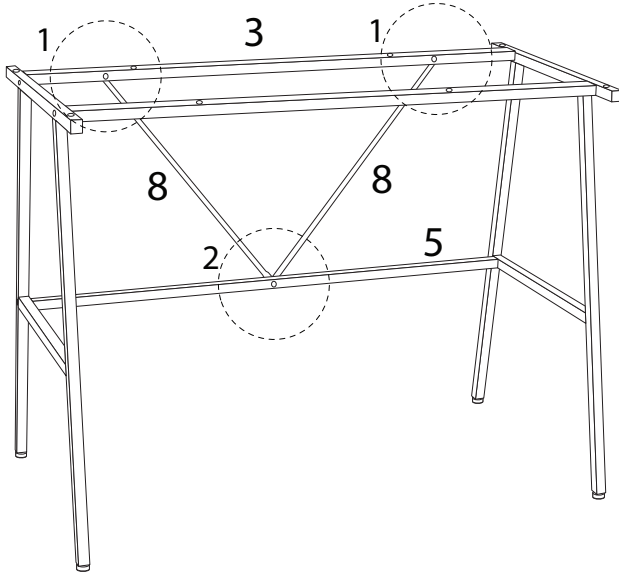
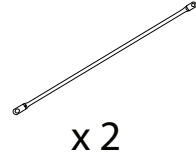
C



D

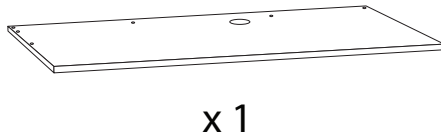


8

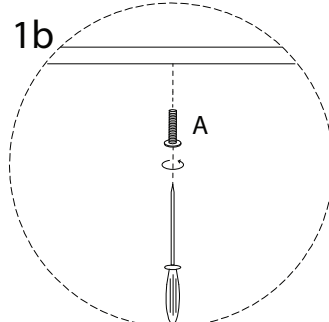
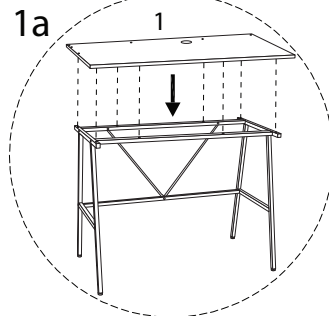
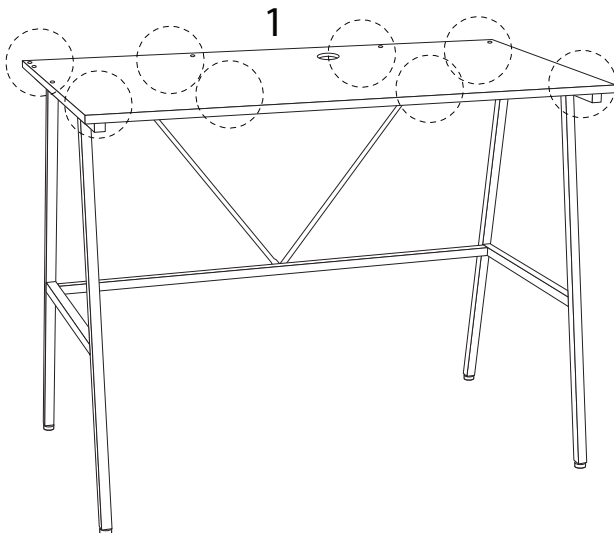
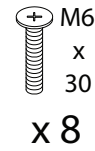


4

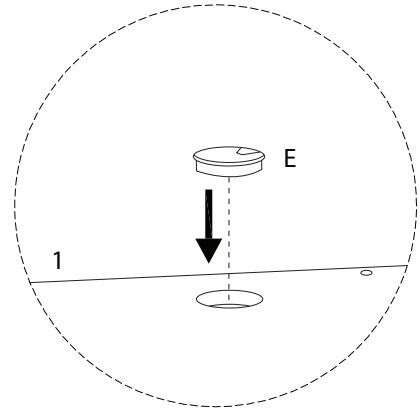
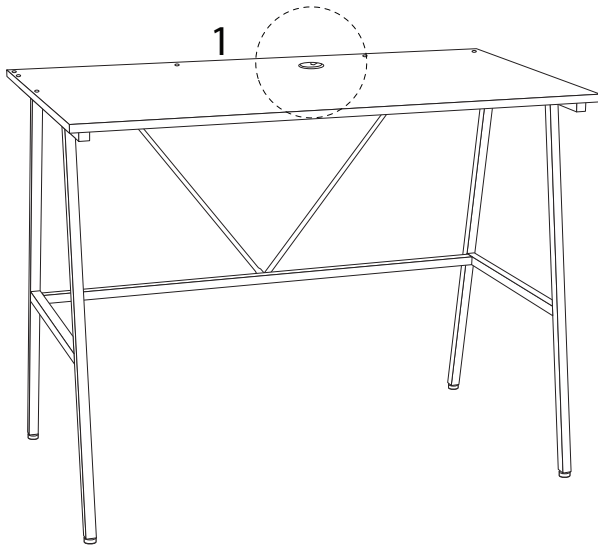
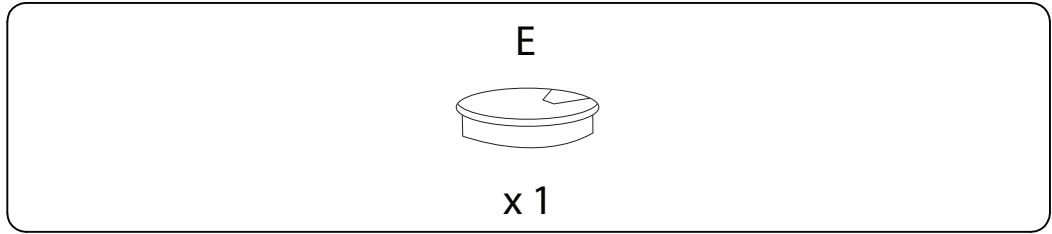
1



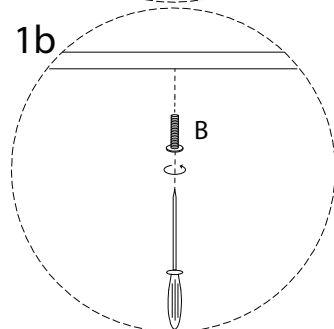
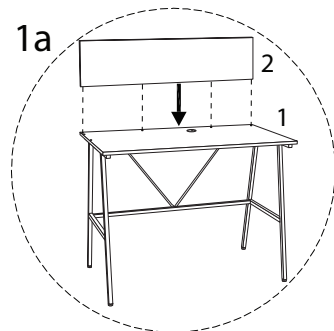
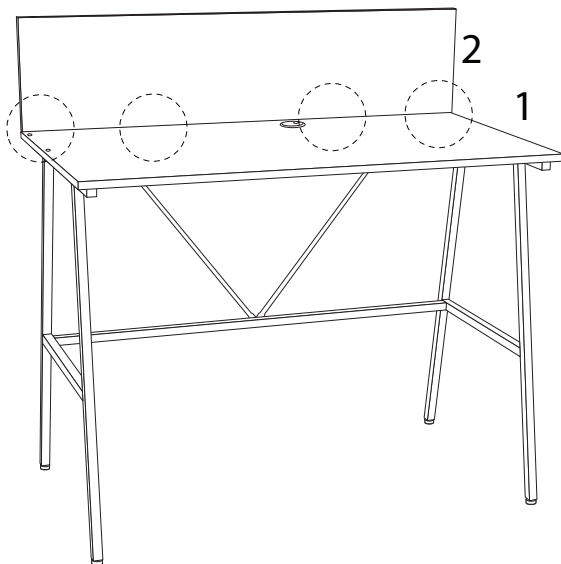
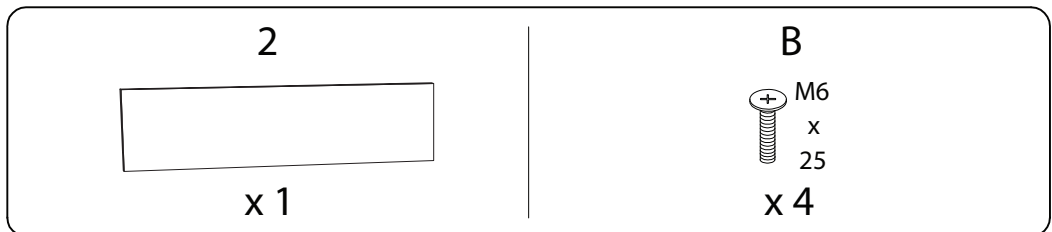
A



5



6



7

