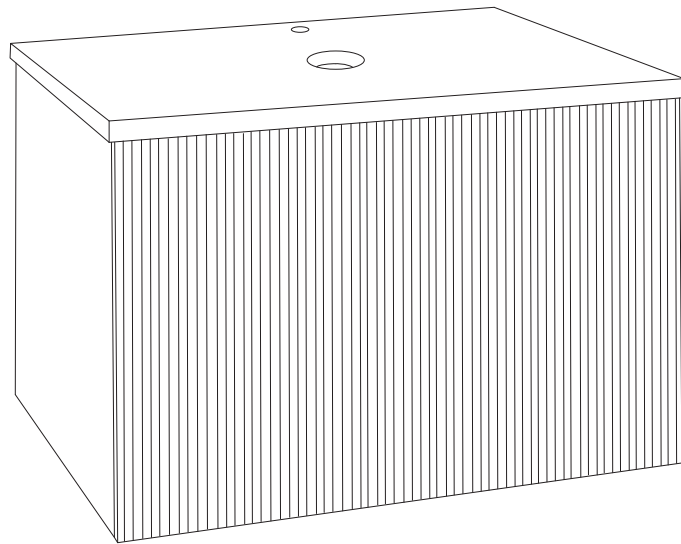
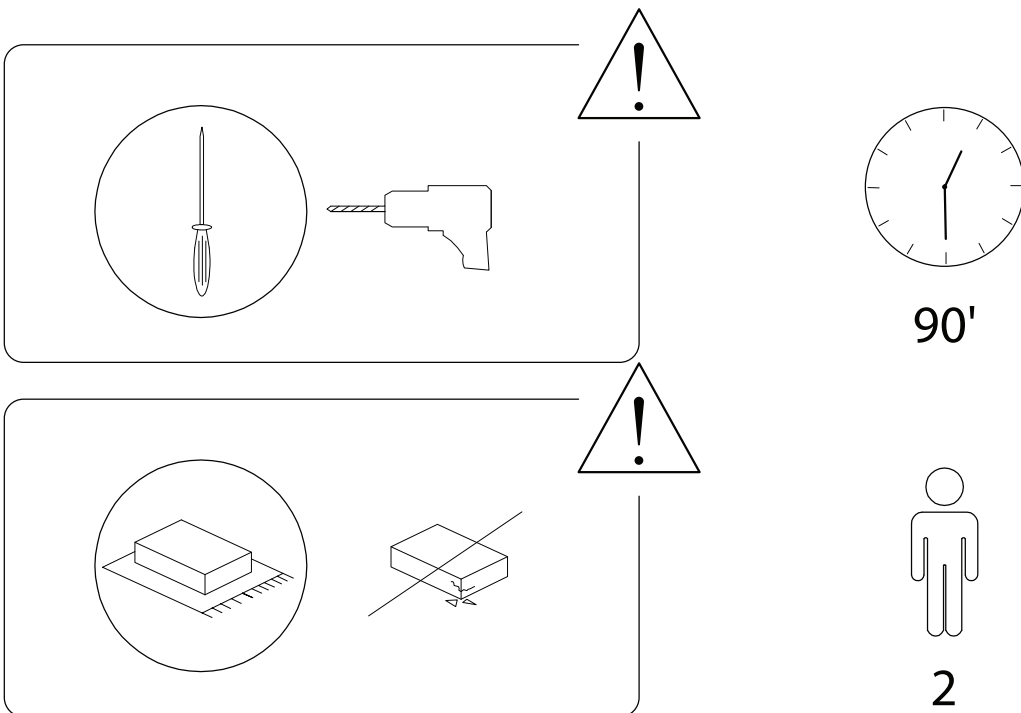
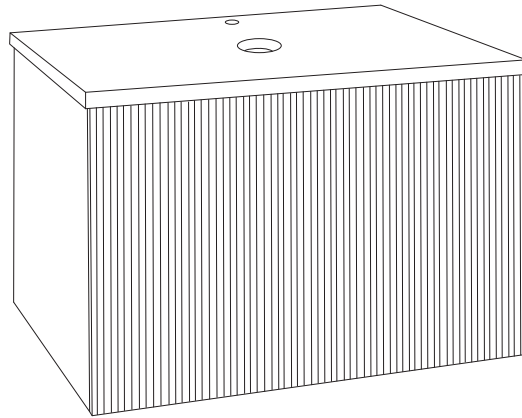
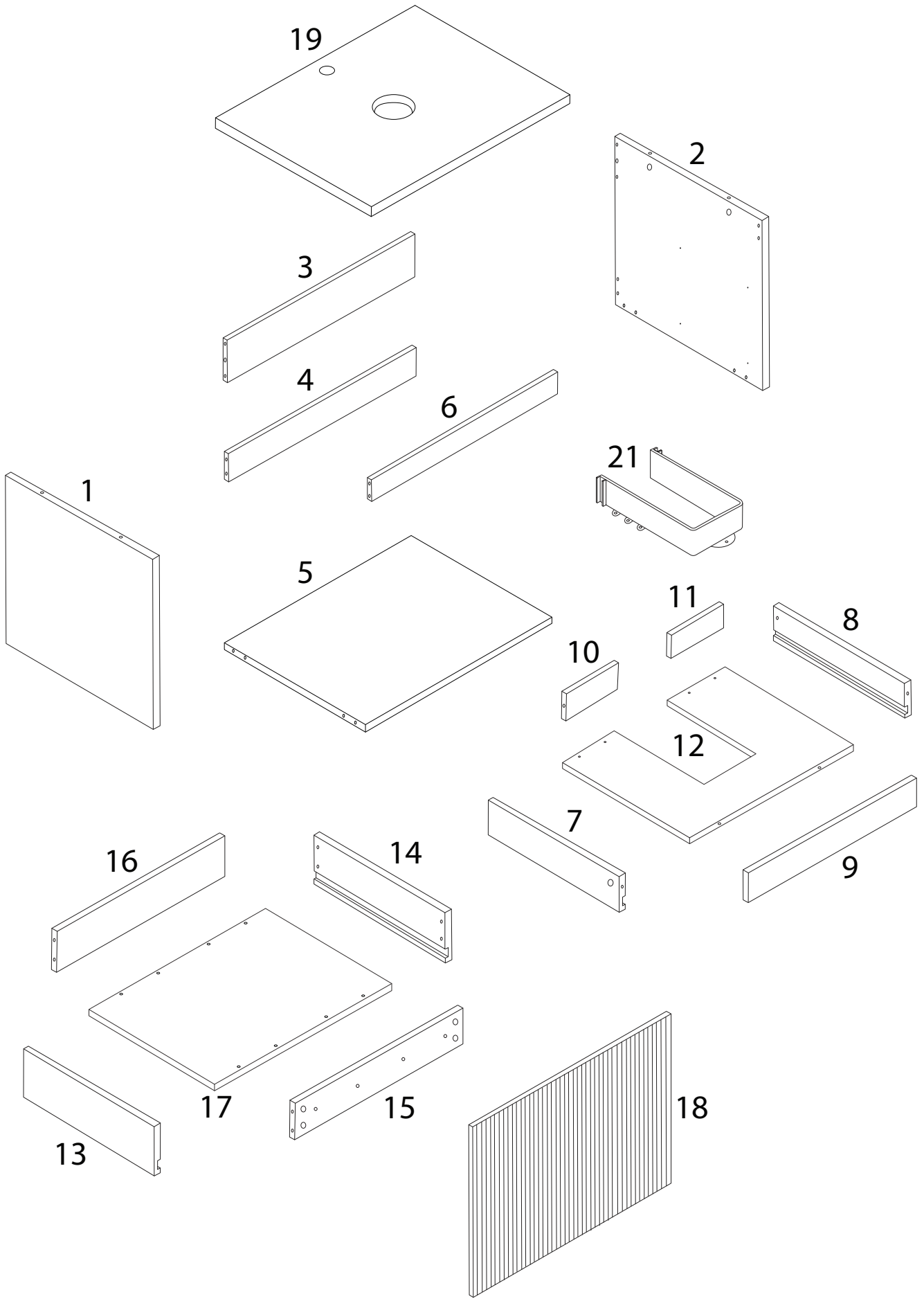
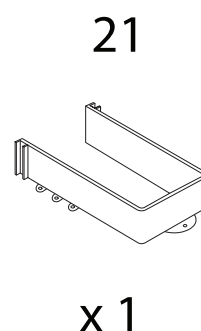
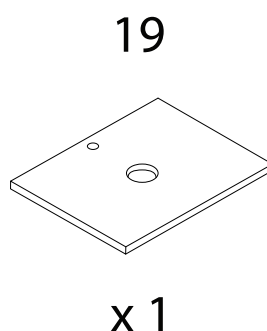
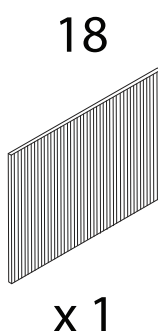
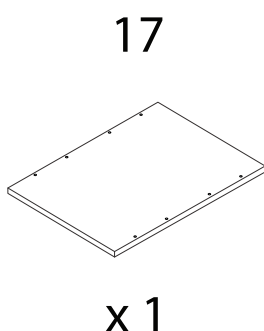
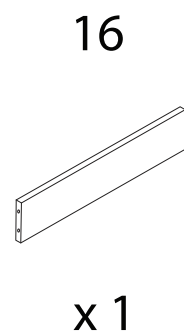
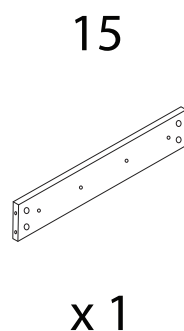
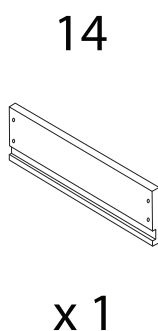
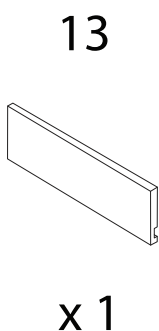
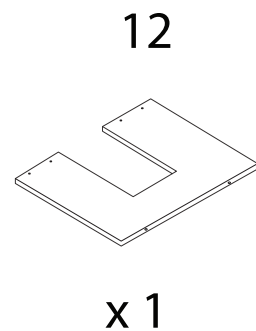
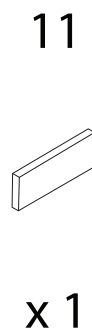
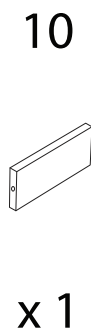
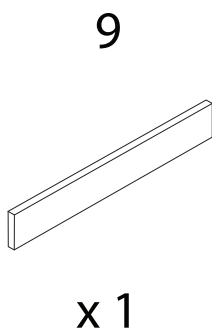
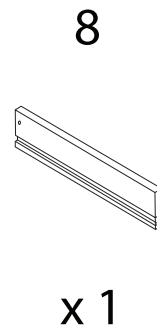
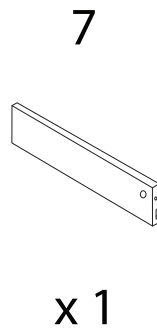
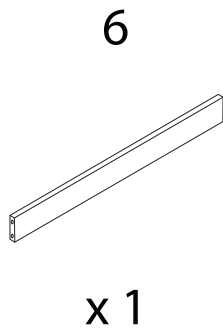
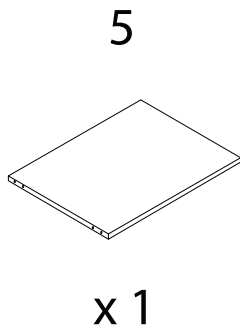
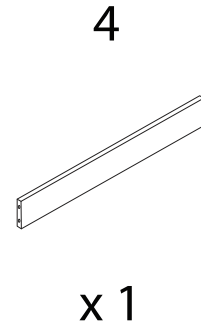
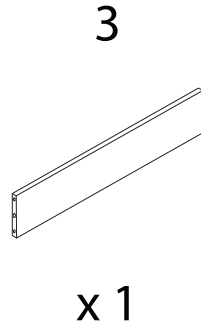
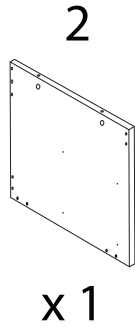
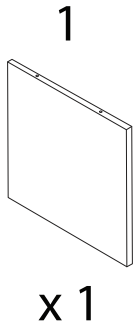


ALZIRA







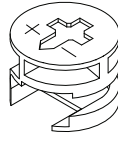


A



x 34

B



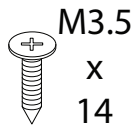
x 34

C



x 6

D



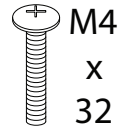
x 43

E



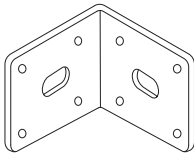
x 12

F



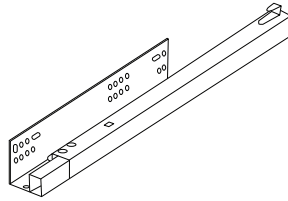
x 4

G



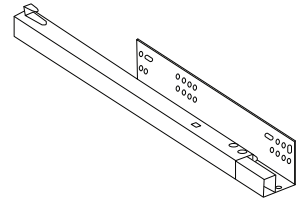
x 2

H



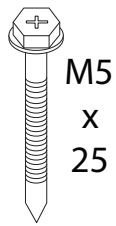
x 2

I



x 2

J



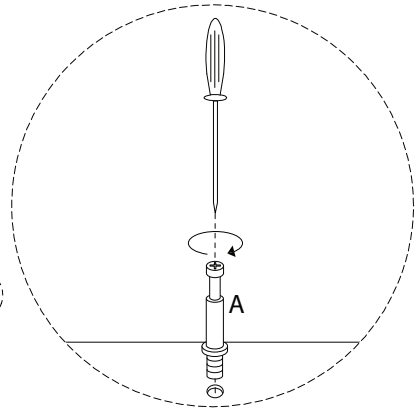
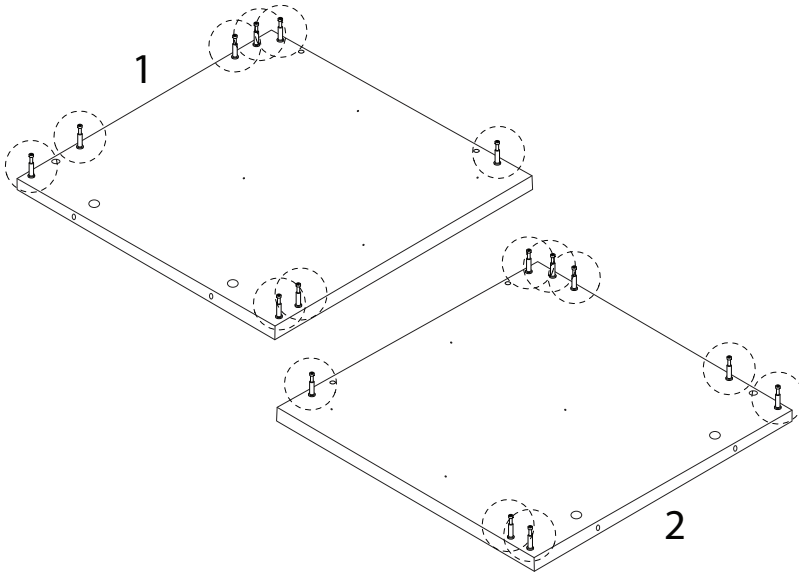
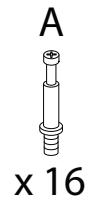
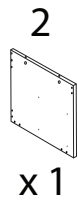
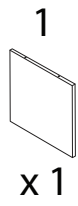
x 2

K

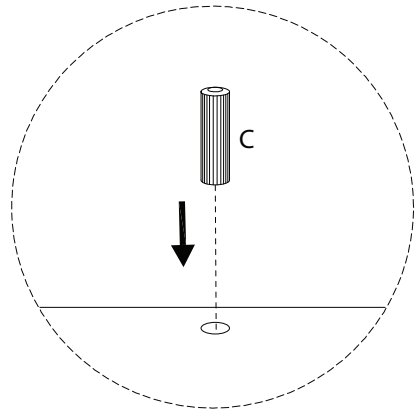
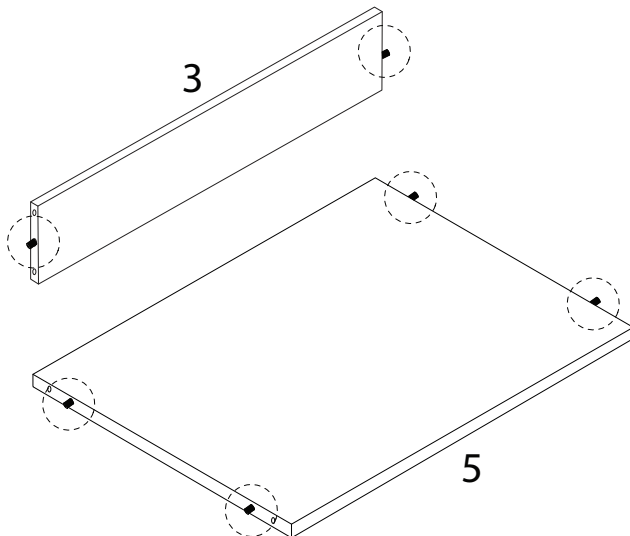
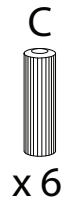
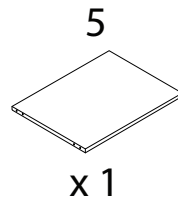
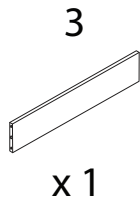


x 2

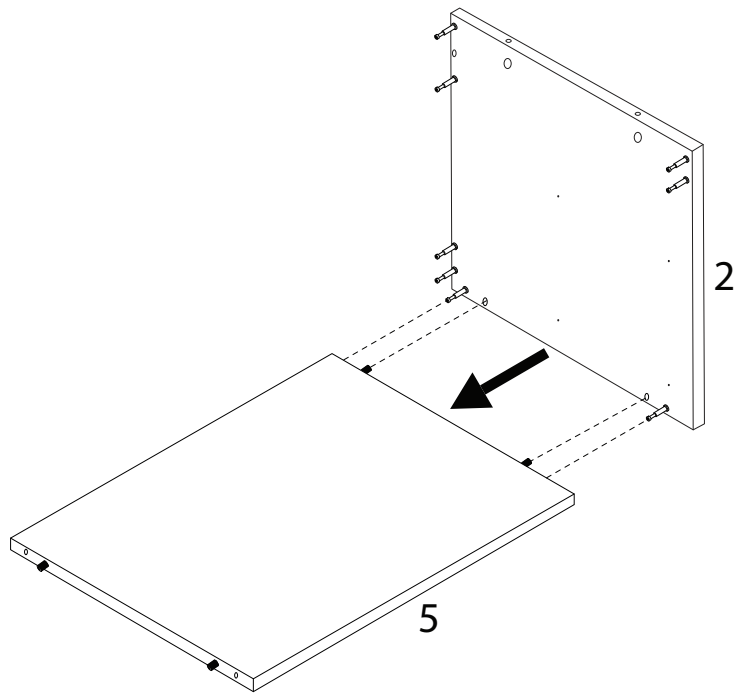
1



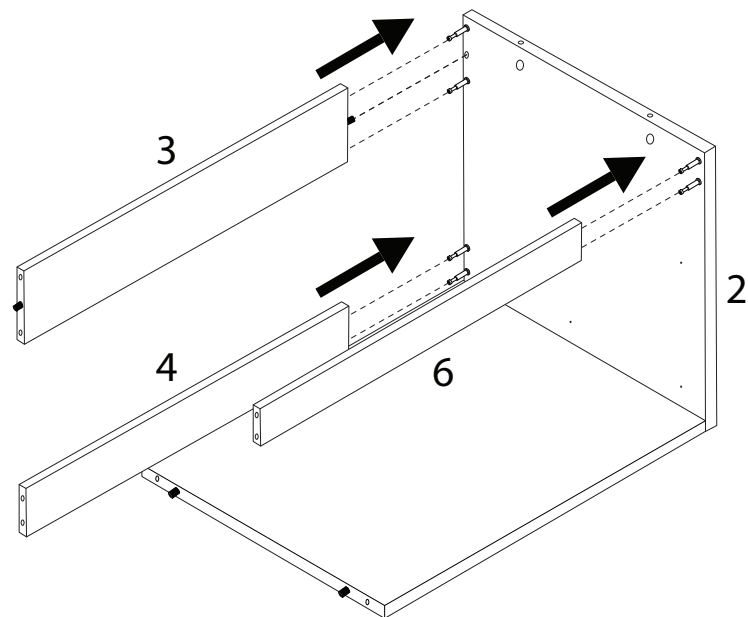
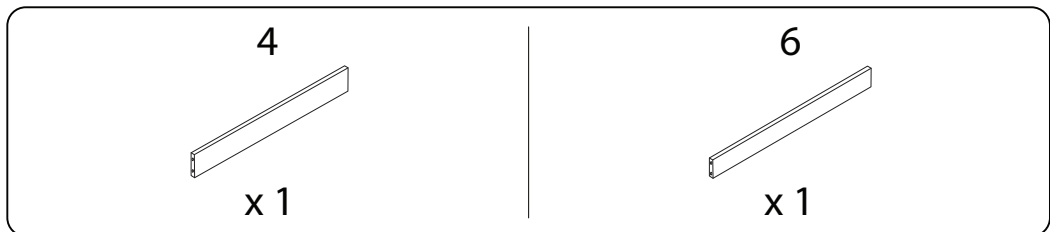
2



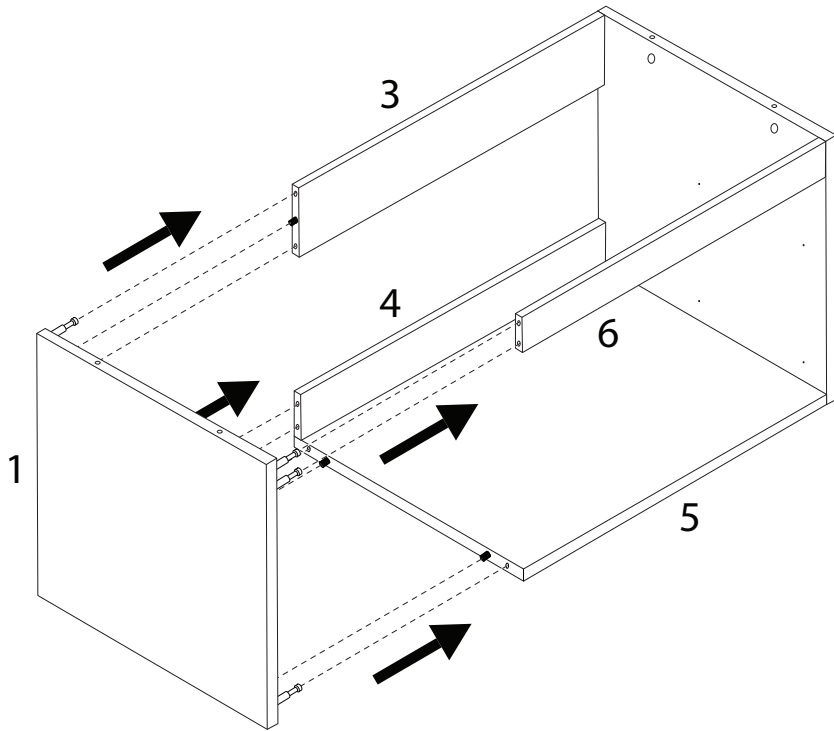
3



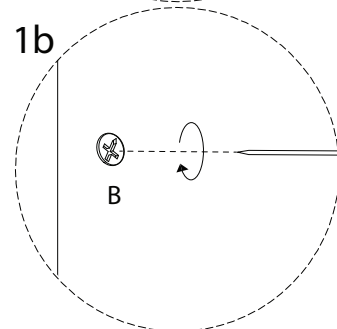
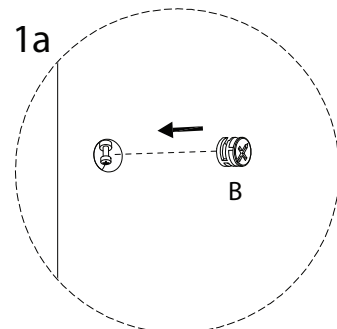
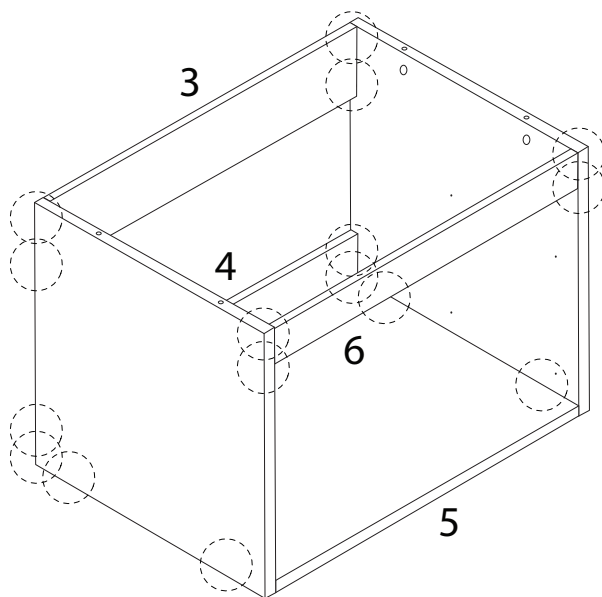
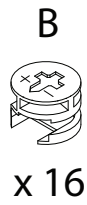
4



5



6



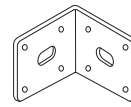
7

D

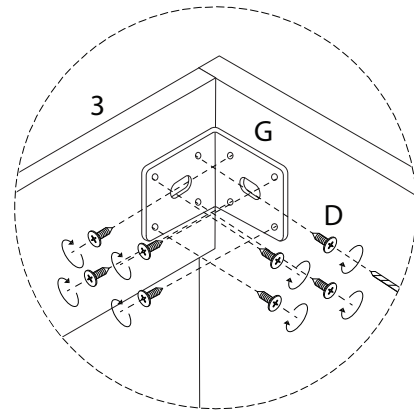
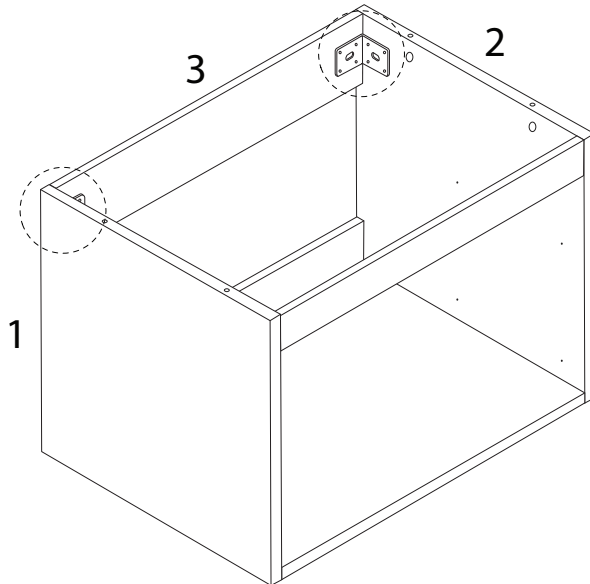
M3.5
x
14
x 16



G



x 2



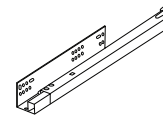
8

D

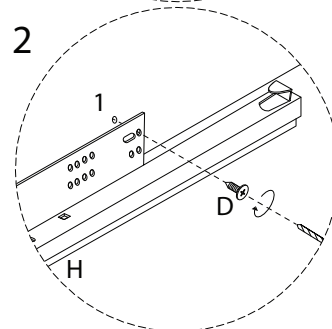
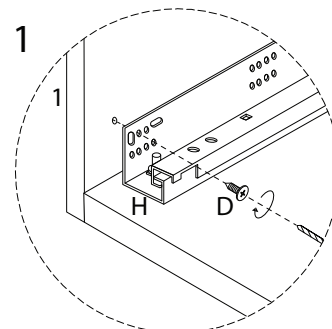
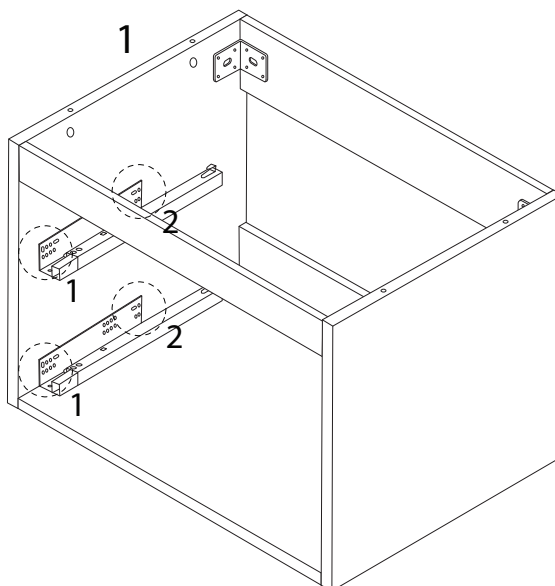
M3.5
x
14
x 4



H



x 2



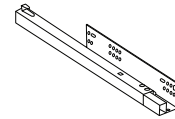
9

D

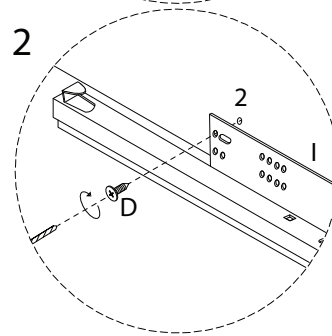
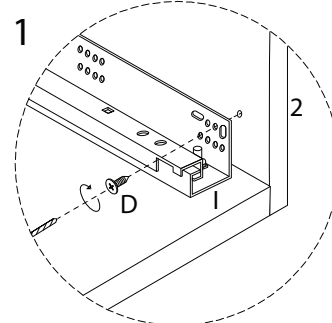
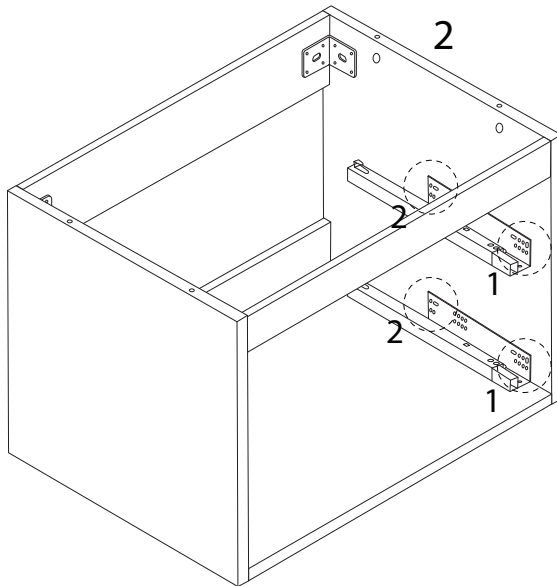
M3.5
x
14

x 4

I

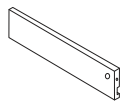


x 2



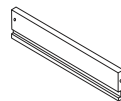
10

7



x 1

8

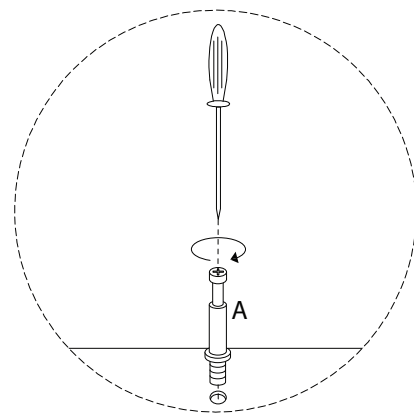
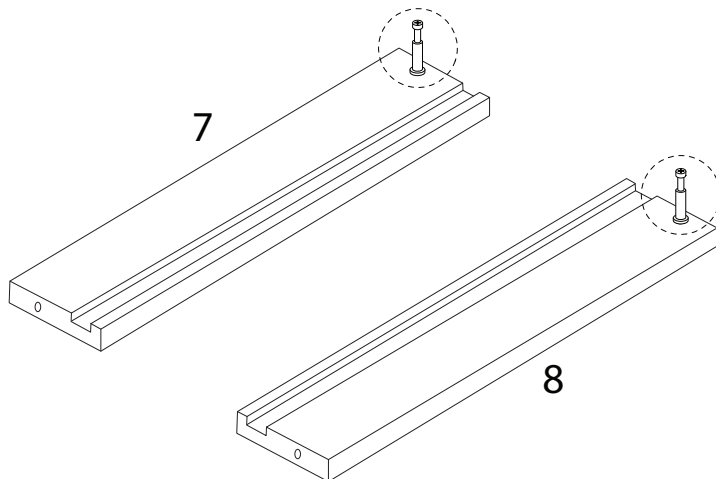


x 1

A



x 2



11

10

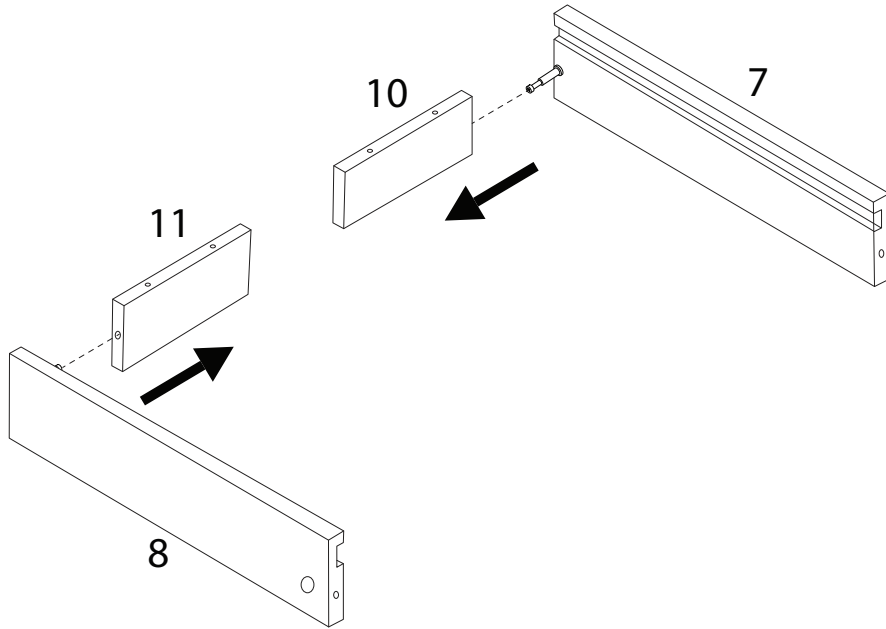


x 1

11

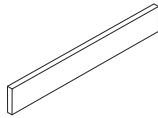


x 1



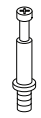
12

9

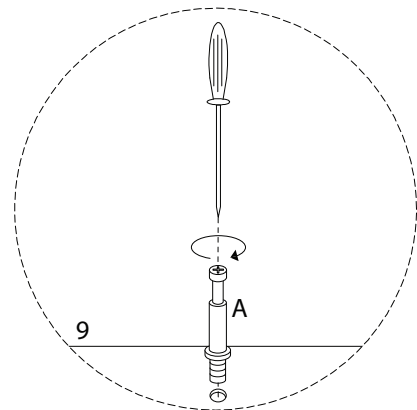
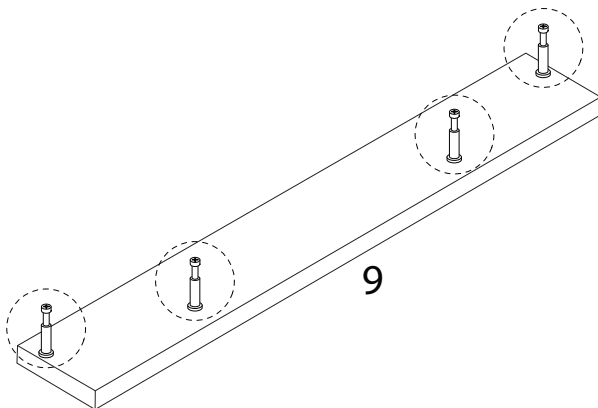


x 1

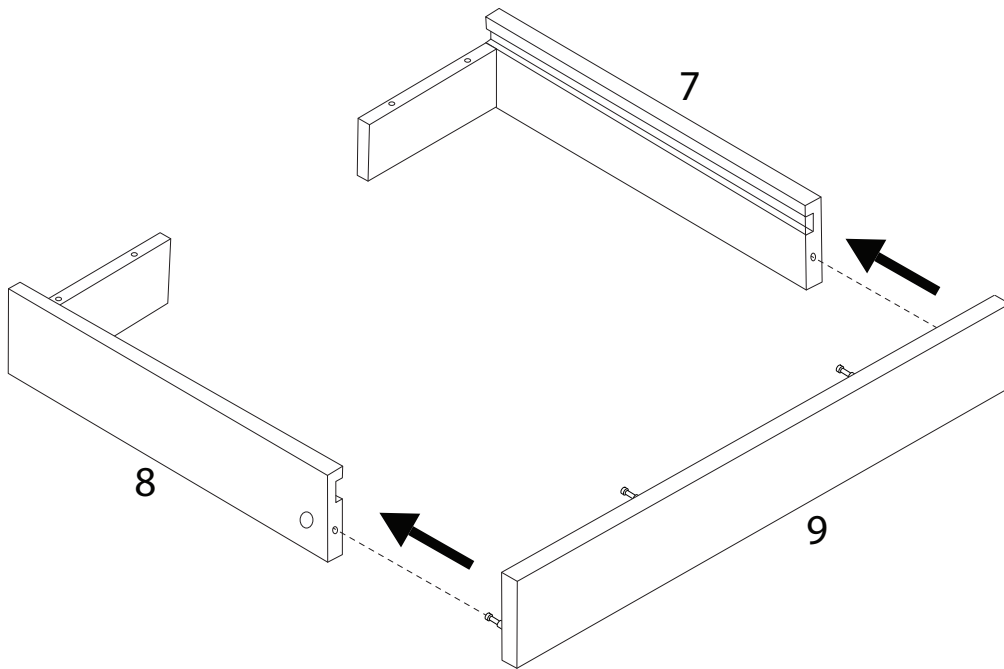
A



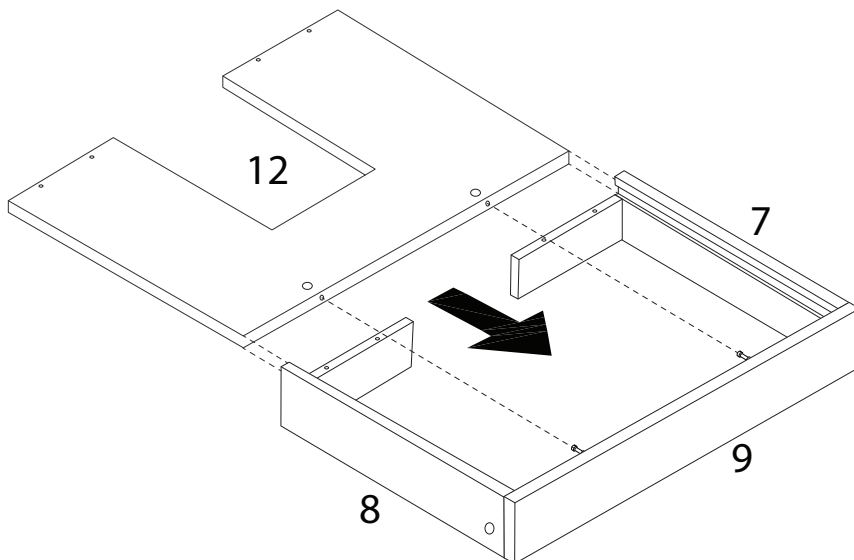
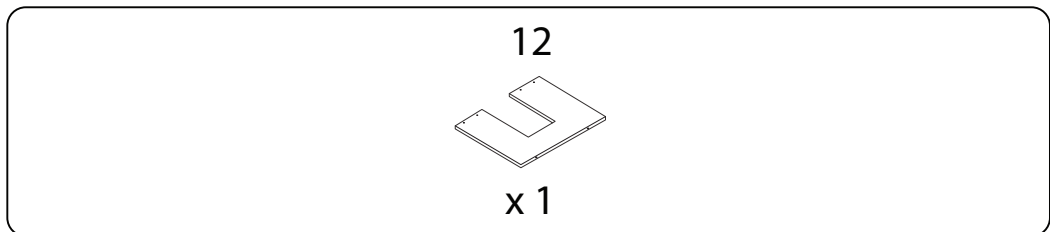
x 4



13



14

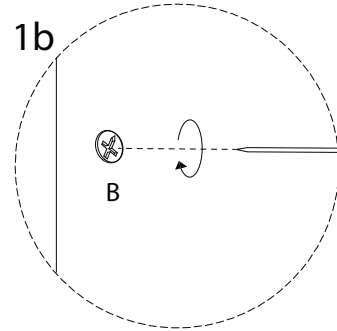
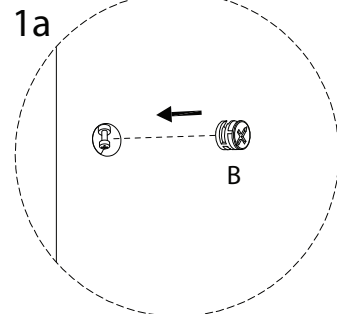
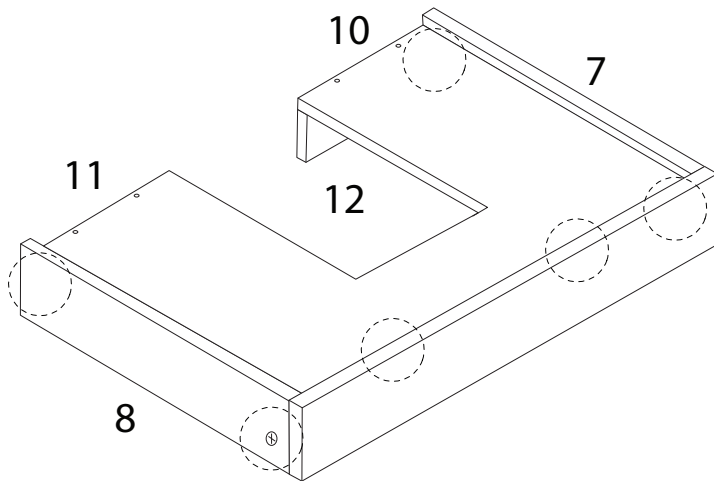


15

B



x 6

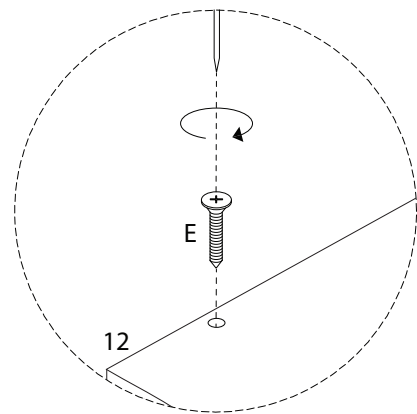
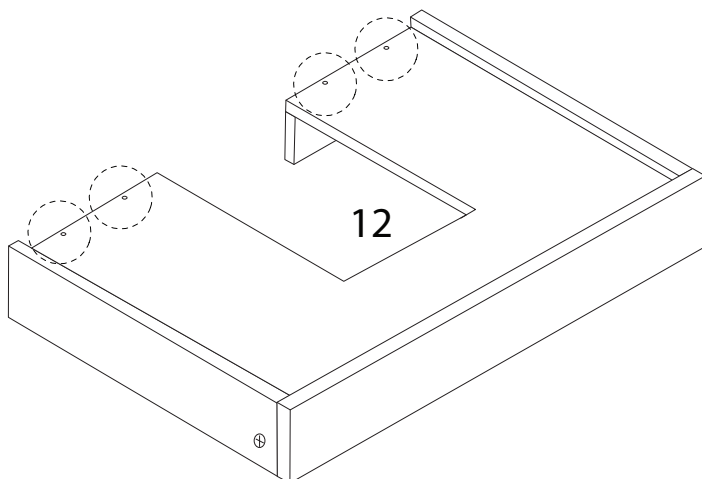


16

E

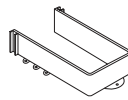


x 4

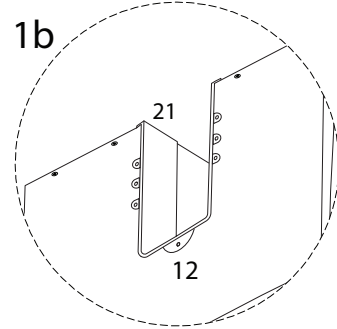
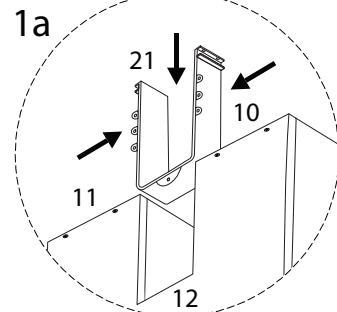
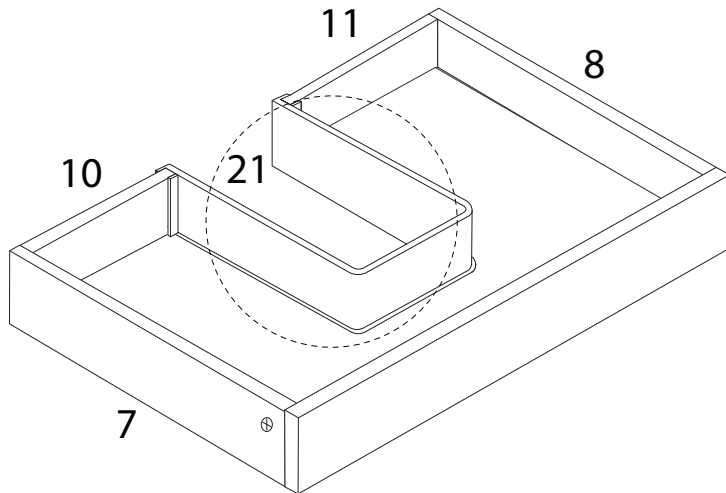


17

21

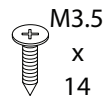


x 1

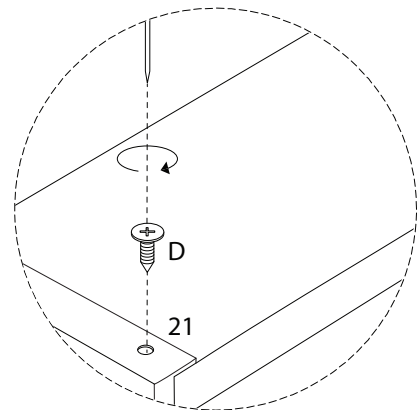
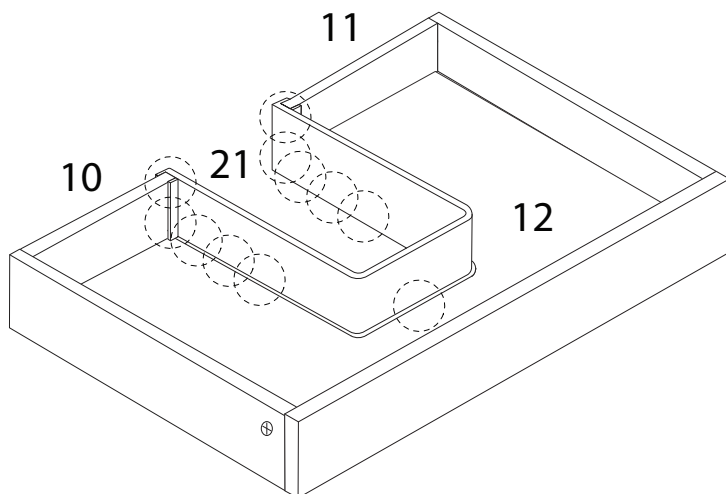


18

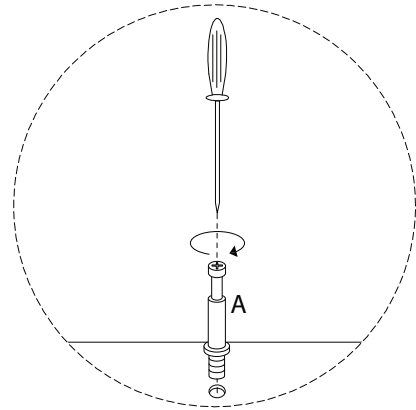
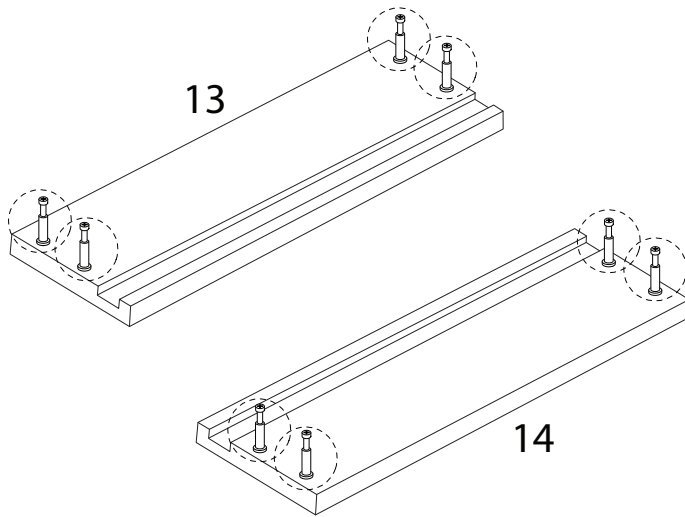
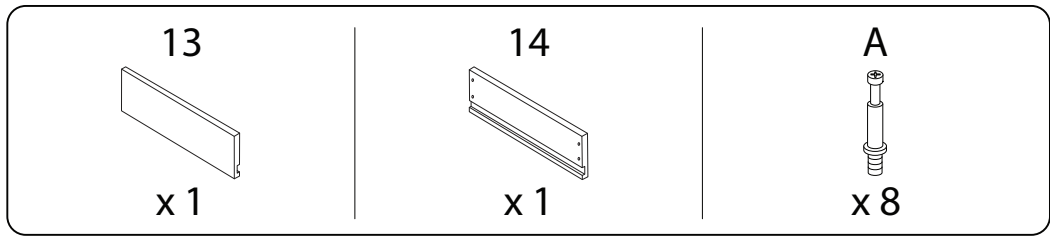
D



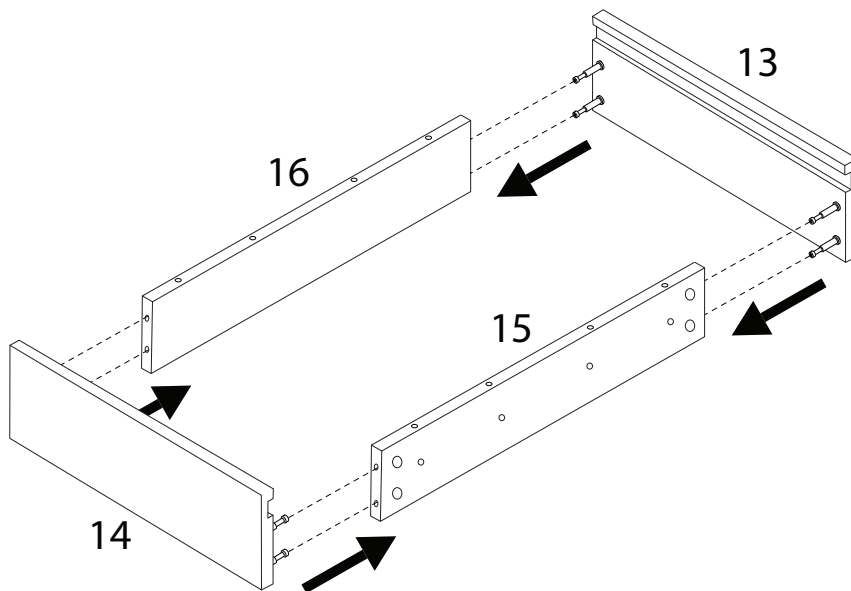
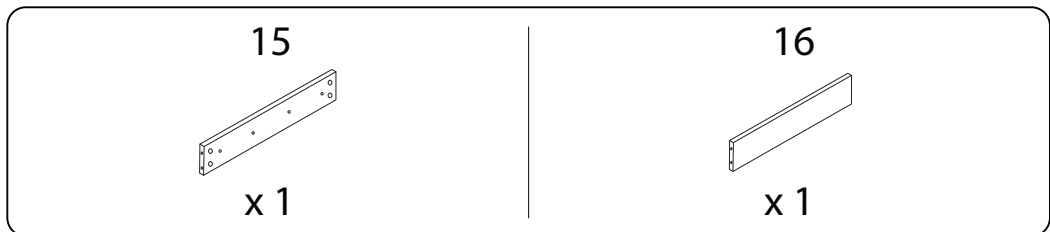
x 11



19

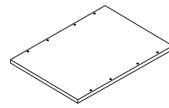


20

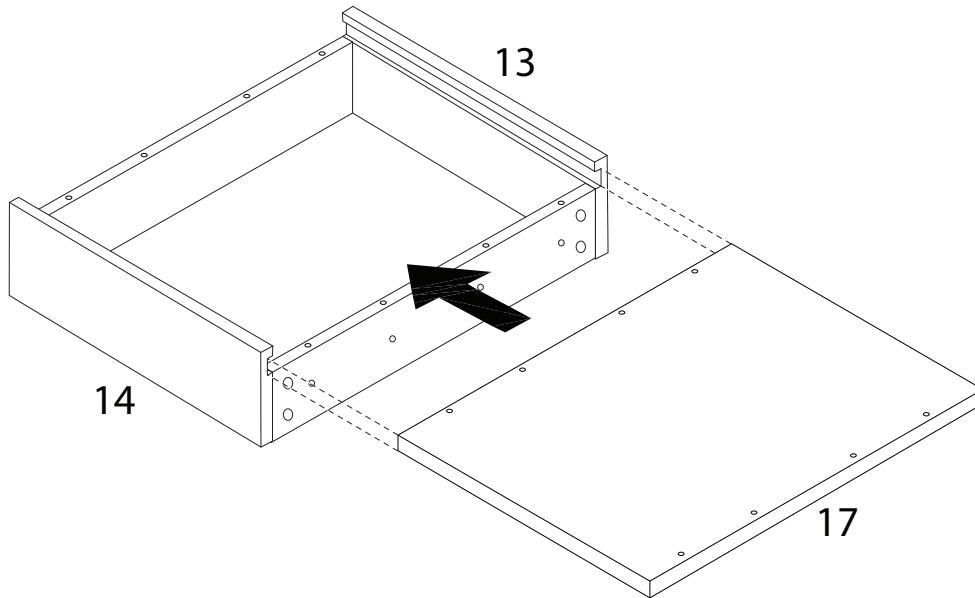


21

17



x 1

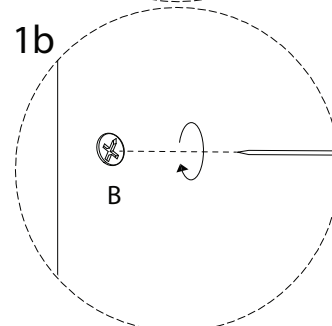
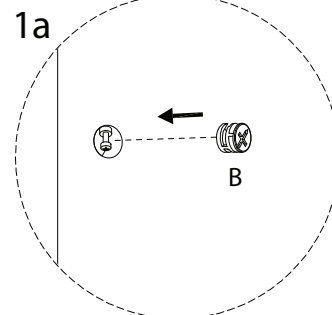
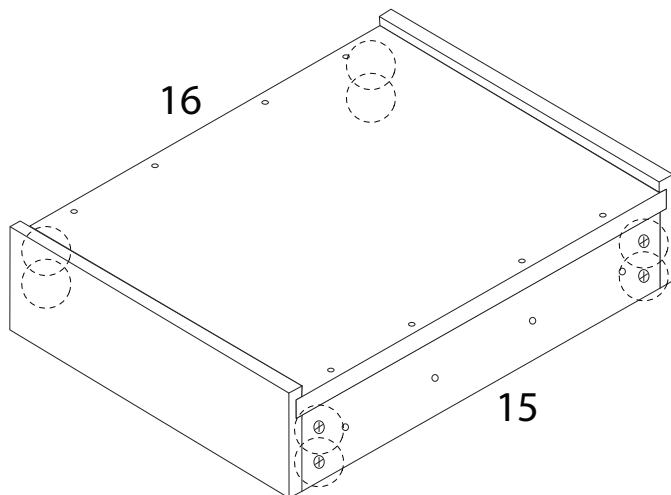


22

B



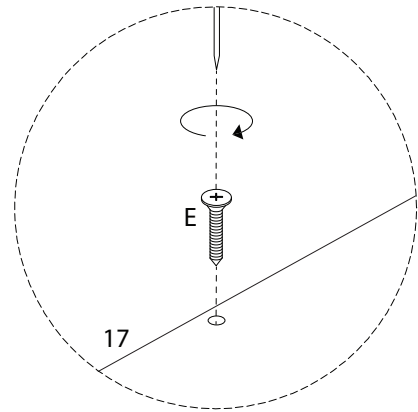
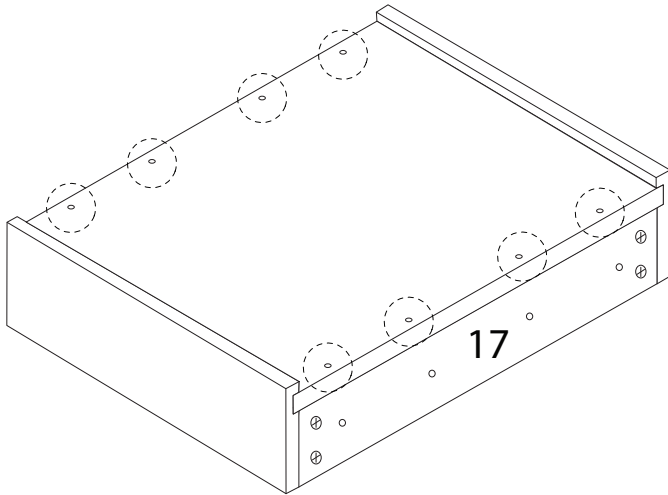
x 8



23

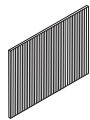
E

M4
x
24
x 8



24

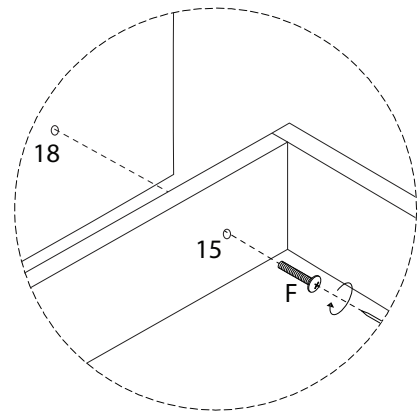
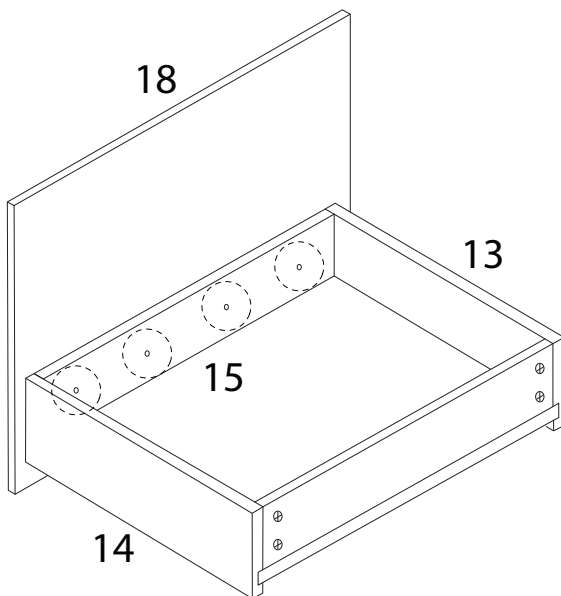
18



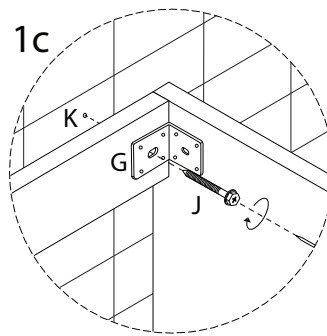
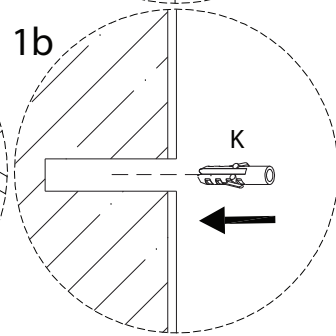
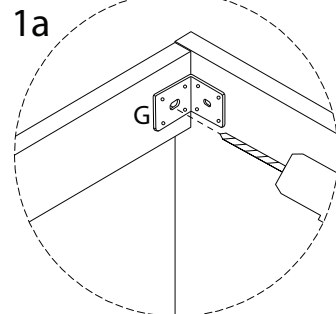
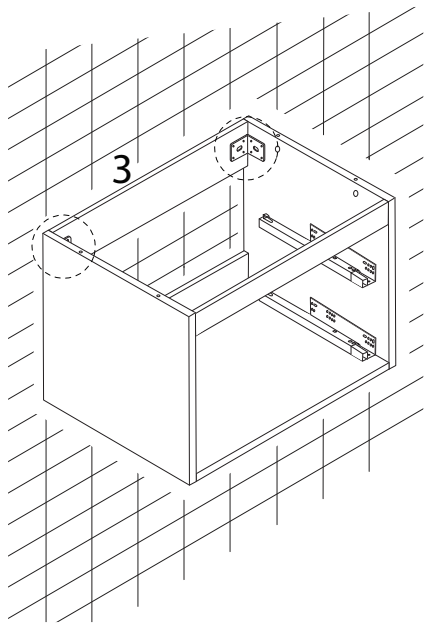
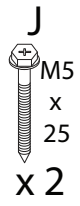
x 1

F

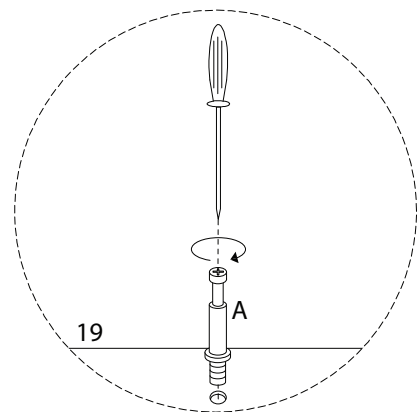
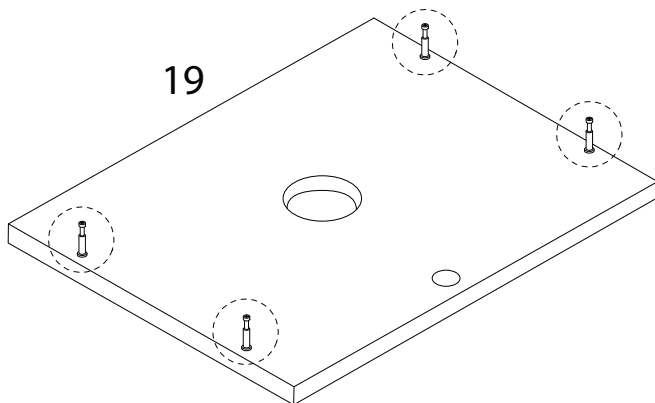
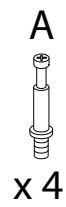
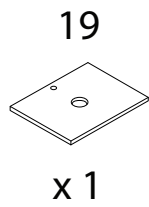
M4
x
32
x 4



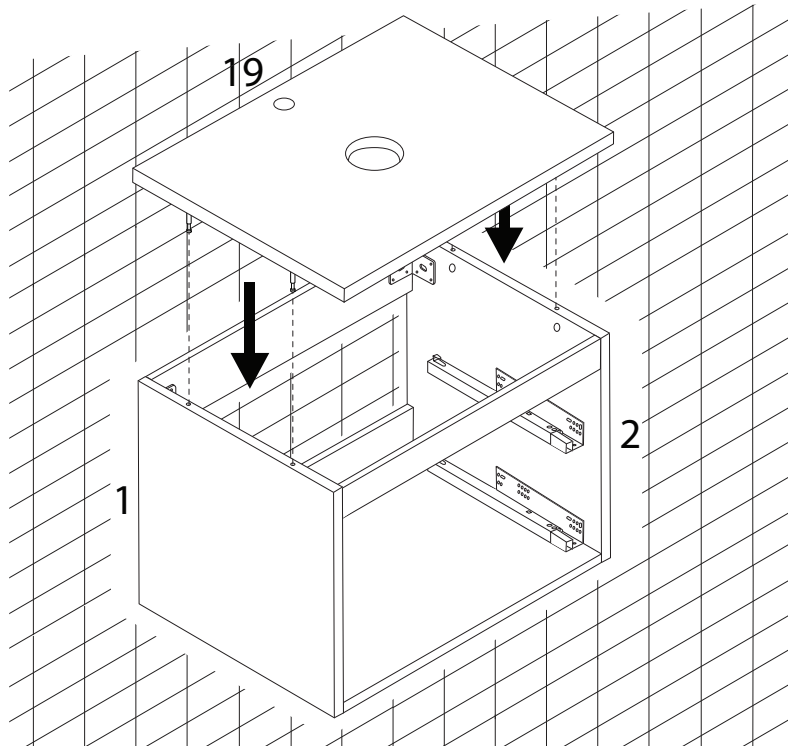
25



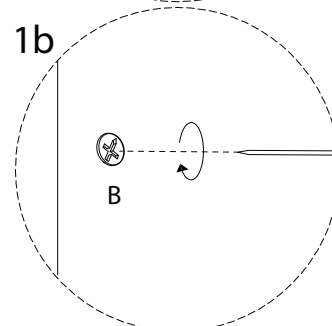
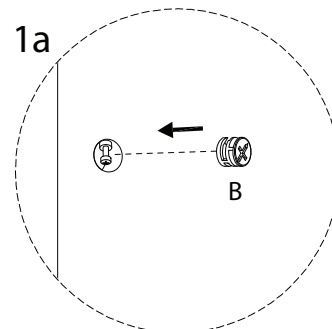
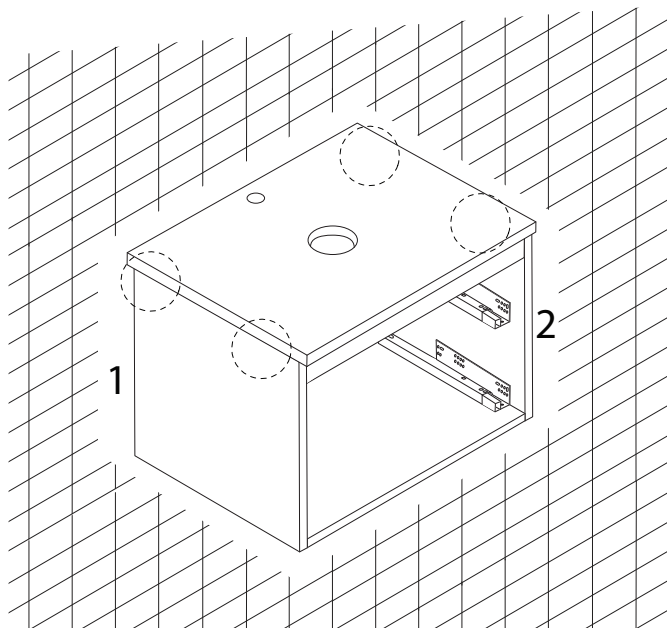
26



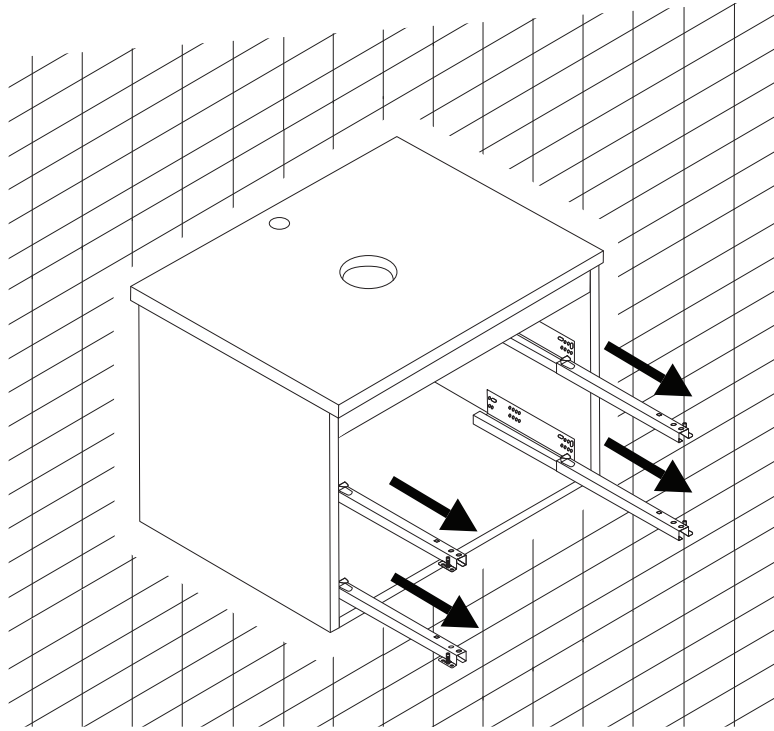
27



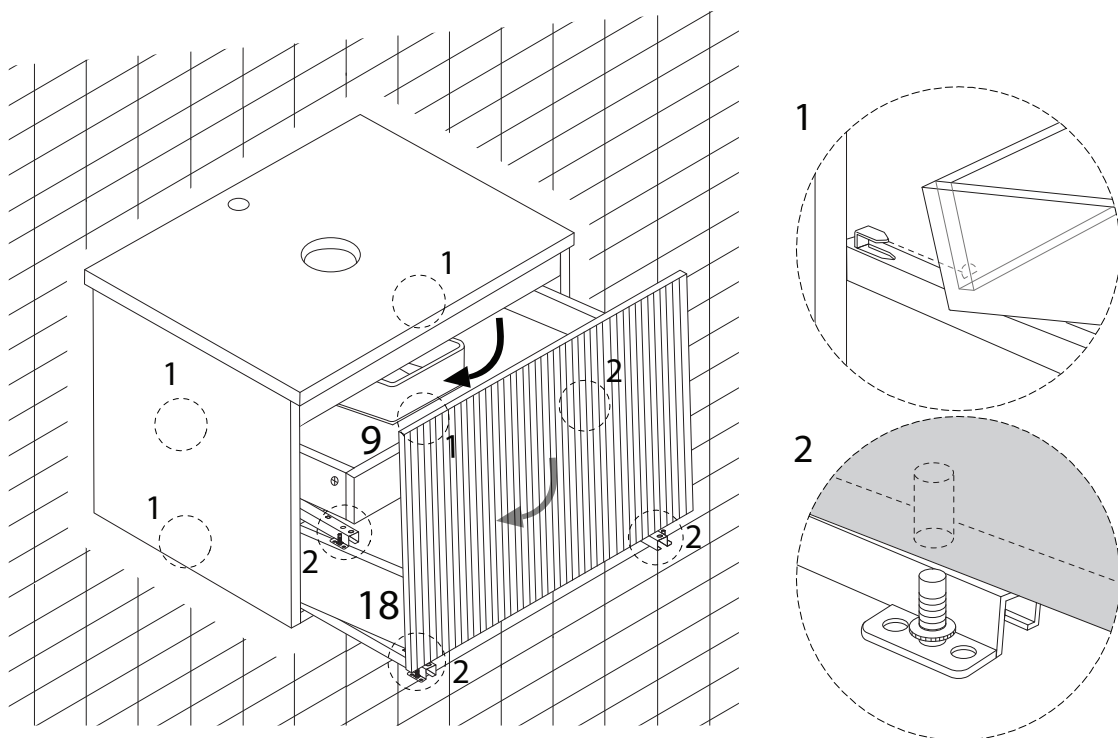
28



29



30



31

D

M3.5
x
14

x 8

