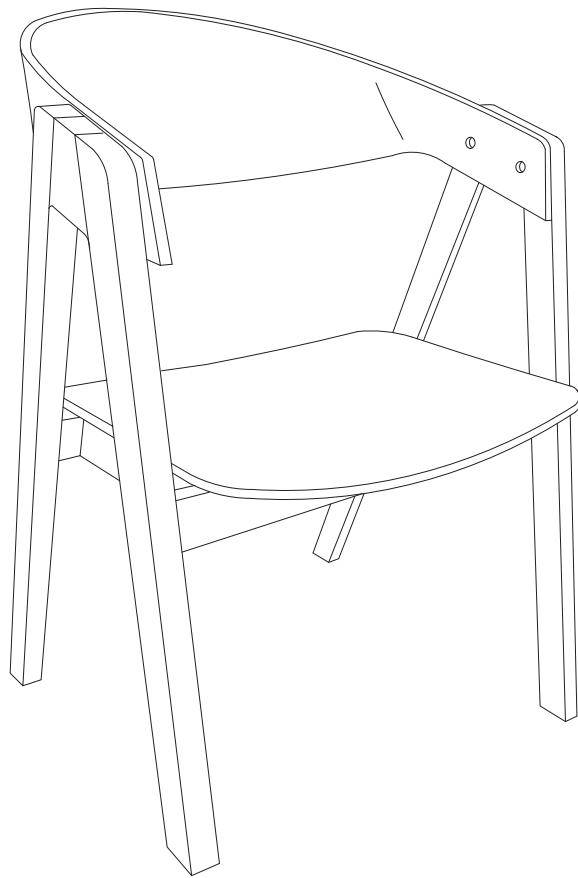
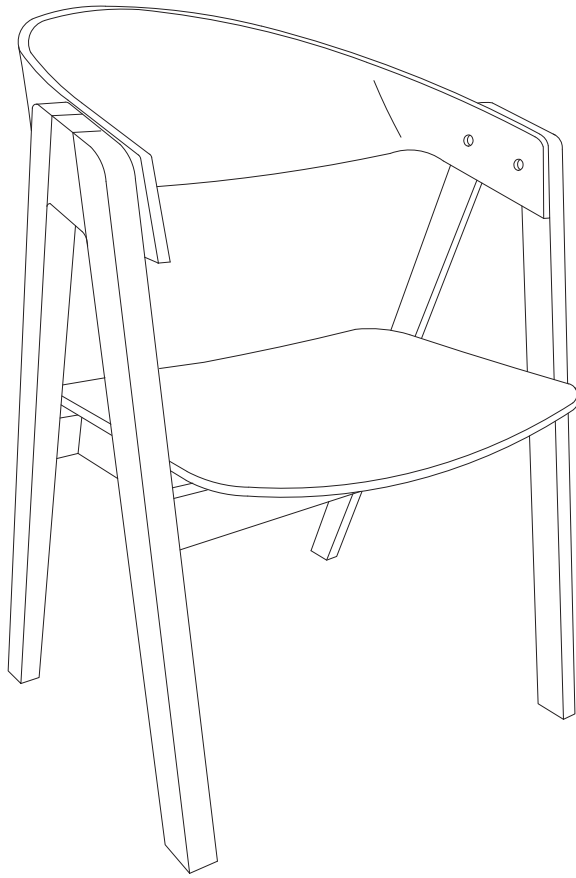


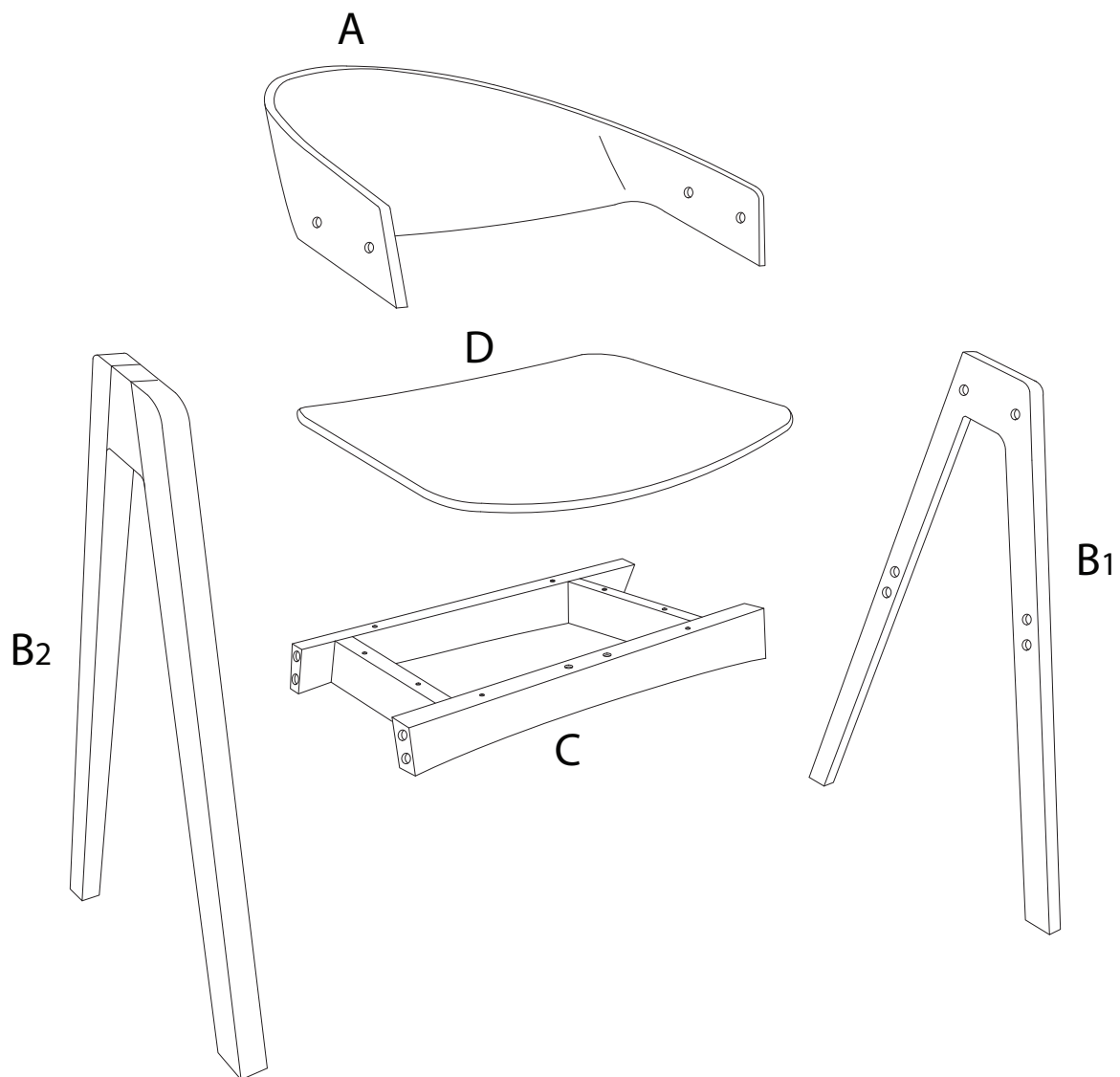
YUBA

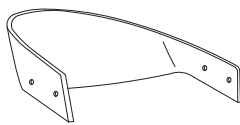
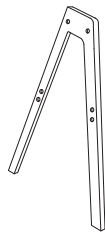
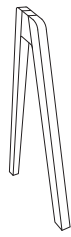
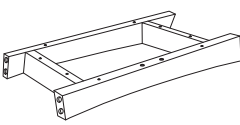





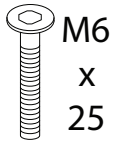
Assembly instructions for step 1/6:

- Tools:** A circle containing a screwdriver and an Allen key. A power drill is shown with a diagonal line through it, indicating it should not be used.
- Warning:** A triangle with an exclamation mark.
- Time:** A clock icon with the text "30'" below it, indicating a 30-minute assembly time.
- Personnel:** A stick figure icon with the number "2" below it, indicating that two people are required for assembly.



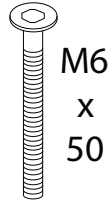
<p>A</p>  <p>x 1</p>	<p>B1</p>  <p>x 1</p>	<p>B2</p>  <p>x 1</p>	<p>C</p>  <p>x 1</p>	<p>D</p>  <p>x 1</p>
---	--	--	--	---

1



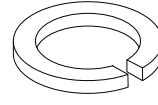
x 4

2



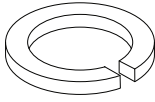
x 4

3



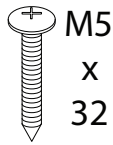
x 4

4



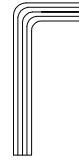
x 4

5



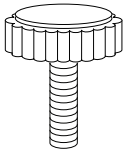
x 8

6



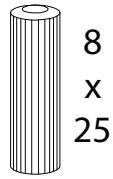
x 1

7



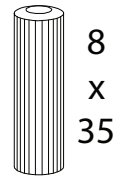
x 4

8



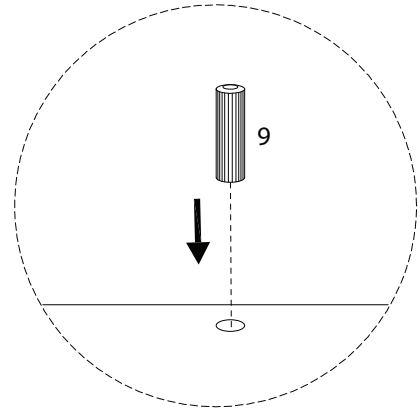
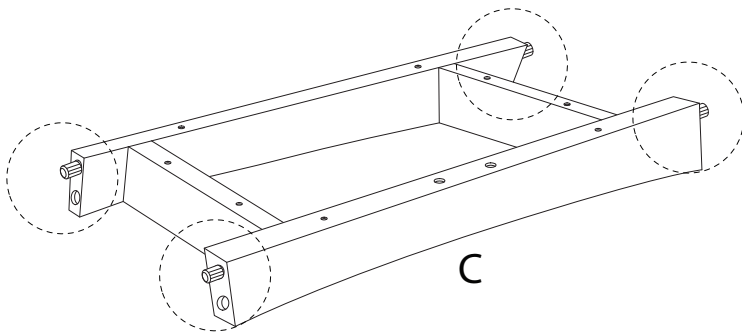
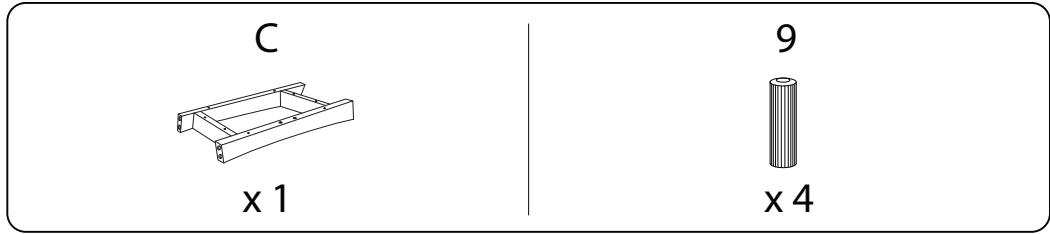
x 2

9

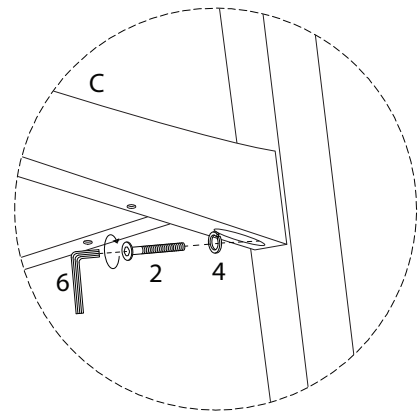
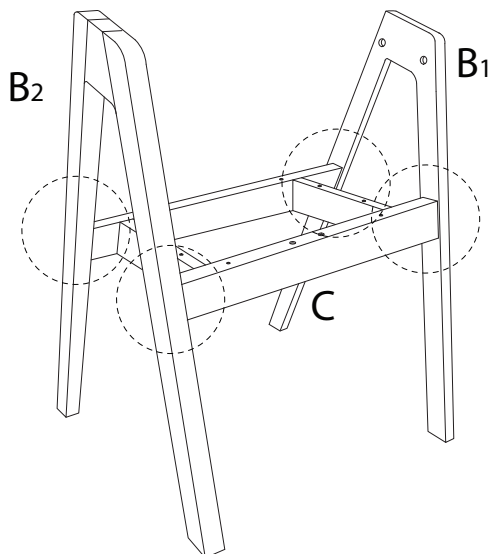
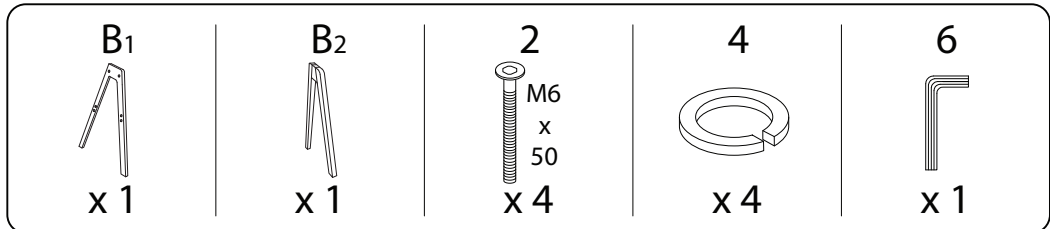


x 4

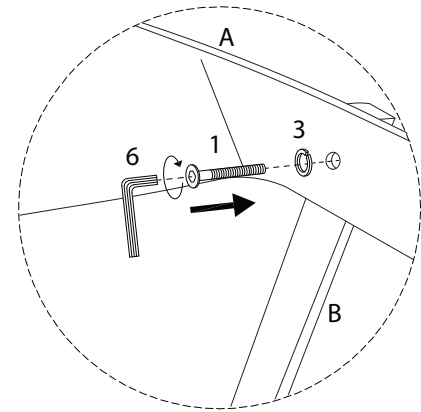
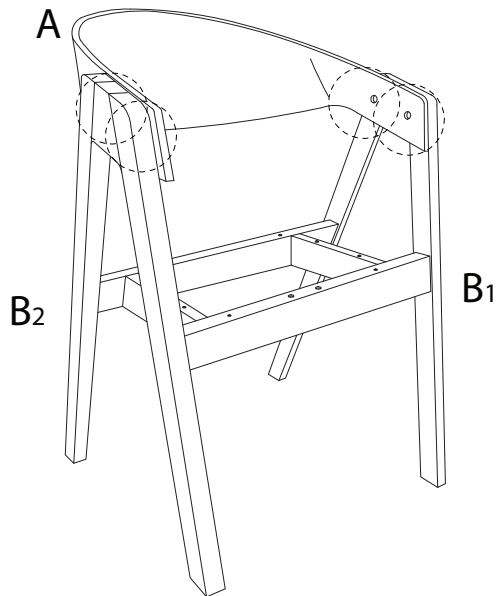
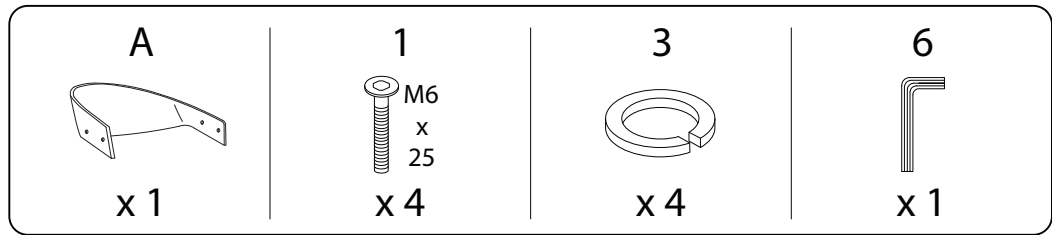
1



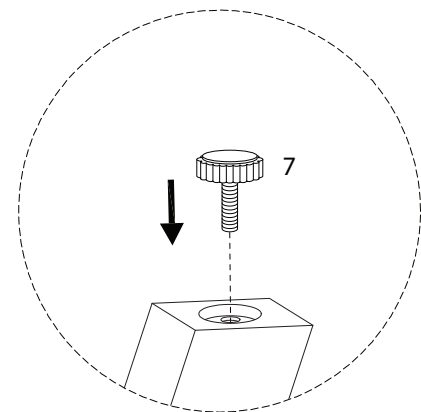
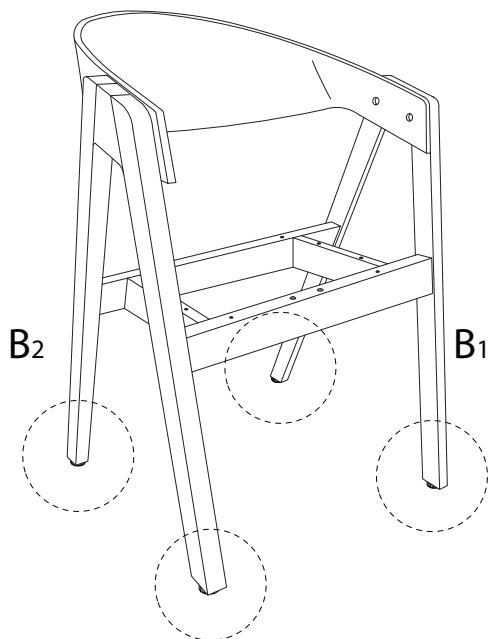
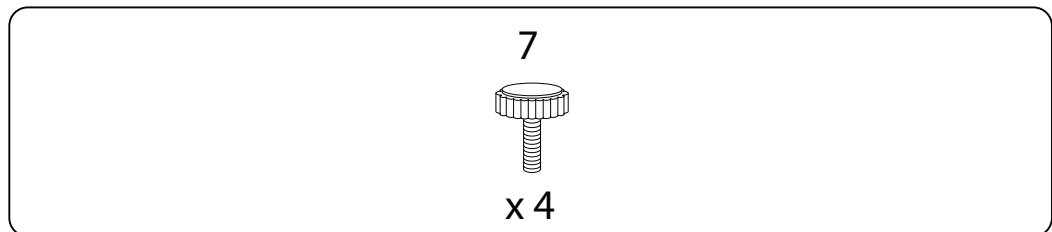
2



3



4

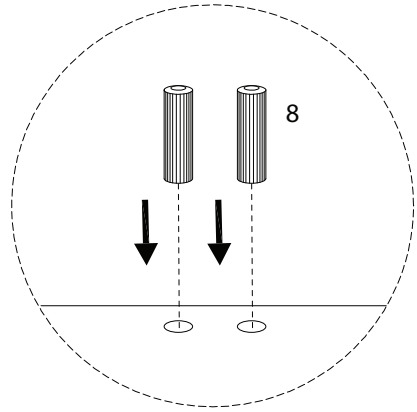
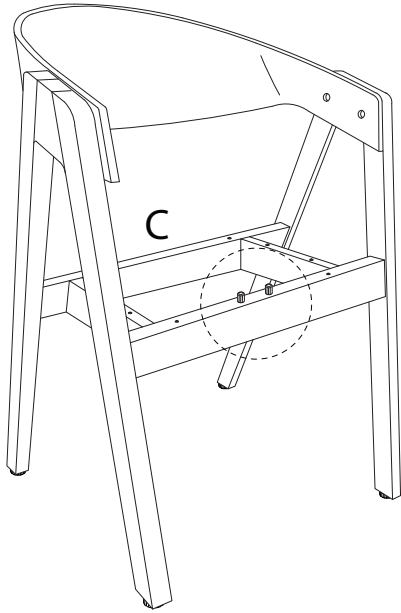


5

8



x 2



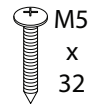
6

D



x 1

5



M5
x
32

x 8

