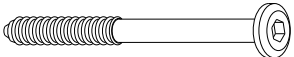
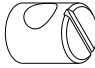

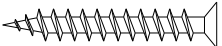

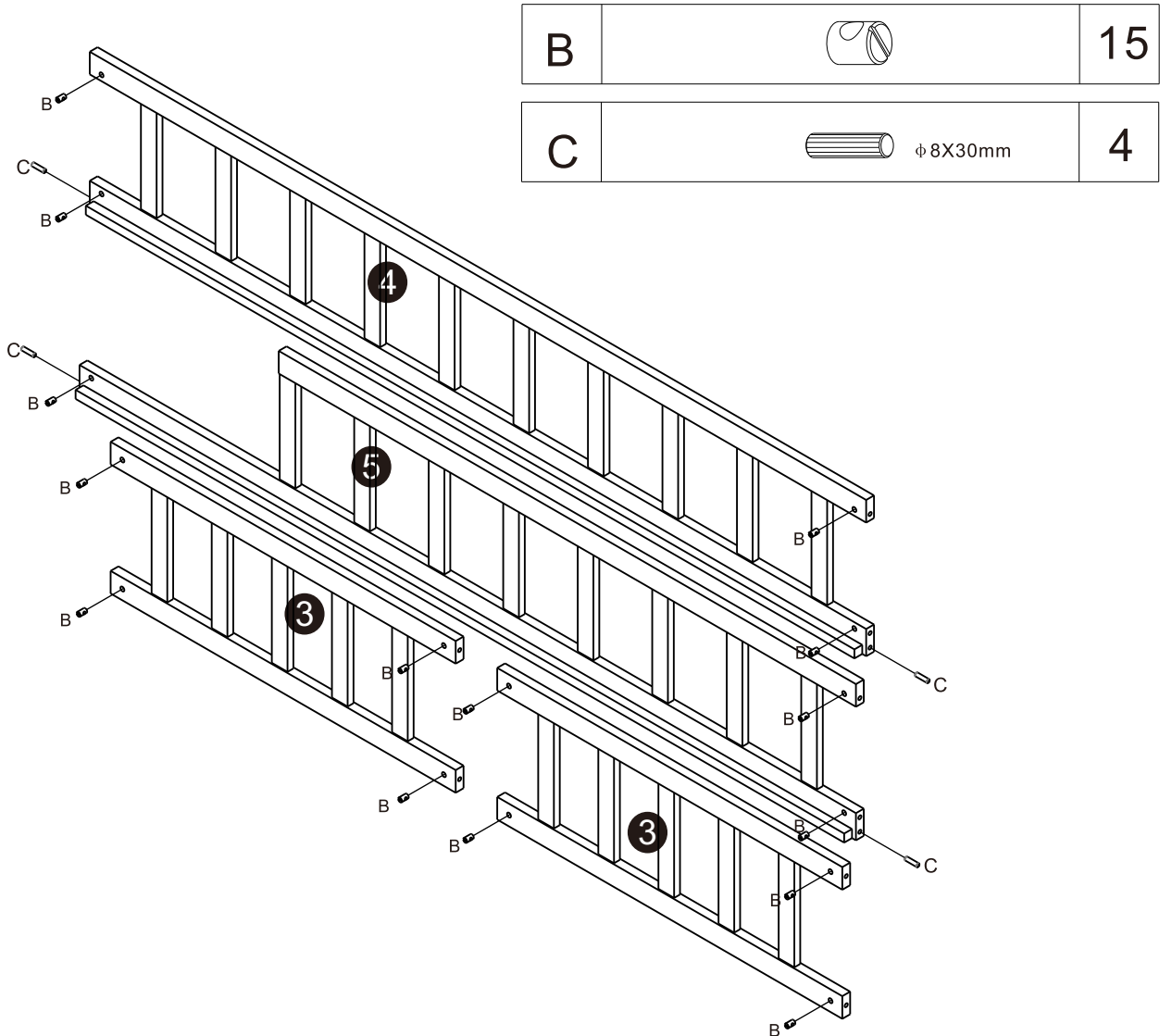
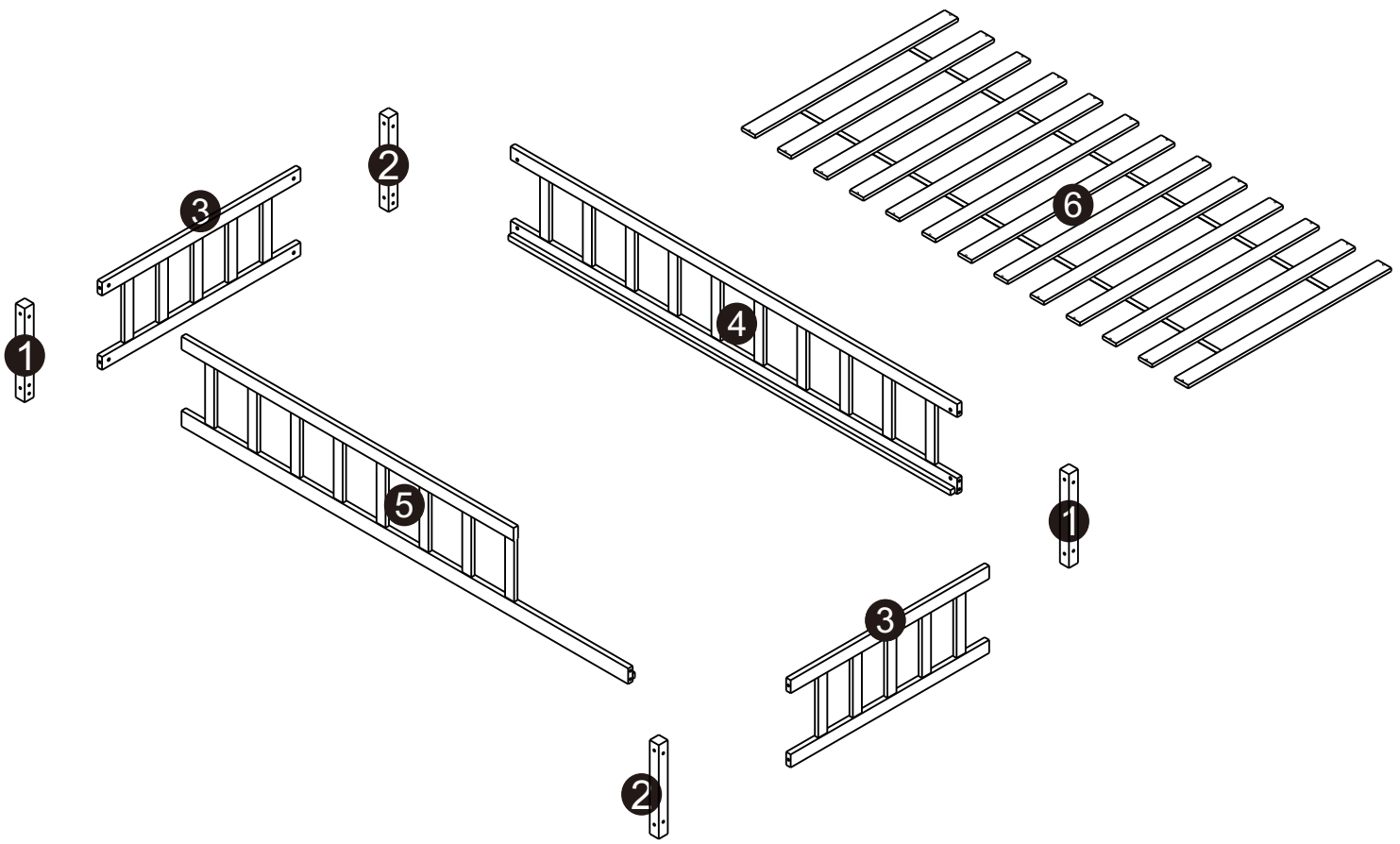
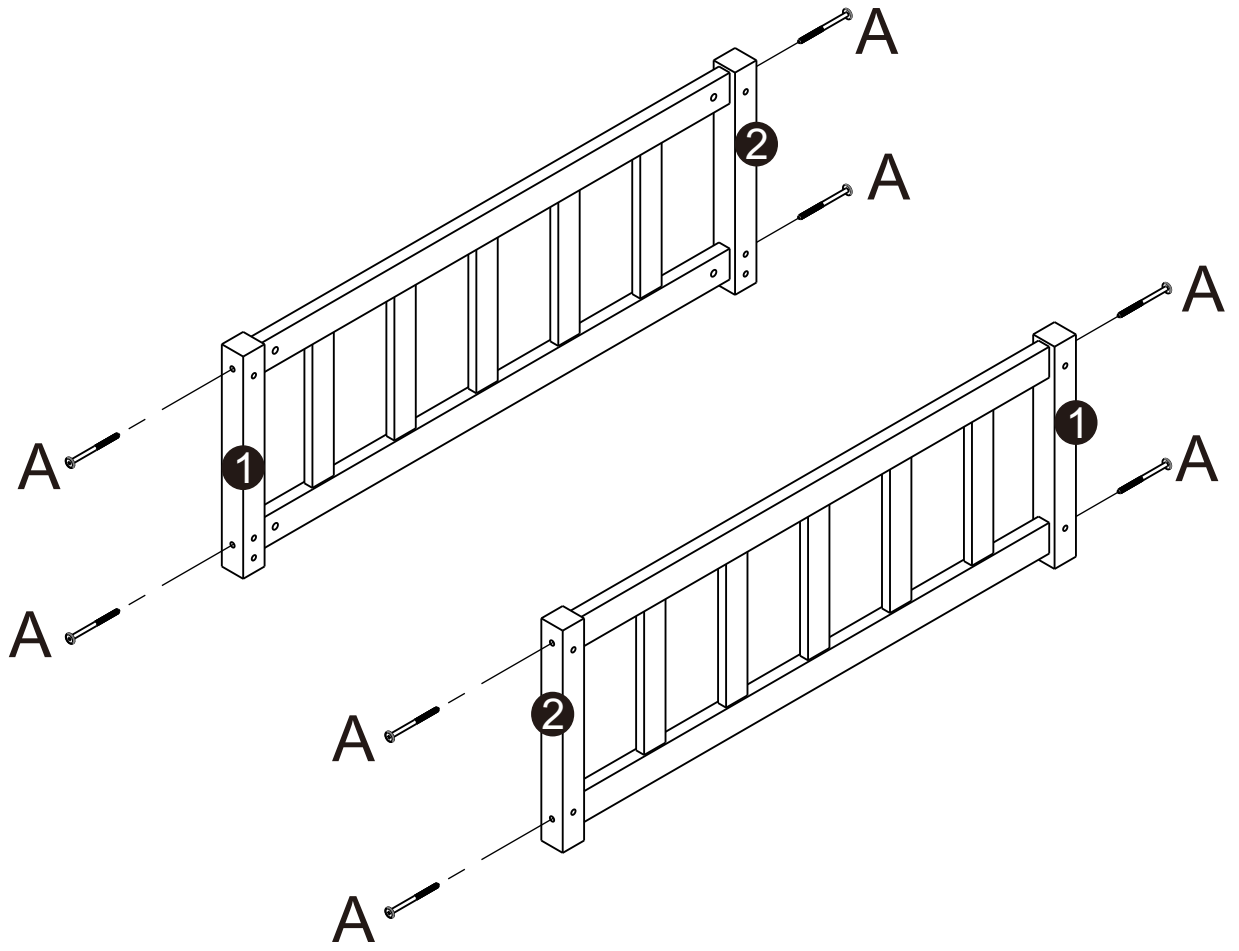
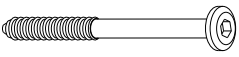
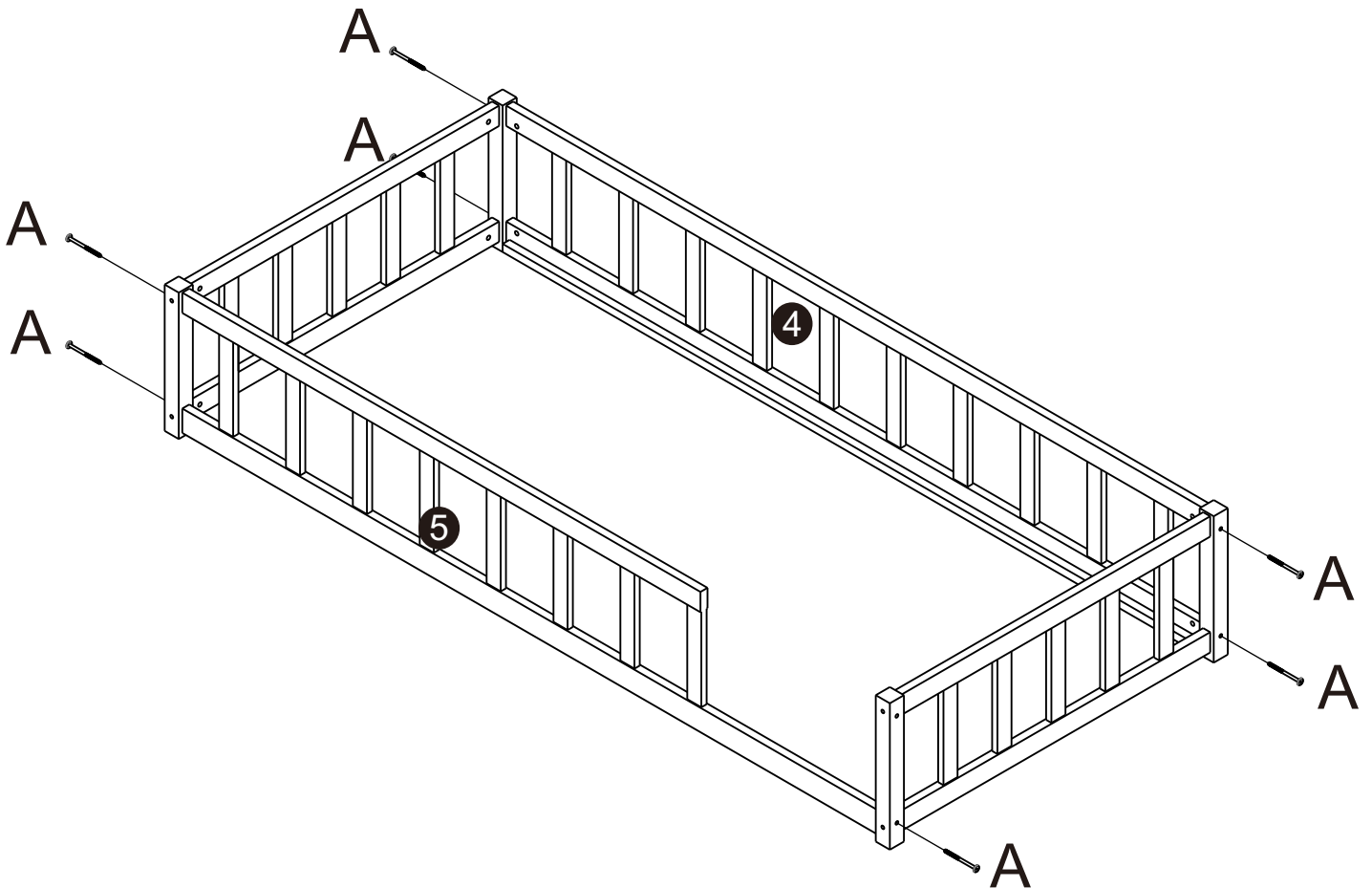


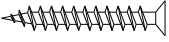
A	 M6X80mm	15
B		15
C	 ϕ 8X30mm	4
D	 ϕ 4X30mm	26
E		1





A	 M6X80mm	15
---	--	----



D	 $\phi 4 \times 30 \text{mm}$	26
---	--	----

