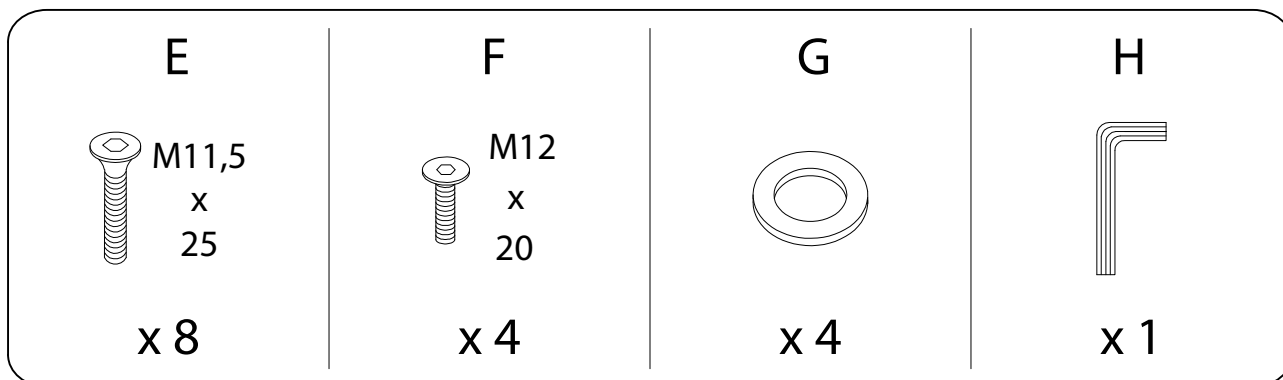
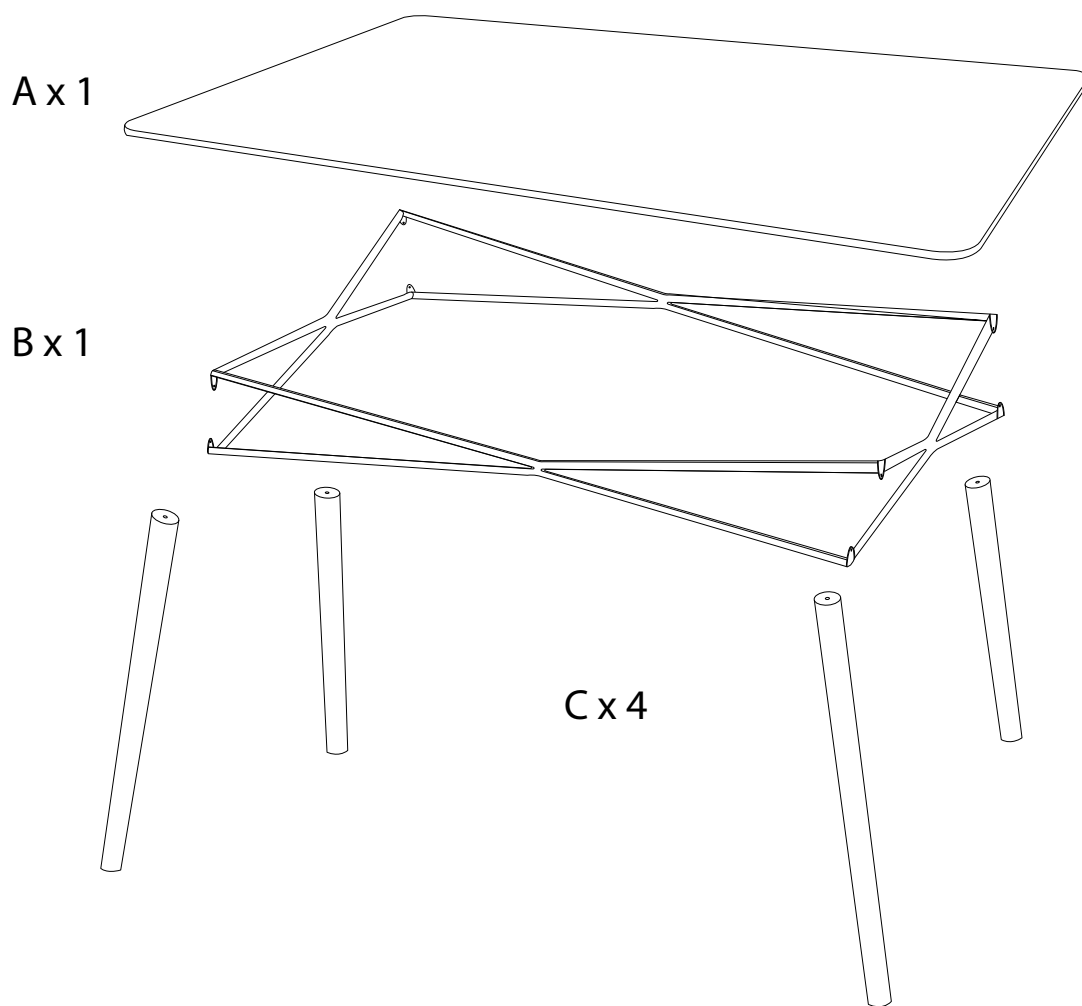
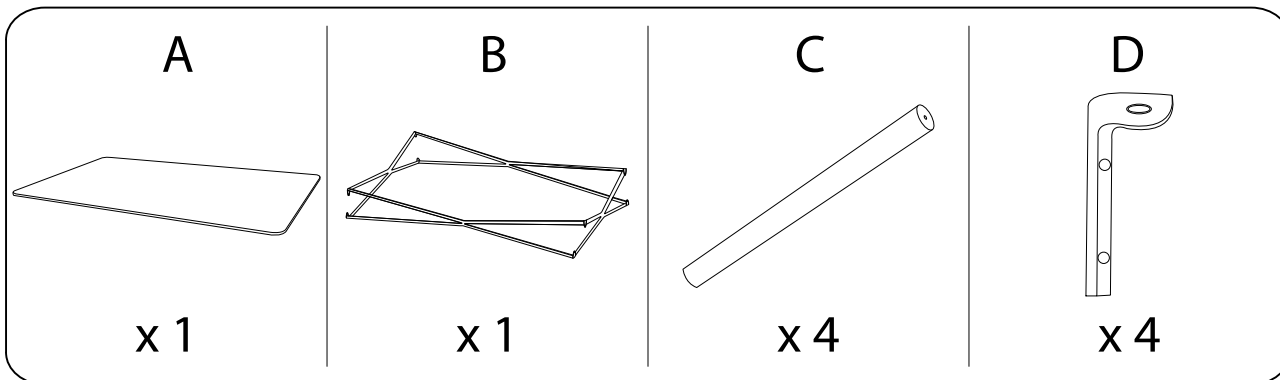
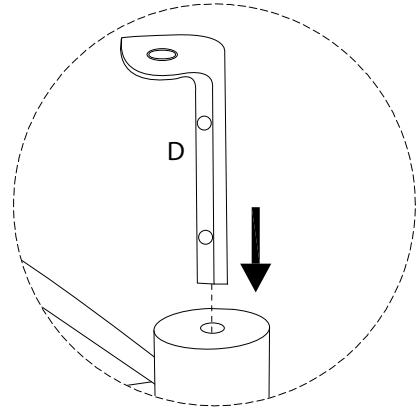
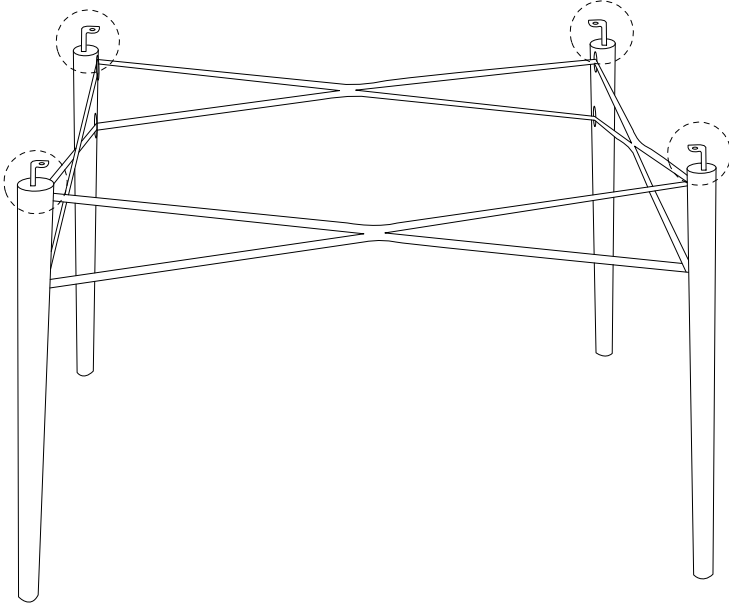
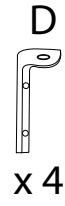


Diagram illustrating assembly instructions and safety warnings:

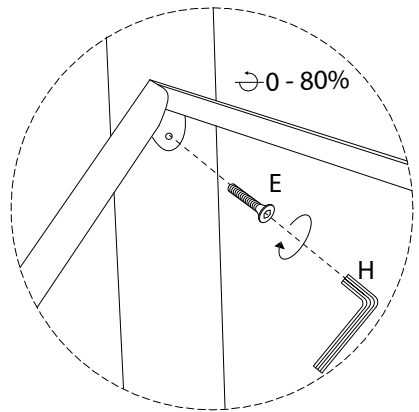
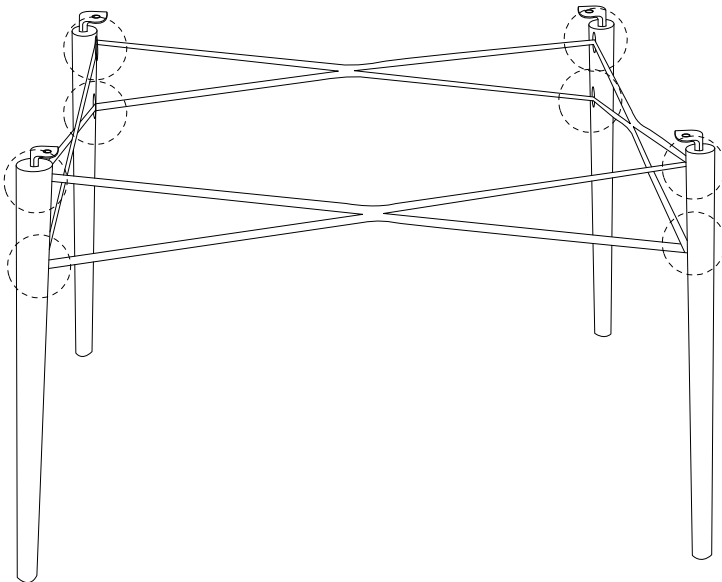
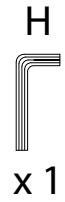
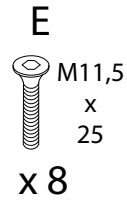
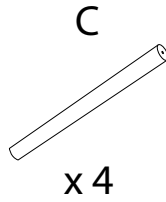
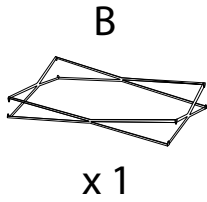
- Warning 1:** A warning triangle with an exclamation mark is shown next to a box containing an L-shaped bracket and a crossed-out power drill, indicating that a power drill should not be used for this step.
- Warning 2:** A second warning triangle with an exclamation mark is shown next to a box containing a rectangular block on a textured surface and a crossed-out block with a screw, indicating that a screw should not be used to secure the block.
- Time:** A clock icon is shown with the text "30'" below it, indicating a 30-minute assembly time.
- Person:** An icon of a person is shown with the number "1" below it, indicating that one person is required for assembly.



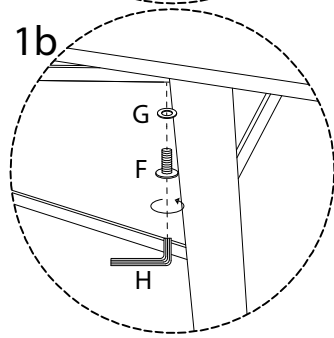
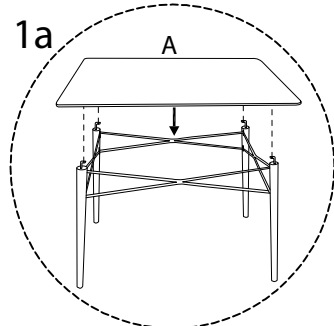
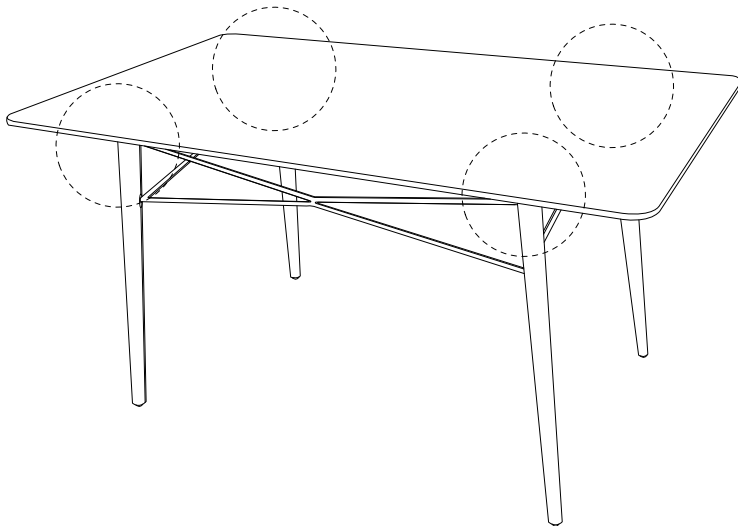
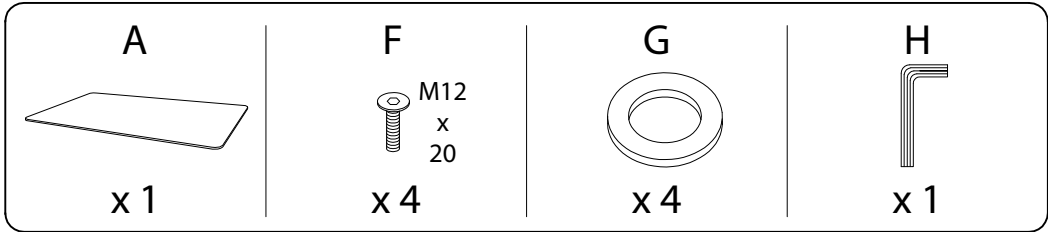
1



2



3



4

