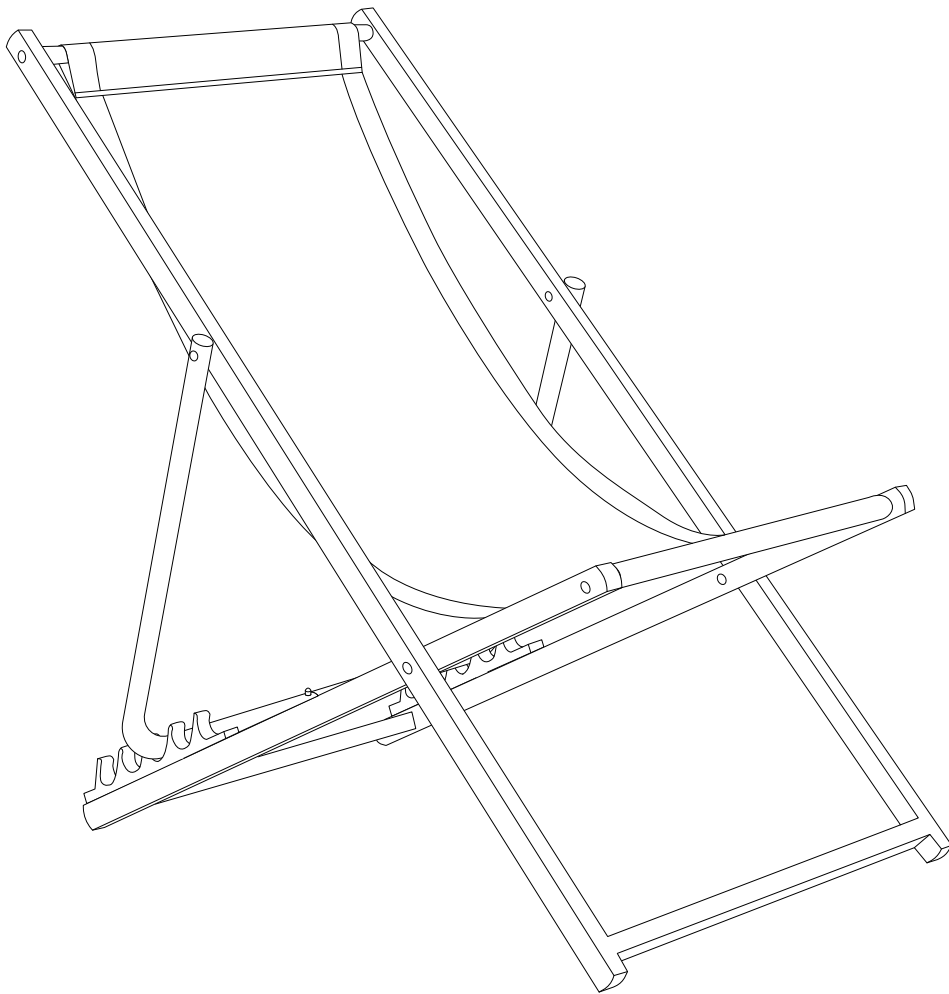
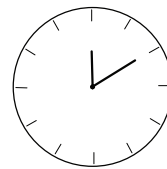
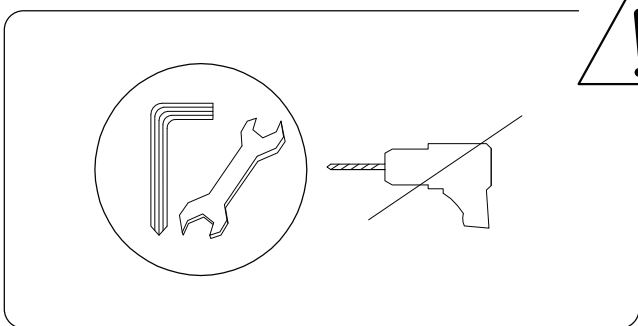
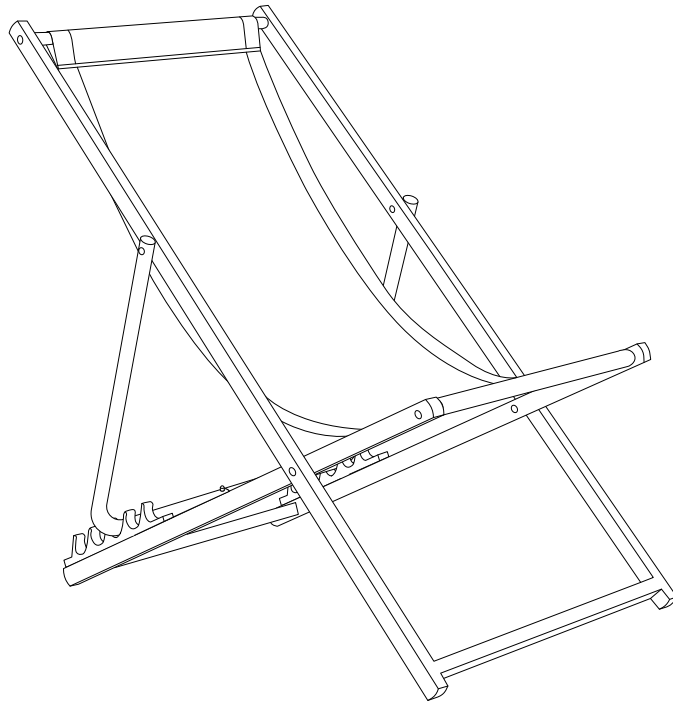
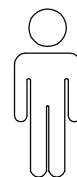
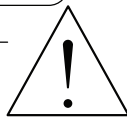
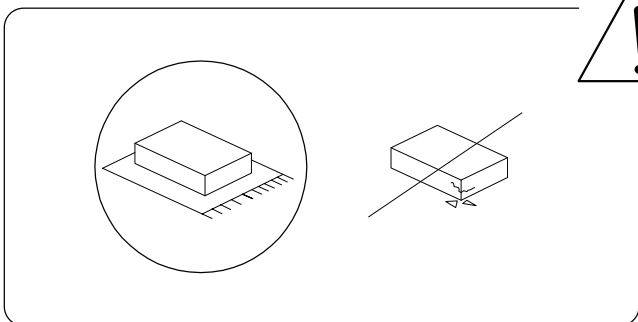


# LOCRI II

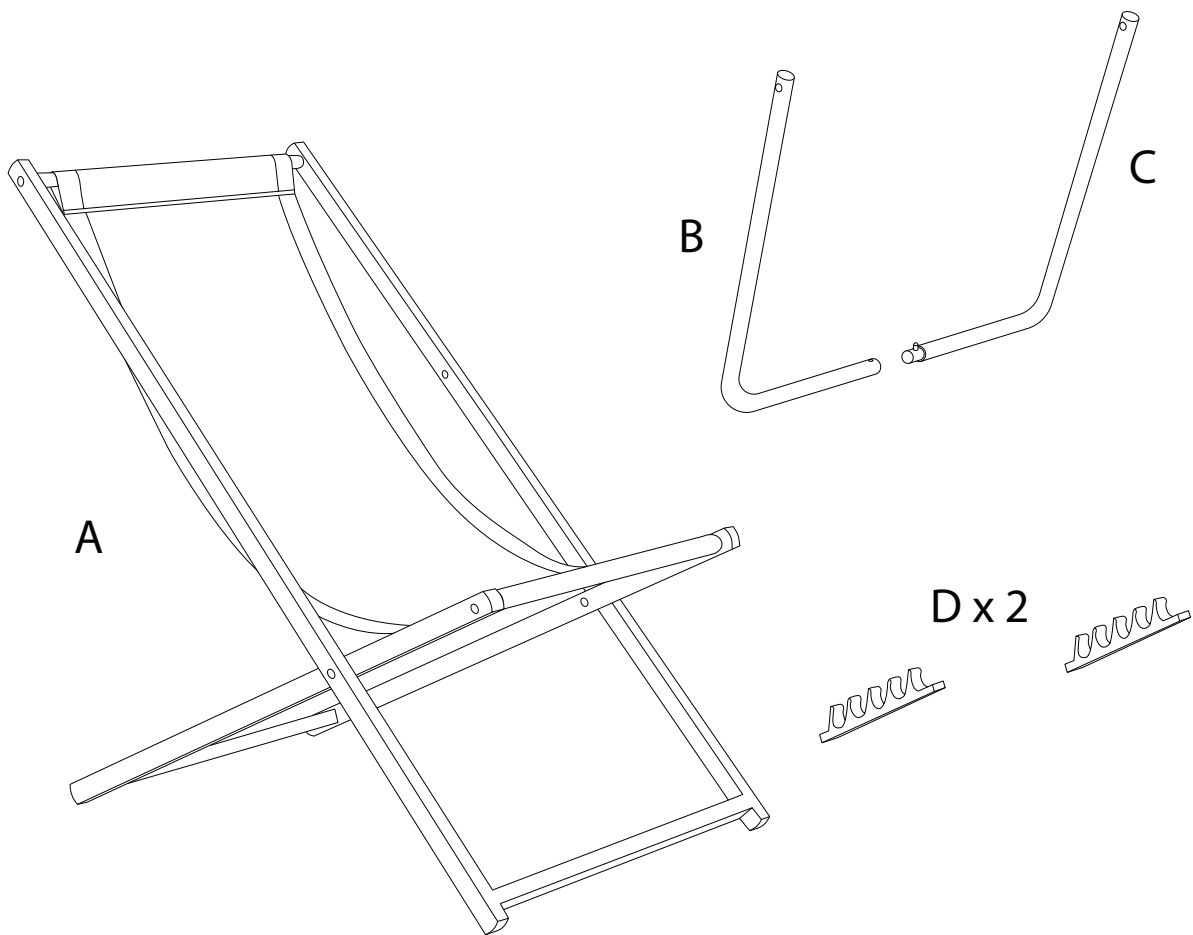


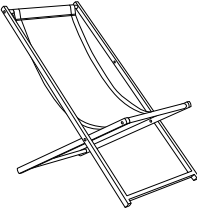

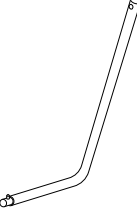
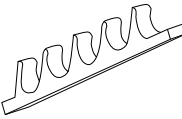


10'

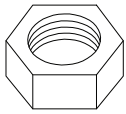


1



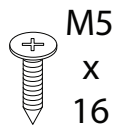
<p><b>A</b></p> 	<p><b>B</b></p> 	<p><b>C</b></p> 	<p><b>D</b></p> 
<p>x 1</p>	<p>x 1</p>	<p>x 1</p>	<p>x 2</p>

E



x 4

F



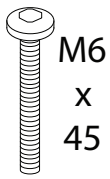
x 2

G



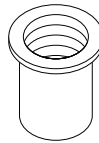
x 2

H



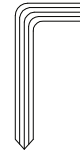
x 6

I



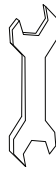
x 2

J




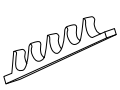
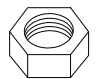

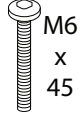

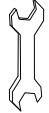
x 1

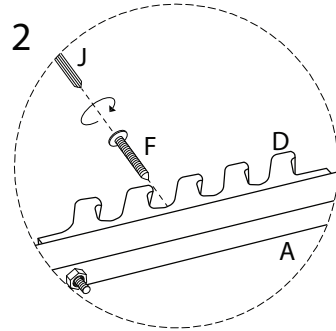
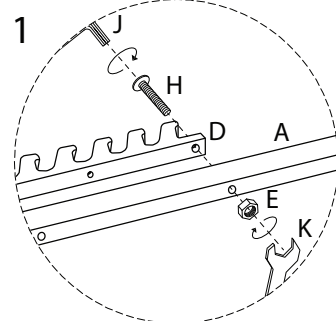
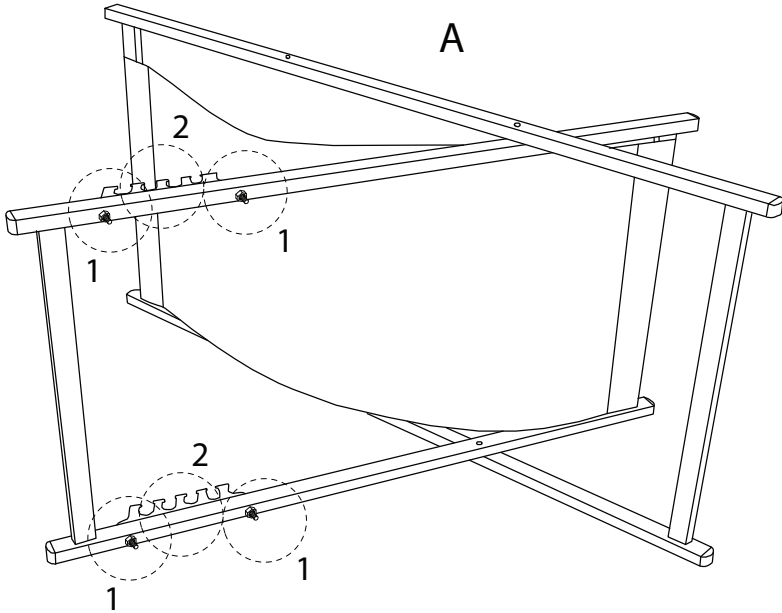
K





x 1

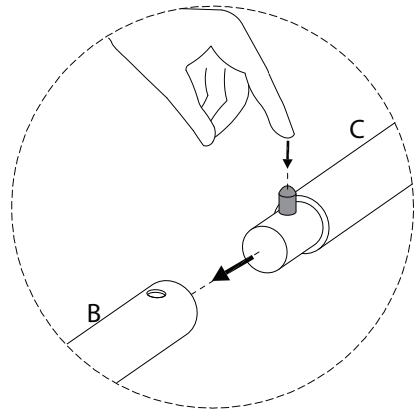
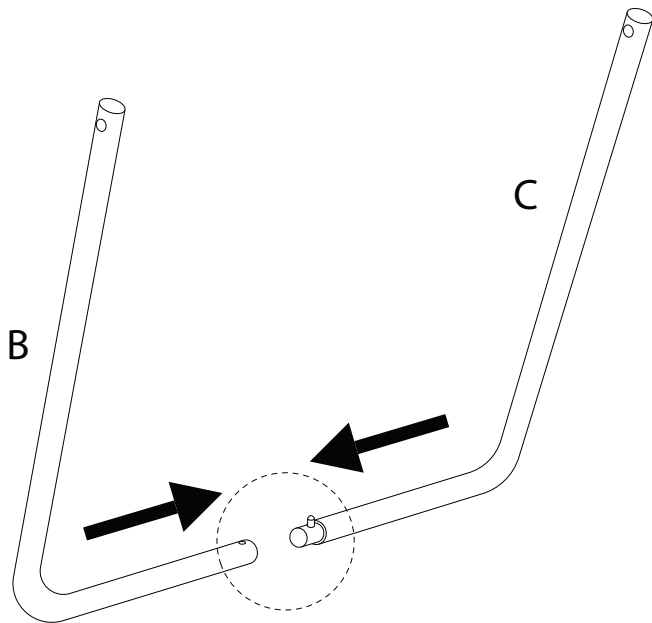
1

 A x 1	 D x 2	 E x 4	 F M5 x 16 x 2	 H M6 x 45 x 4	 J x 1	 K x 1
---	---	---	--	--	---	---



2

 B x 1	 C x 1
---	---



3

G



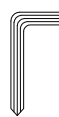
x 2

I



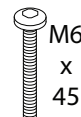
x 2

J



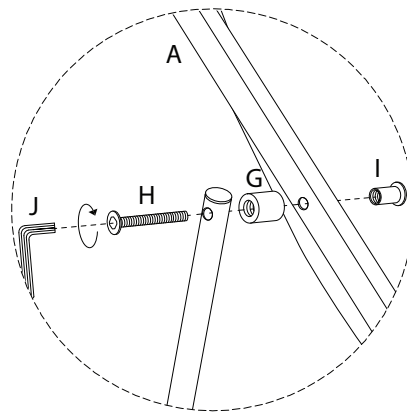
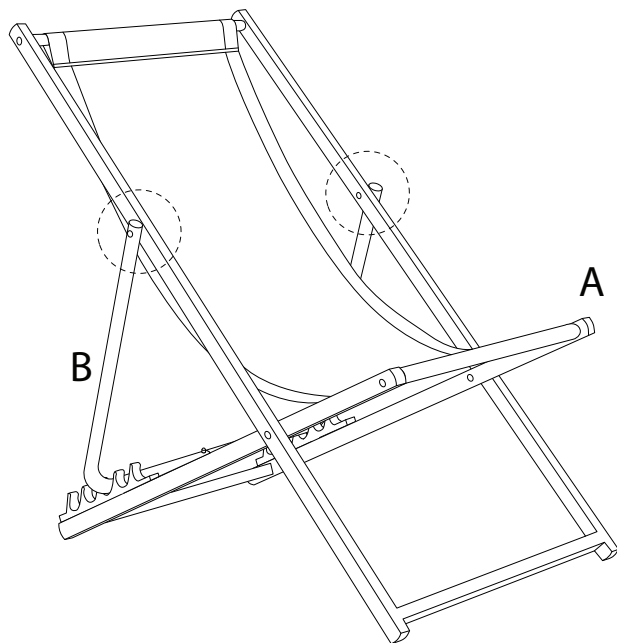
x 1

H



M6  
x  
45

x 2



4

