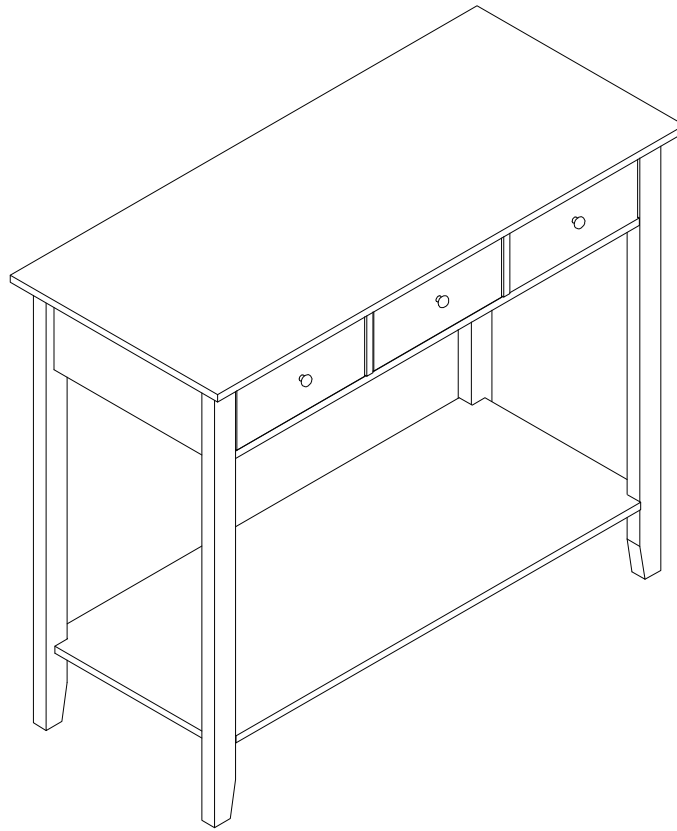


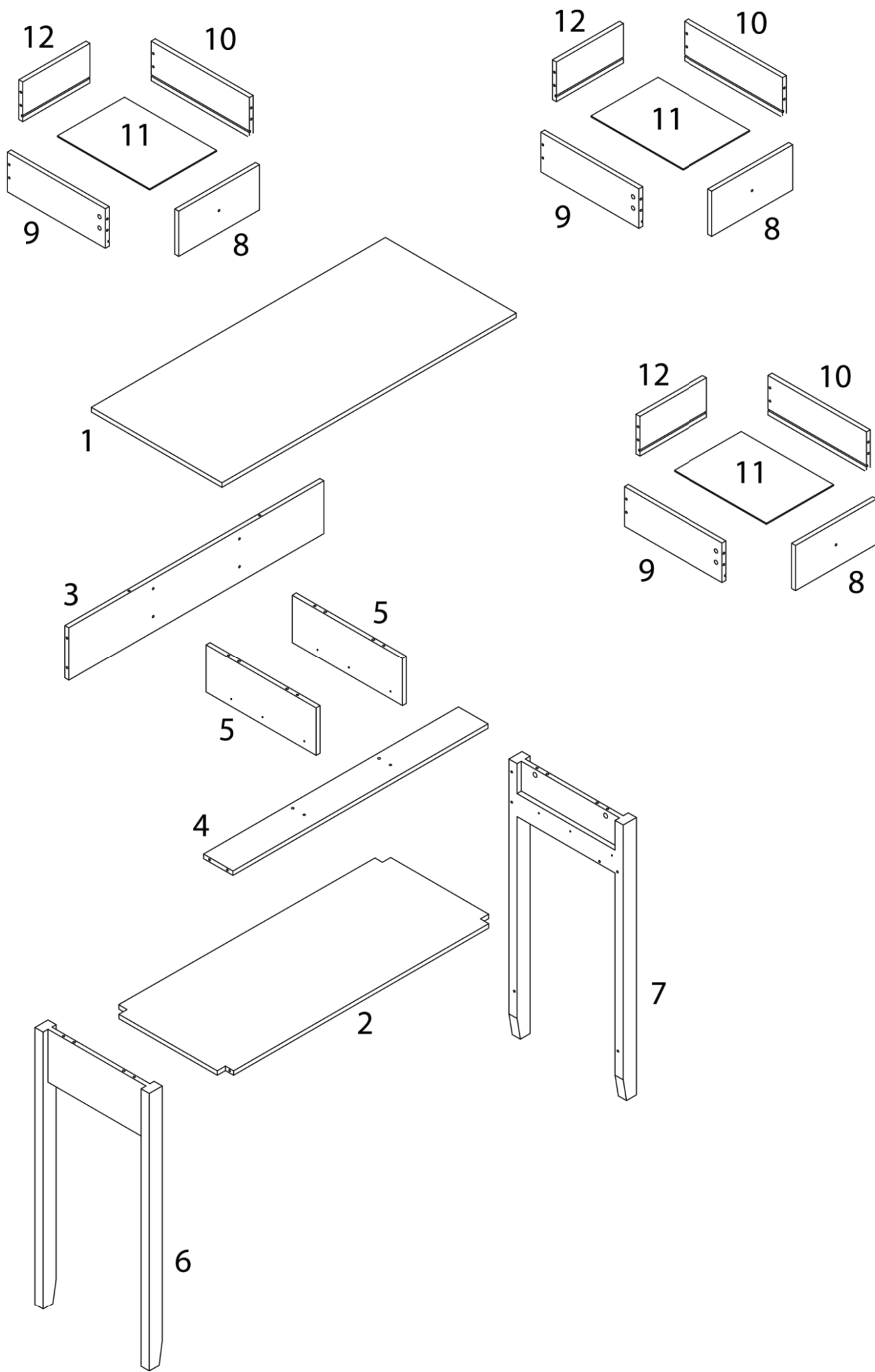
GALVA

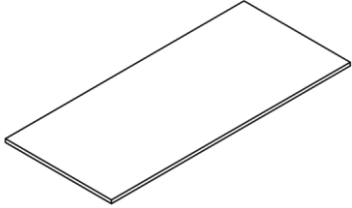
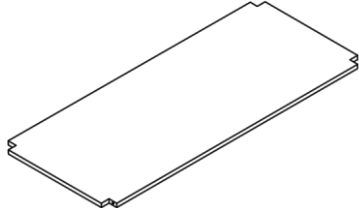
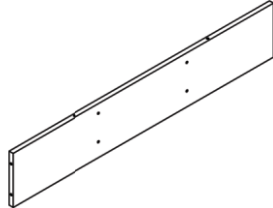
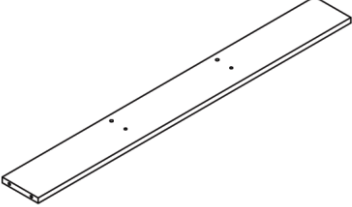
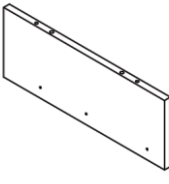
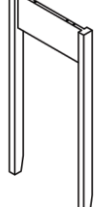
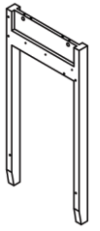
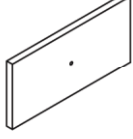
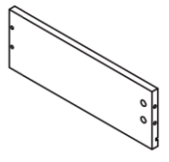
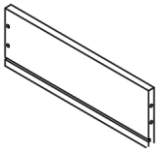
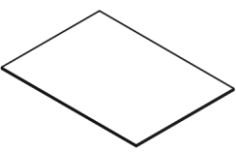
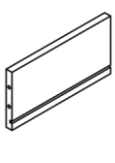






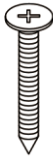

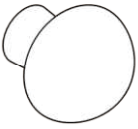


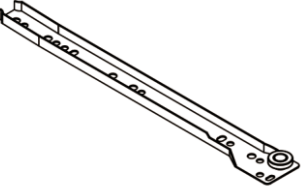
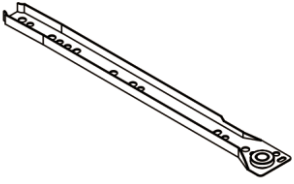
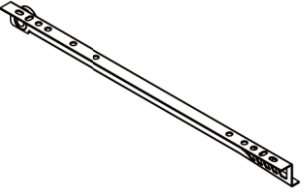
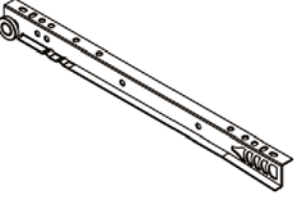
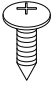
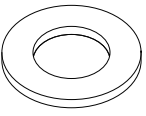
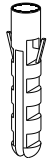



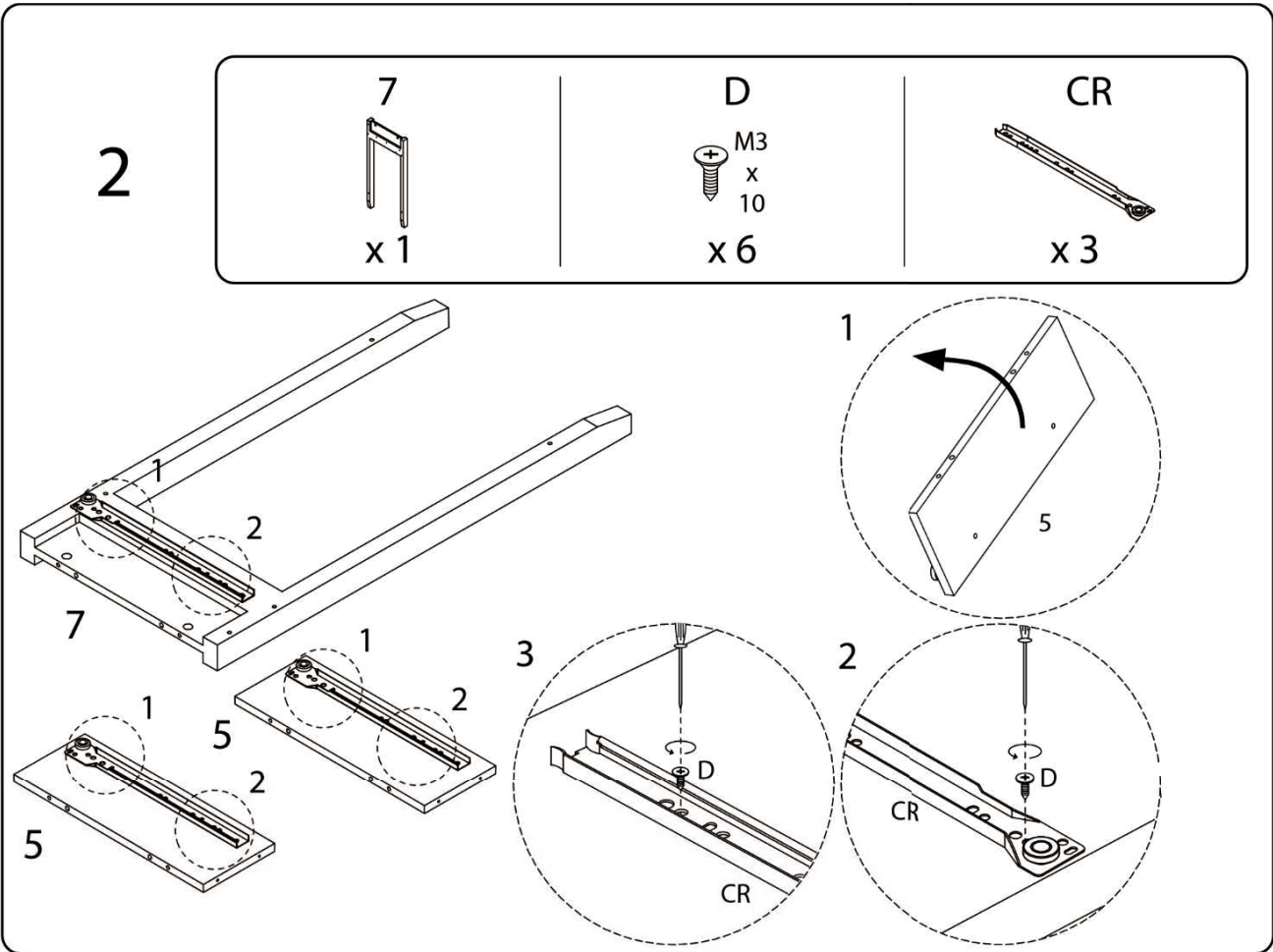
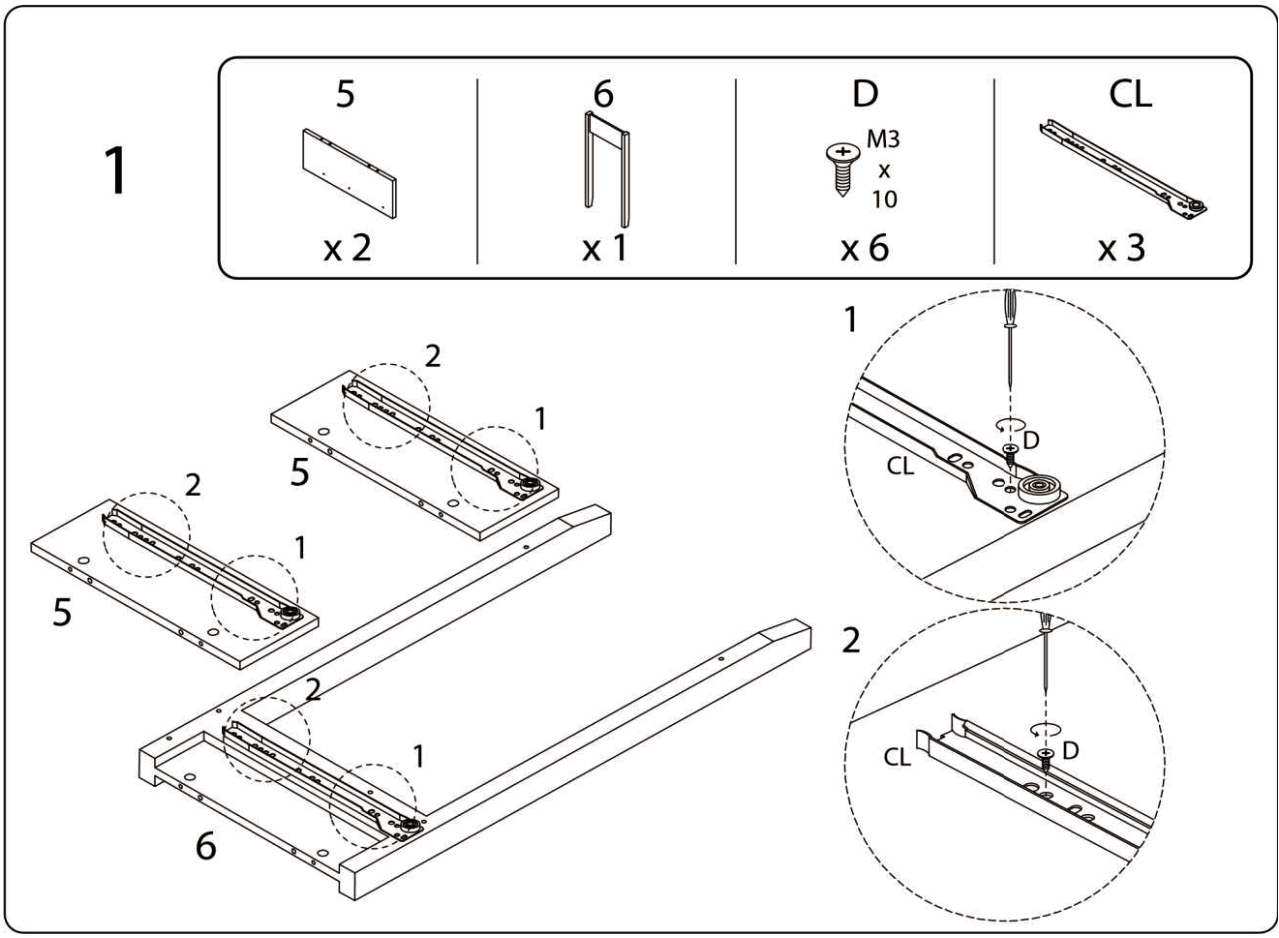
Assembly instructions and safety warnings:

- Tools:** A circular icon shows a screwdriver. A power drill icon is crossed out with a diagonal line, indicating it should not be used.
- Warning:** A triangle with an exclamation mark points to the tool instructions.
- Time:** A clock icon is shown above the text "60'", indicating the estimated assembly time.
- Personnel:** A person icon is shown above the number "2", indicating that two people are required for assembly.
- Material:** A circular icon shows a rectangular block being placed on a surface with a textured pattern. A second block is shown being placed on top of the first, with a diagonal line through it, indicating that the blocks should not be placed on top of each other.
- Warning:** A triangle with an exclamation mark points to the material instructions.



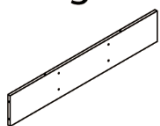
| | | |
|--|--|--|
| <p>1</p>  <p>x 1</p> | <p>2</p>  <p>x 1</p> | <p>3</p>  <p>x 1</p> |
| <p>4</p>  <p>x 1</p> | <p>5</p>  <p>x 2</p> | <p>6</p>  <p>x 1</p> |
| <p>7</p>  <p>x 1</p> | <p>8</p>  <p>x 3</p> | <p>9</p>  <p>x 3</p> |
| <p>10</p>  <p>x 3</p> | <p>11</p>  <p>x 3</p> | <p>12</p>  <p>x 3</p> |

| | | |
|---|--|---|
| <p>A</p>  <p>x 30</p> | <p>B</p>  <p>x 30</p> | <p>C</p>  <p>x 10</p> |
| <p>D</p>  <p>M3 x 10</p> <p>x 30</p> | <p>E</p>  <p>M4 x 35</p> <p>x 20</p> | <p>F</p>  <p>M4 x 16</p> <p>x 3</p> |
| <p>G</p>  <p>x 3</p> | <p>H</p>  <p>x 4</p> | <p>I</p>  <p>M4 x 12</p> <p>x 8</p> |
| <p>CL</p>  <p>x 3</p> | <p>CR</p>  <p>x 3</p> | <p>DL</p>  <p>x 3</p> |
| <p>DR</p>  <p>x 3</p> | <p>J</p>  <p>M4 x 12</p> <p>x 2</p> <p>L</p>  <p>x 4</p> | <p>K</p>  <p>x 2</p> <p>M</p>  <p>x 2</p> |



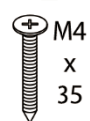
3

3

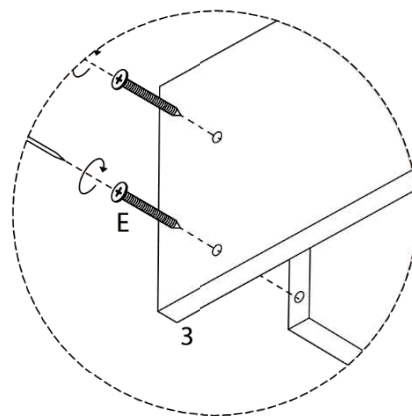
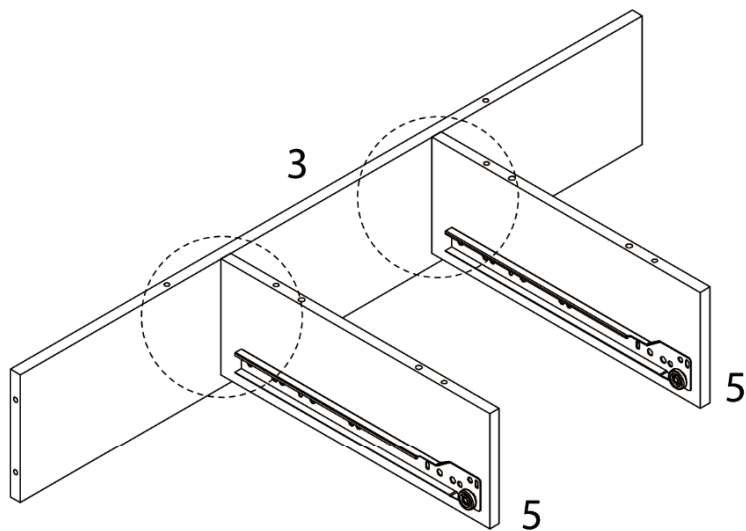


x 1

E

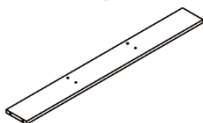


x 4



4

4

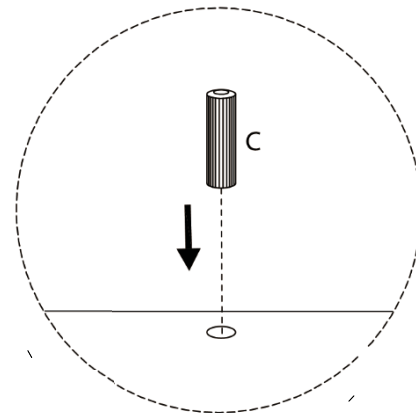
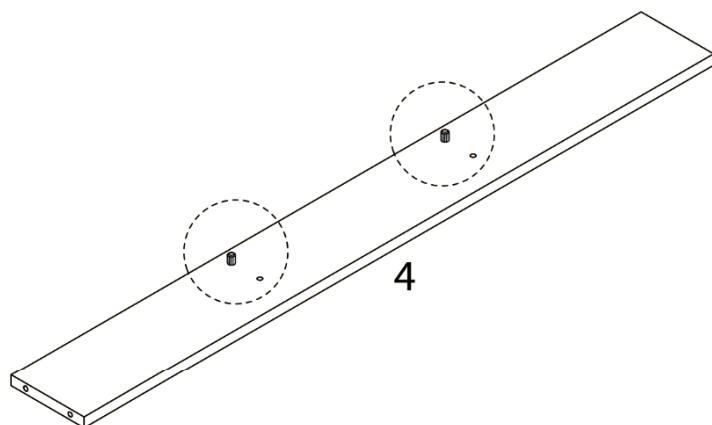


x 1

C

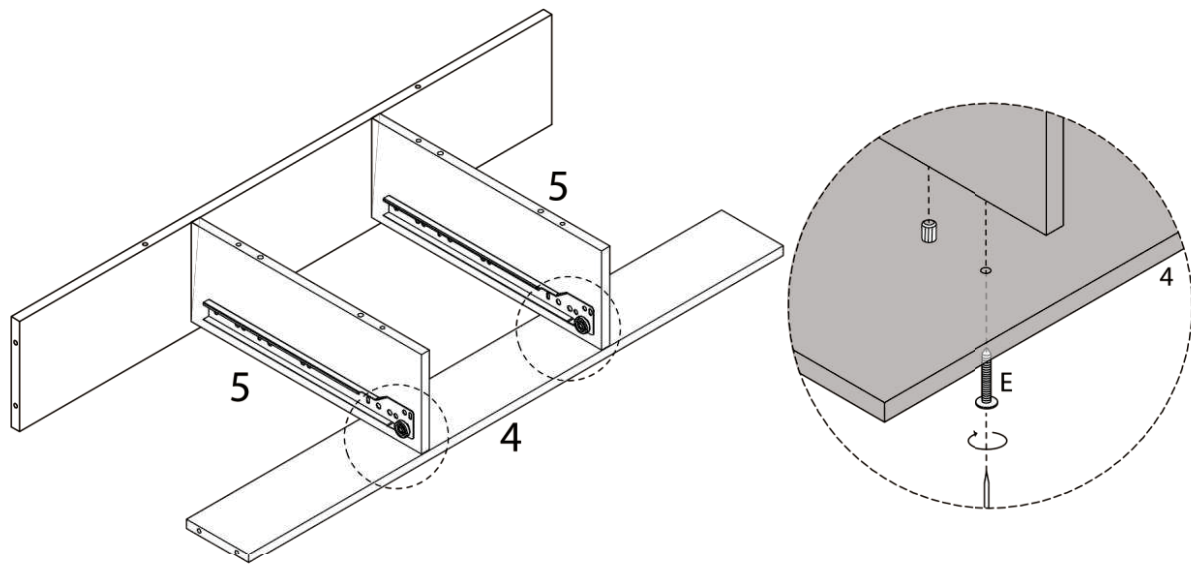


x 2



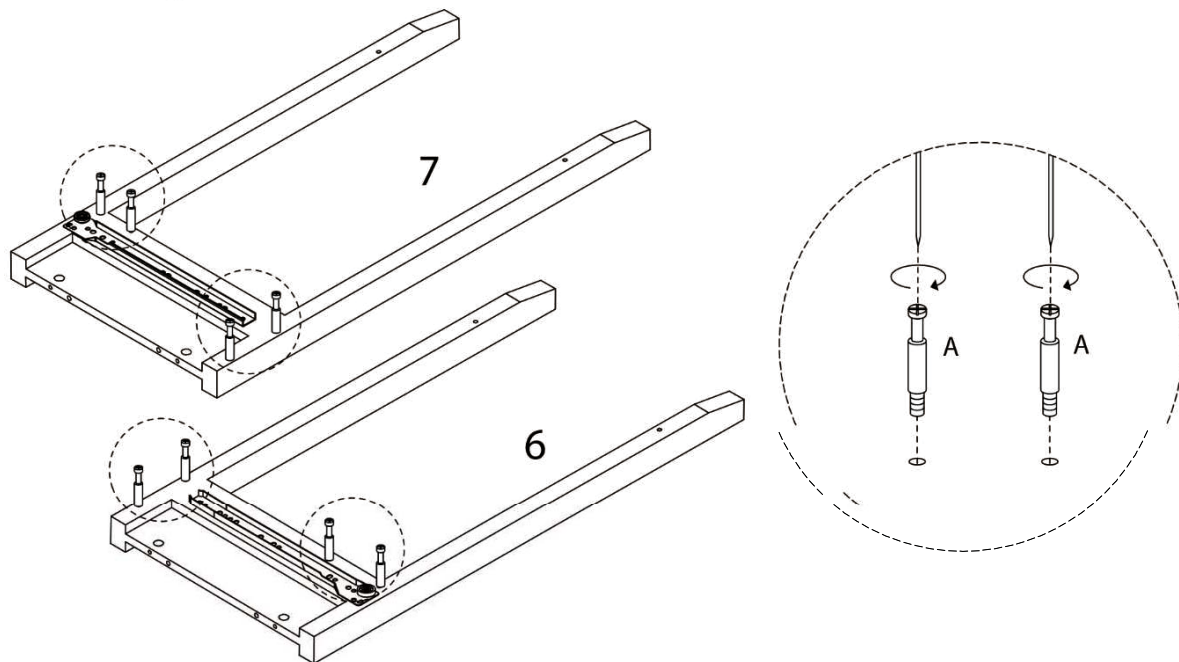
5

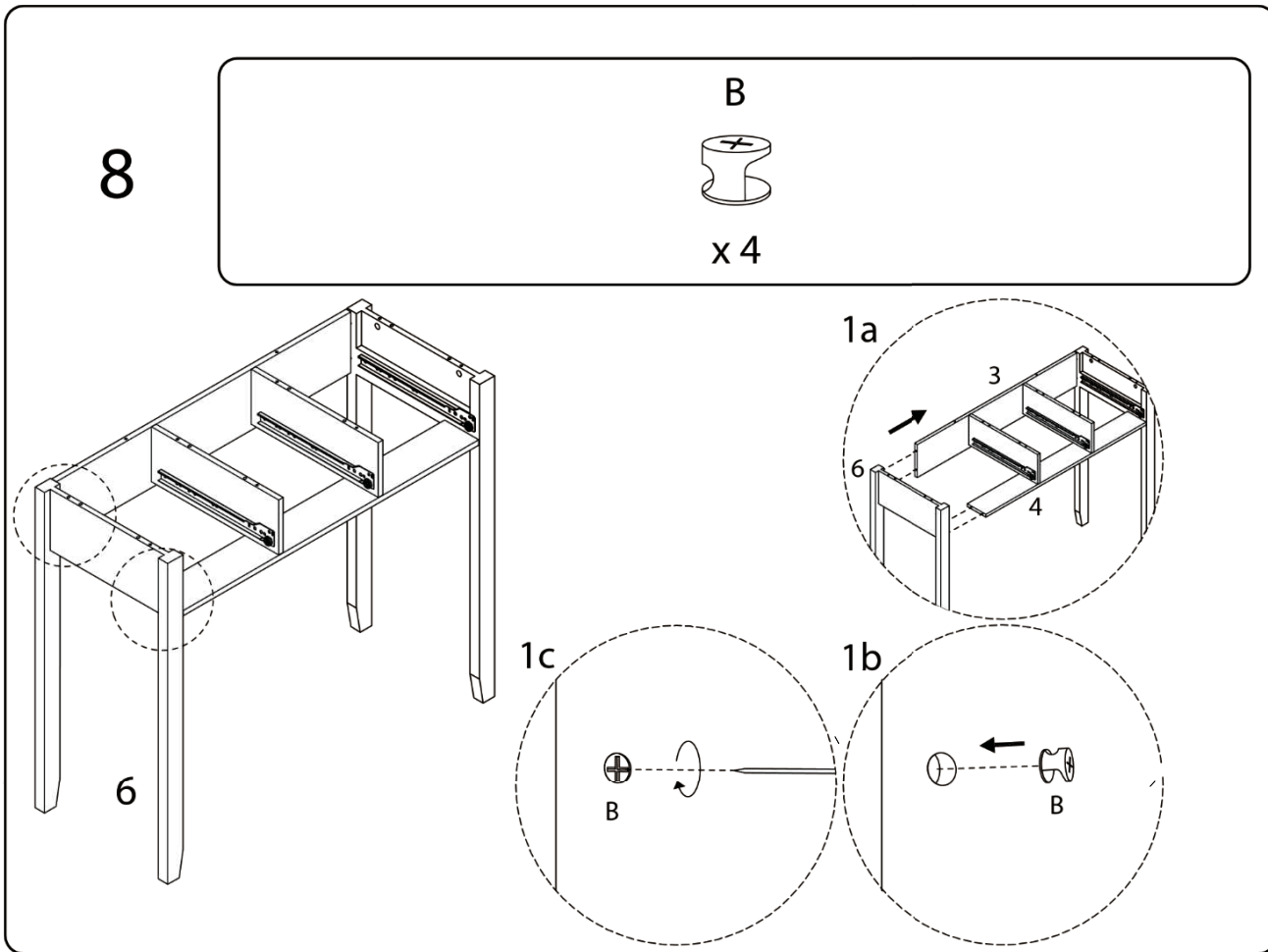
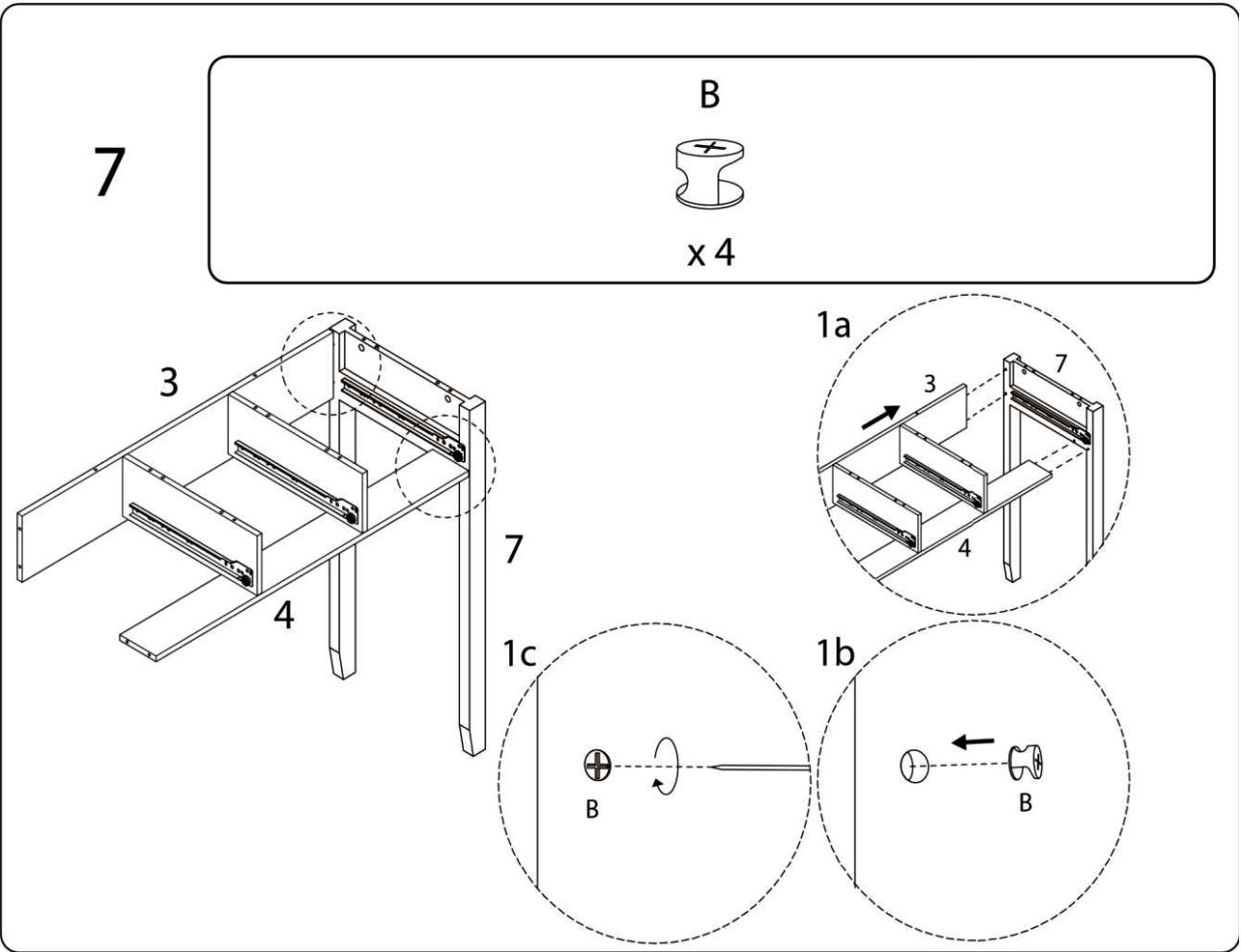
E
M4
x
35
x 2



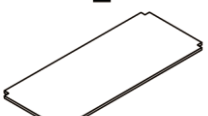


6

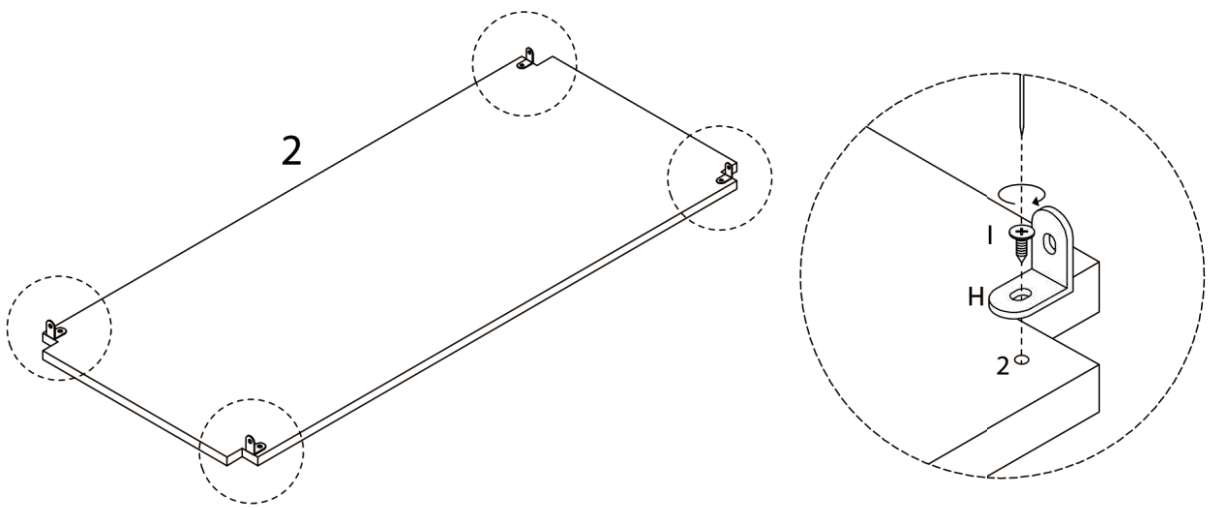
A
x 8






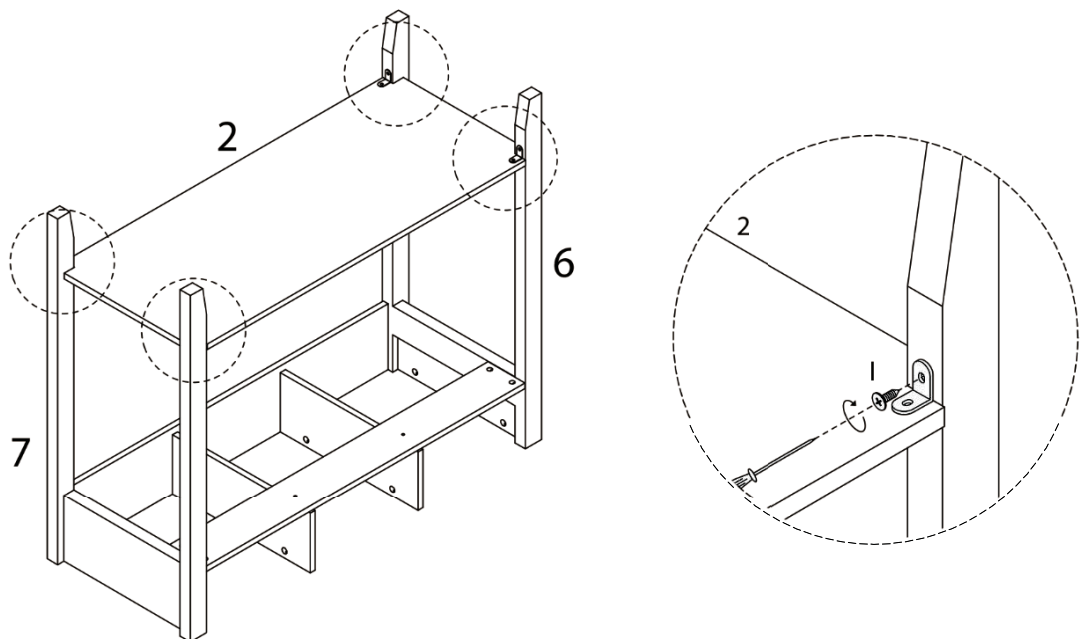
9

| | | |
|---|---|---|
| 2  x 1 | H  x 4 | I  M4 x 12 x 4 |
|---|---|---|

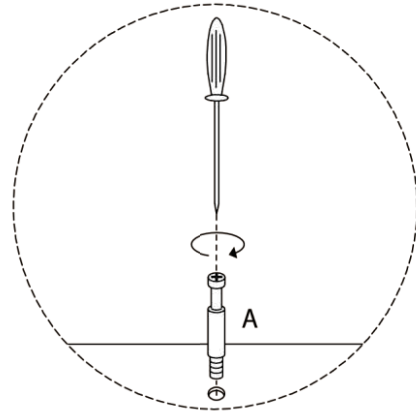
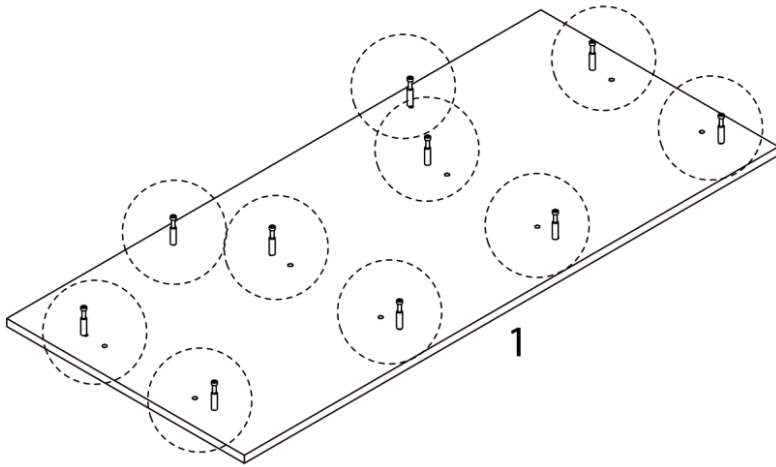
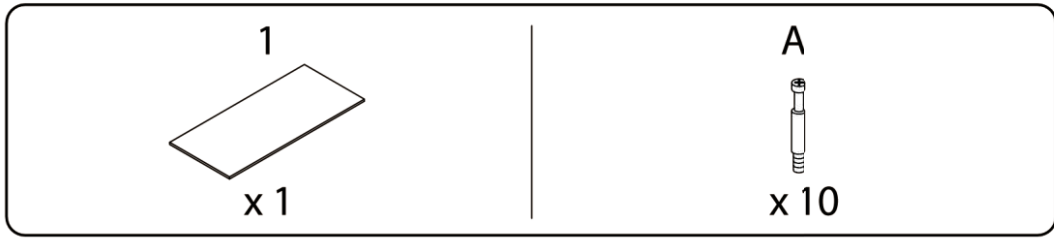


10

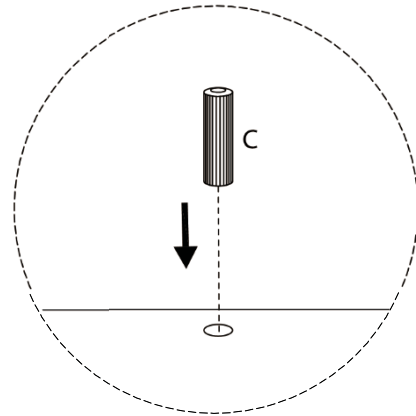
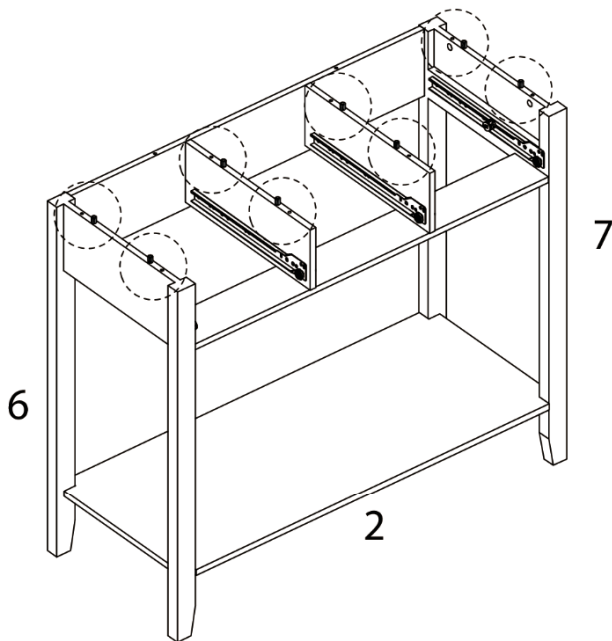
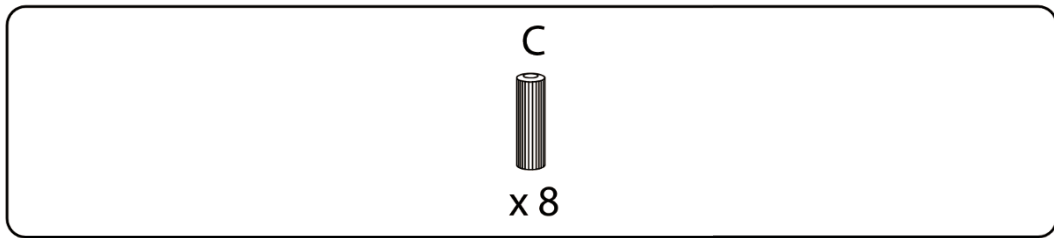
| |
|---|
| I  M4 x 12 x 4 |
|---|



11



12

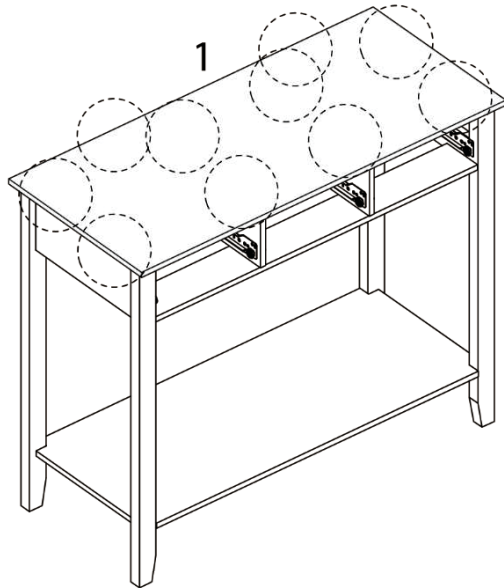


13

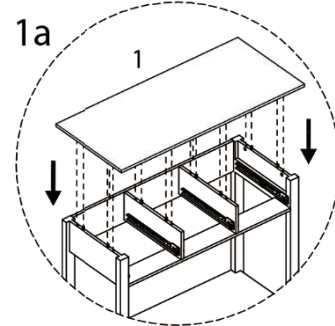
B



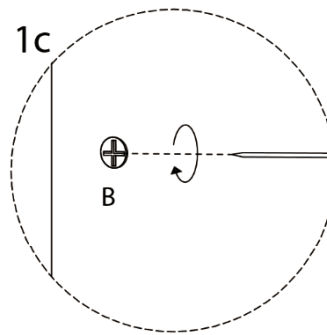
x 10



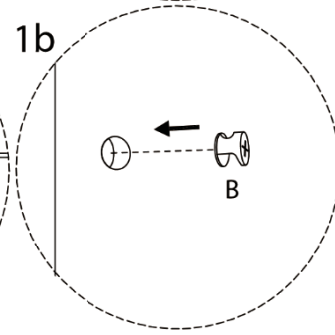
1a



1c



1b



14 x 3

9



x 1

10



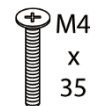
x 1

12

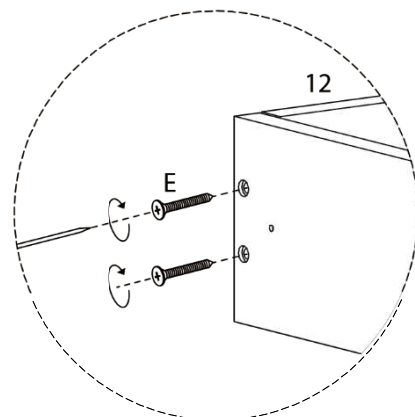
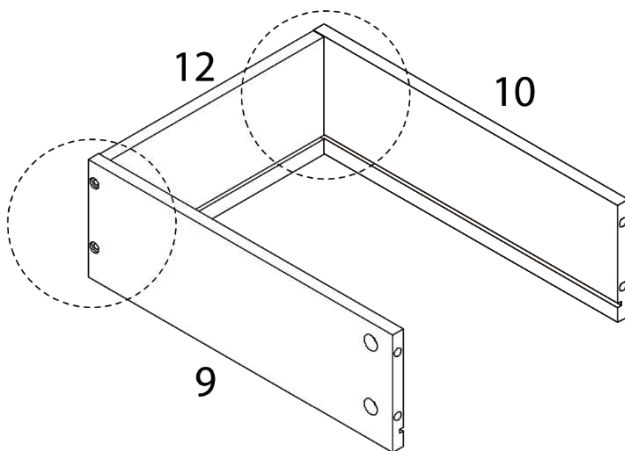


x 1

E

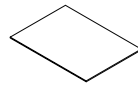


x 4

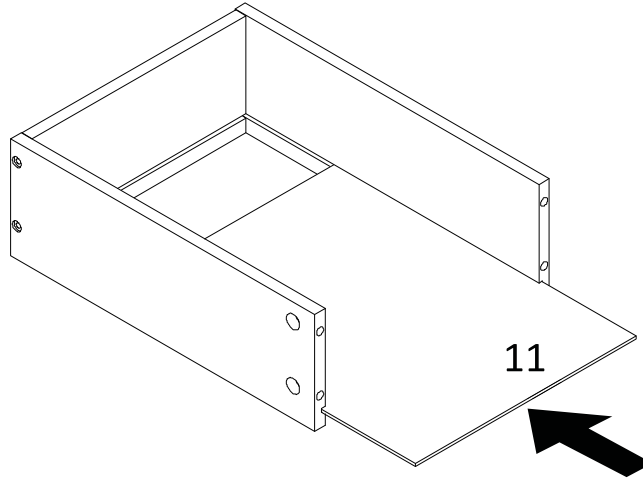


15 x 3

11



x 1



16 x 3

8

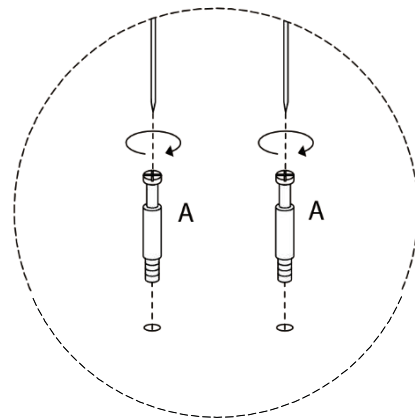
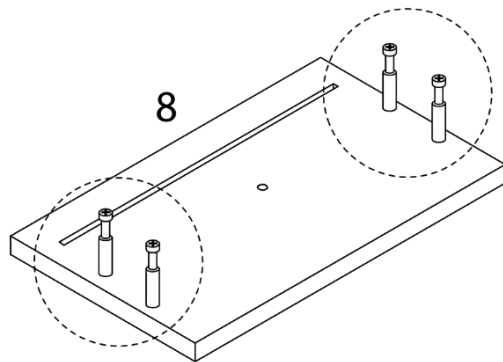


x 1

A



x 4

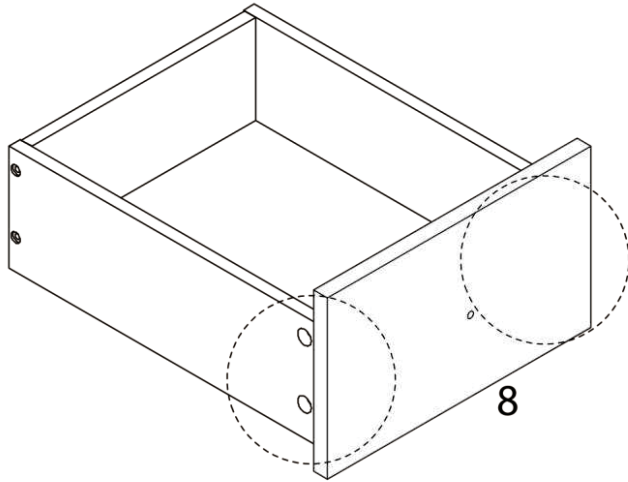


17 x 3

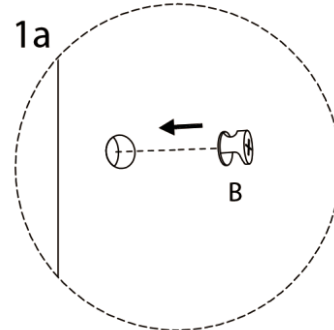
B



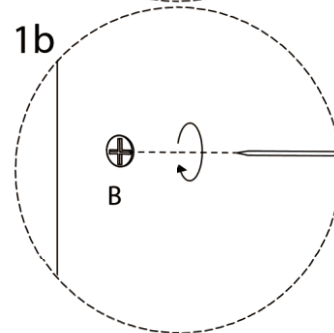
x 4



1a



1b



18 x 3

D



x 6

DL

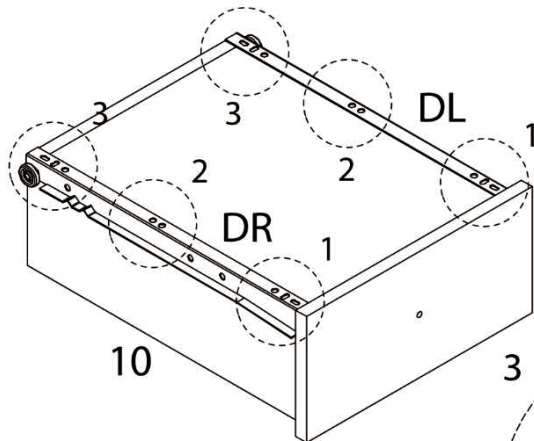


x 1

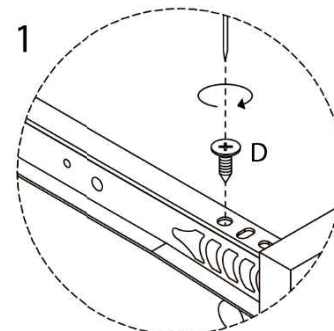
DR



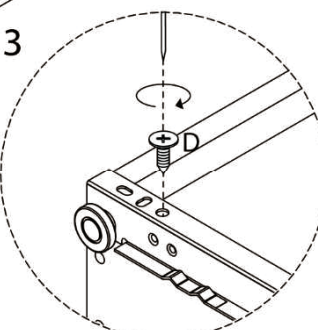
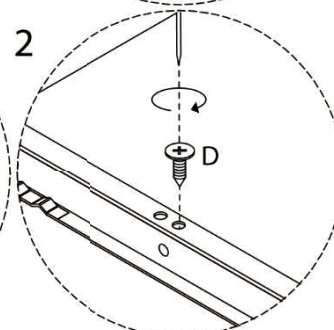
x 1



1

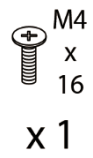


2

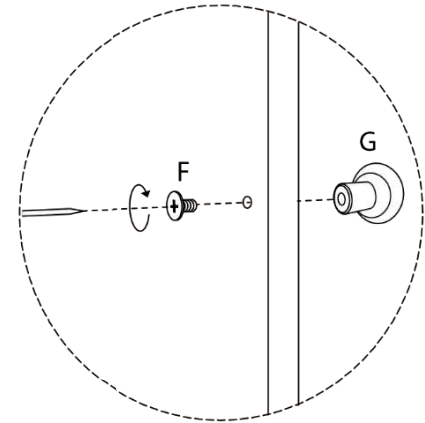
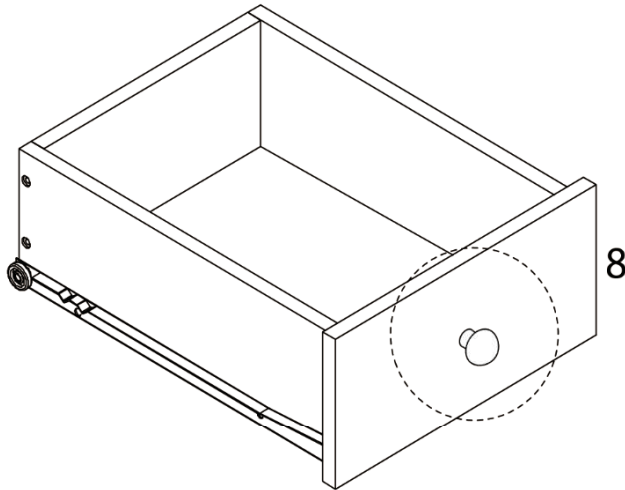


19 x 3

F



G



20

E



x2

K



x2

L



x4

J

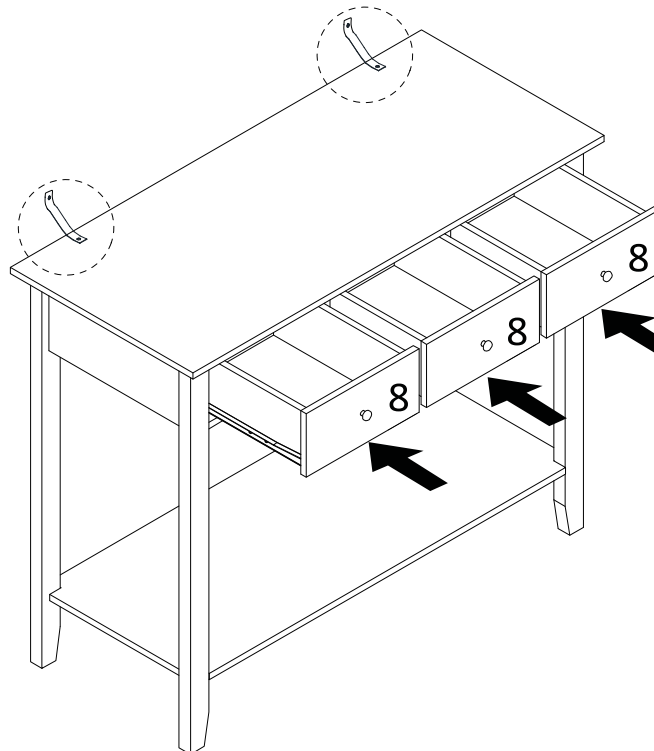


x2

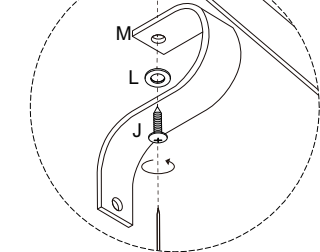
M



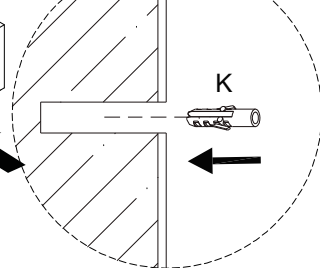
x2



1a



1b



1c

