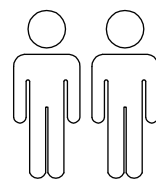
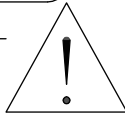
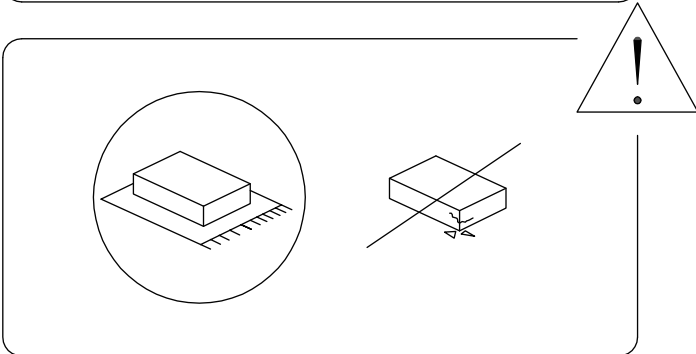
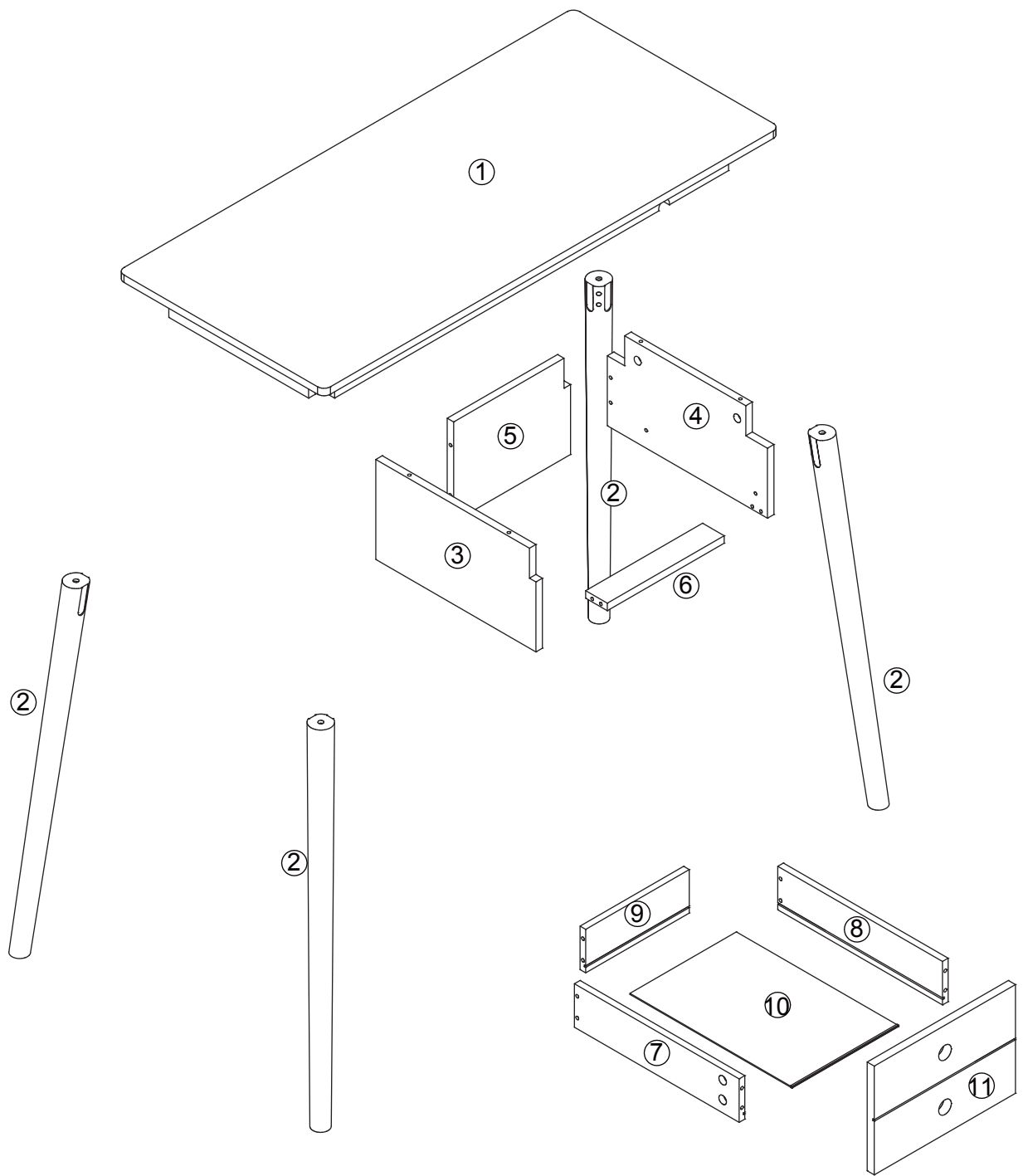




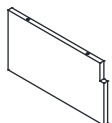
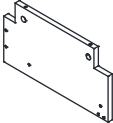
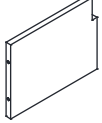

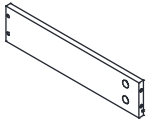

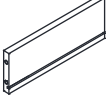
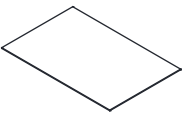
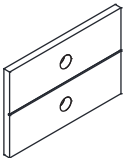
45'











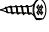

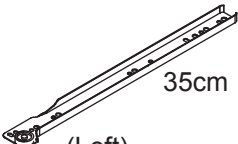
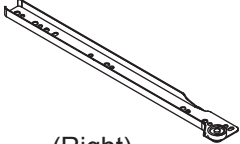
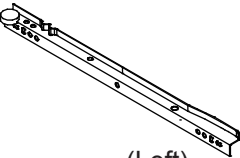
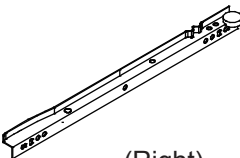
x2



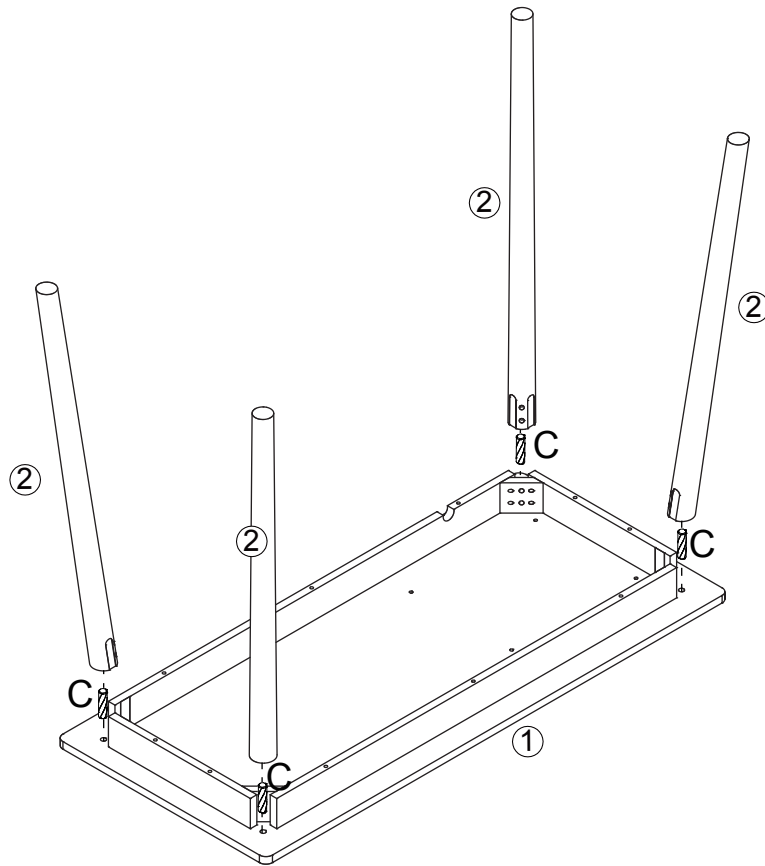
Part list

<p>1</p>  <p>x 1</p>	<p>2</p>  <p>x 4</p>	<p>3</p>  <p>x 1</p>	<p>4</p>  <p>x 1</p>	<p>5</p>  <p>x 1</p>
<p>6</p>  <p>x 1</p>	<p>7</p>  <p>x 1</p>	<p>8</p>  <p>x 1</p>	<p>9</p>  <p>x 1</p>	<p>10</p>  <p>x 1</p>
<p>11</p>  <p>x 1</p>				

Hardware list

<p>A</p>  <p>x 14</p>	<p>B</p>  <p>x 14</p>	<p>C</p>  <p>(Ø10x30mm) x 4</p>	<p>D</p>  <p>(Ø6x50mm) x 8</p>	<p>E</p>  <p>x 8</p>	<p>F</p>  <p>x 8</p>
<p>G</p>  <p>x 1</p>	<p>H</p>  <p>(Ø8x30mm) x 2</p>	<p>I</p>  <p>(Ø3x12mm) x 8</p>	<p>J</p>  <p>(Ø4x30mm) x 4</p>		
 <p>35cm (Left) Slider x1</p>	 <p>(Right) Slider x1</p>	 <p>(Left) Slider x1</p>	 <p>(Right) Slider x1</p>		

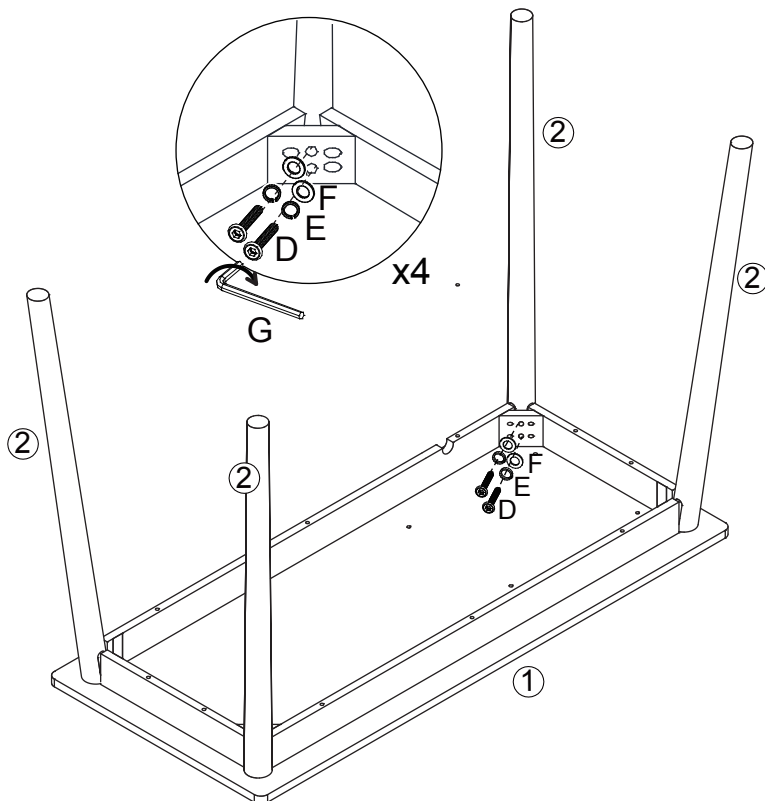
Step 1



4xC



Step 2



8xD



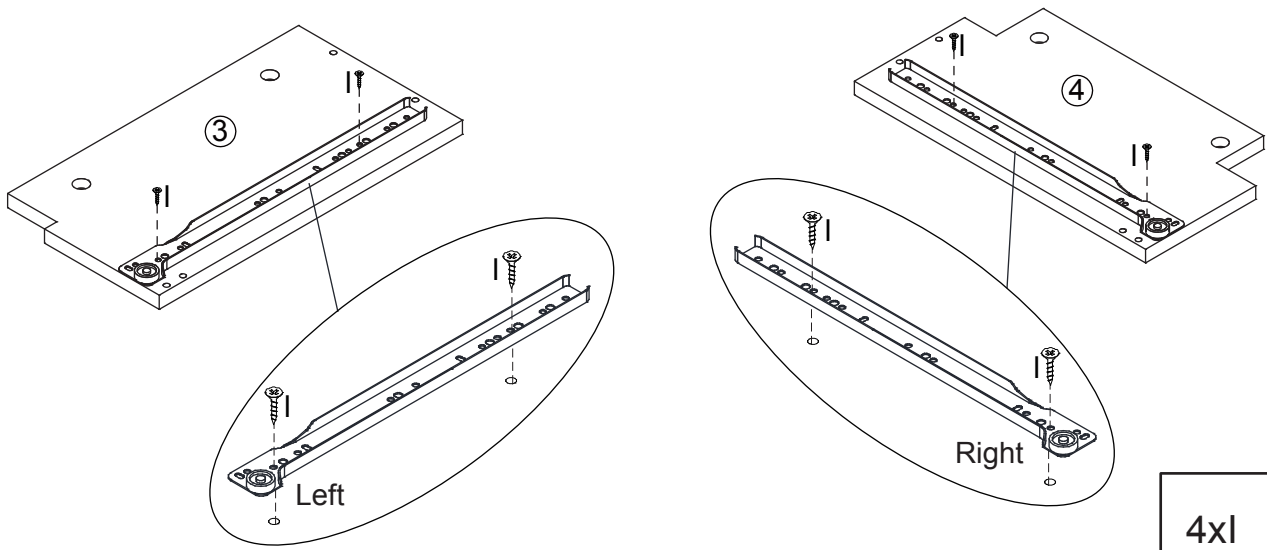
8xE

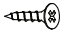




8xF

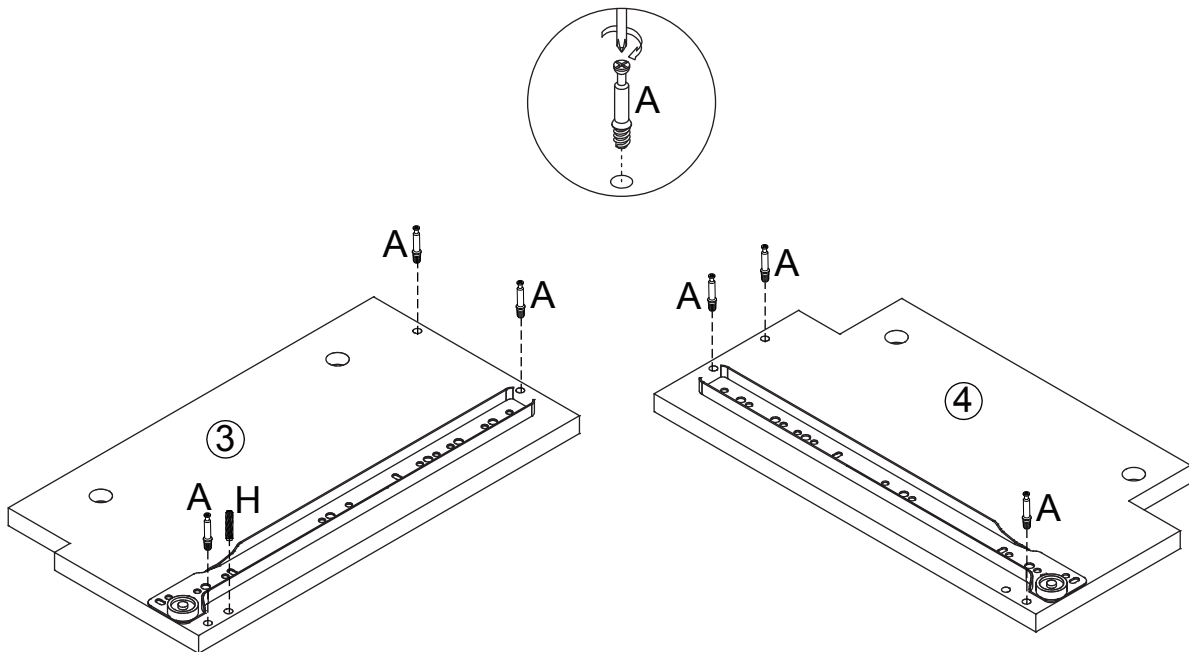




Step 3



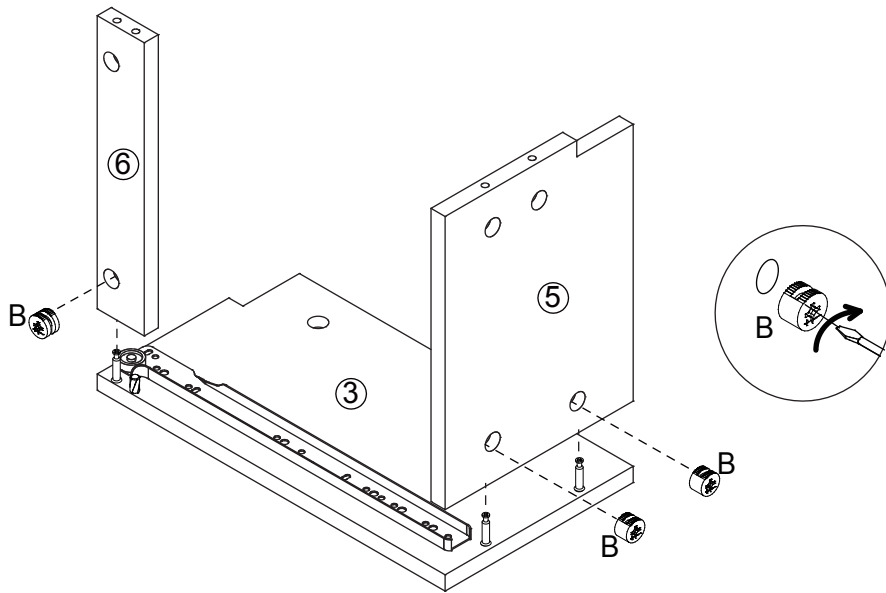
4xI	
Left	
Right	

Step 4



6xA	
1xH	

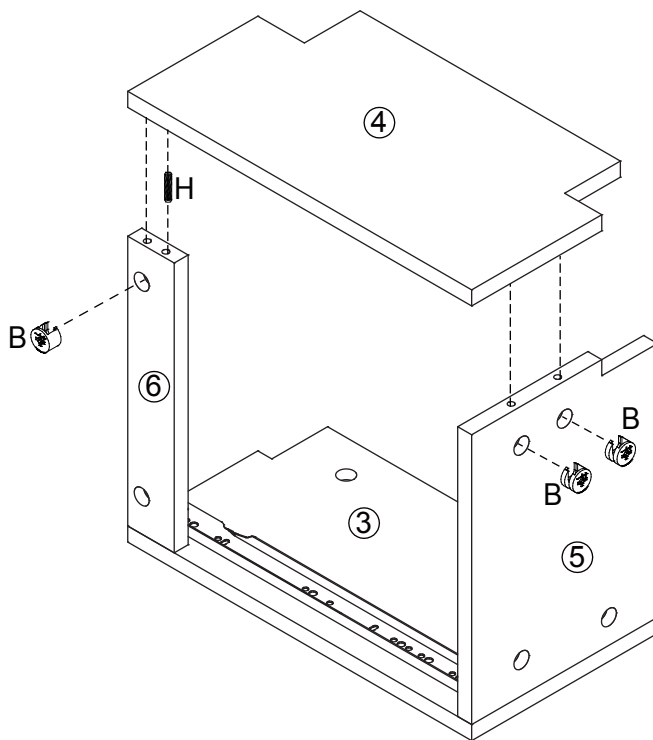
Step 5



3xB



Step 6



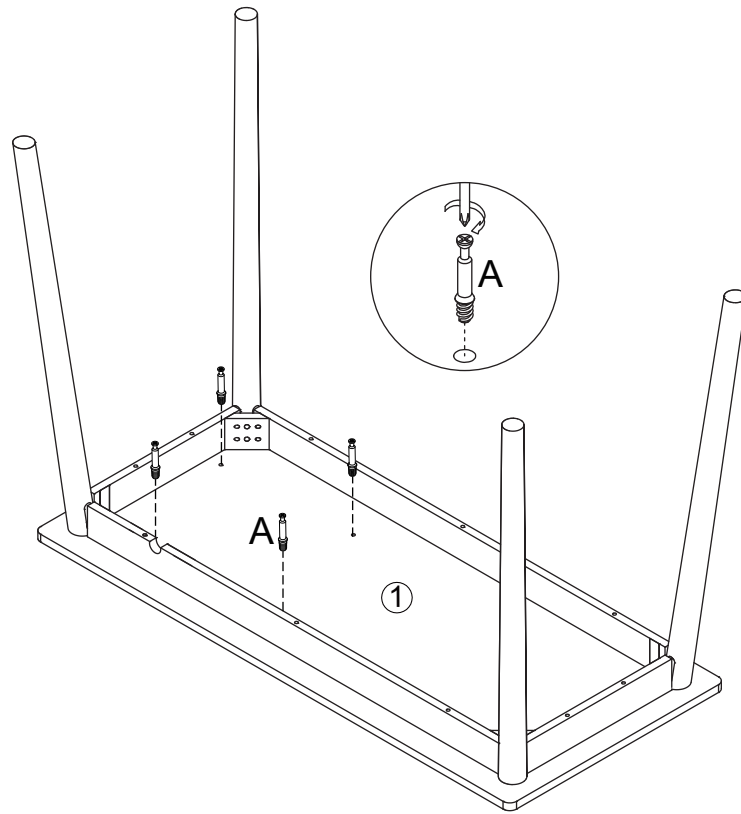
3xB



1xH



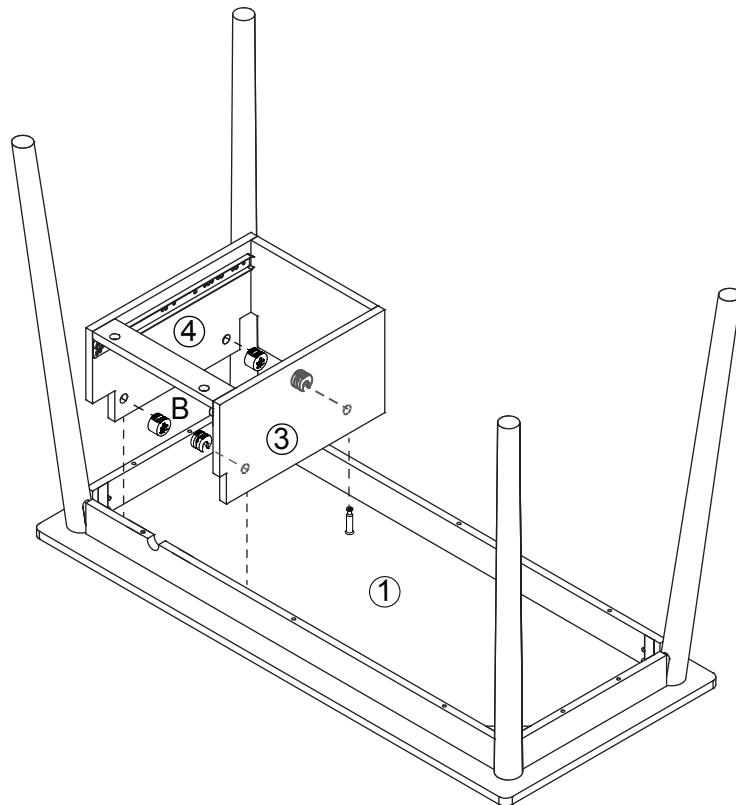
Step 7



4xA



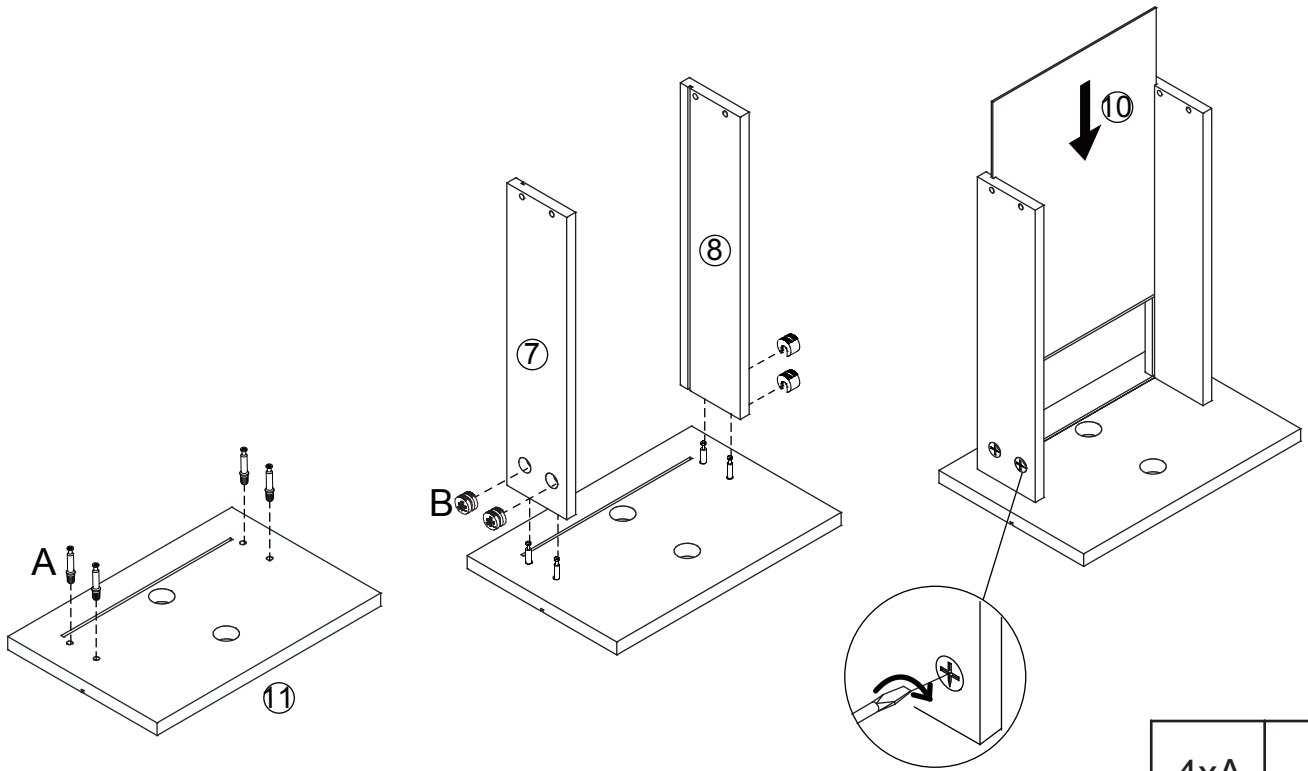
Step 8





4xB

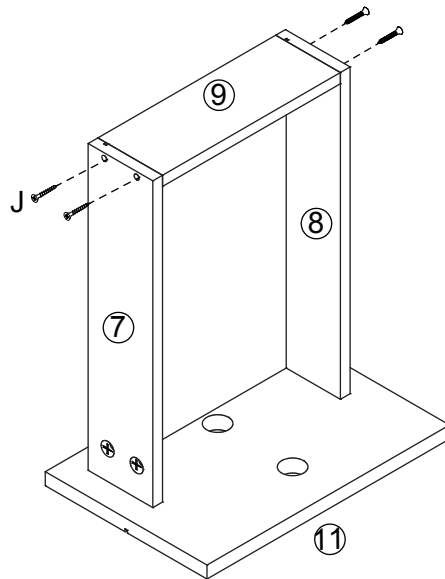


Step 9



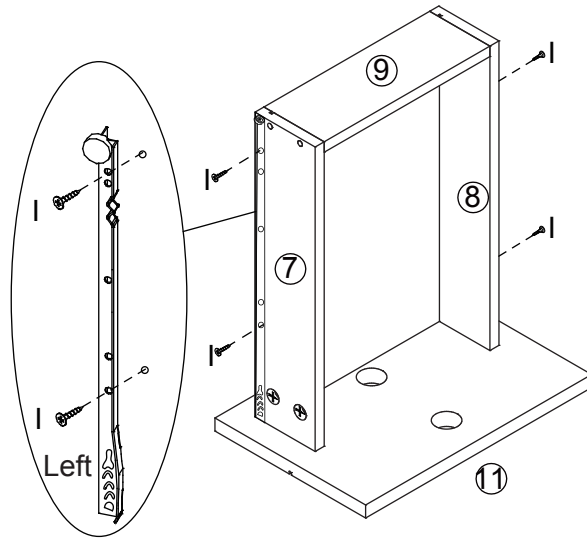
4xA	
4xB	

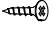


Step 10



4xJ	
-----	---

Step 11



4x1	
Left	
Right	

Step 12

