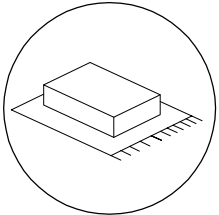
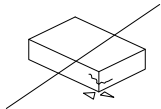
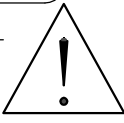
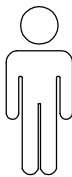
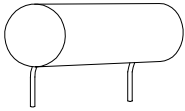
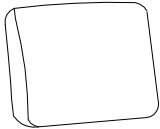
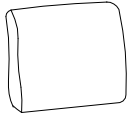
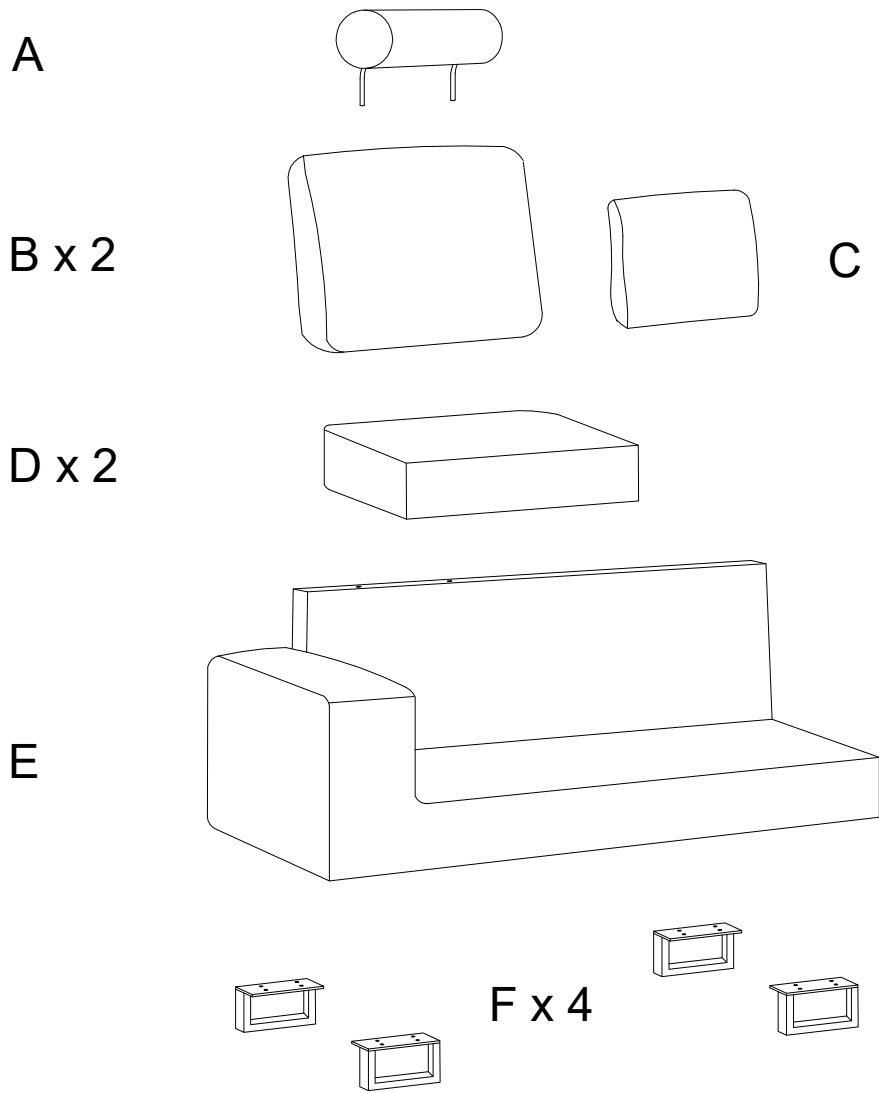

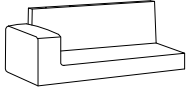
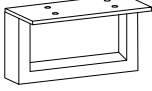
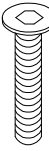

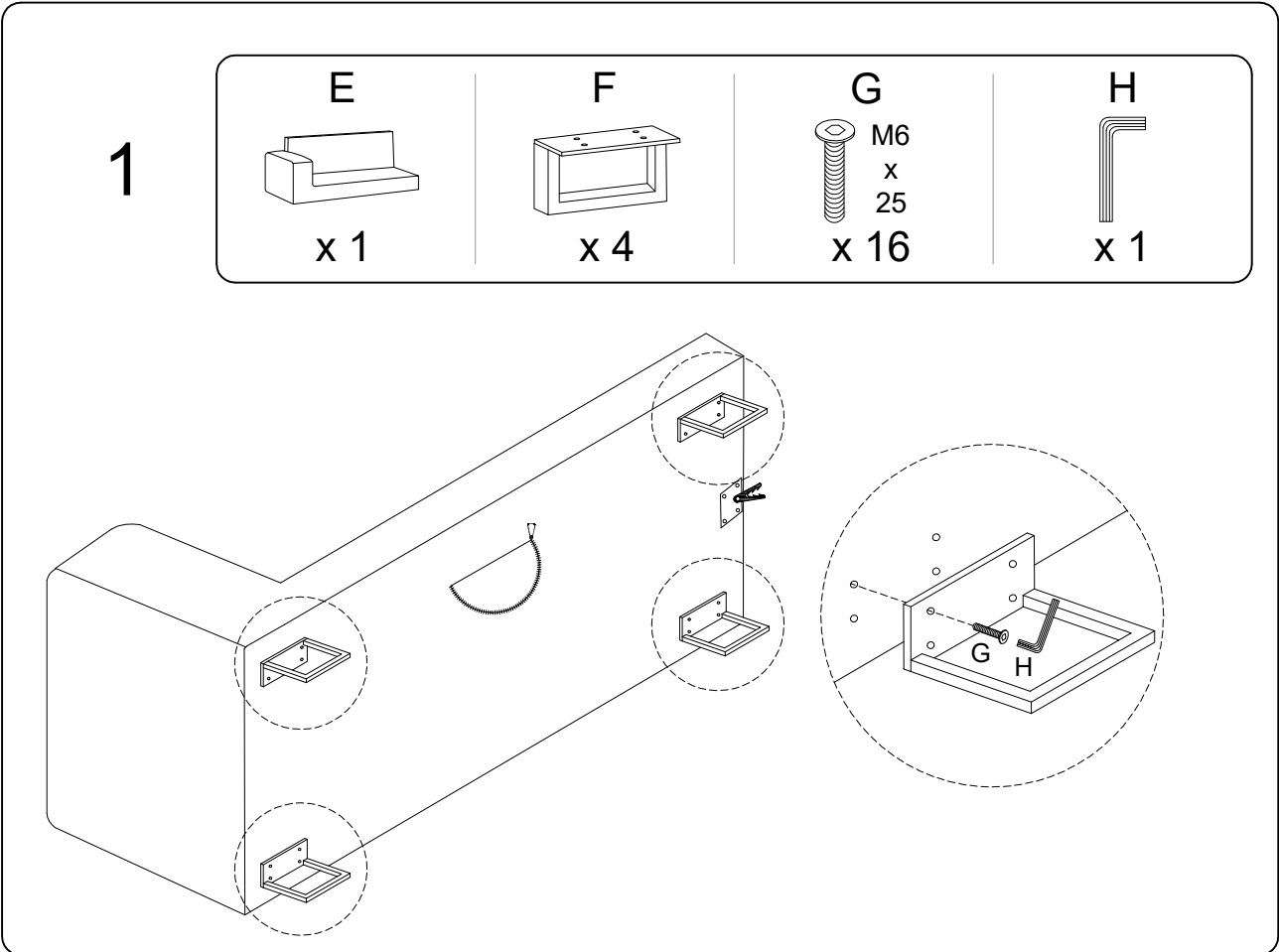
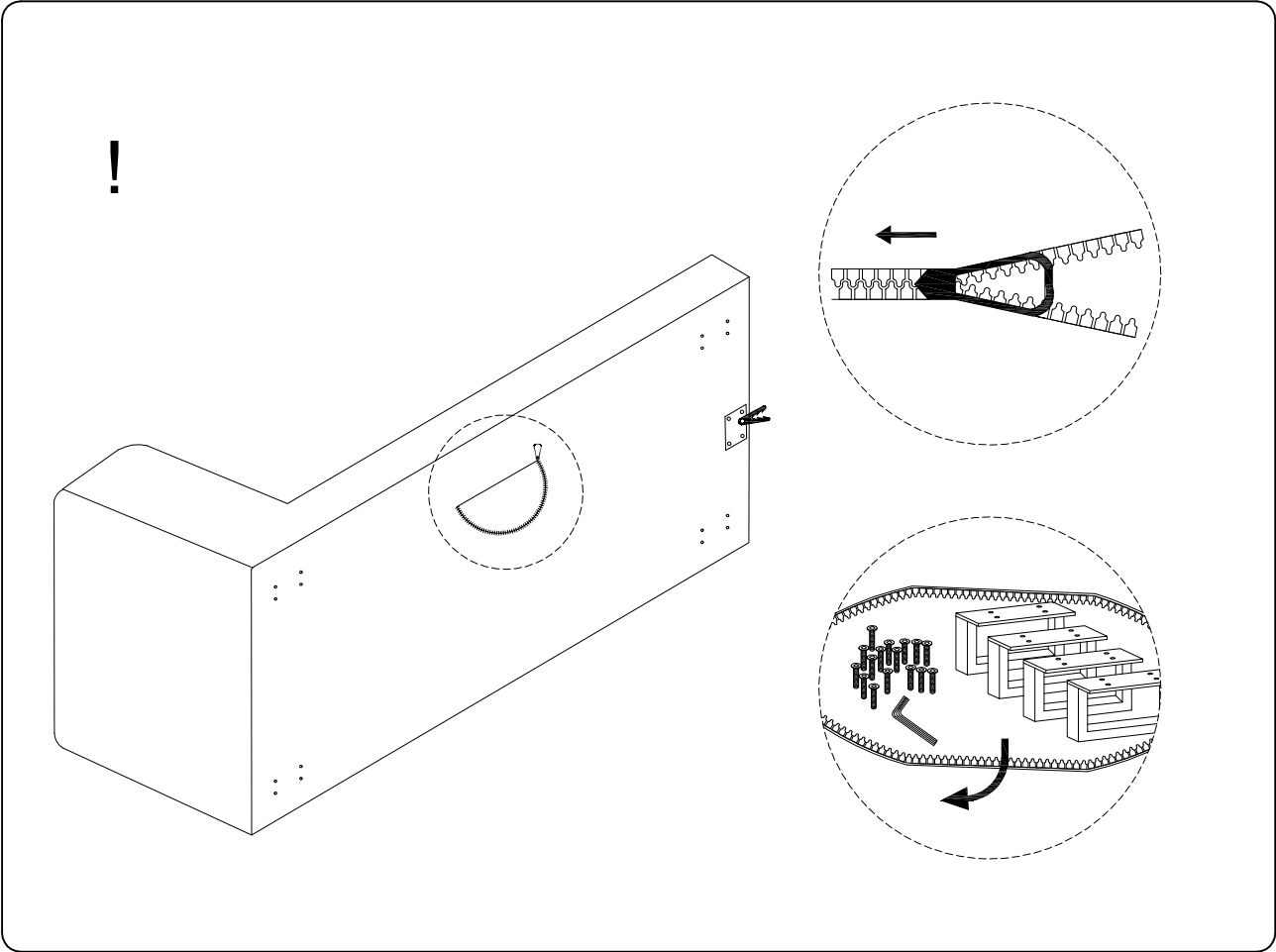

		25'
 		
		2
1/5		

A	B	C
		
x 1	x 2	x 1

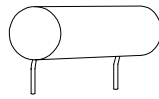


D	E	F	G	H
			 M6 x 25	
x 2	x 1	x 4	x 16	x 1

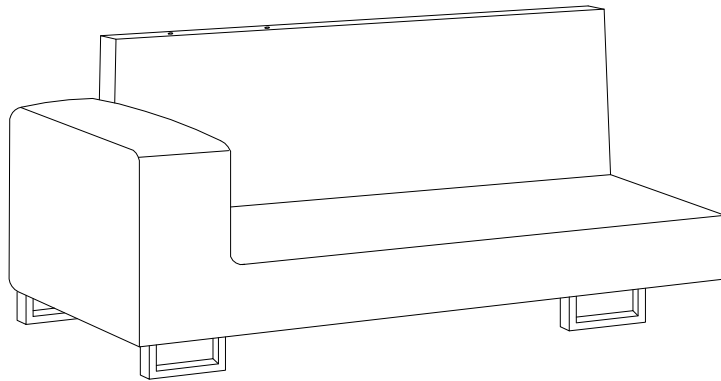
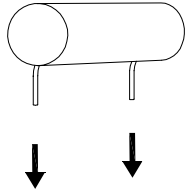


2

A

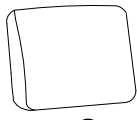


x 1



3

B



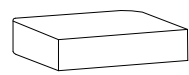
x 2

C

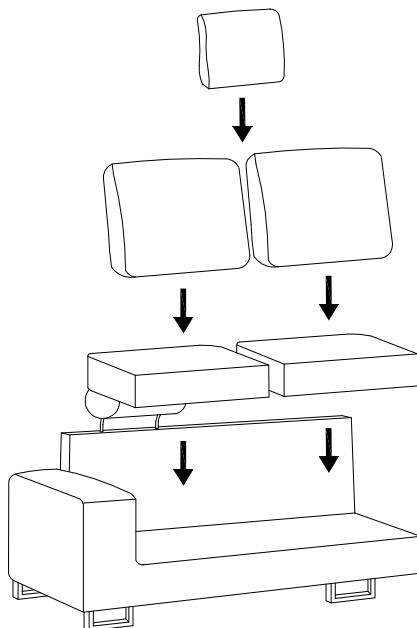


x 1

D



x 2



!

