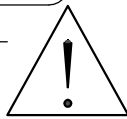
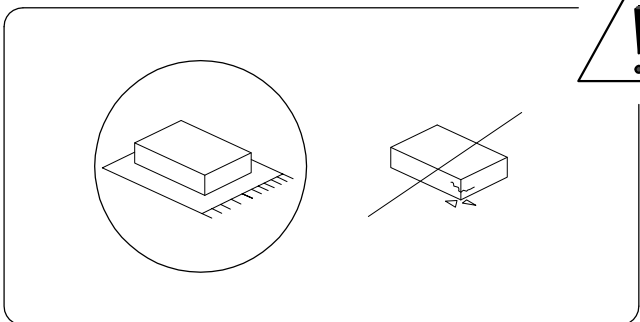
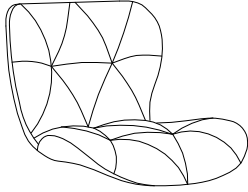
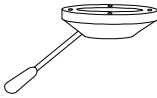



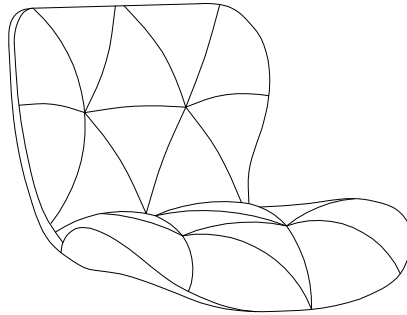
15'



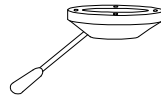
1

1/4

<p>A</p>  <p>x 1</p>	<p>B</p>  <p>x 1</p>	<p>C</p>  <p>x 1</p>
---	---	---



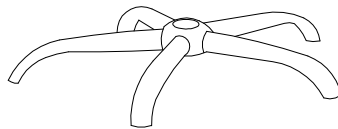
A



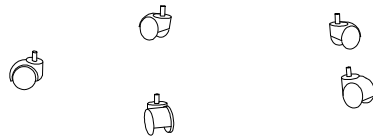
D



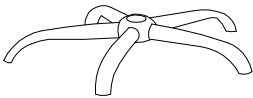
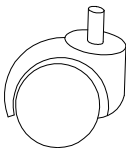
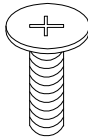
D



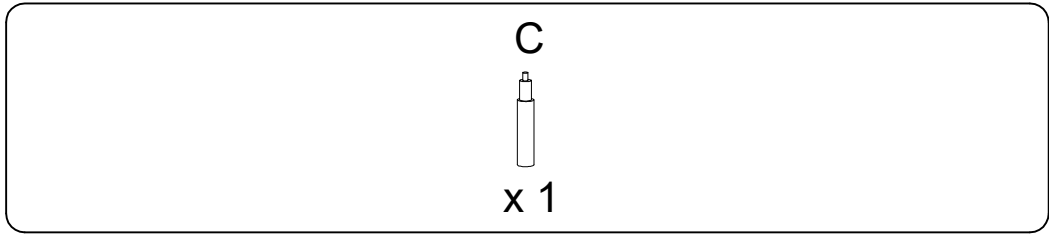
C



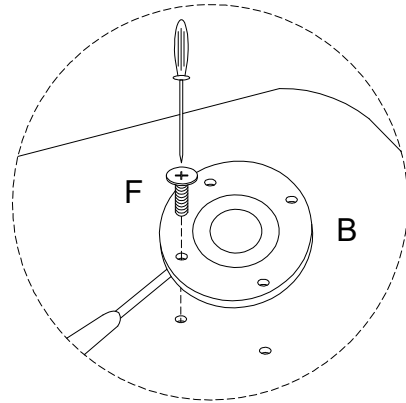
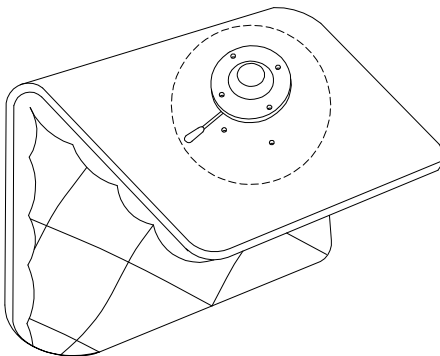
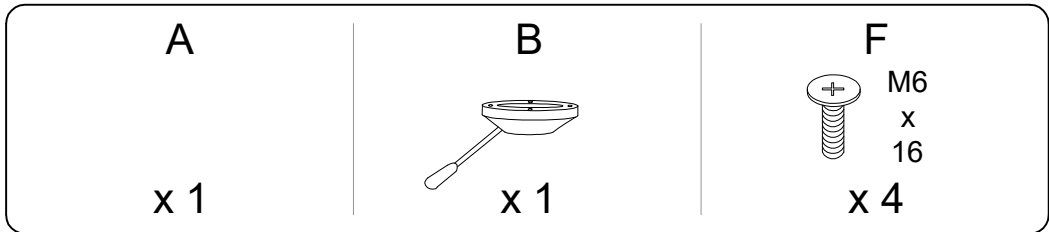
E x 5

<p>D</p>  <p>x 1</p>	<p>E</p>  <p>x 5</p>	<p>F</p>  <p>M6 x 16</p> <p>x 4</p>
---	---	---

!



1



2

