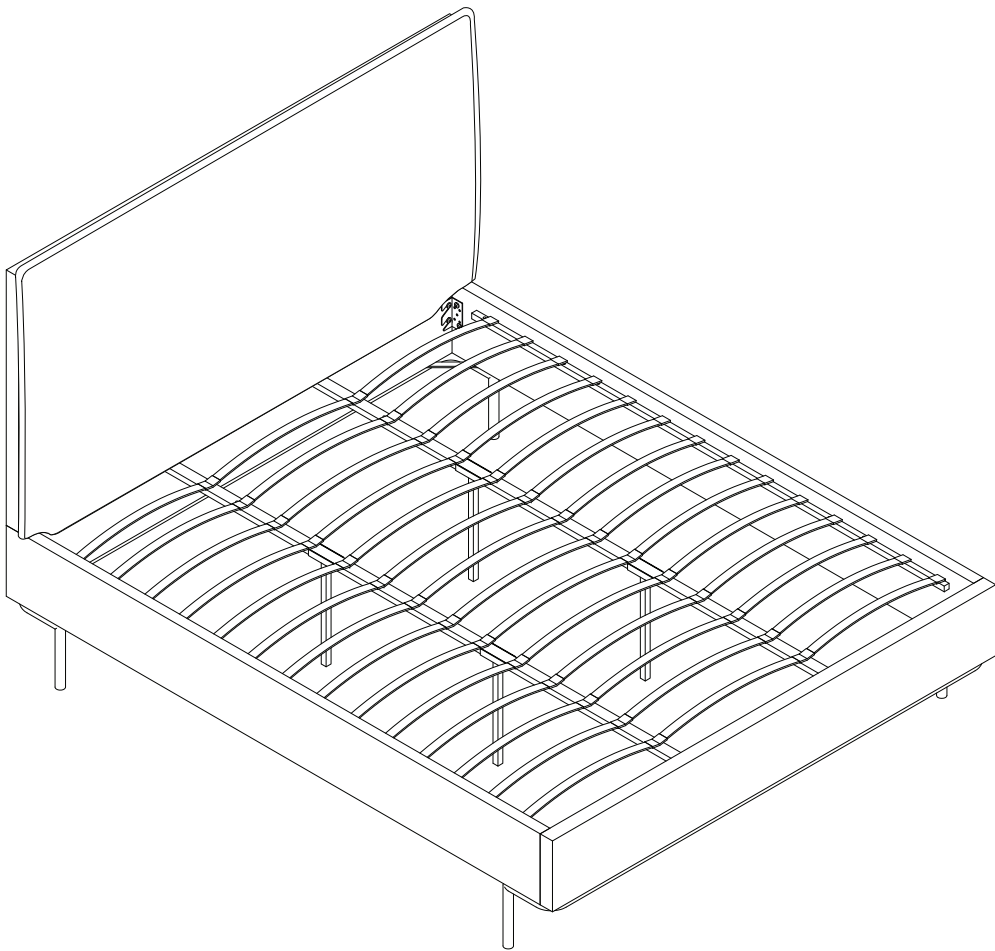
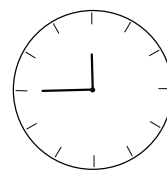
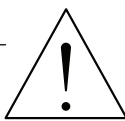
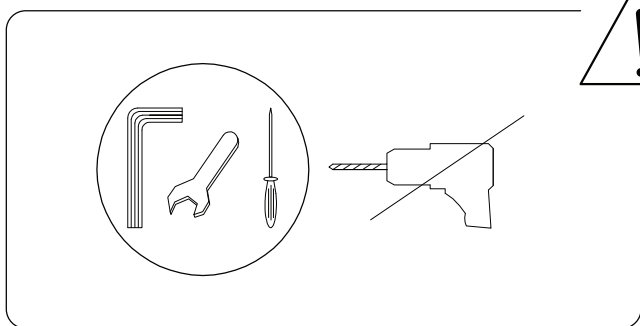
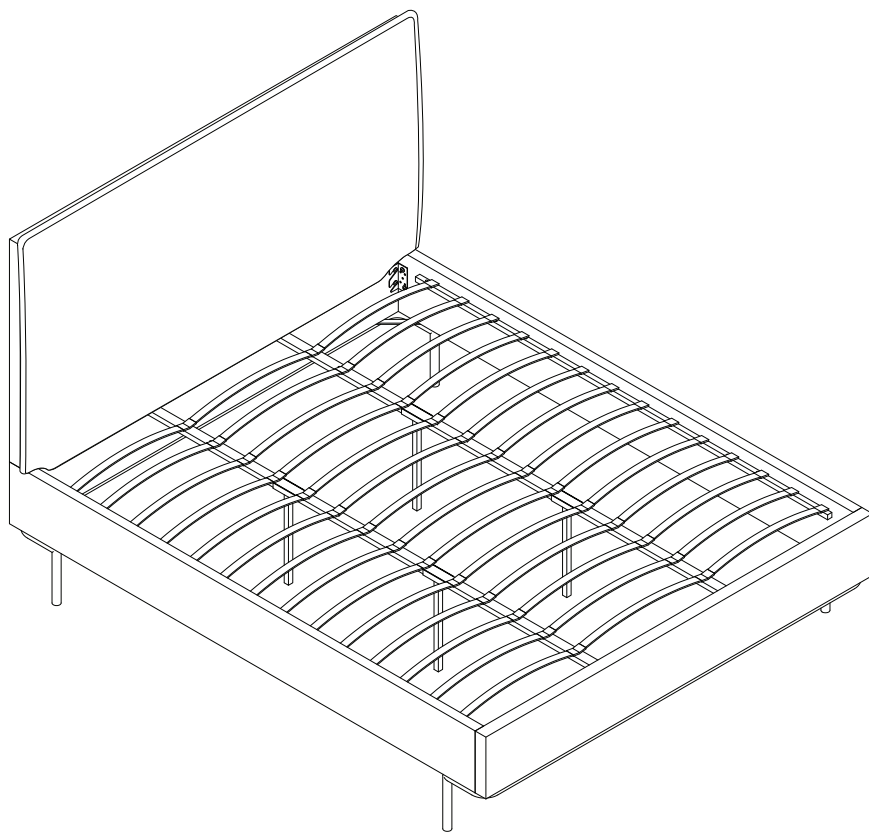
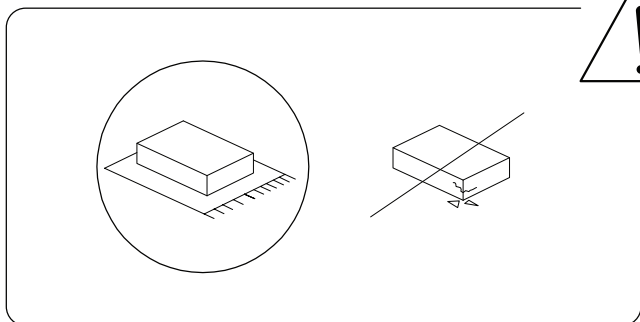


CORIO

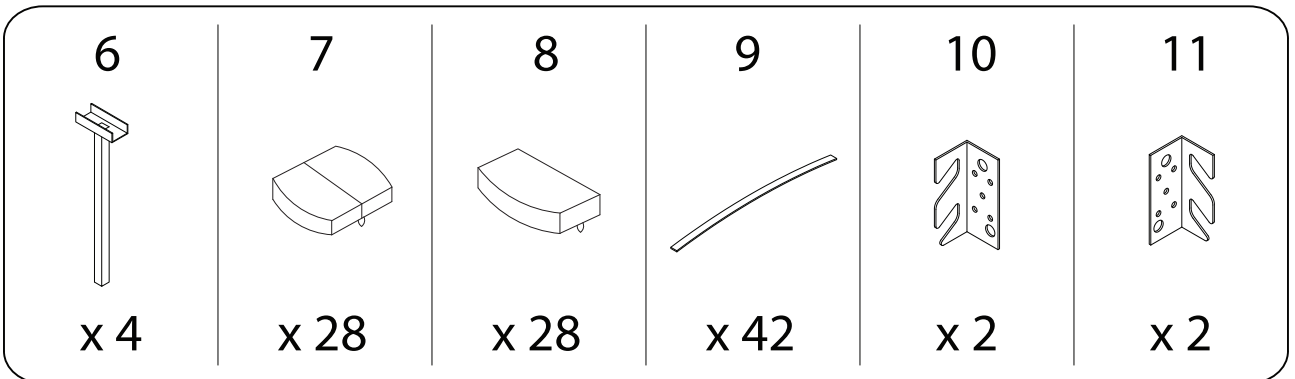
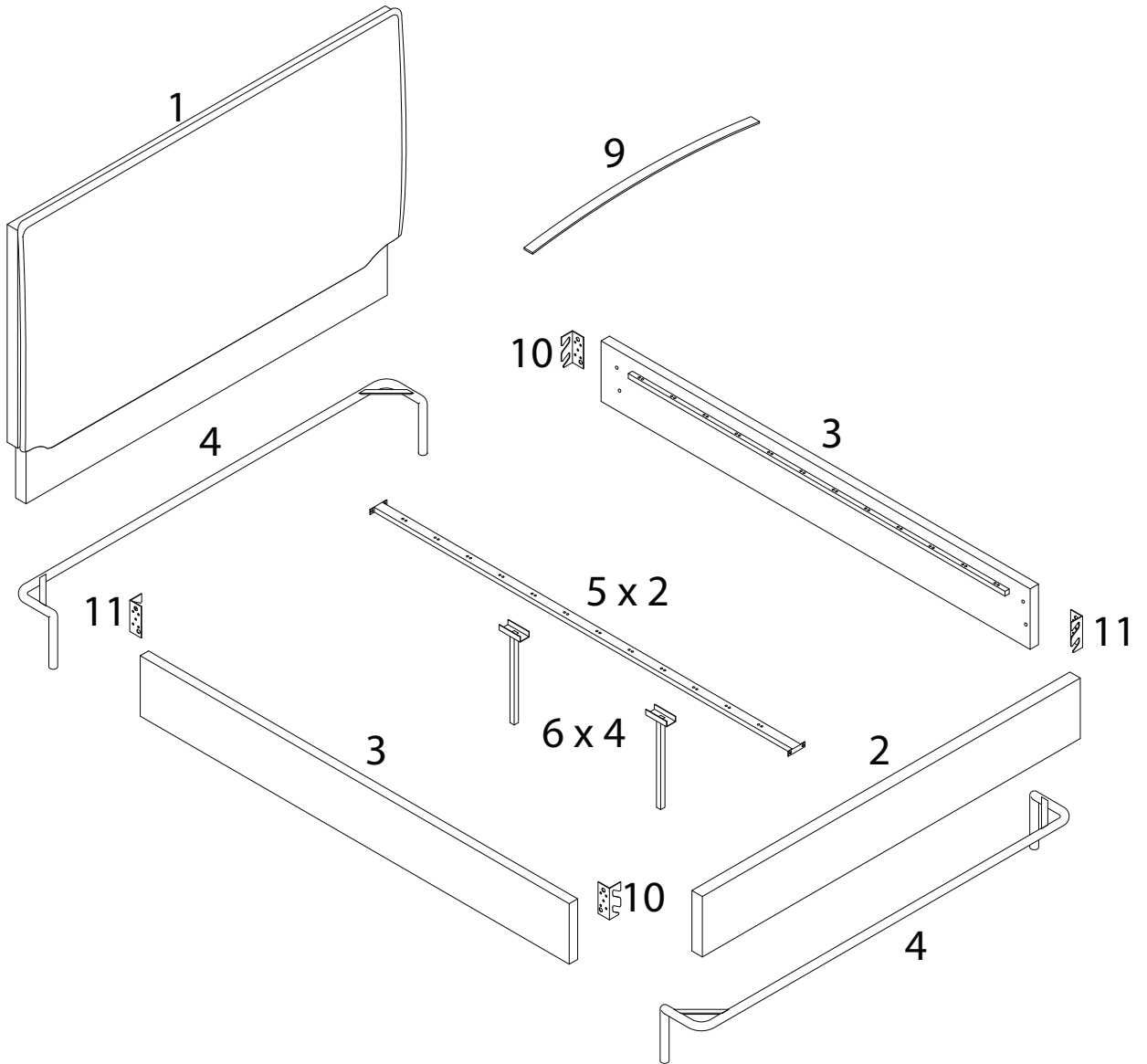
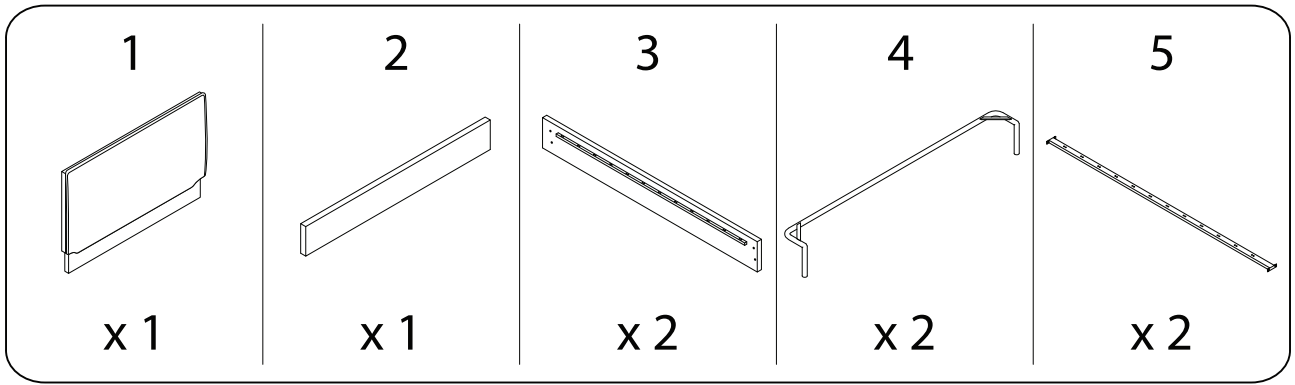




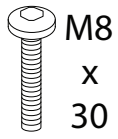
45'



2

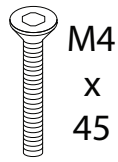


A



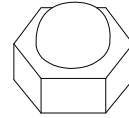
x 32

B



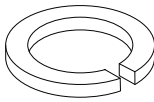
x 4

C



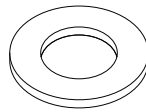
x 8

D



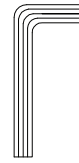
x 8

E



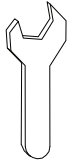
x 16

F



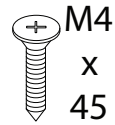
x 1

G



x 1

H



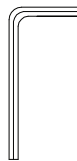
x 4

I





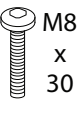
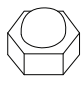
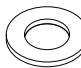


x 20

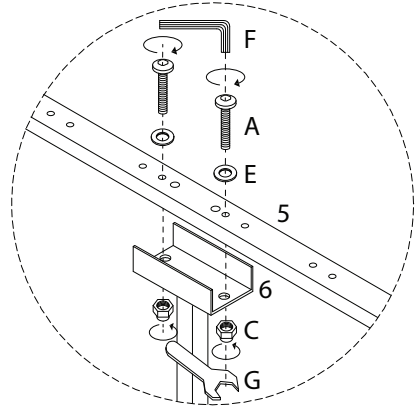
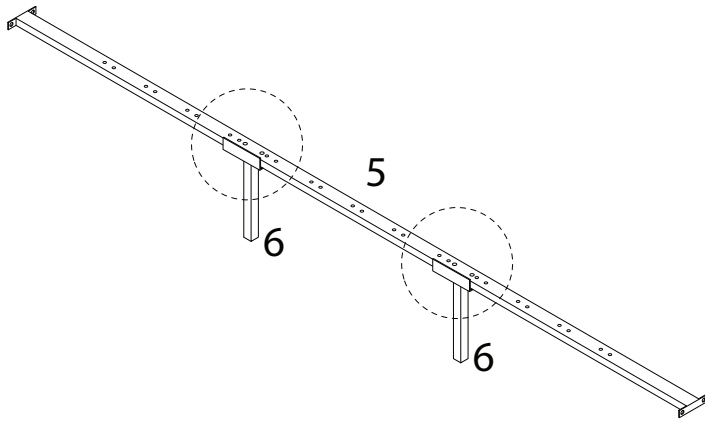
J



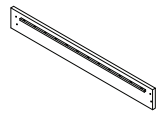
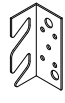




x 1

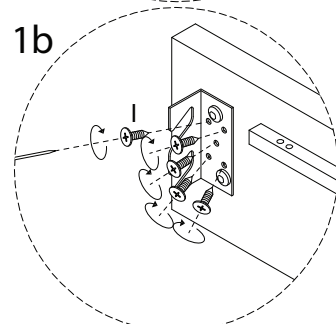
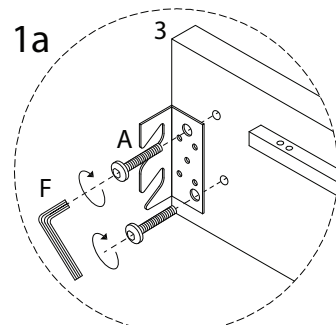
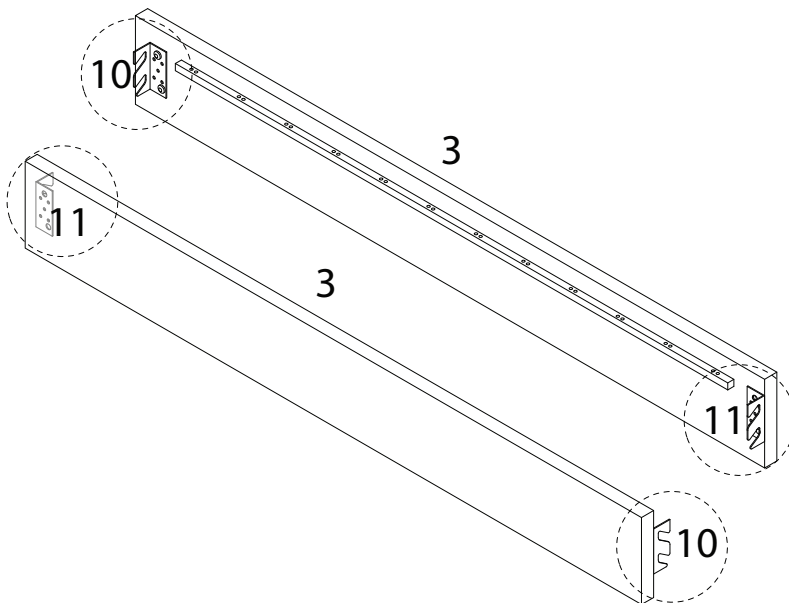
1 x 2

5  x 1	6  x 2	A  M8 x 30 x 4	C  x 4	E  x 4	F  x 1	G  x 1
---	---	--	---	--	---	---

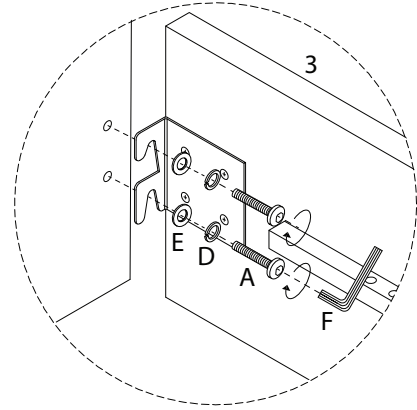
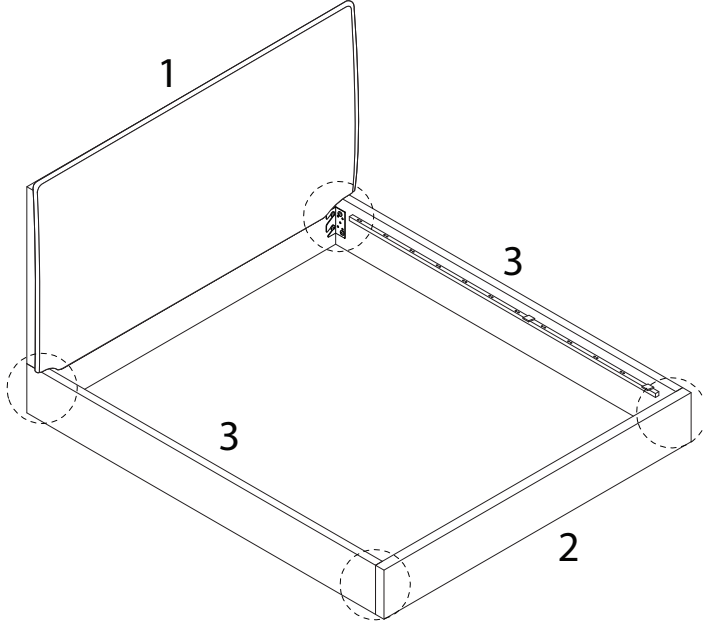
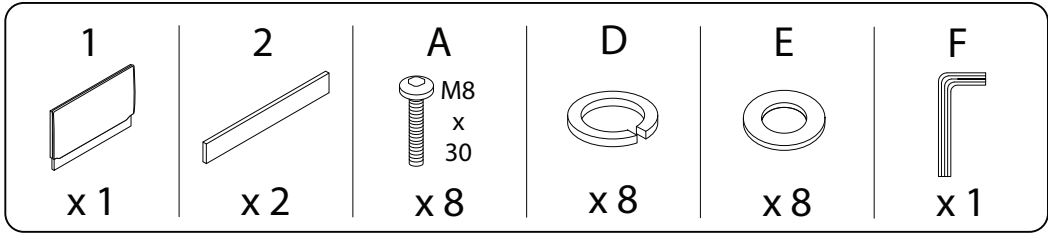


2

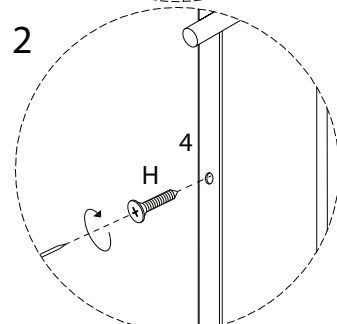
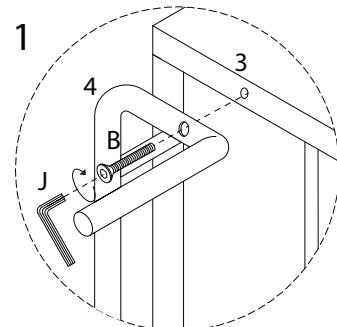
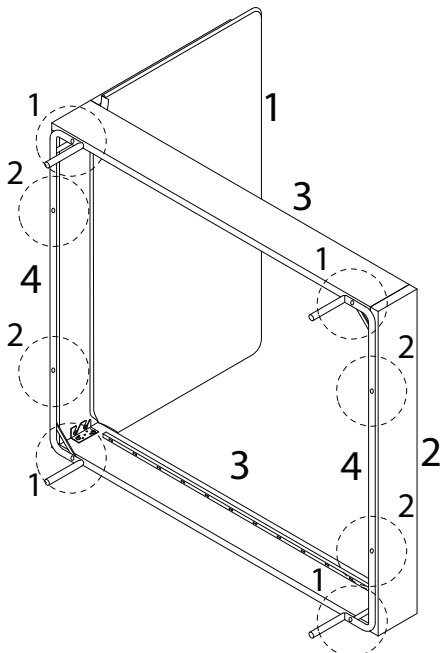
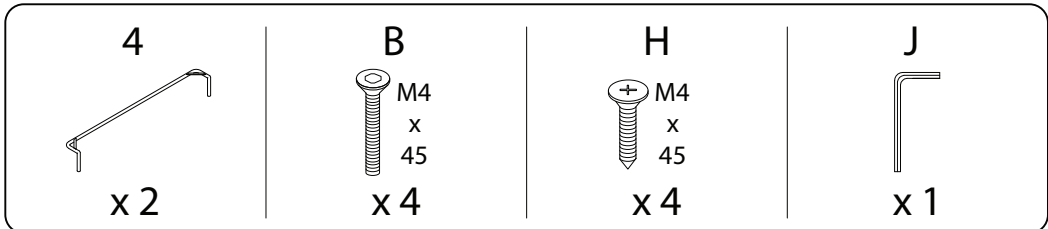
3  x 2	10  x 2	11  x 2	A  M8 x 30 x 8	F  x 1	I  M4 x 20 x 20
---	--	--	---	---	---



3

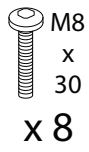


4

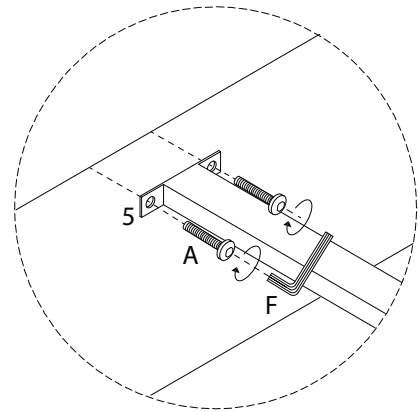
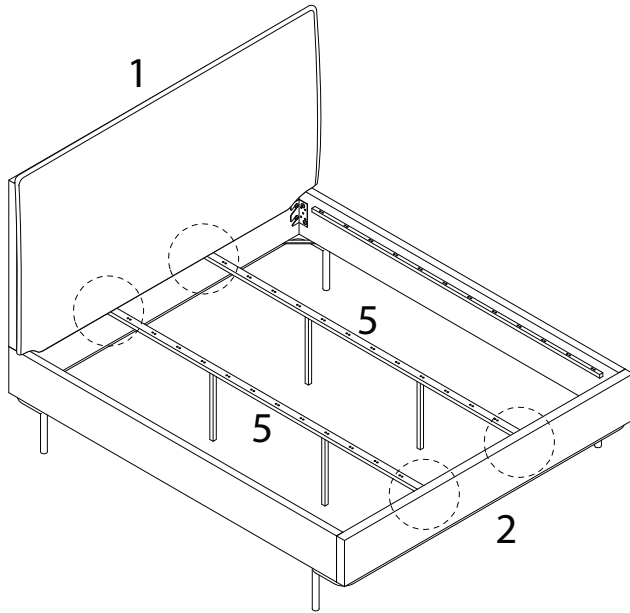
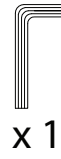


5

A

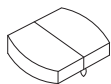


F

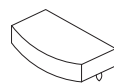


6 x 14

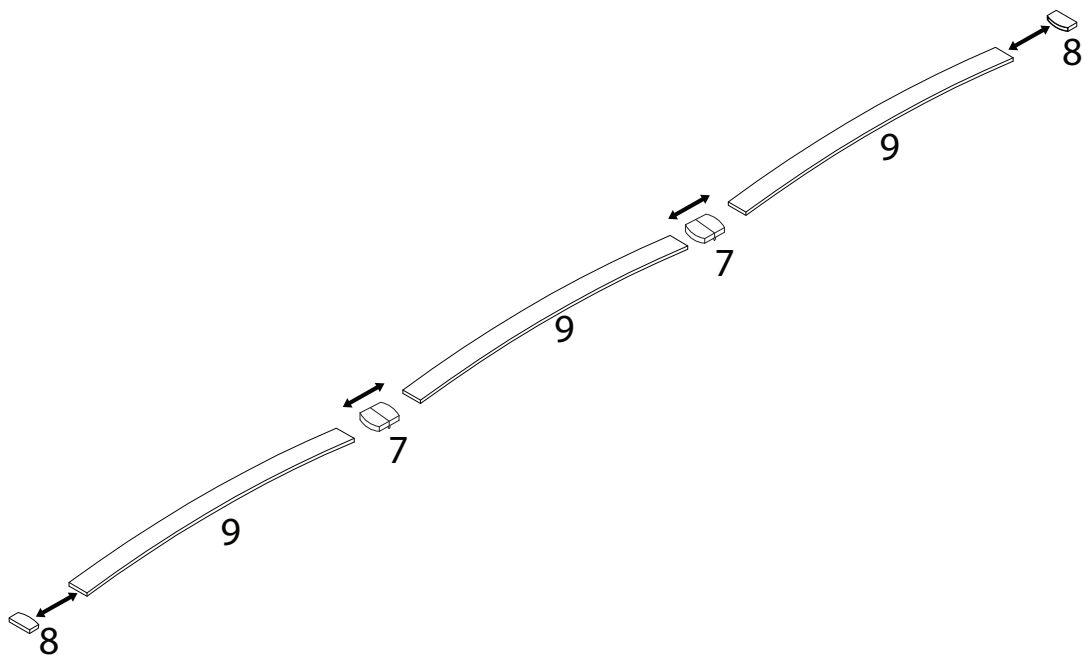
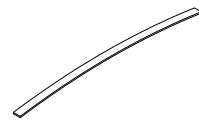
7



8



9



7

