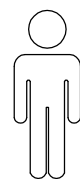
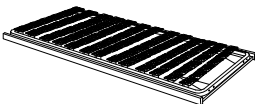
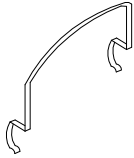
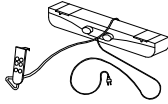
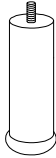
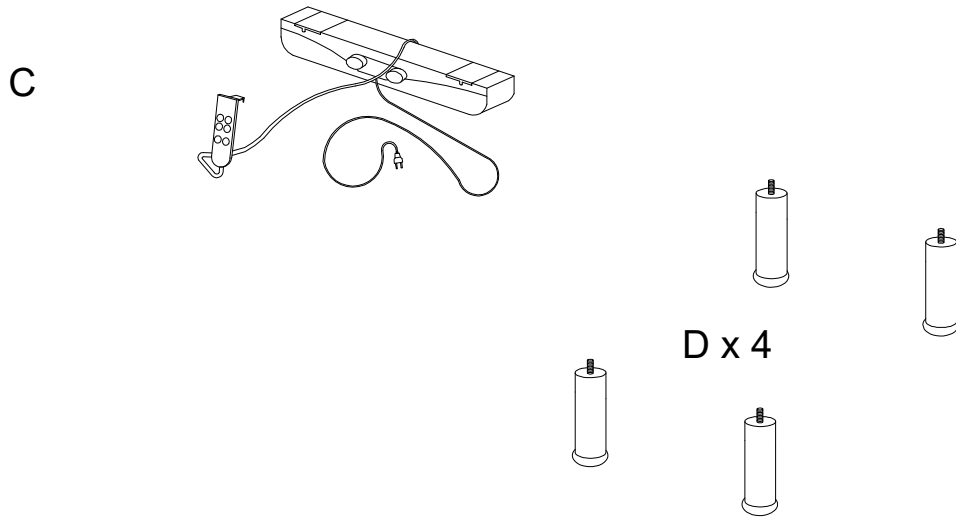
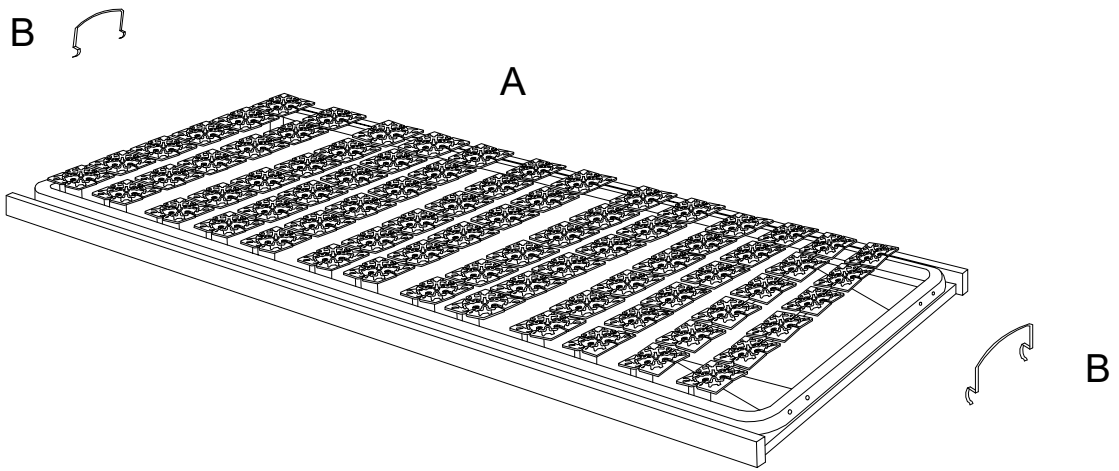


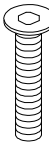
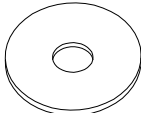
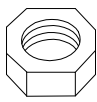
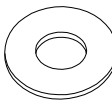
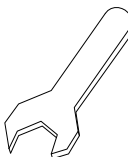

20'



1

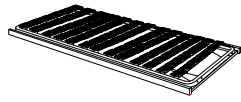
<b>A</b>	<b>B</b>	<b>C</b>	<b>D</b>
			
<b>x 1</b>	<b>x 2</b>	<b>x 1</b>	<b>x 4</b>



<b>E</b>	<b>F</b>	<b>G</b>	<b>H</b>	<b>I</b>	<b>J</b>
 M8 x 25					
<b>x 6</b>	<b>x 4</b>	<b>x 4</b>	<b>x 8</b>	<b>x 1</b>	<b>x 1</b>

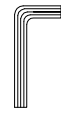
1

A

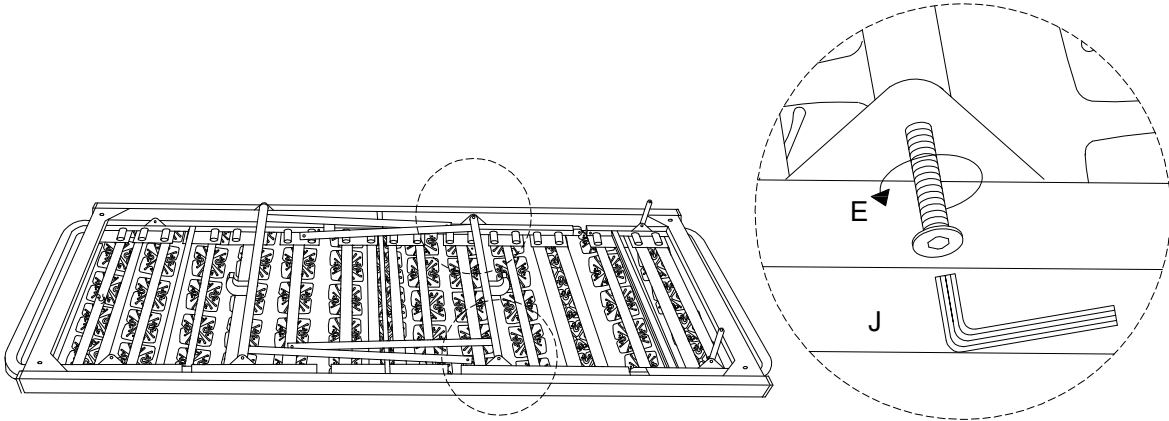


x 1

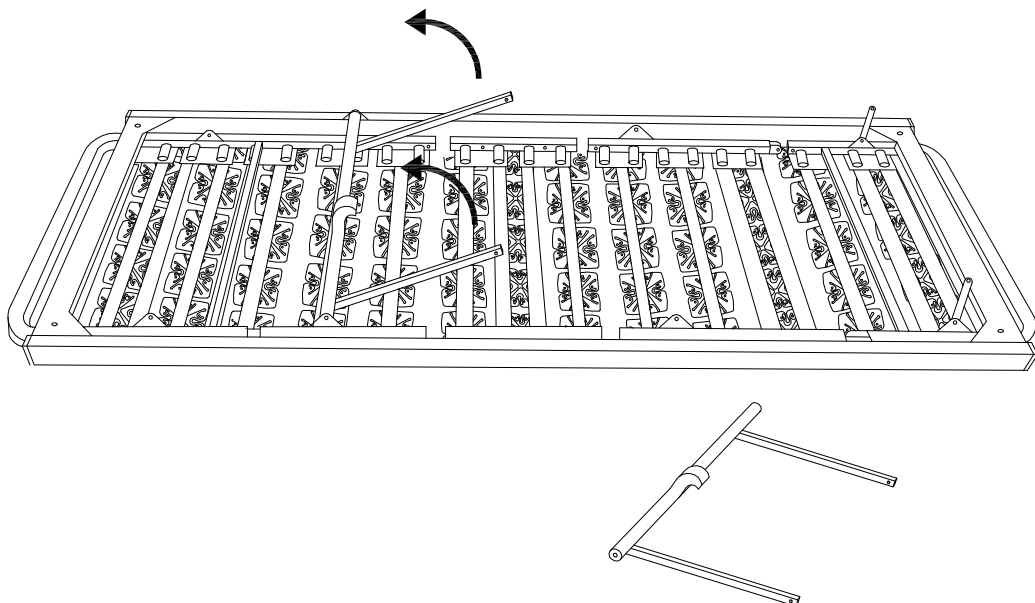
J



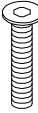
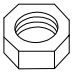
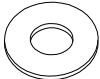

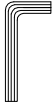
x 1

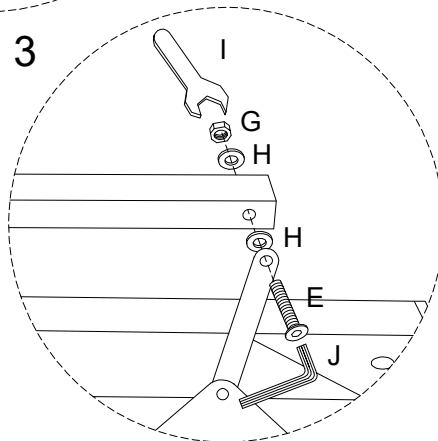
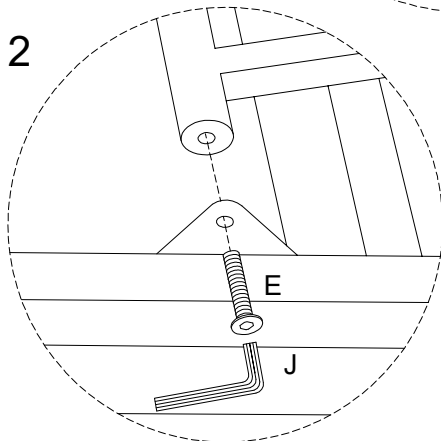
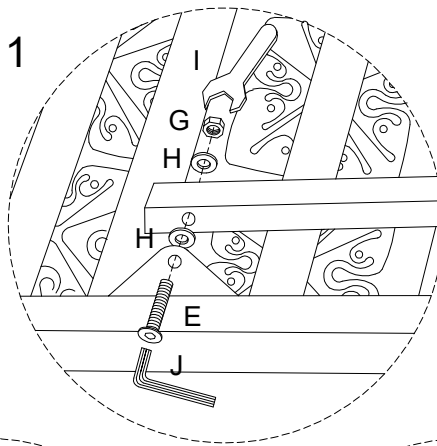
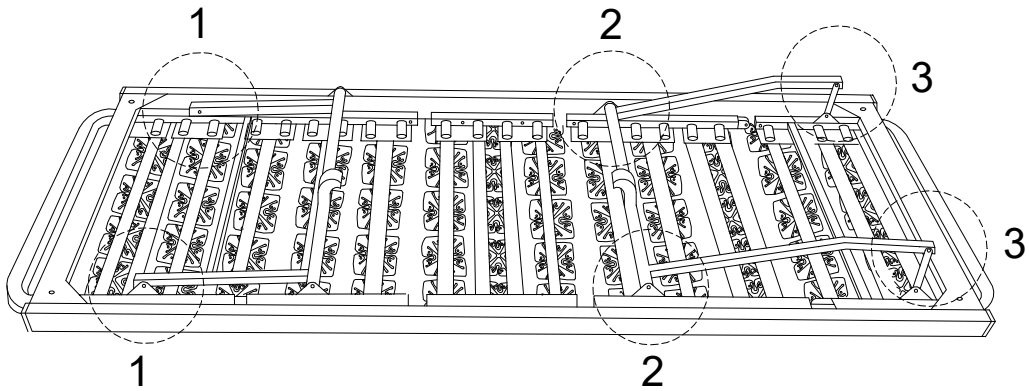


2

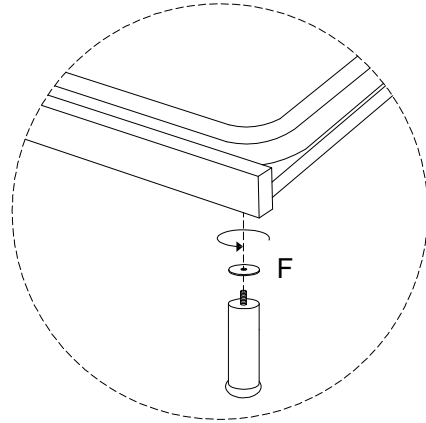
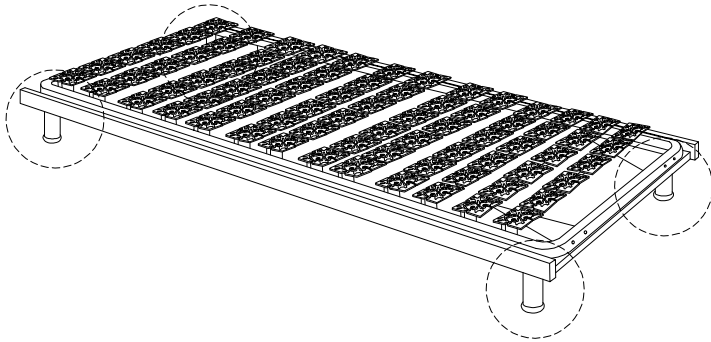
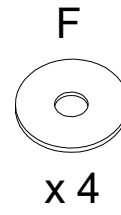
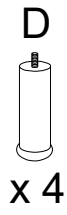


3

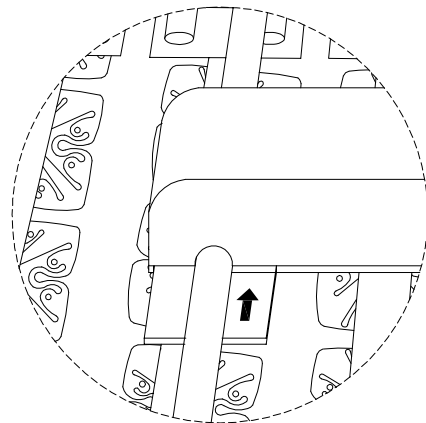
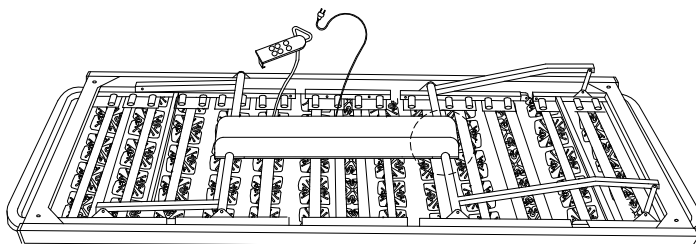
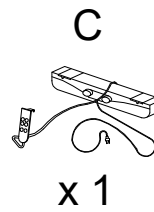
 E M8 x 25 x 6	 G x 4	 H x 8	 I x 1	 J x 1
--	---	---	---	---



4



5



6

