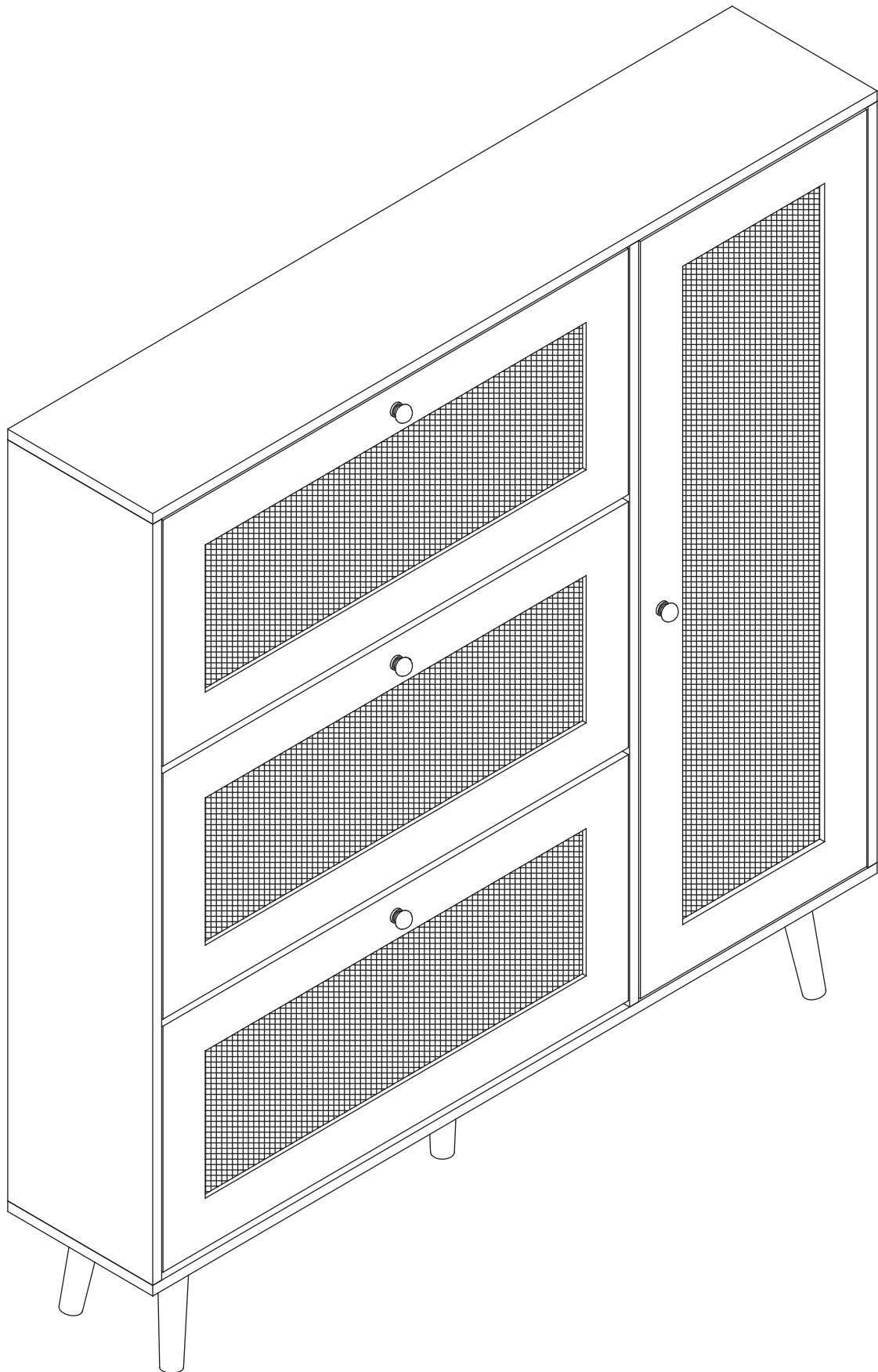
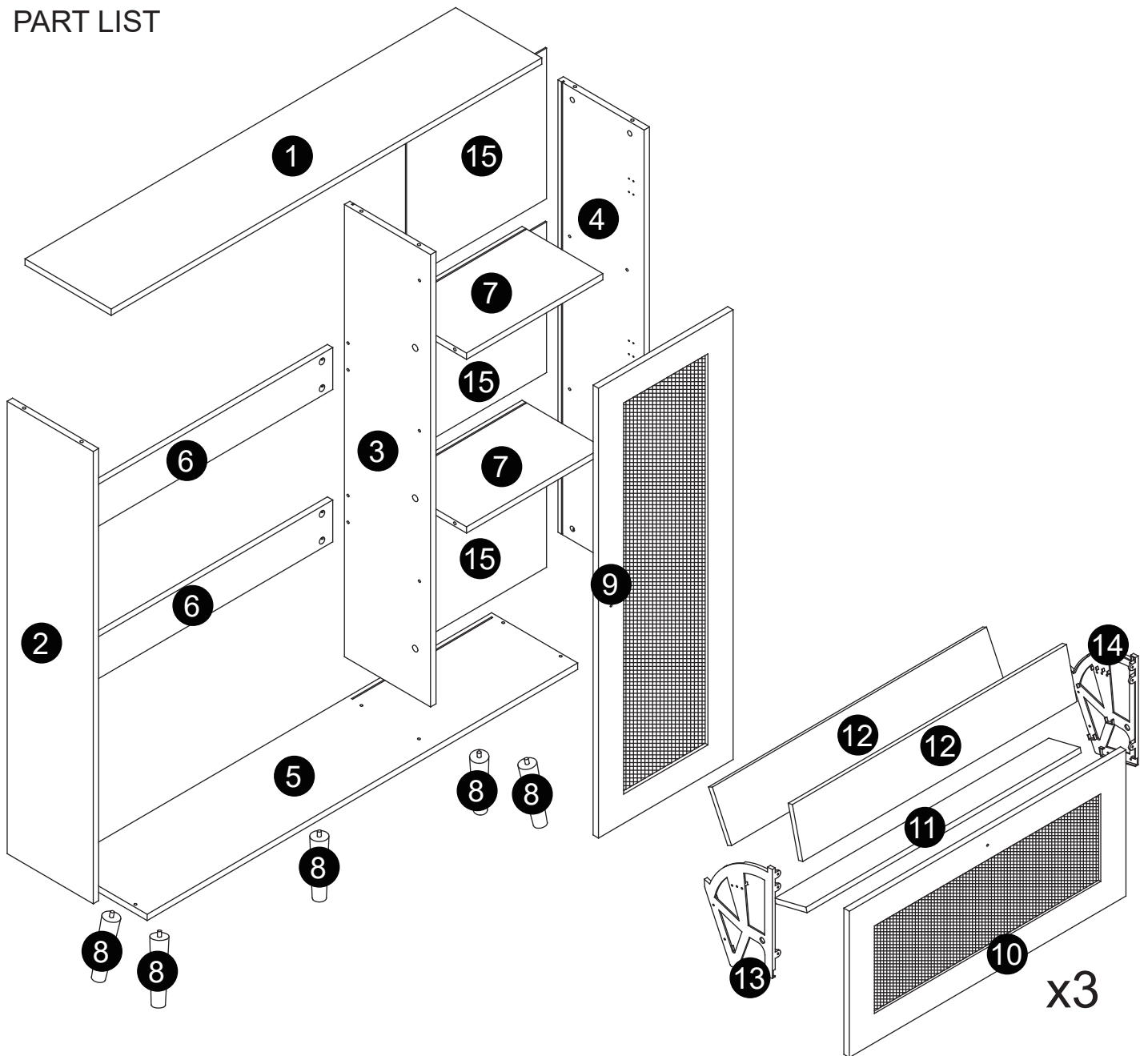


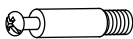

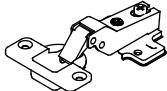
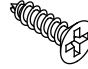


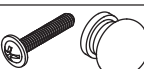


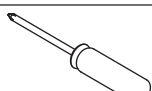

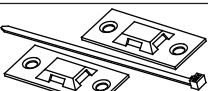
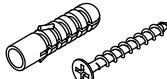
ASSEMBLY INSTRUCTION



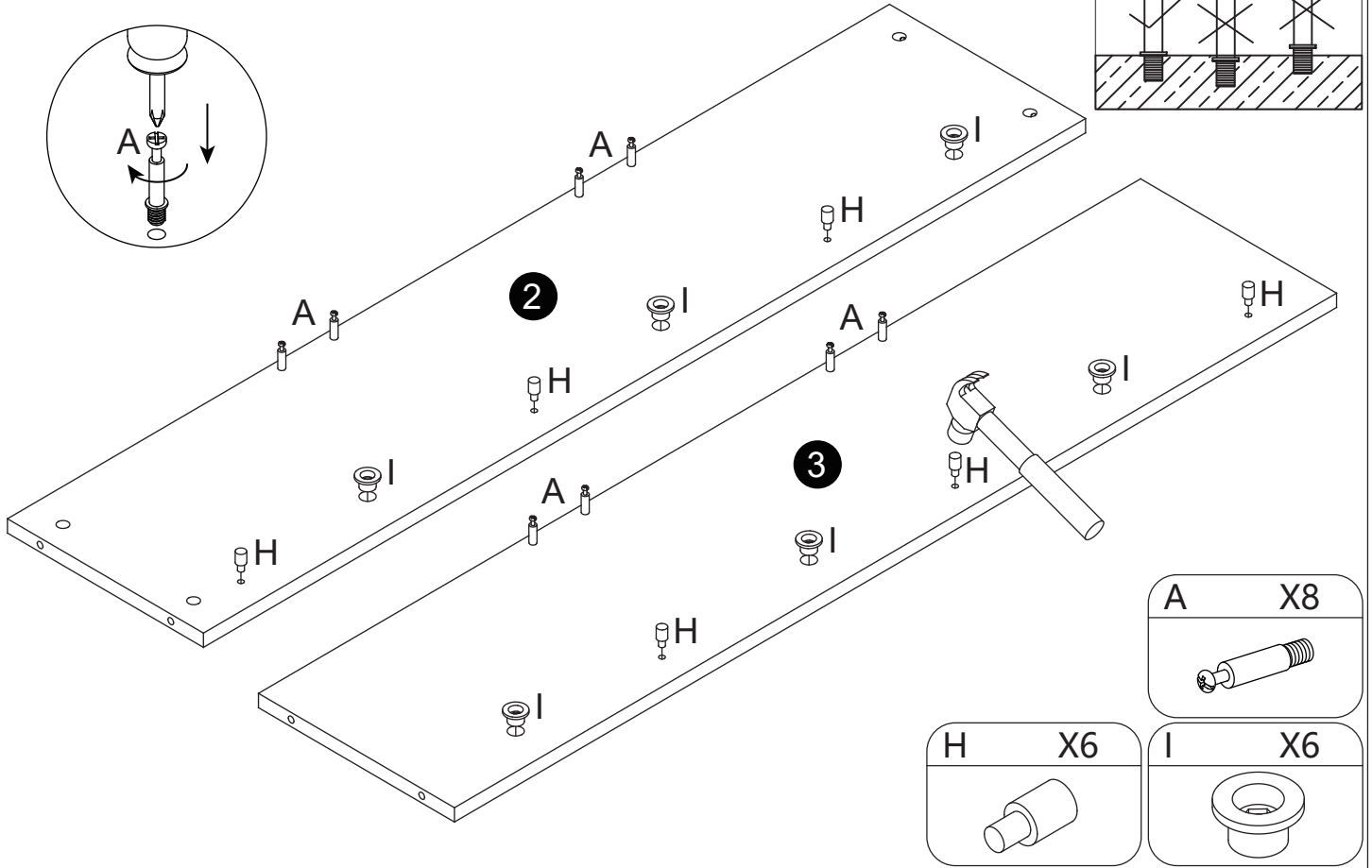
PART LIST



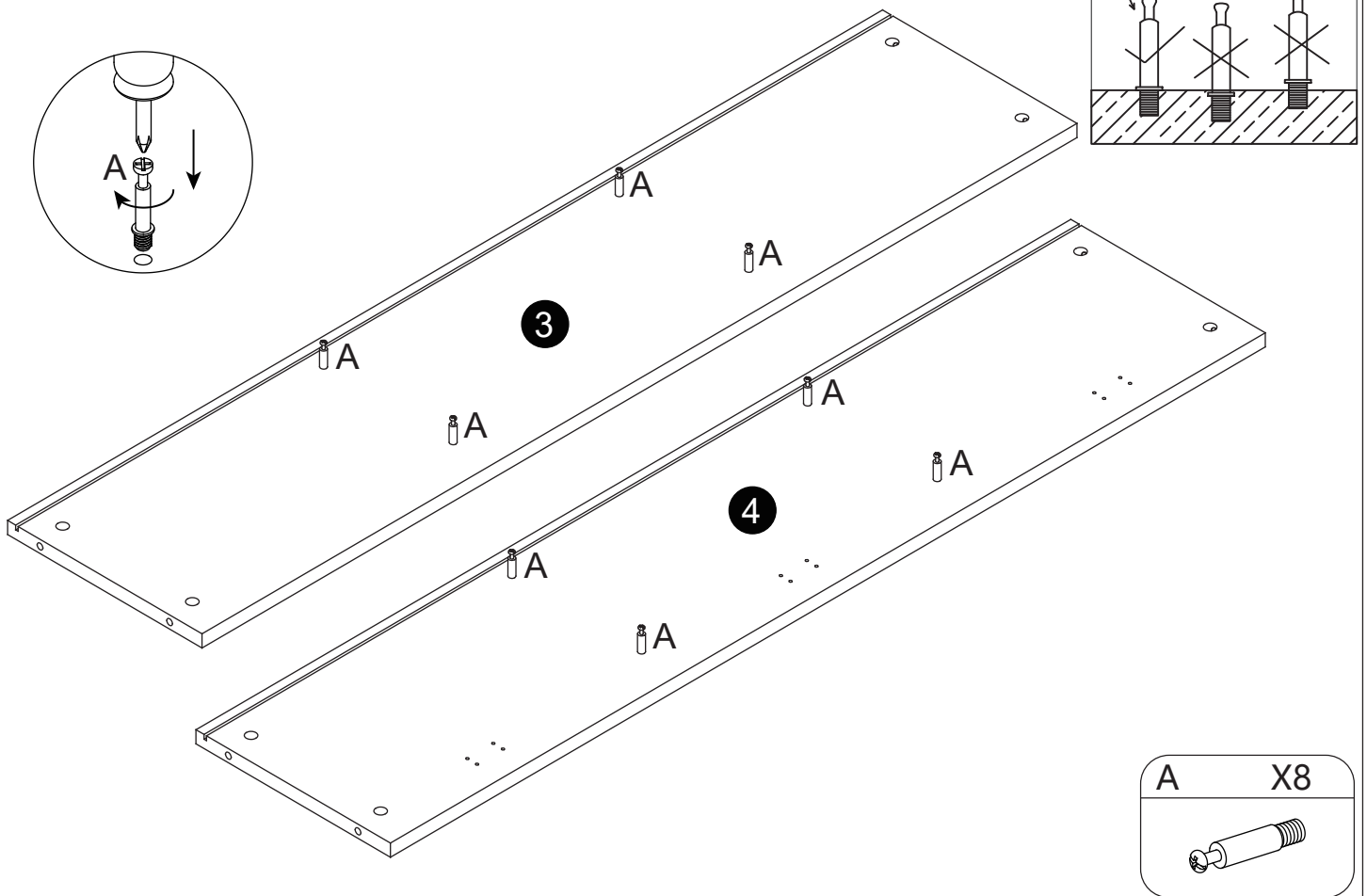
HARDWARE LIST

<p>A X28</p>  <p>M6*40mm</p>	<p>B X28</p>  <p>15*11mm</p>	<p>C X3</p> 	<p>D X100</p>  <p>M3.5*14mm</p>	<p>E X4</p>  <p>60*80mm</p>
<p>F X1</p>  <p>40*40mm</p>	<p>G X4</p>  <p>M4*18mm</p>	<p>H X6</p> 	<p>I X6</p> 	<p>J X1</p> 
<p>K X6</p> 	<p>L X2</p> 	<p>M X4</p> 		

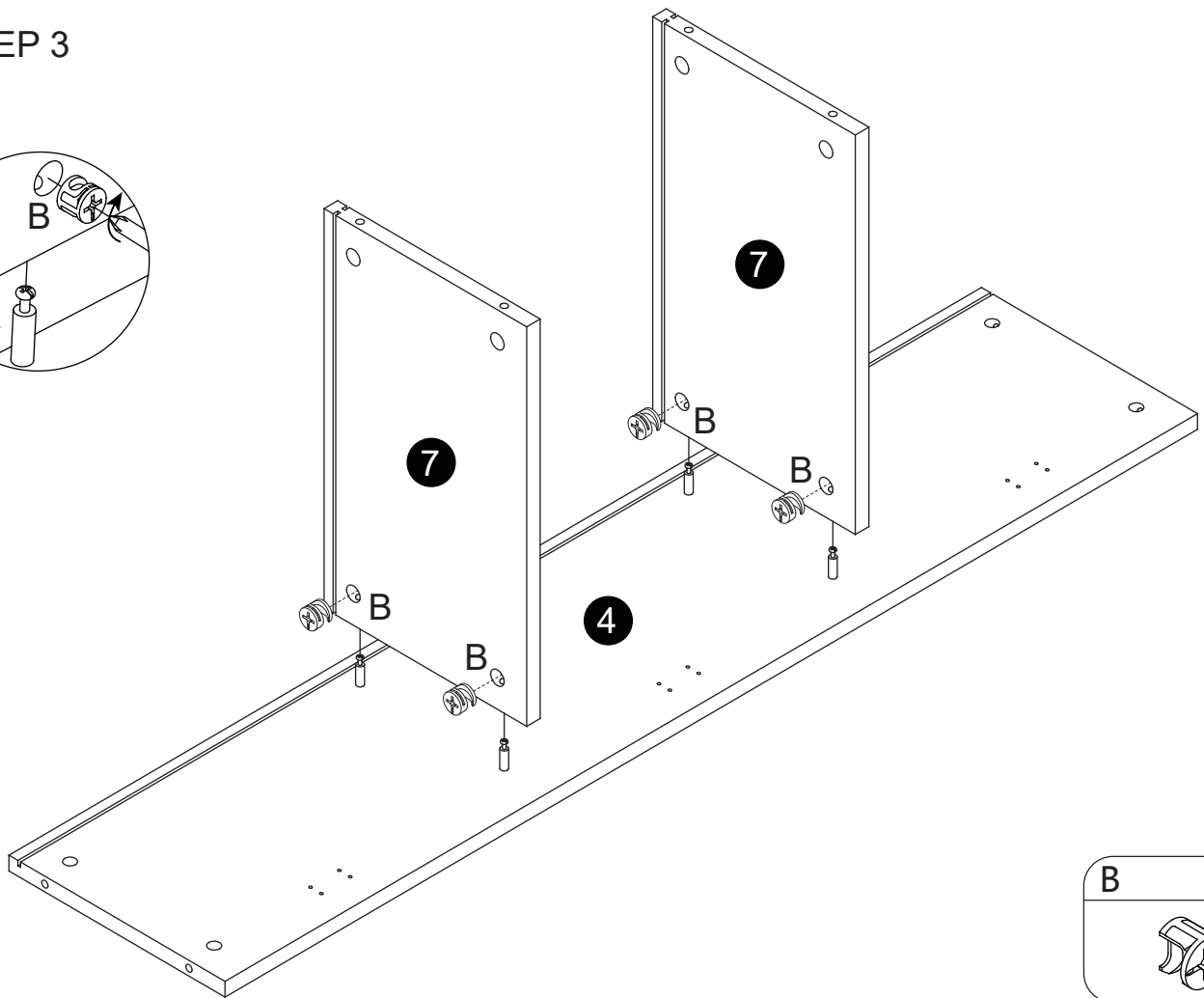
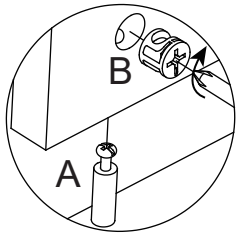
STEP 1



STEP 2



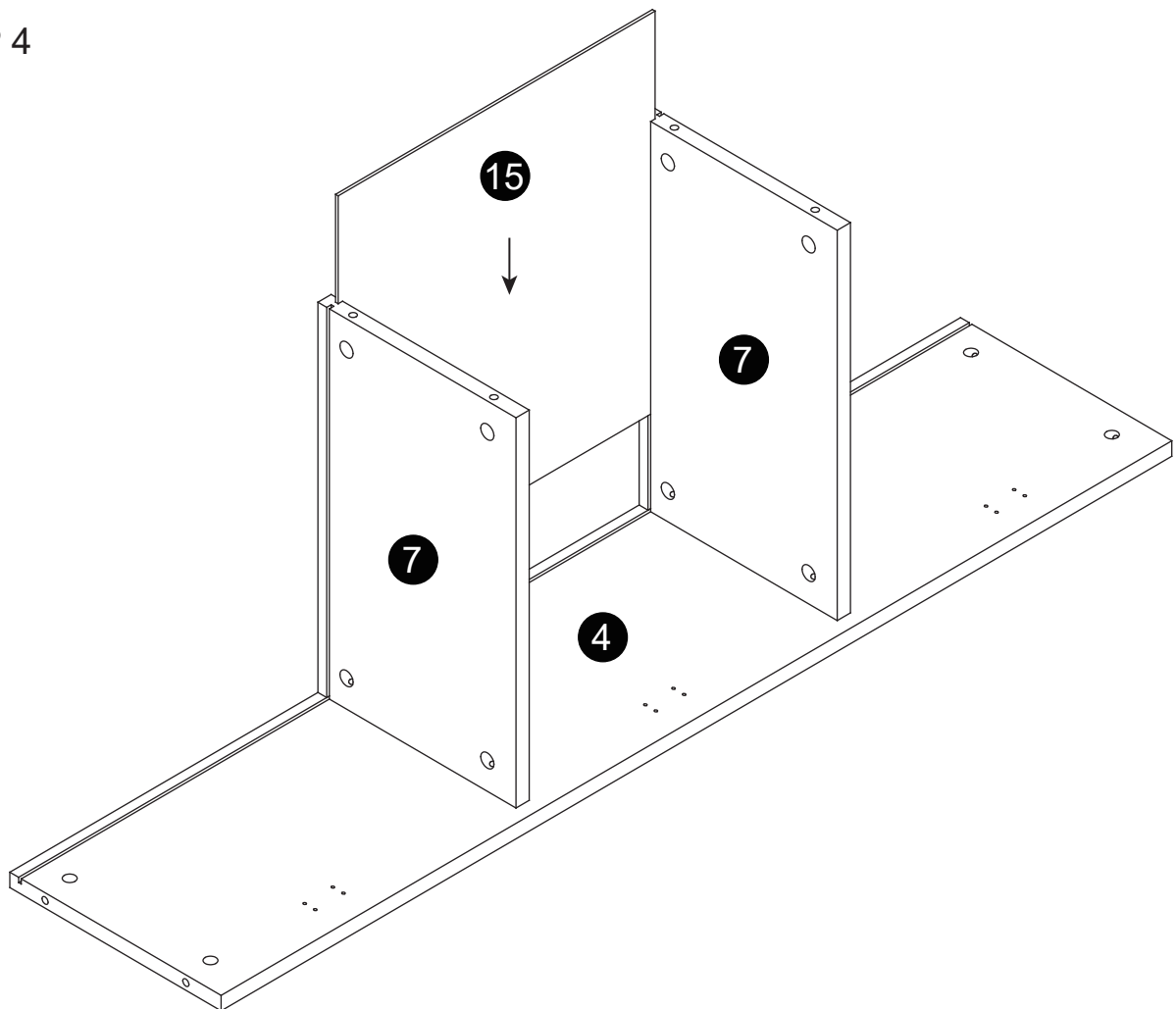
STEP 3



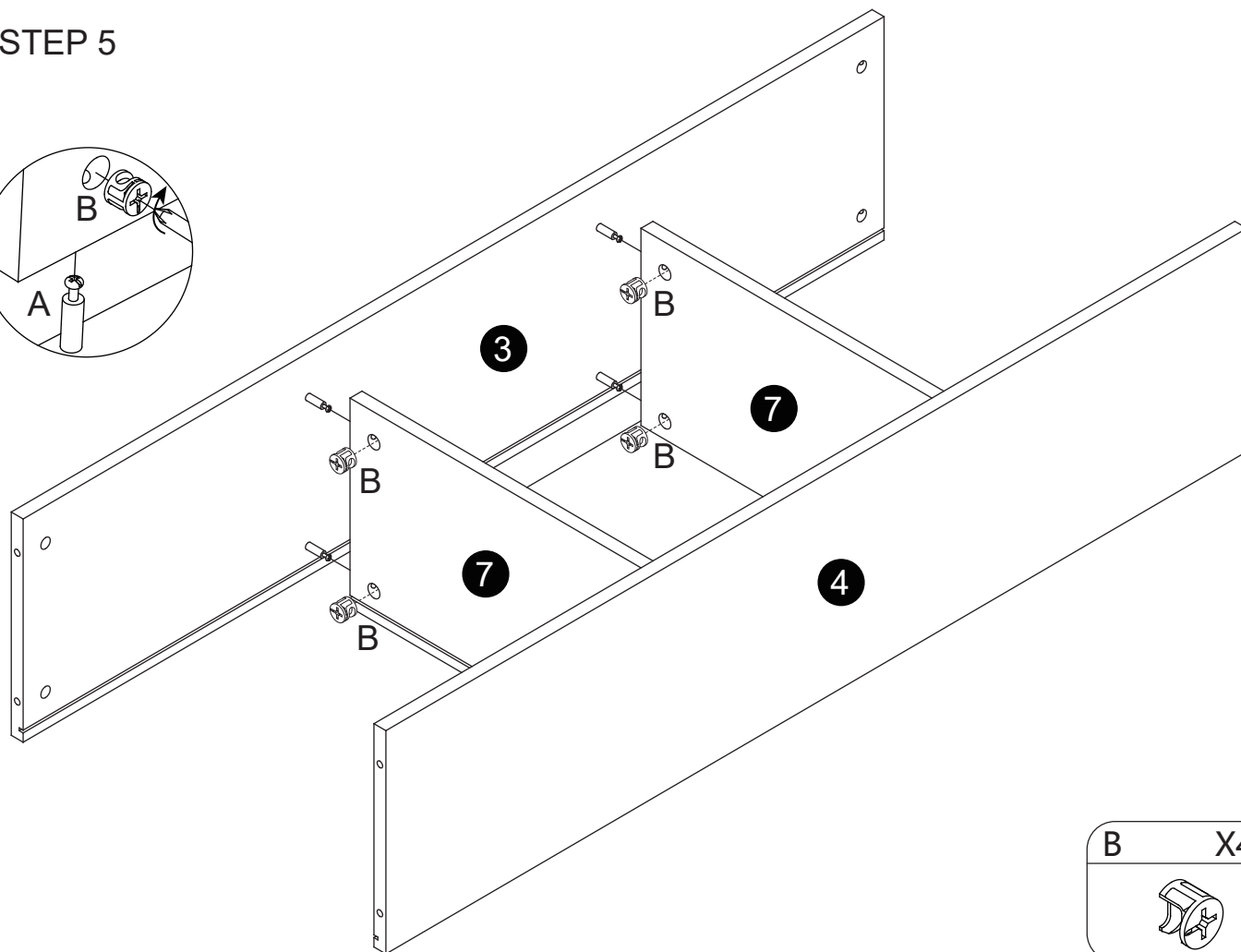
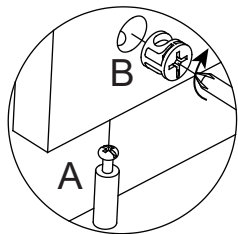
B X4



STEP 4

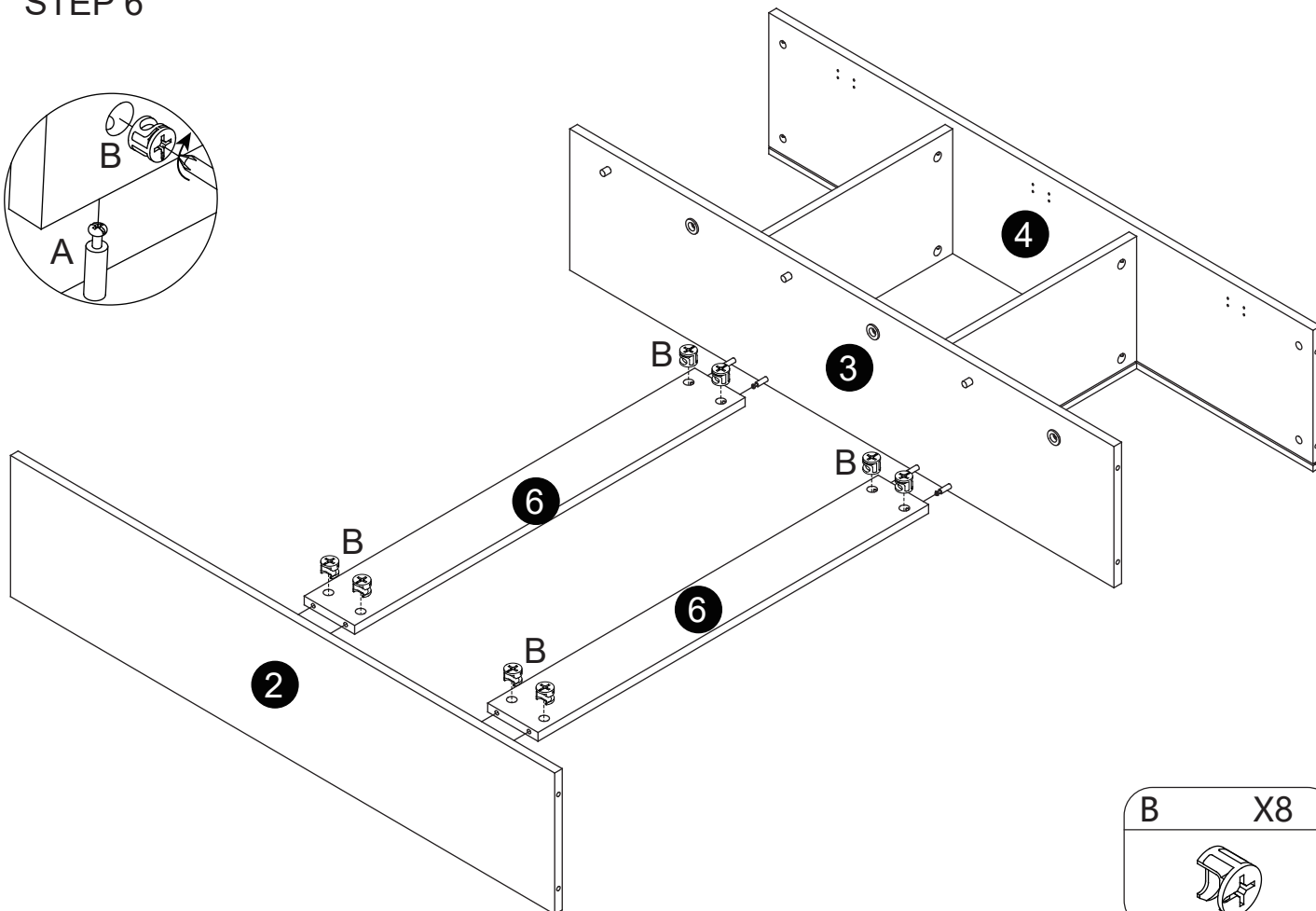
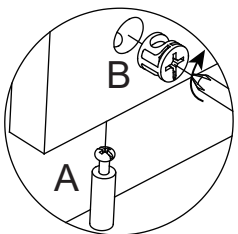


STEP 5



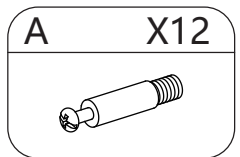
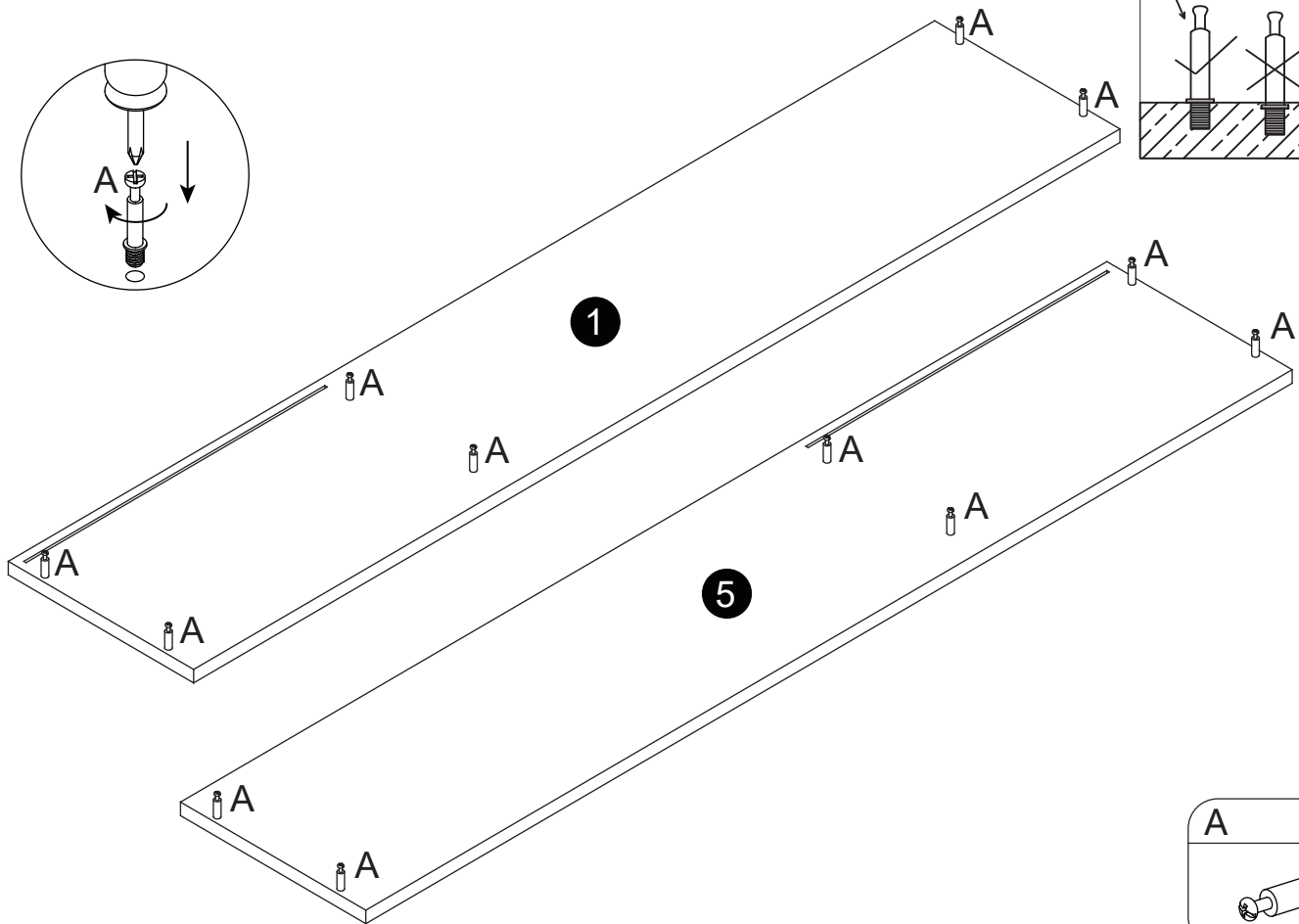
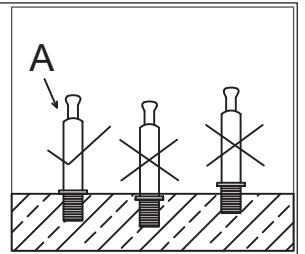
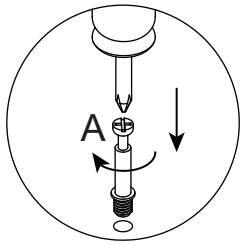
B	X4

STEP 6

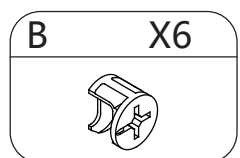
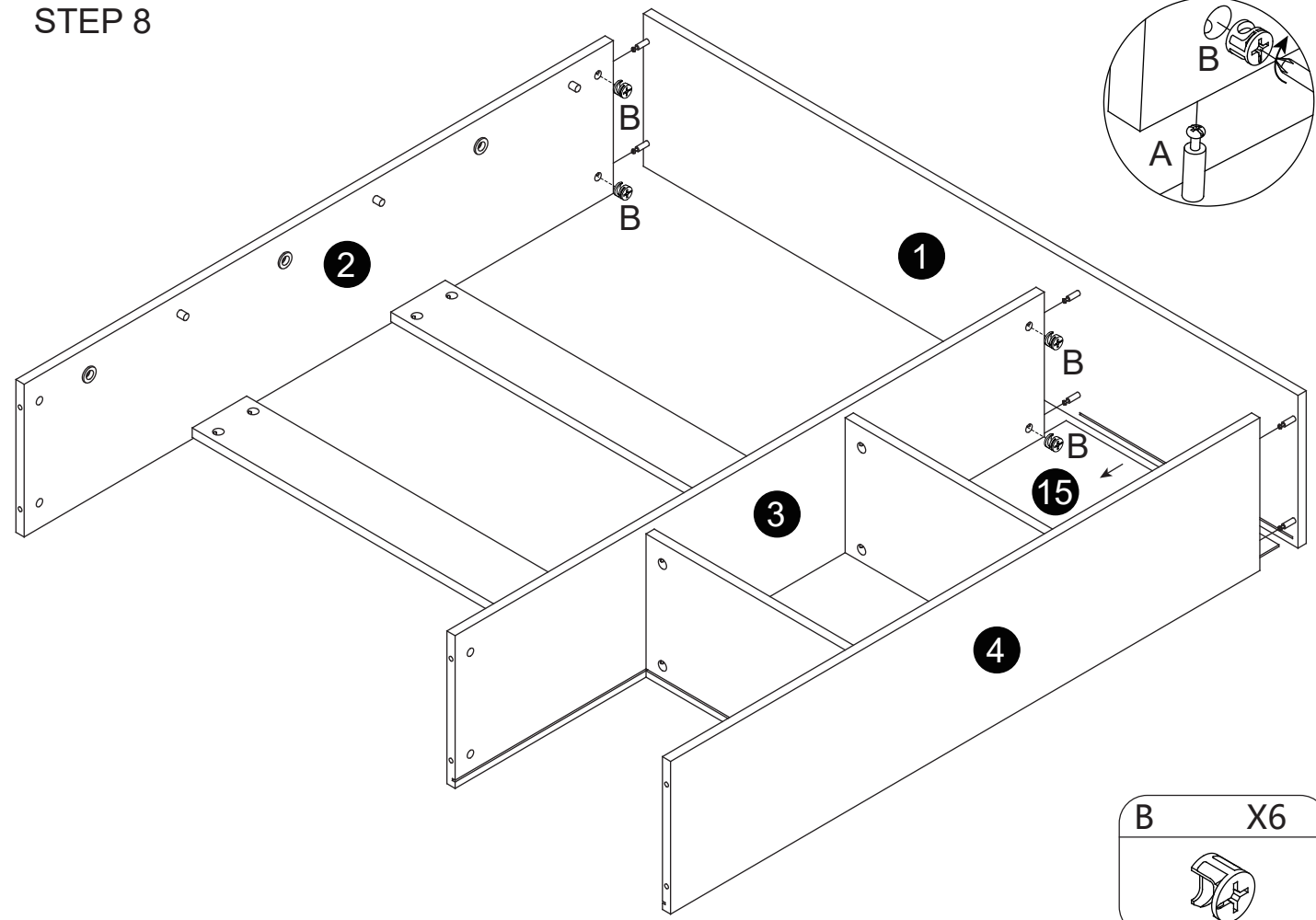
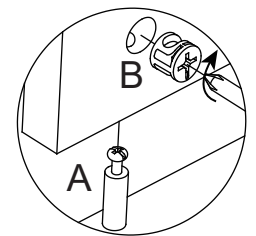


B	X8

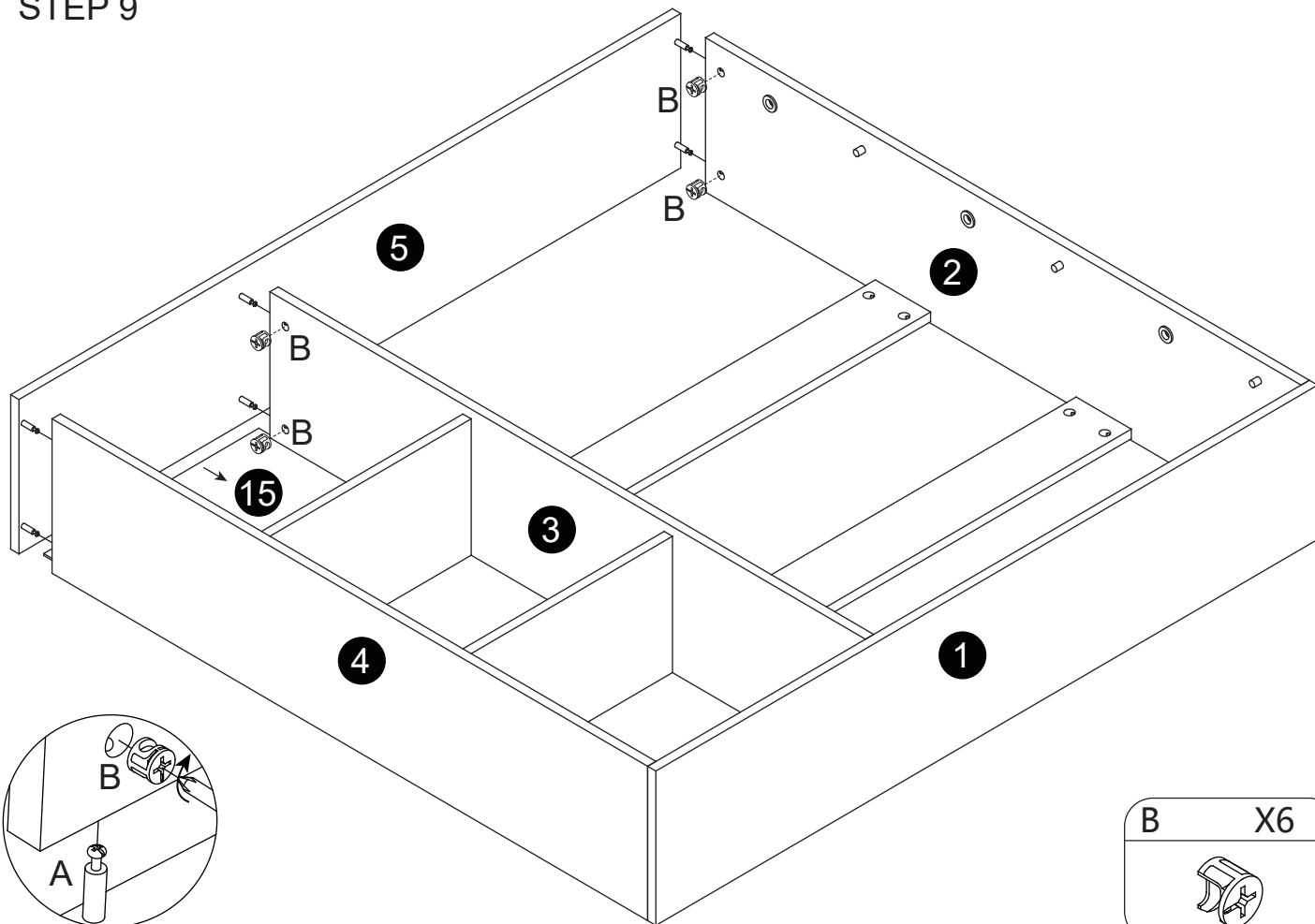
STEP 7



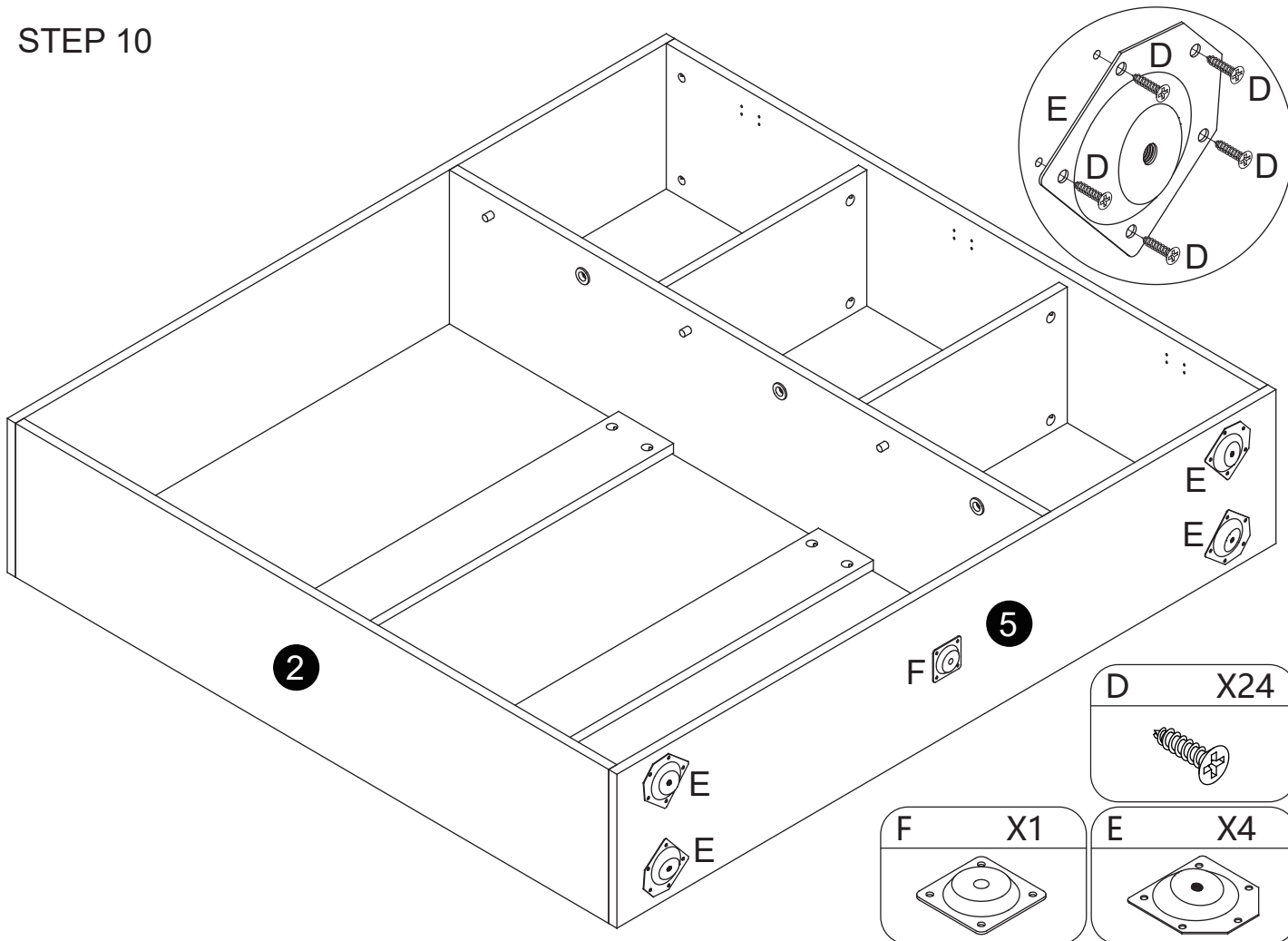
STEP 8



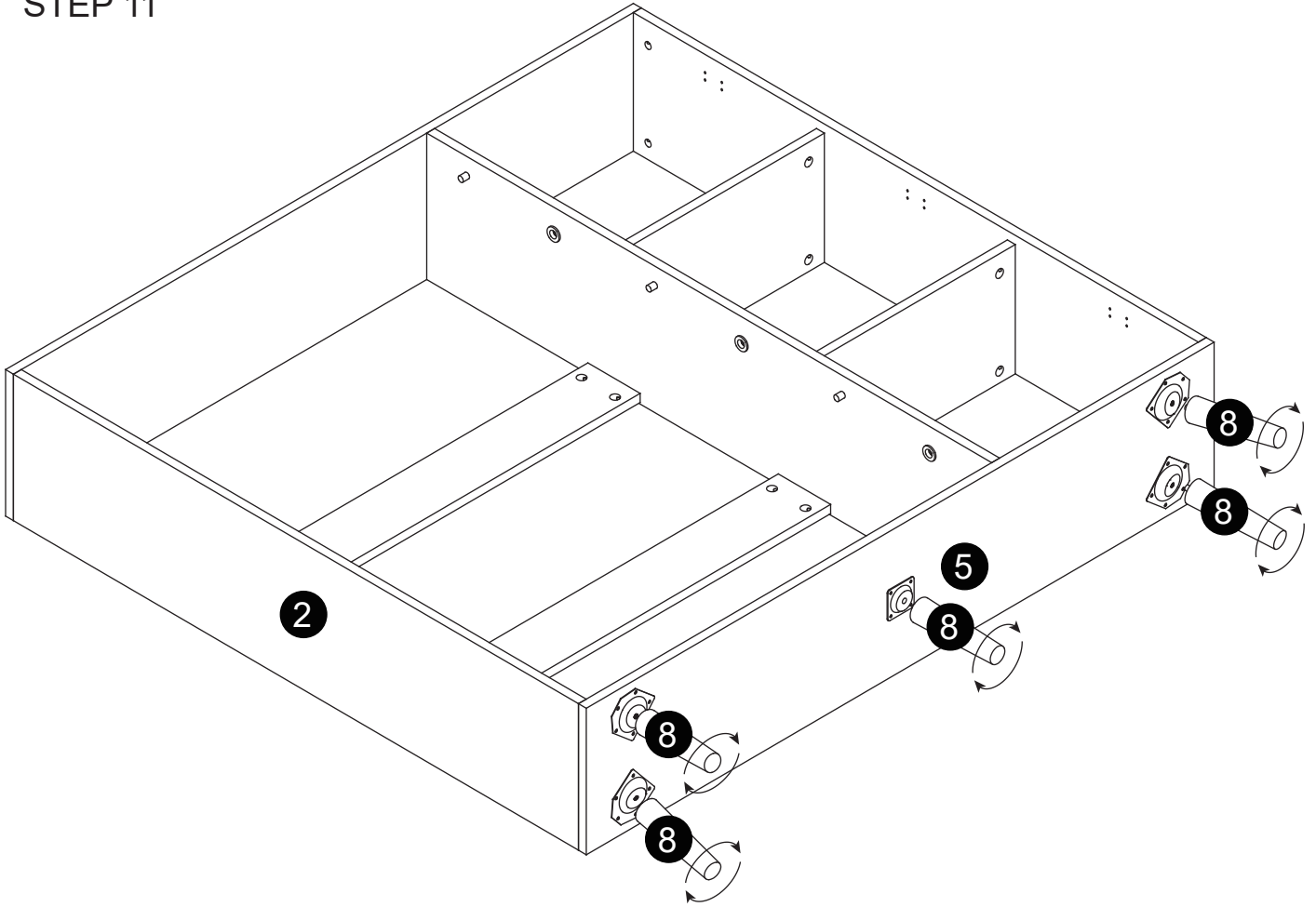
STEP 9



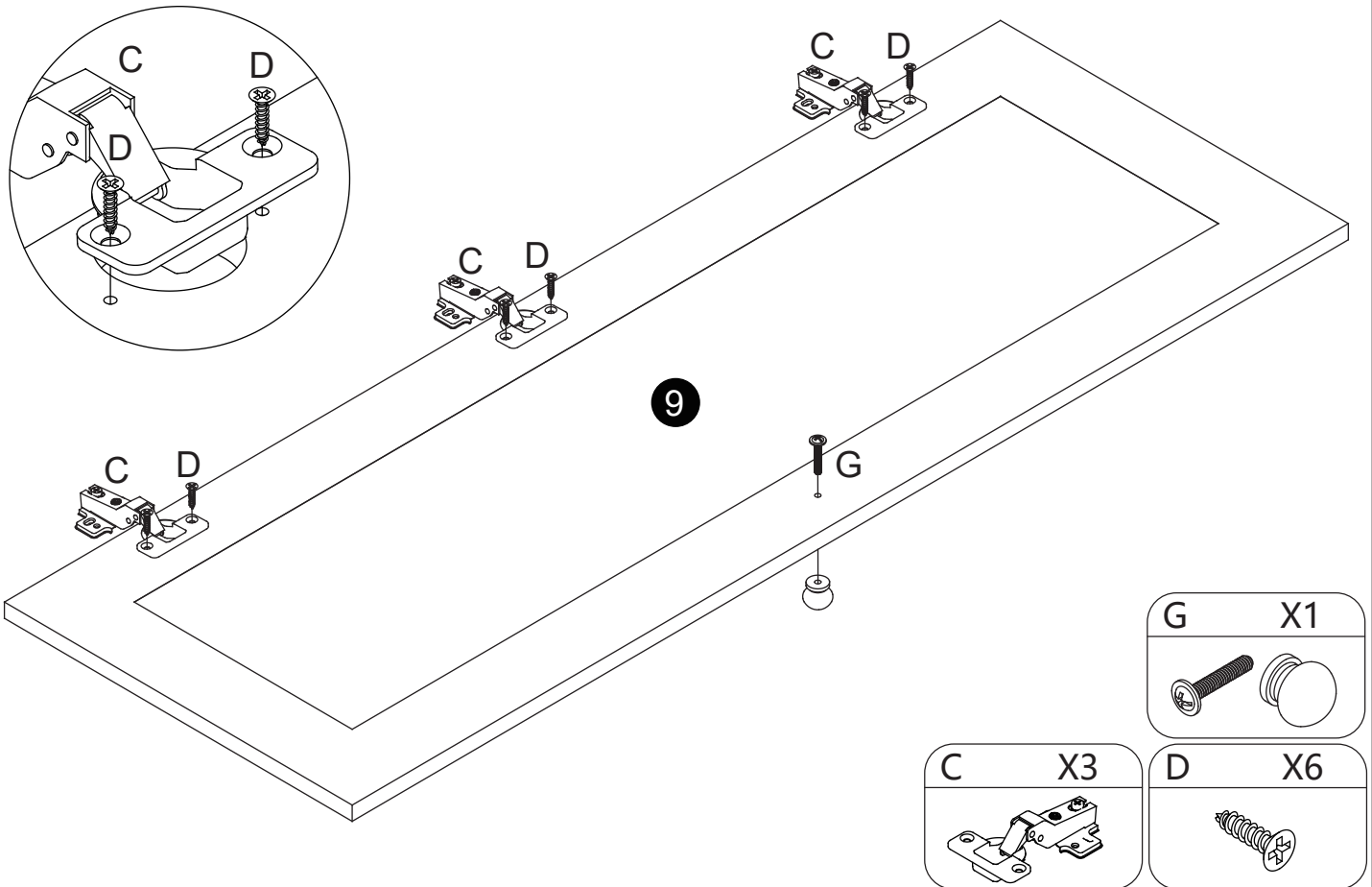
STEP 10



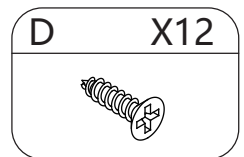
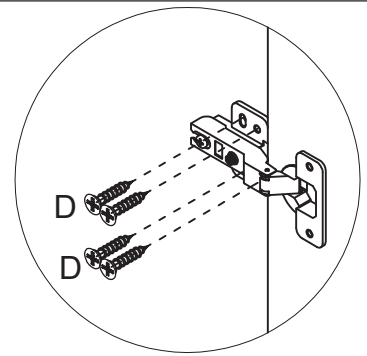
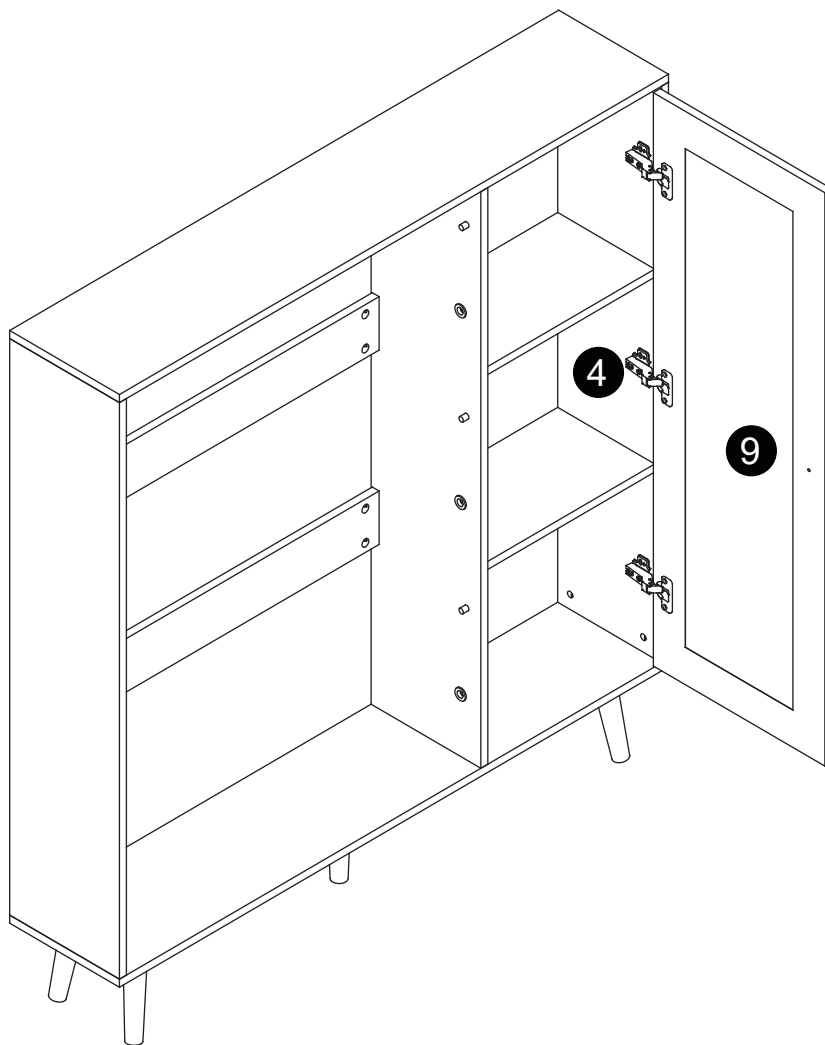
STEP 11



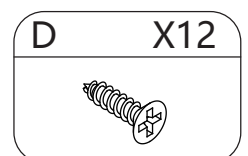
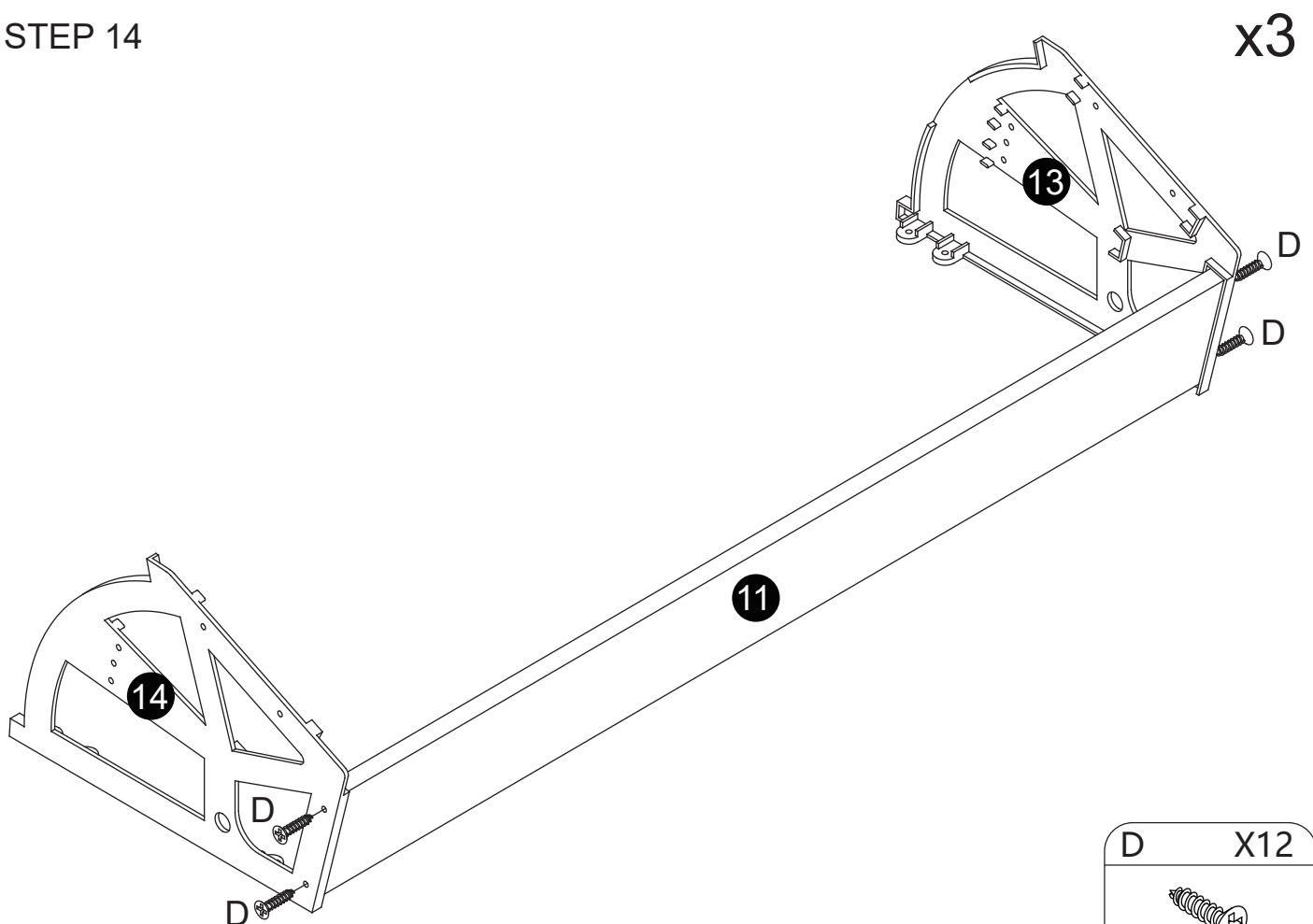
STEP 12



STEP 13

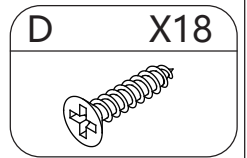
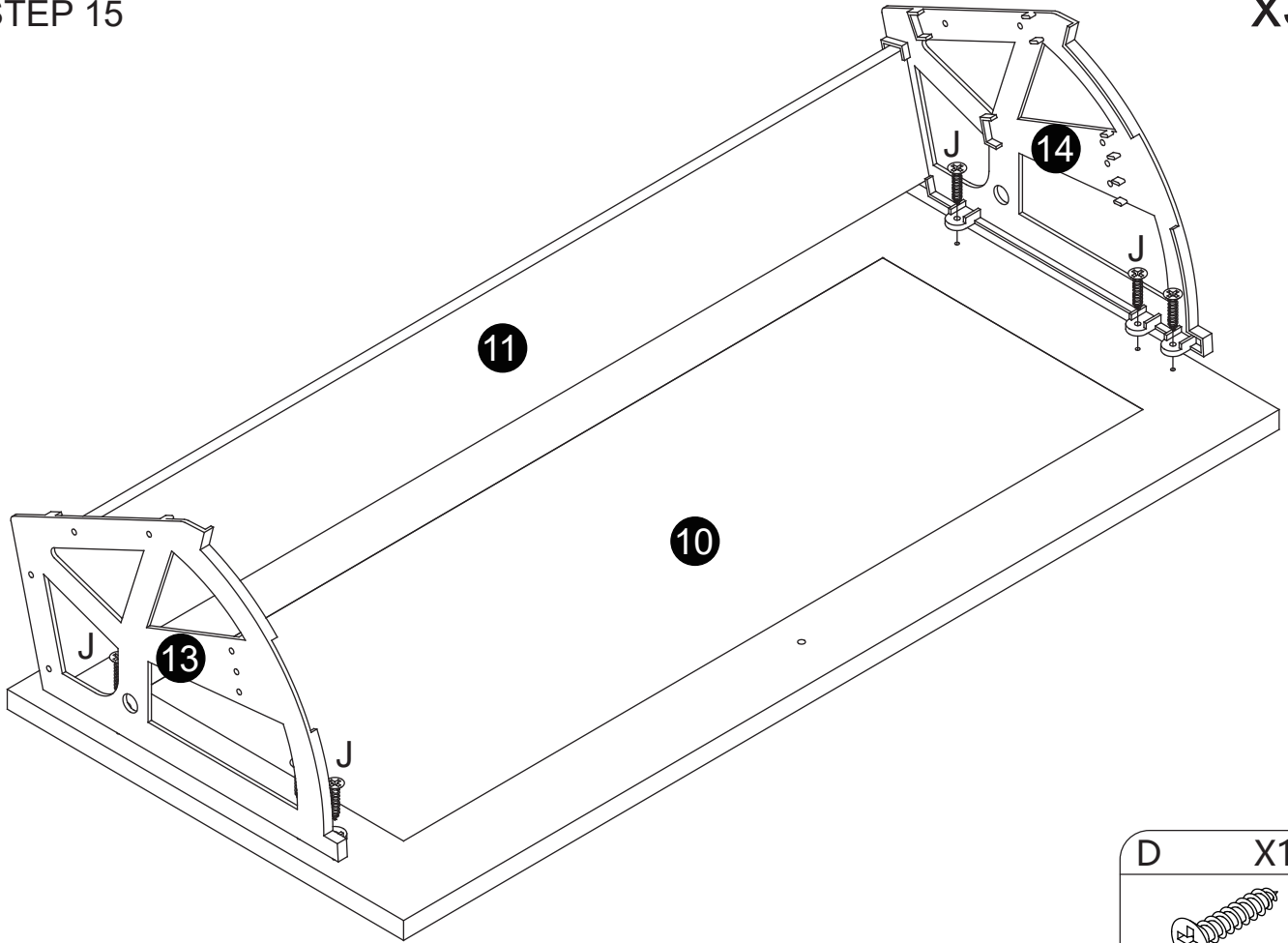


STEP 14



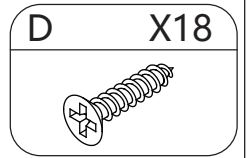
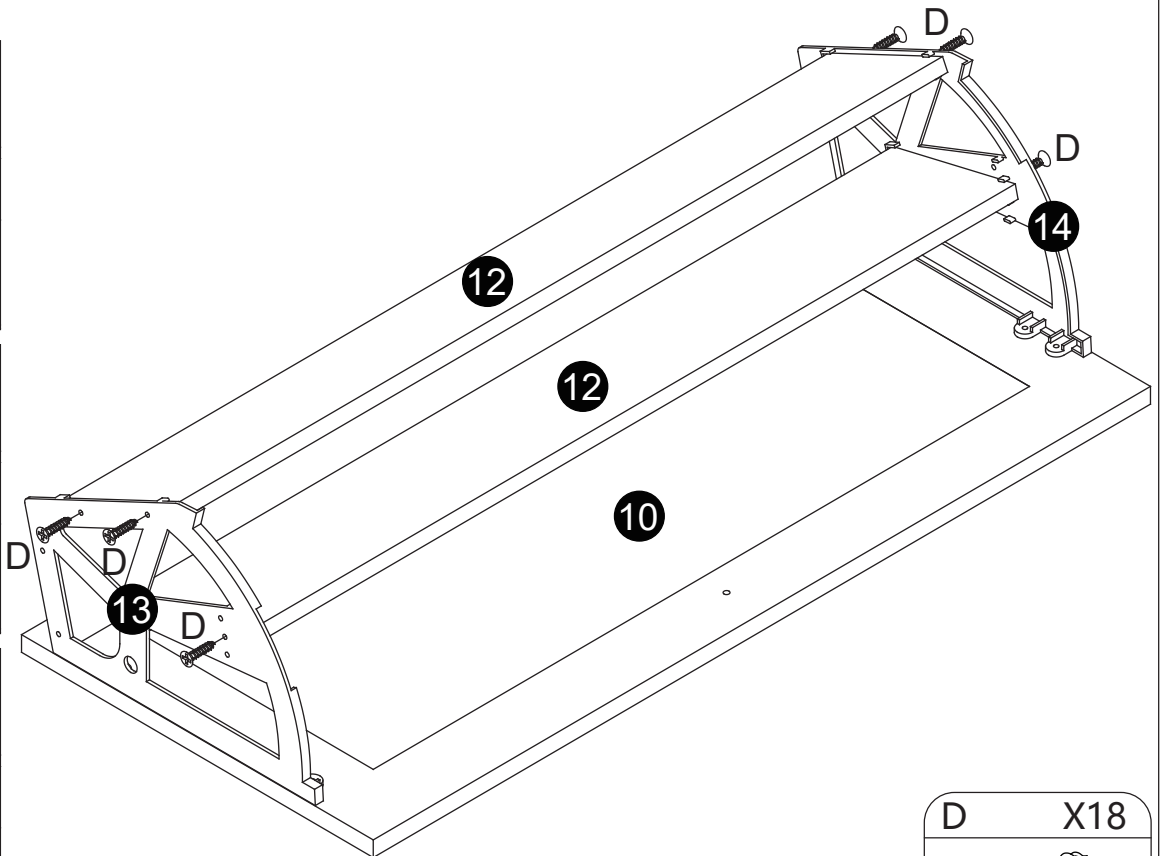
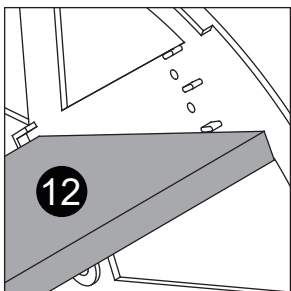
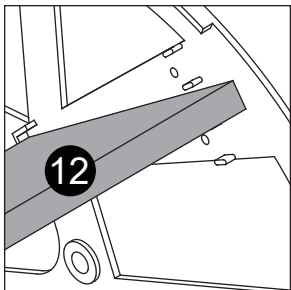
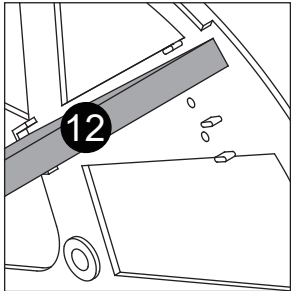
STEP 15

x3



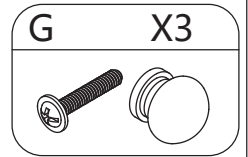
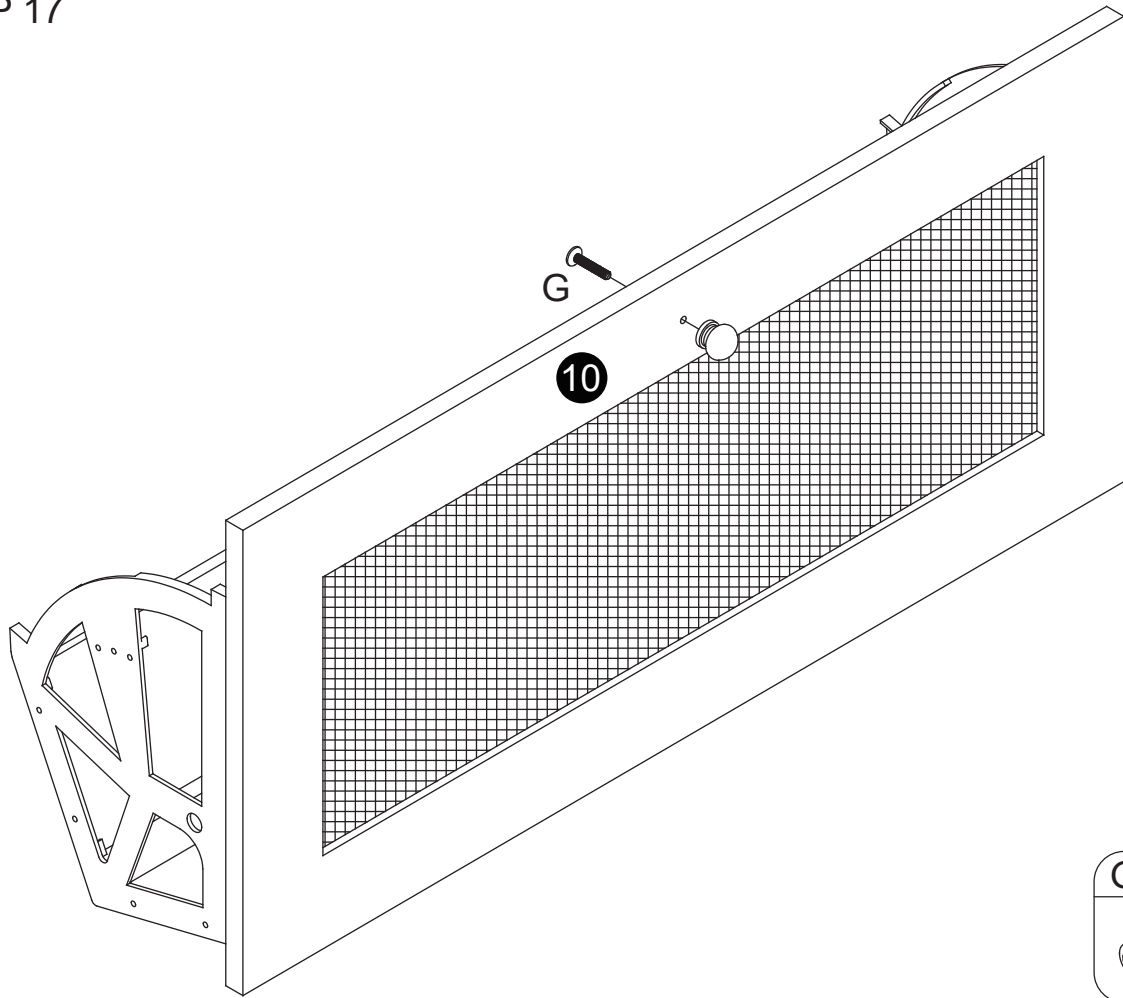
STEP 16

x3

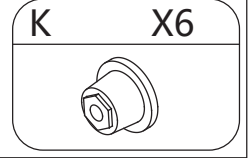
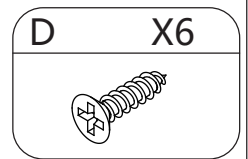
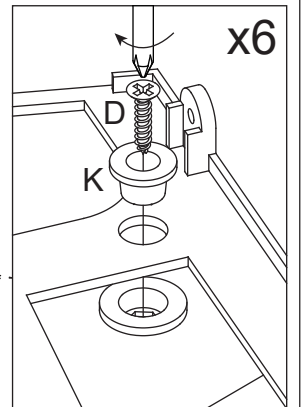
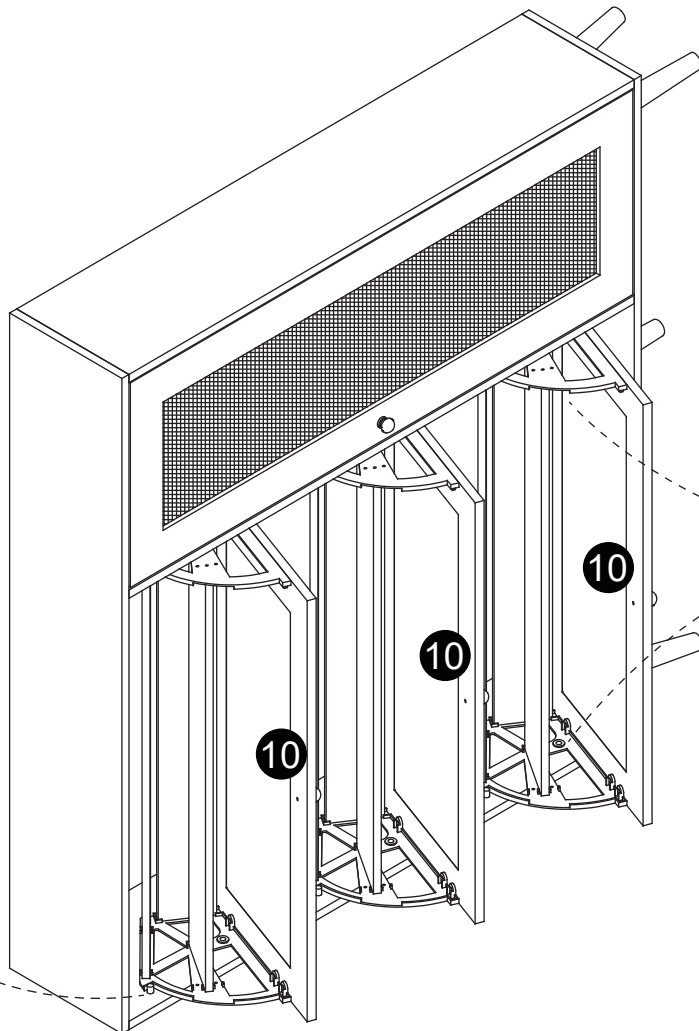


STEP 17

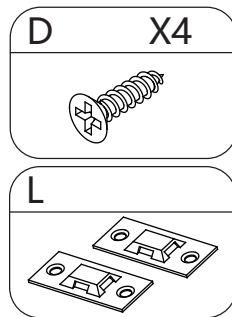
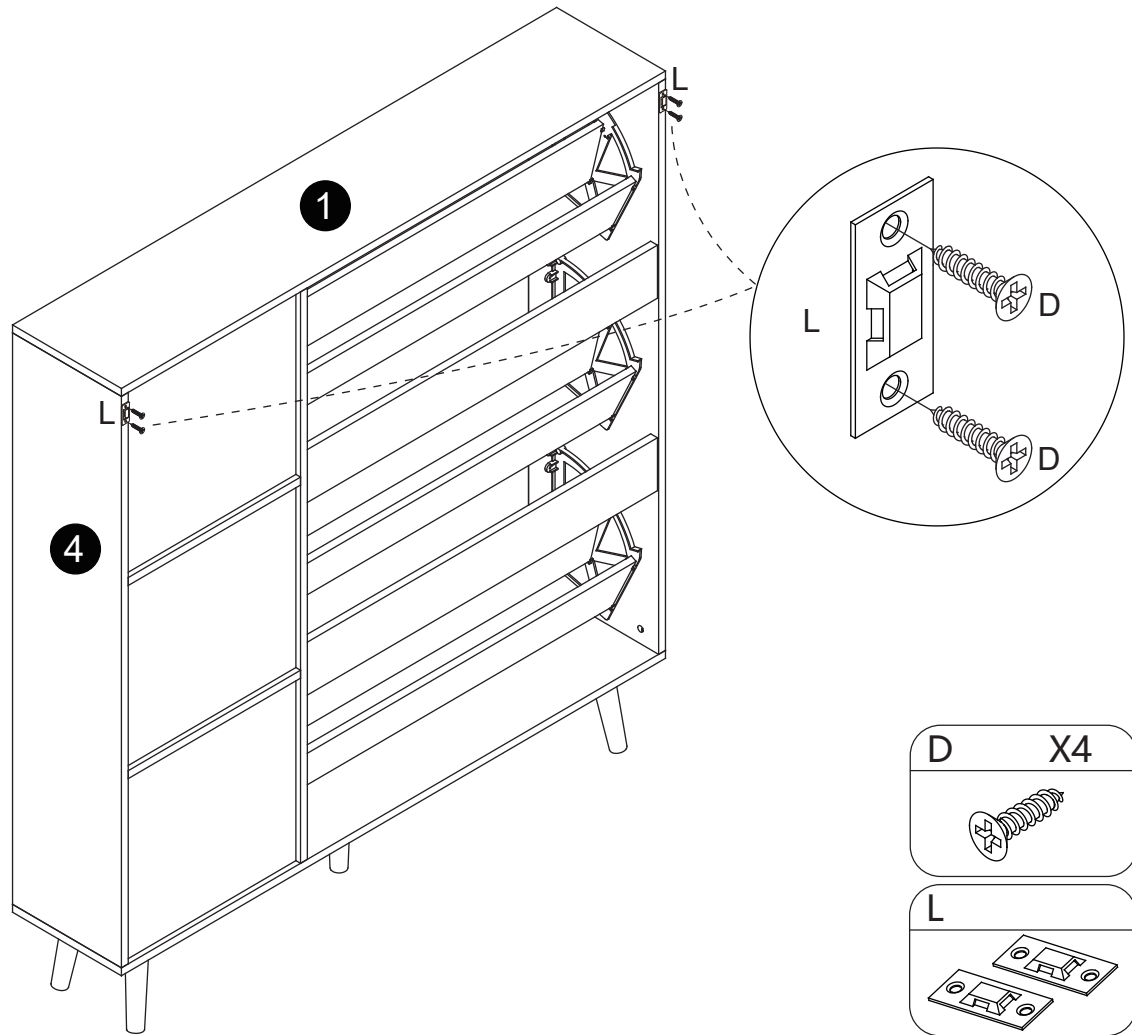
x3



STEP 18



STEP 19



STEP 20

