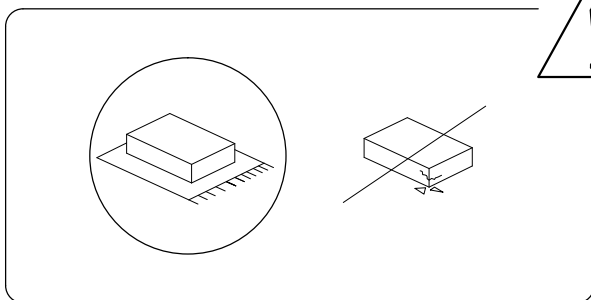
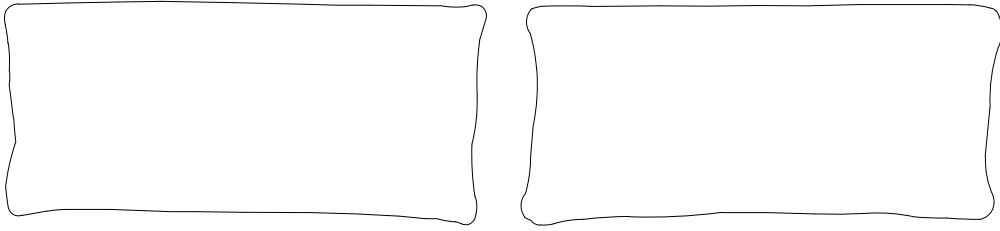
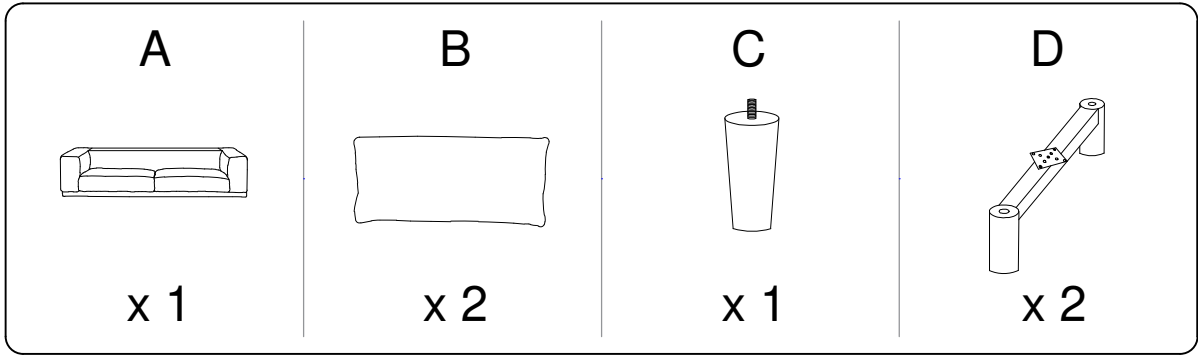


15'

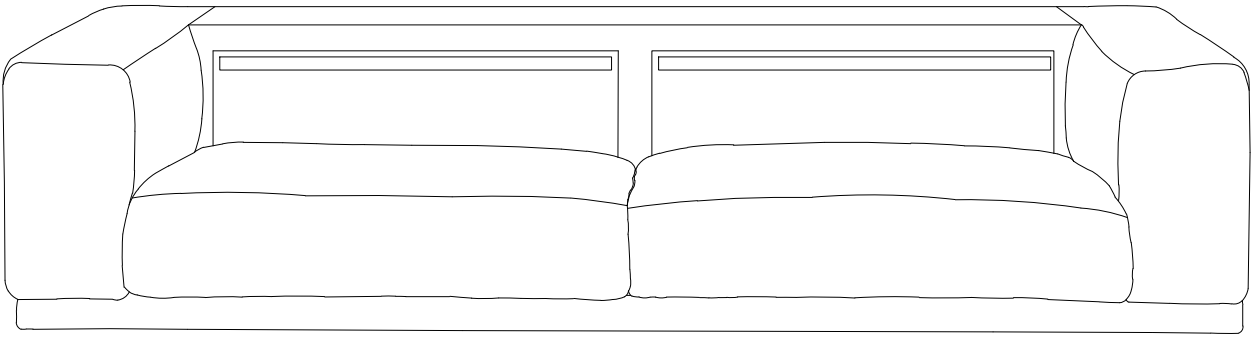


1

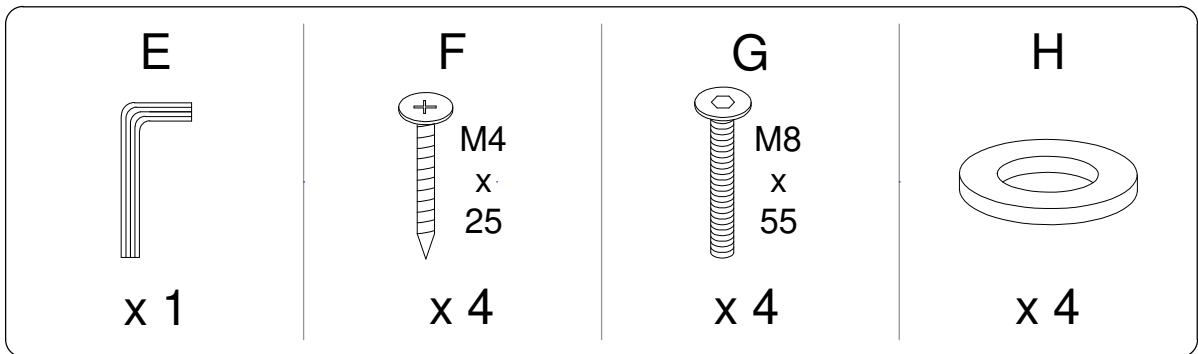
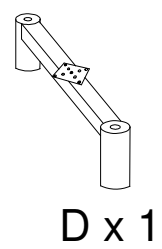
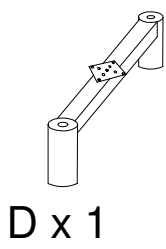
1/4



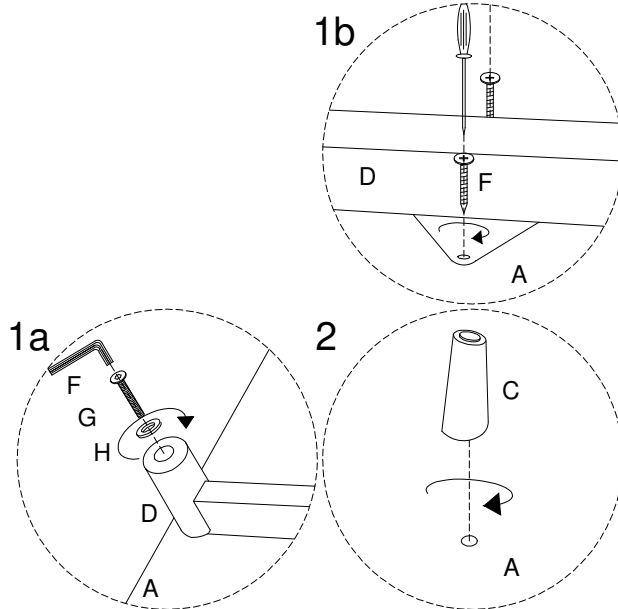
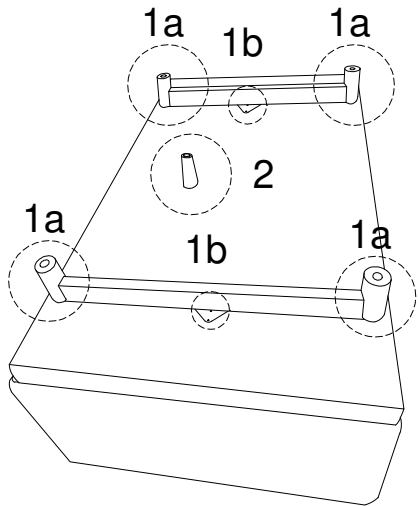
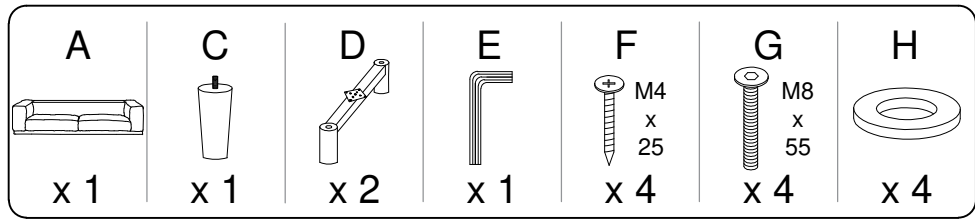
**B x 2**



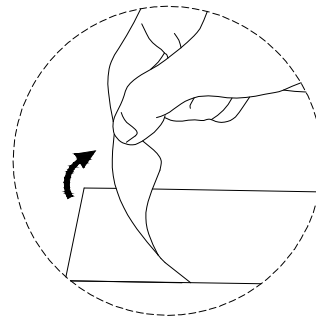
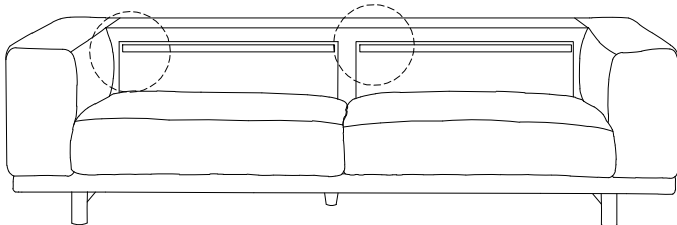
**A x 1**



1



2



3

