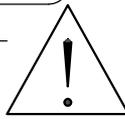
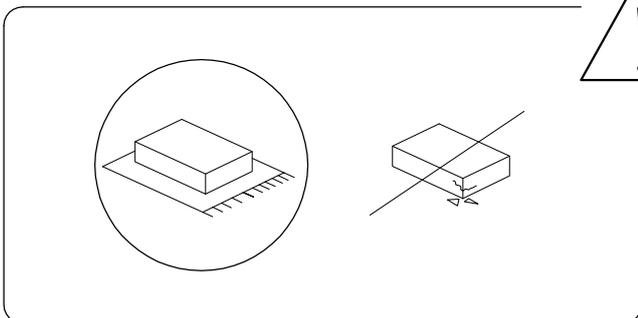


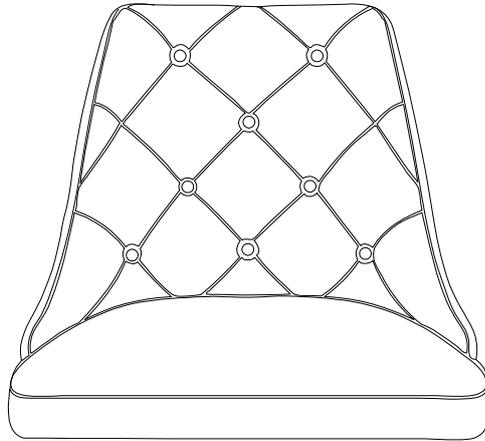
15'



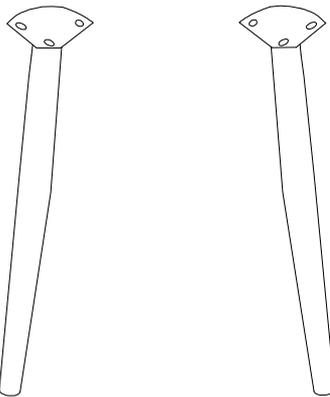
1

1/3

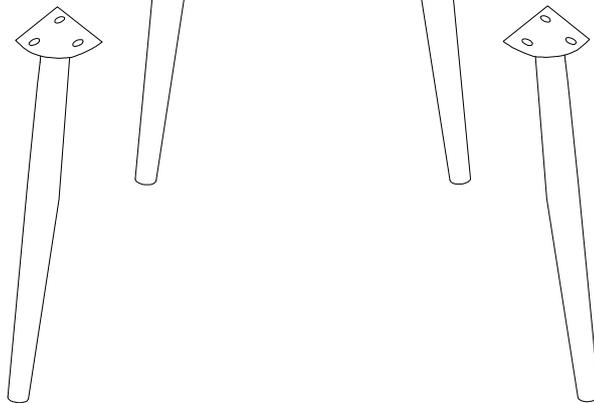
A



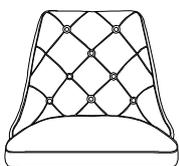
B x 2



C x 2



A



x 1

B



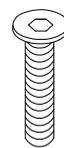
x 2

C



x 2

D



M6  
x  
20

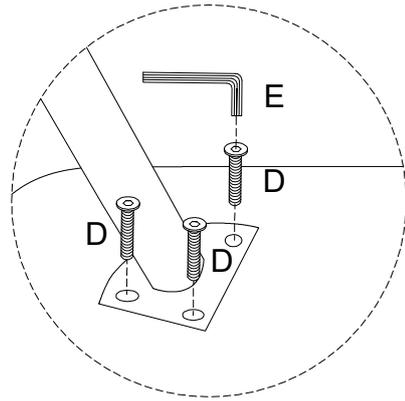
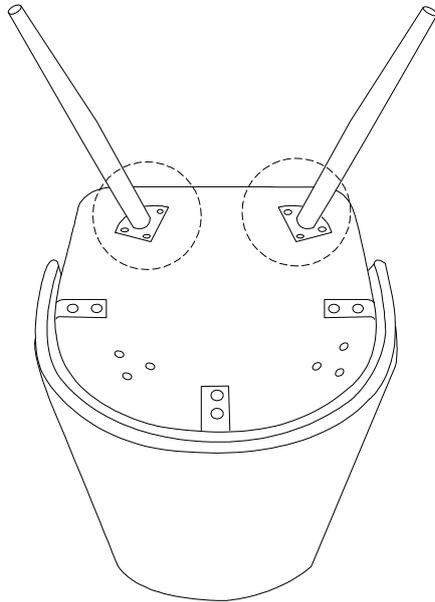
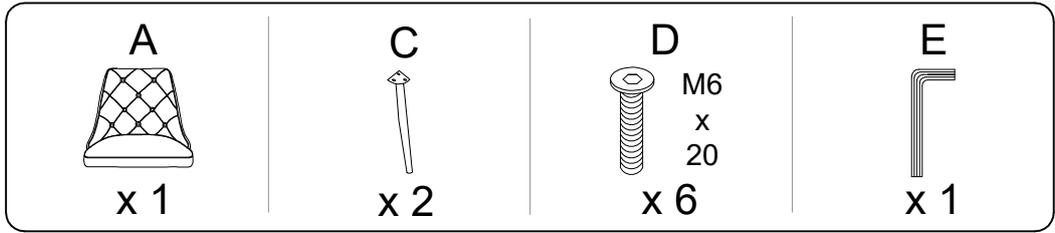
x 12

E



x 1

1



2

