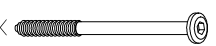
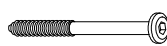
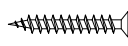



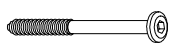



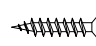

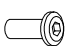
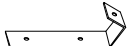




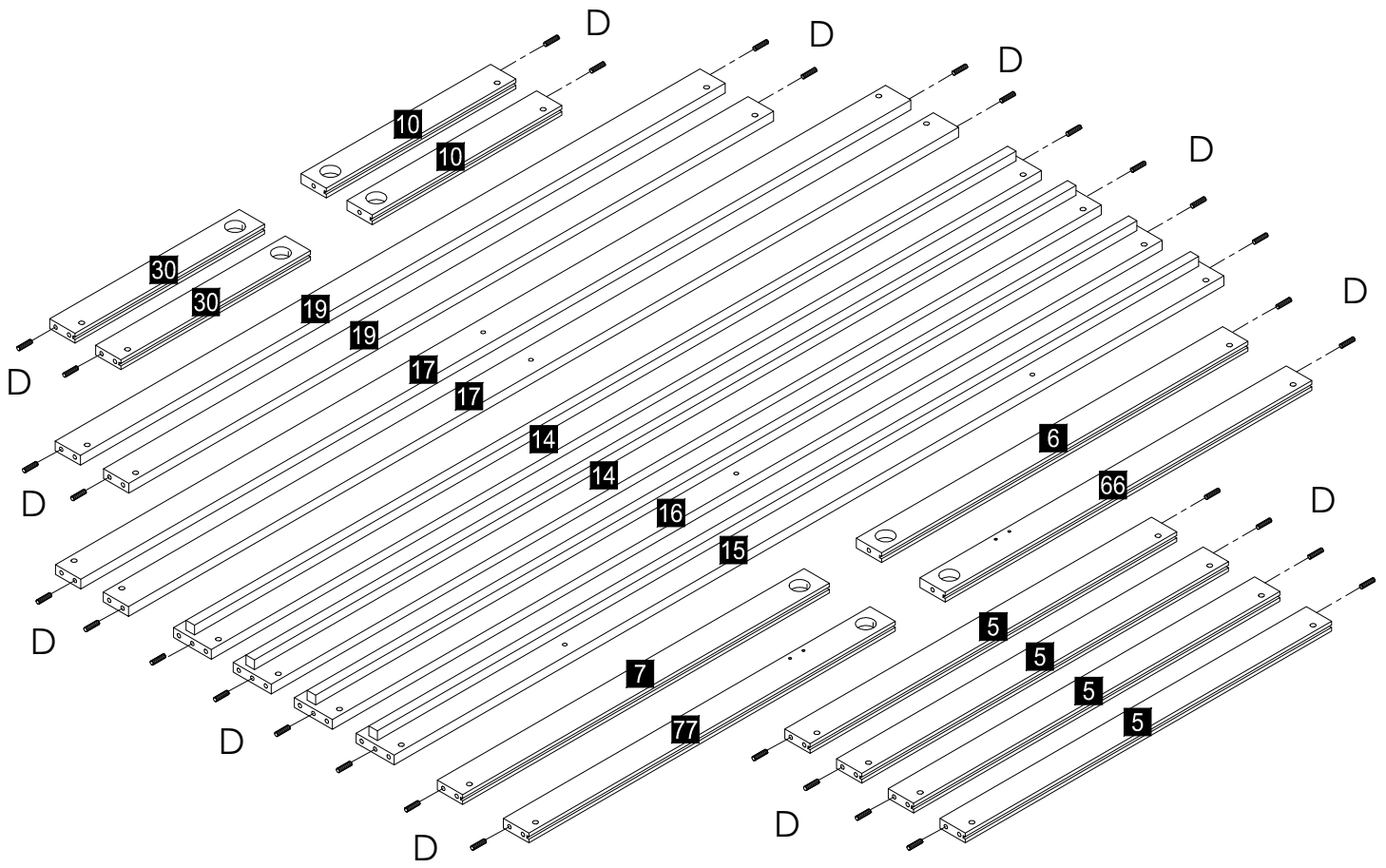

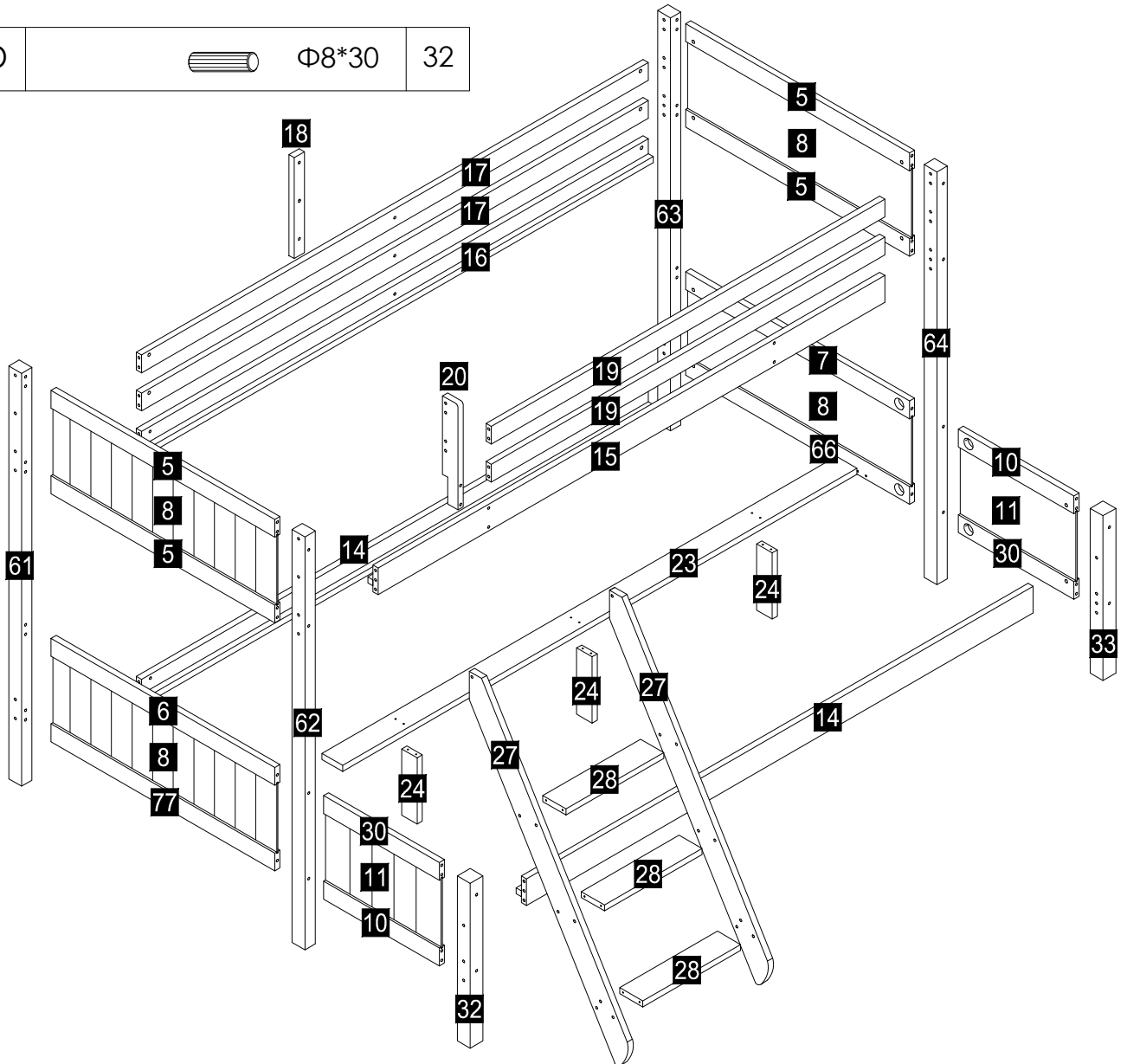


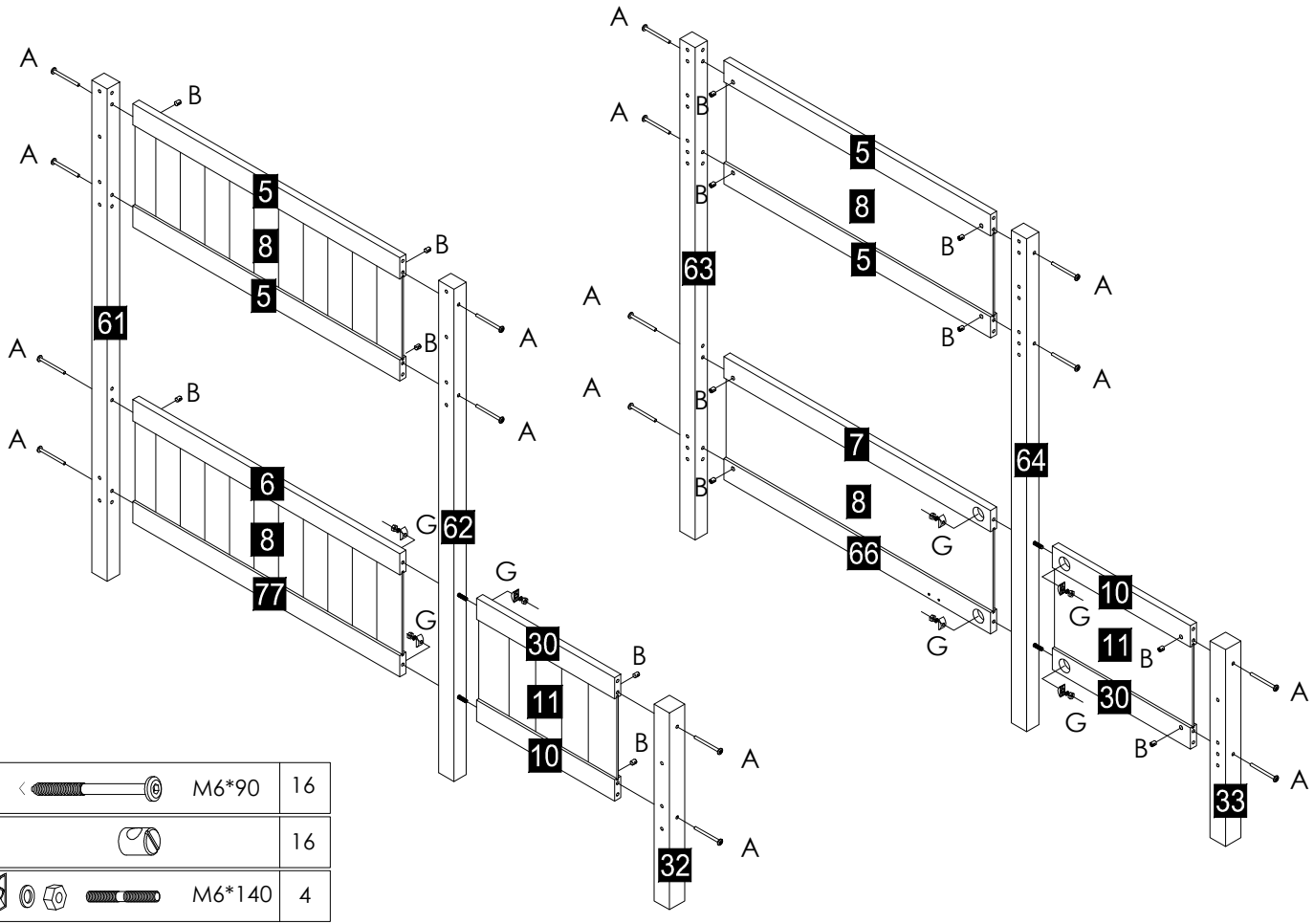
A		M6*90	39	F		M6*60	3	M		4*30	96
B			40	G		M6*140	4	N		Φ10	4
C		M6*50	2	H		Φ7*50	18	P		Φ8	6
D		Φ8*30	32	J		3.5*16	14	R		Φ35	8
E		M6*20	7	K			2	S		8 mm	2
W			2	L		M6*30	3	T		4 mm	1



D		Φ8*30	32
---	---	-------	----

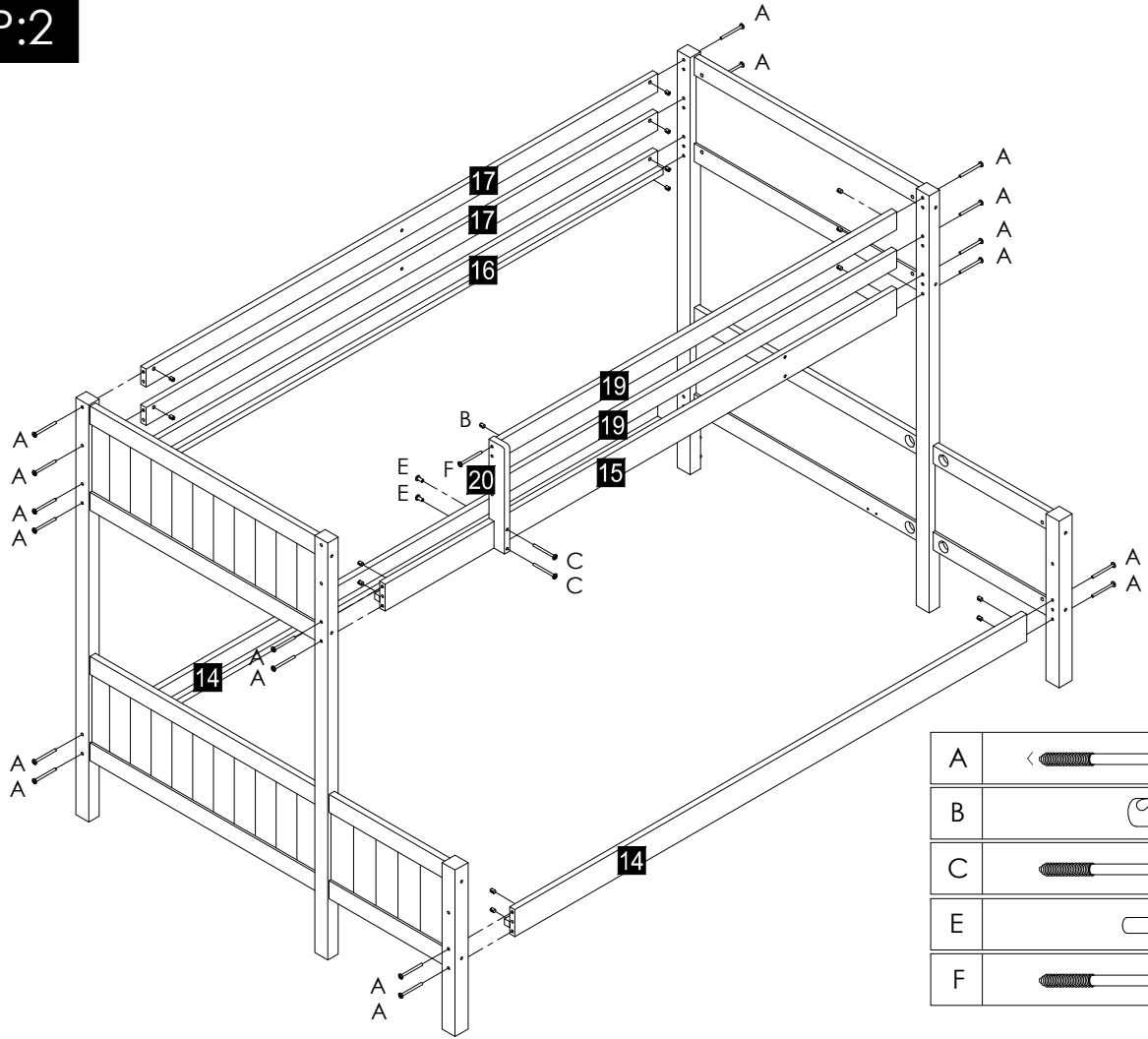


STEP:1




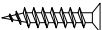


A		M6*90	16
B			16
G		M6*140	4

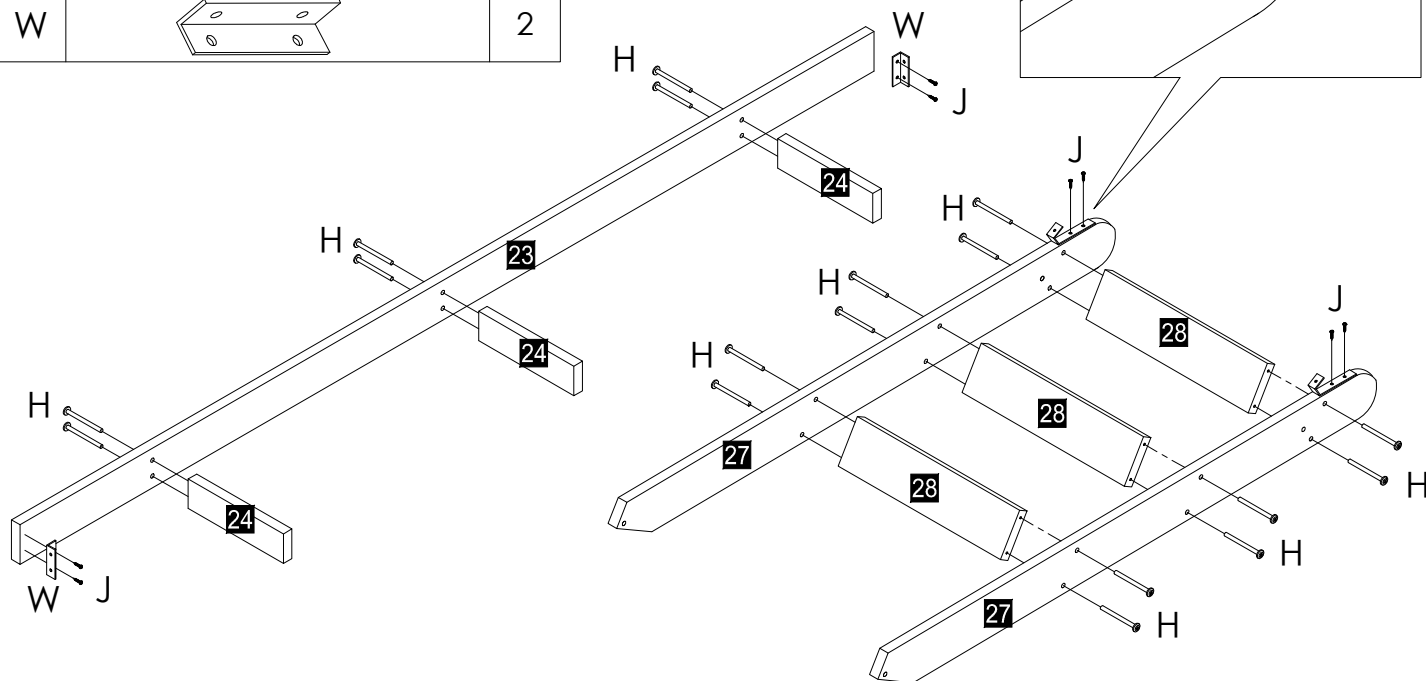
STEP:2



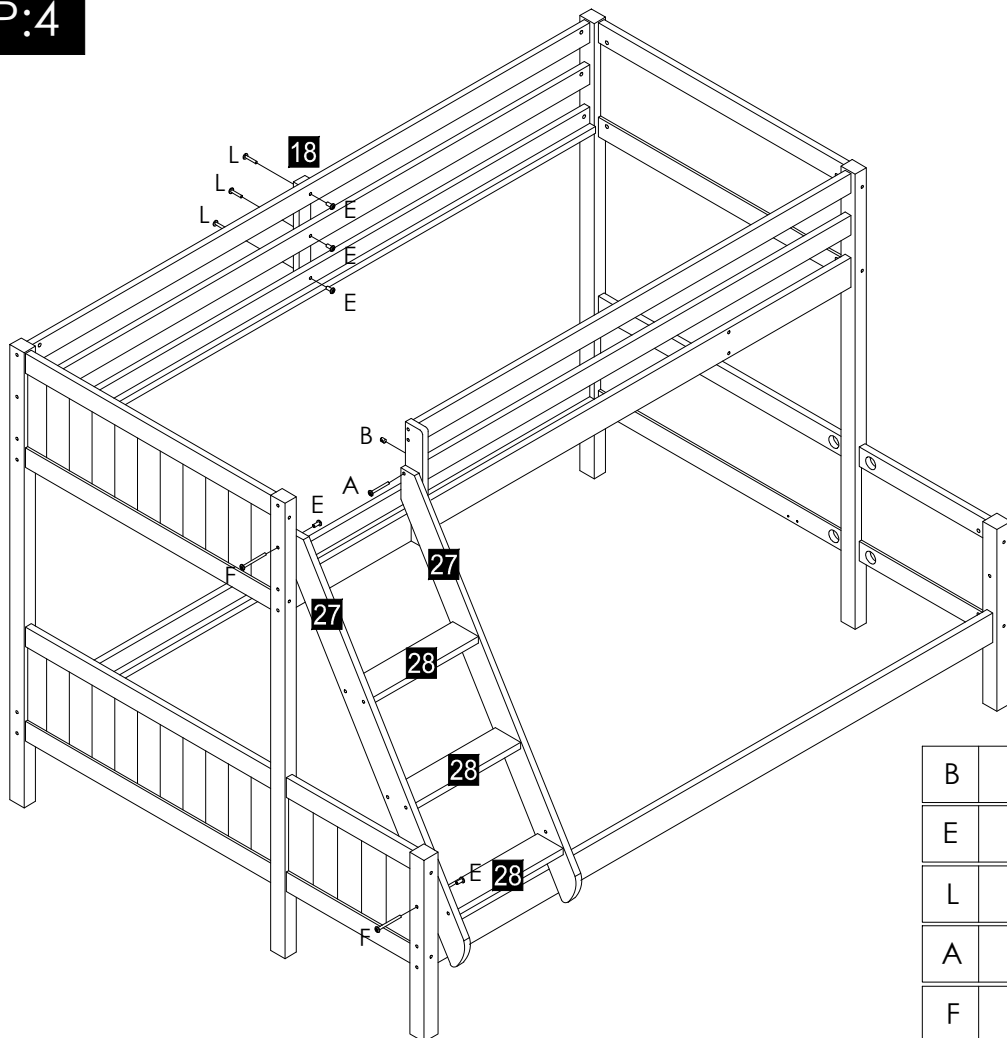
A		M6*90	22
B			23
C		M6*50	2
E		M6*20	2
F		M6*60	1


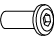



STEP:3

H		Φ7*50	18
J		3.5*16	8
K			2
W			2

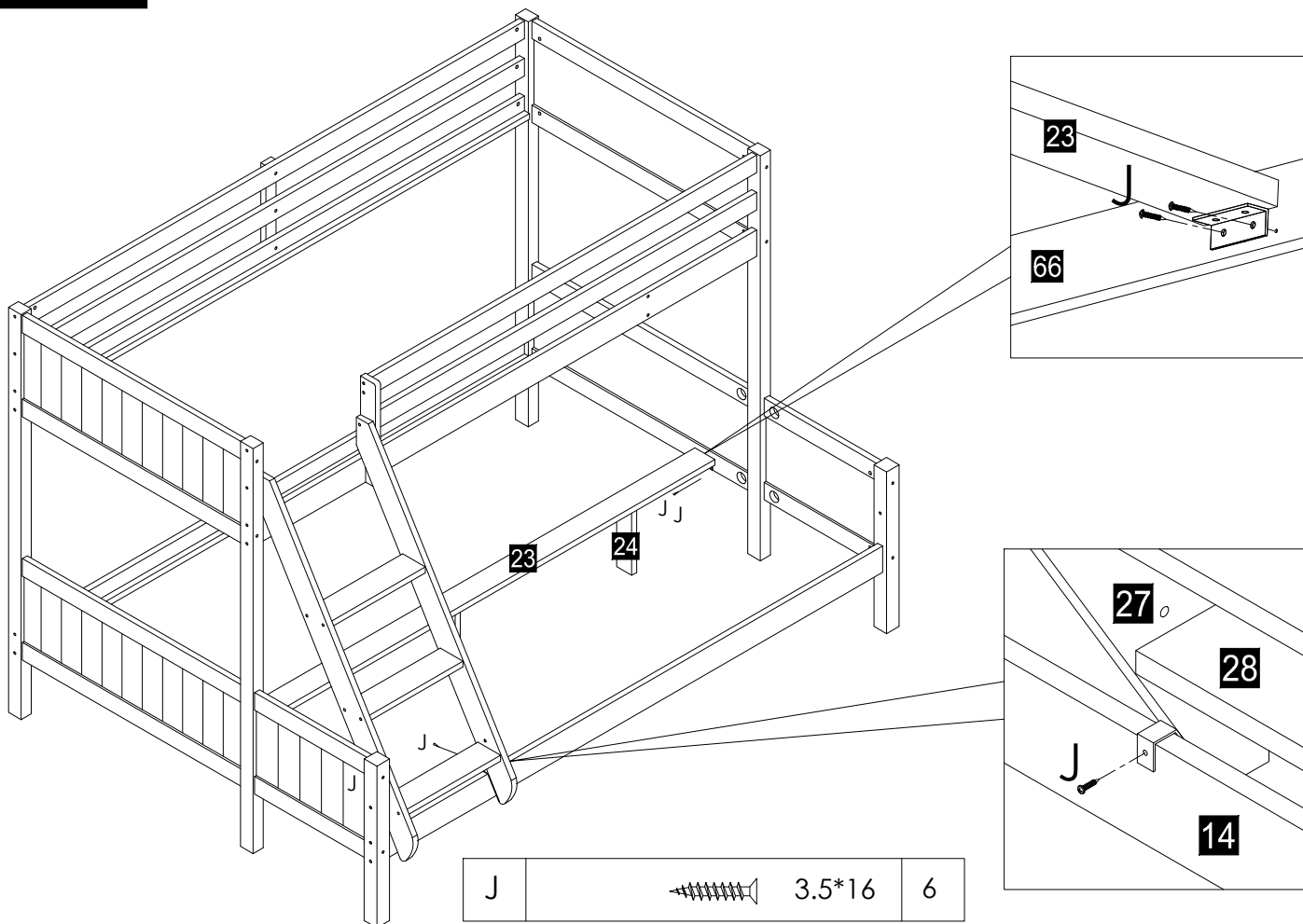


STEP:4

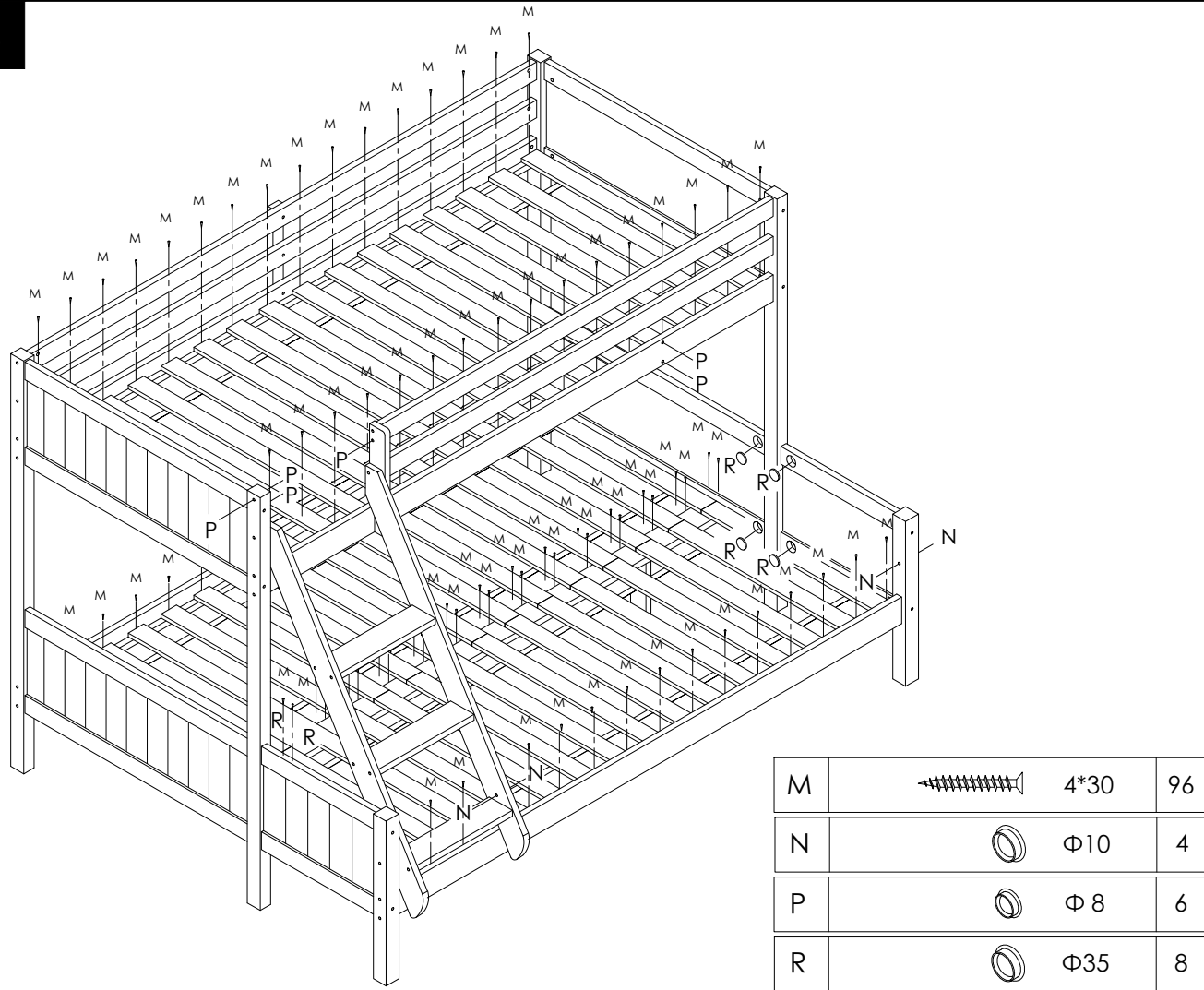


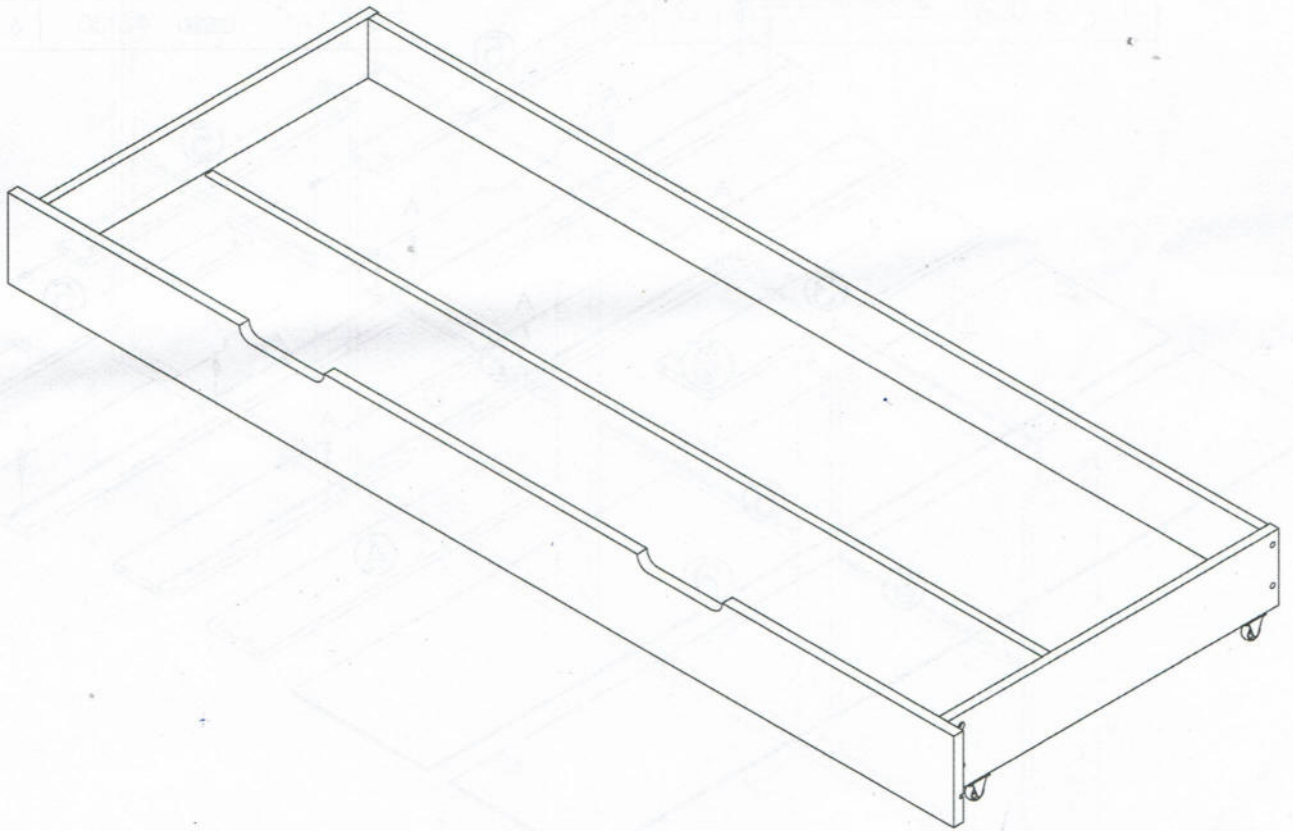
B			1
E		M6*20	5
L		M6*30	3
A		M6*90	1
F		M6*60	2









STEP:5



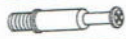

STEP:6

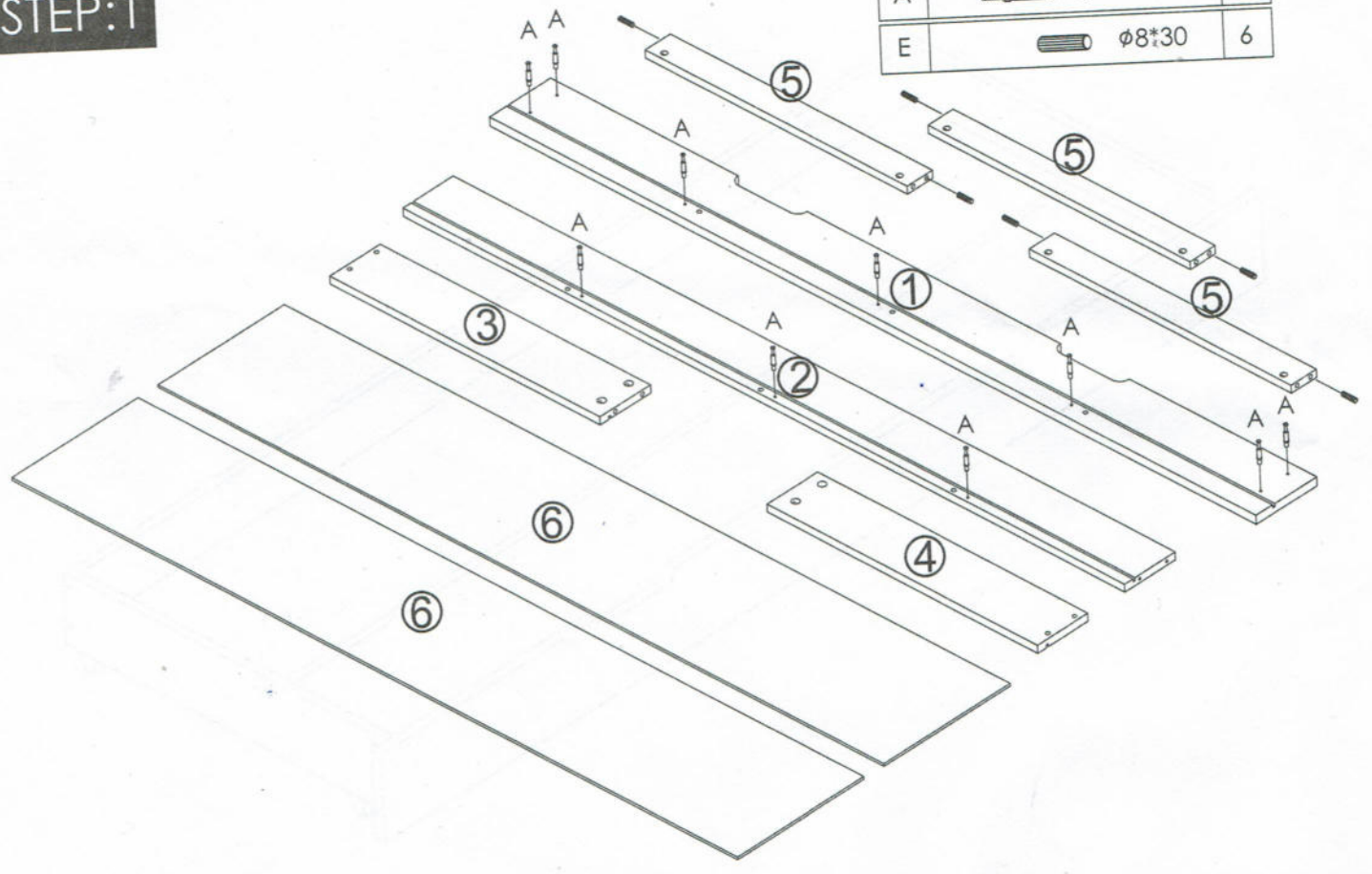






A		10
B		10
C	 $\phi 4*40$	4
D		4
E	 $\phi 8*30$	6
F	 $3.5*16$	8
G	 1850 mm	1
H		1

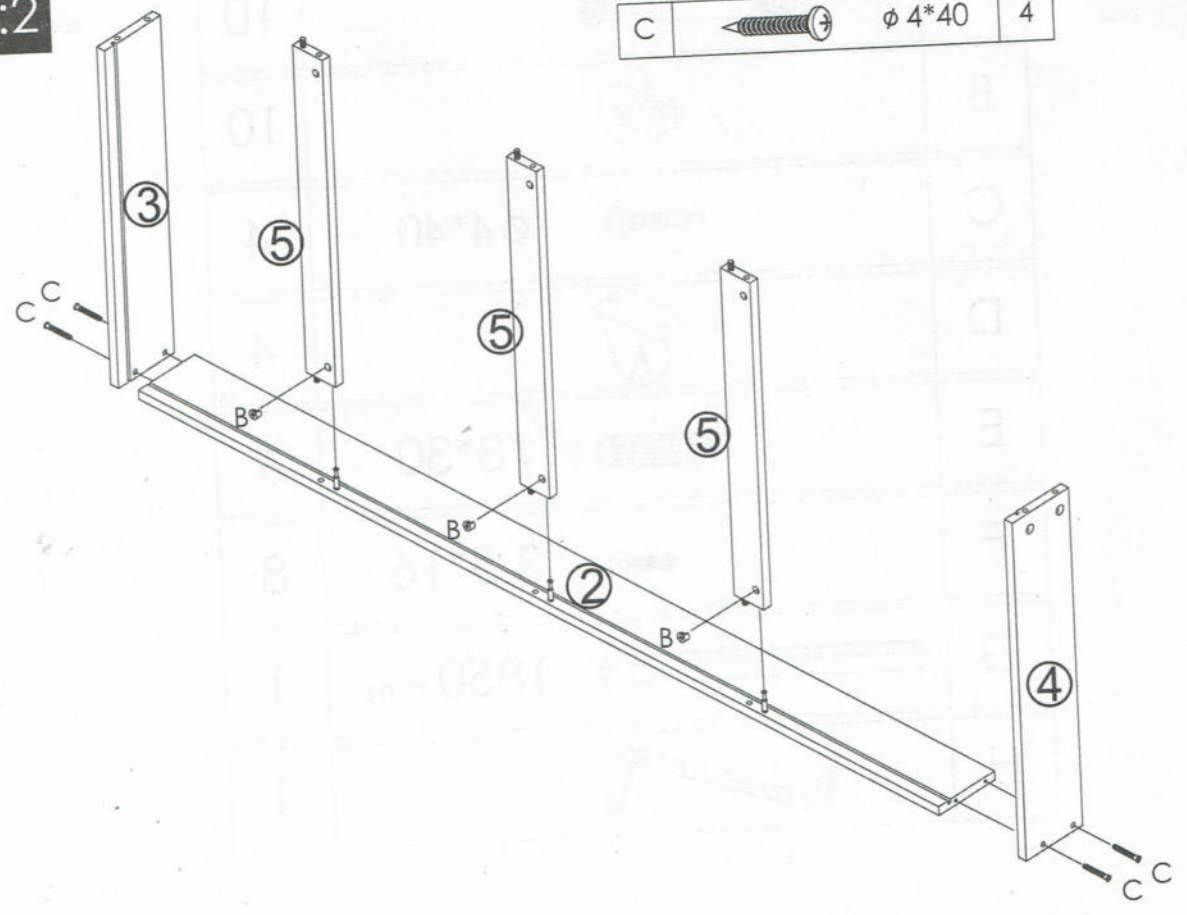
STEP:1

A		10
E	 $\phi 8 \times 30$	6

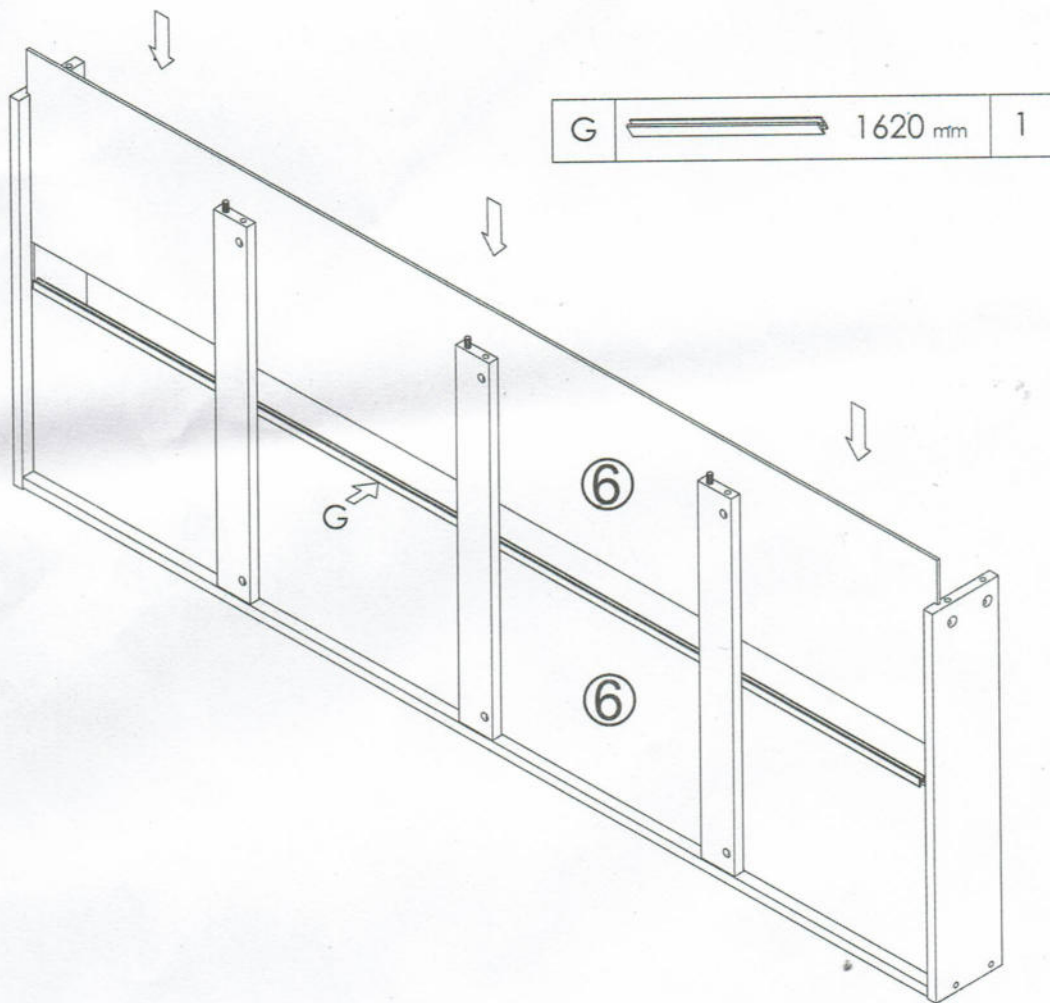


STEP:2

B		3
C	 $\phi 4 \times 40$	4



STEP:3



STEP:4

