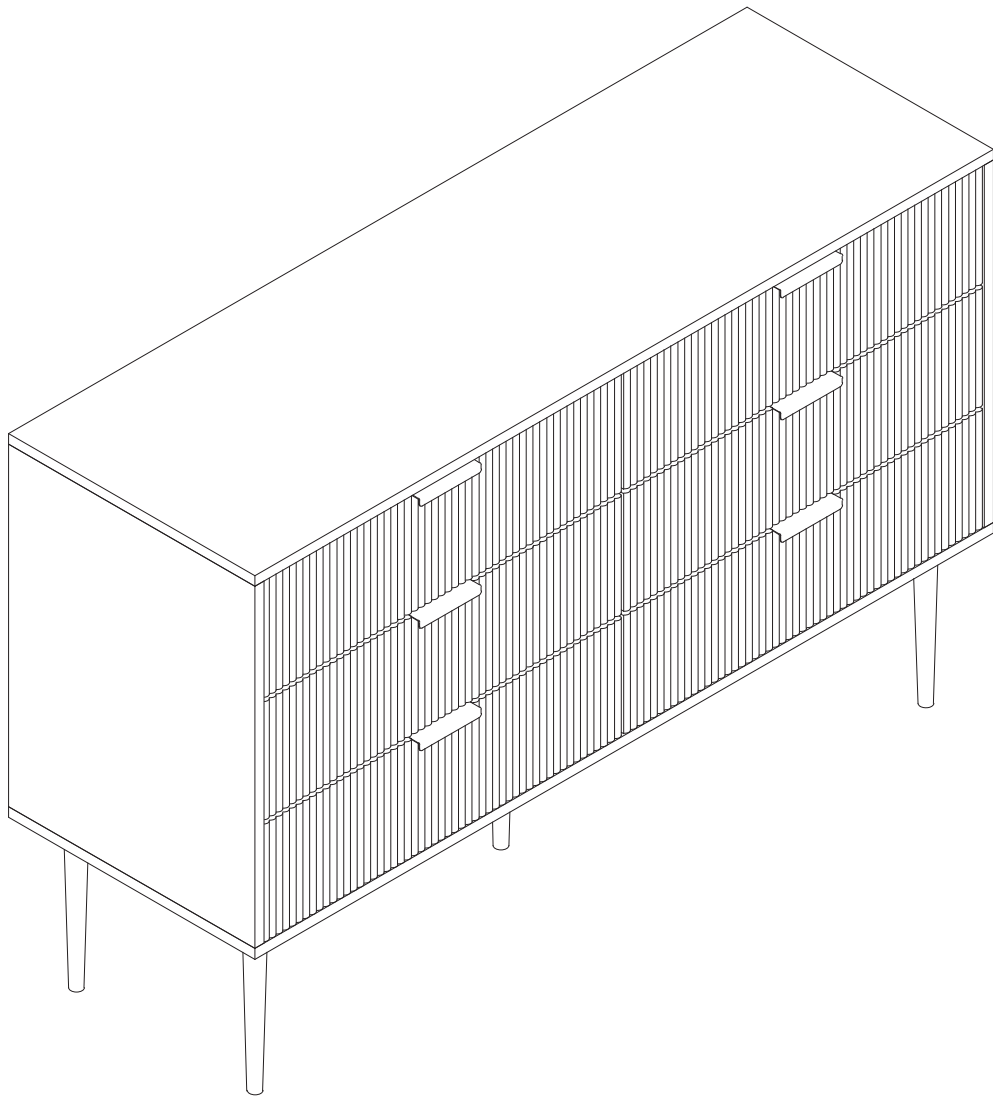
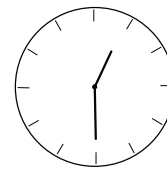
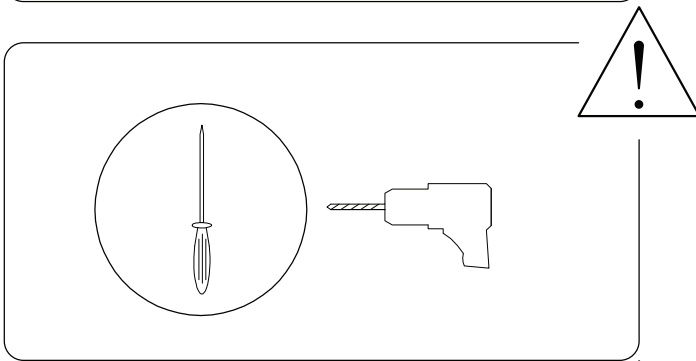
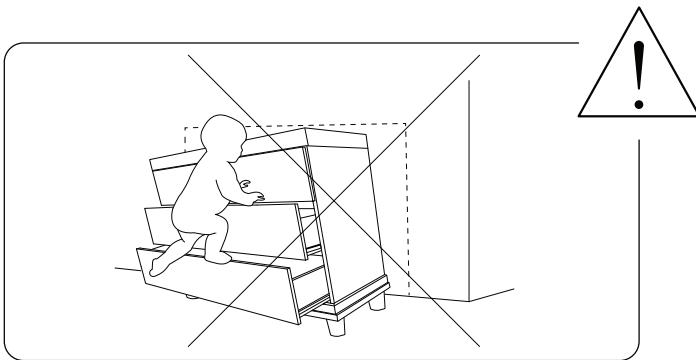
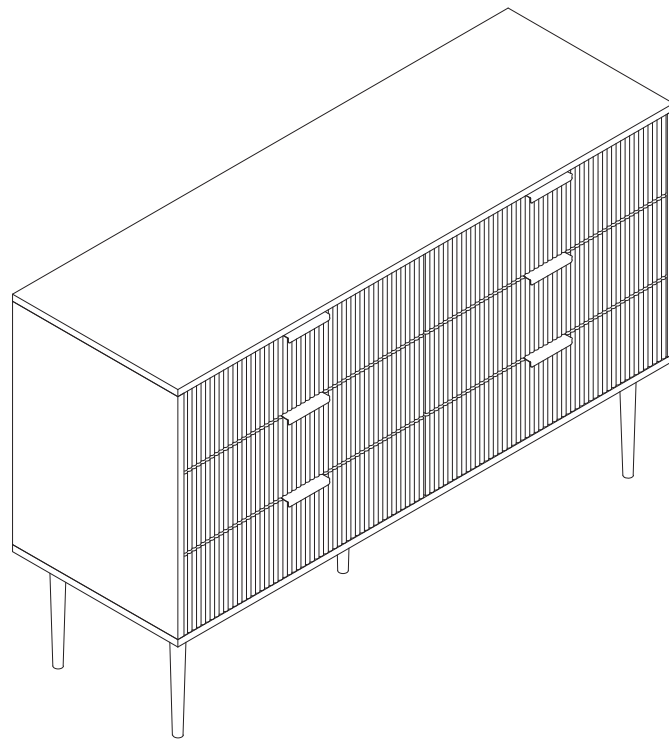
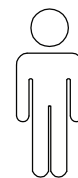
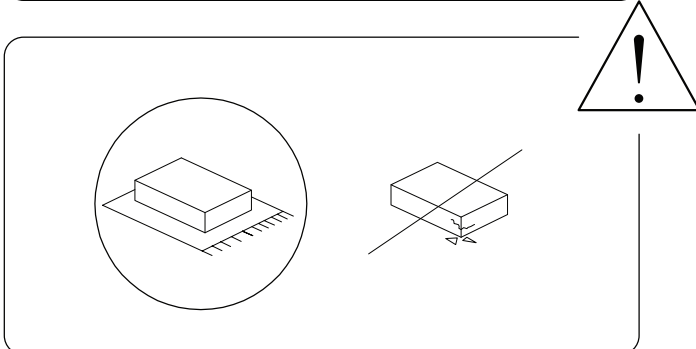


# SOHO

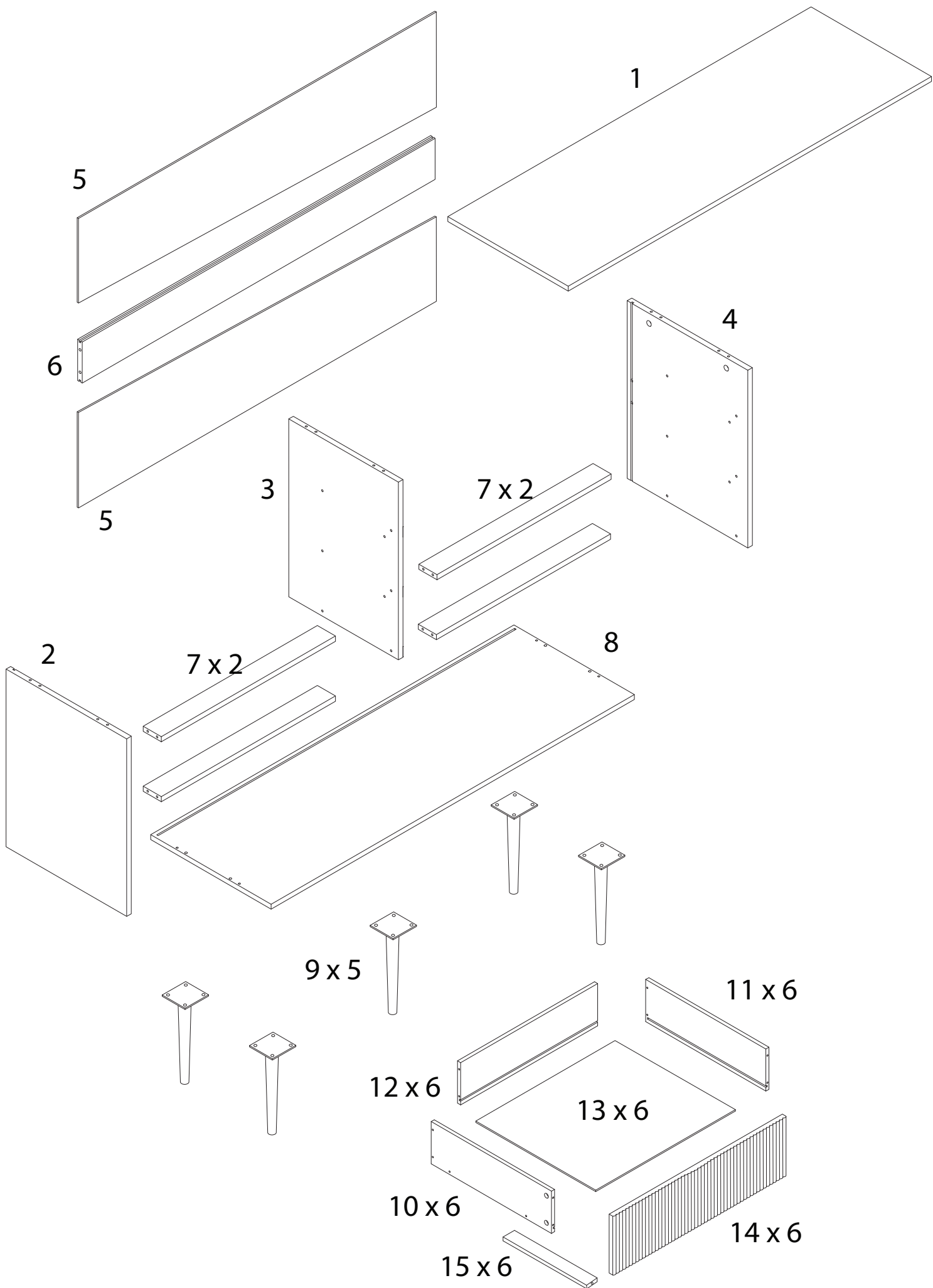


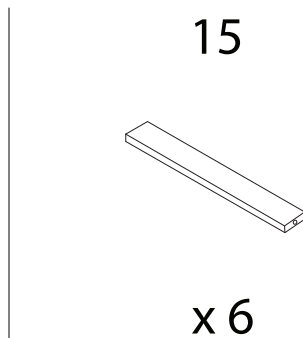
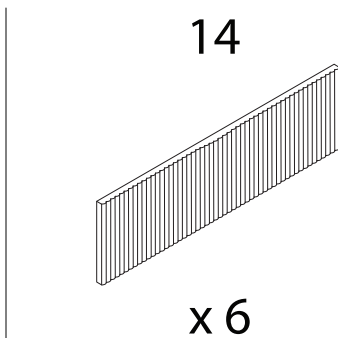
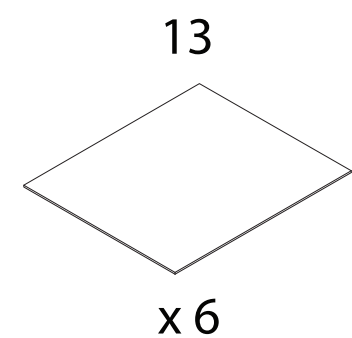
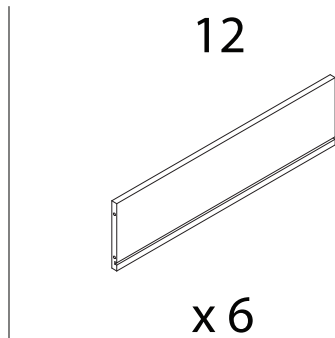
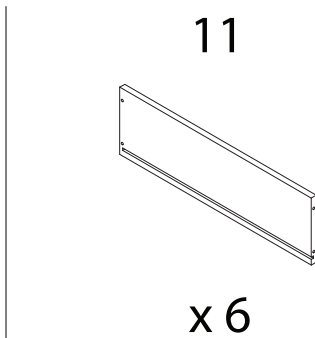
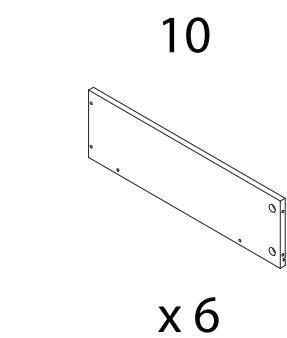
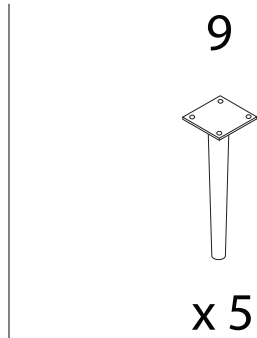
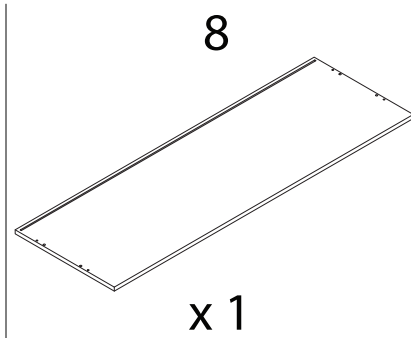
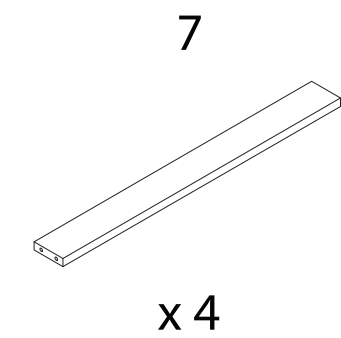
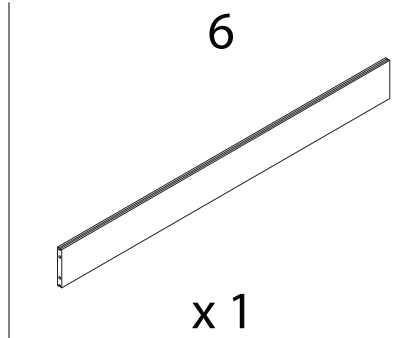
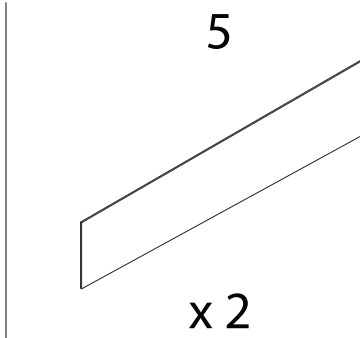
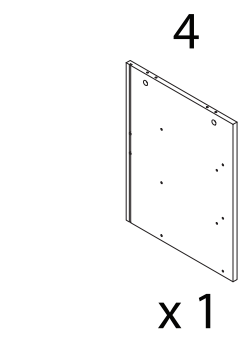
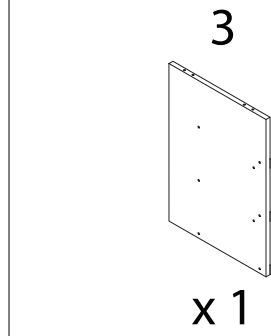
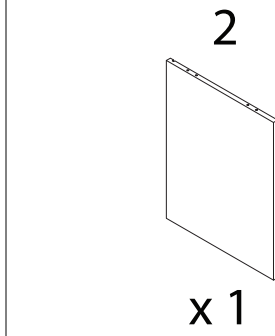
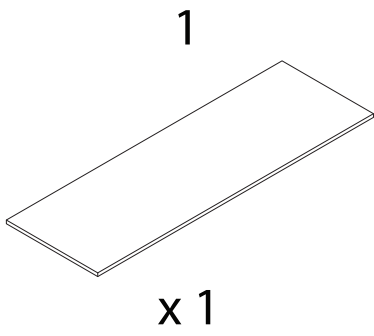


90'

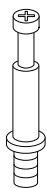


2



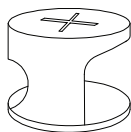


A



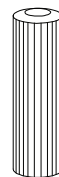
x 48

B



x 48

C



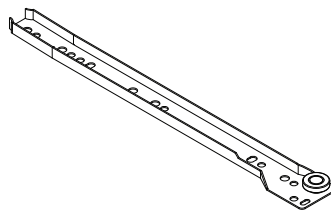
x 20

D



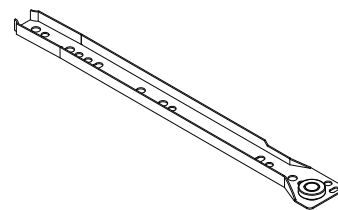
x 38

ECL



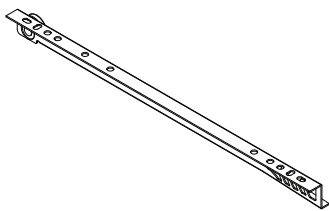
x 6

ECR



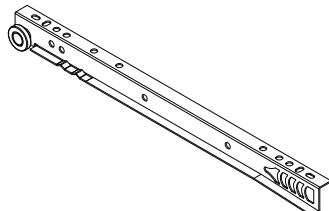
x 6

EDL



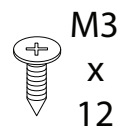
x 6

EDR



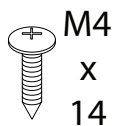
x 6

F



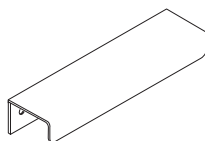
x 60

G



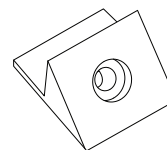
x 22

H



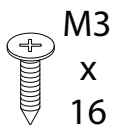
x 6

I



x 8

J



x 8

K



x 2

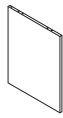
L



x 2

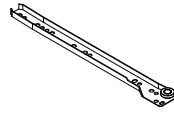
1

2



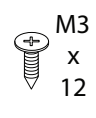
x 1

ECL

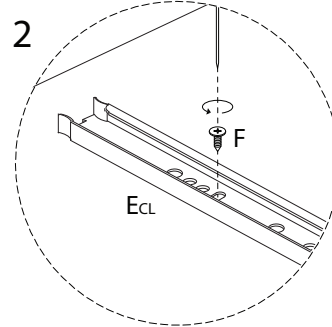
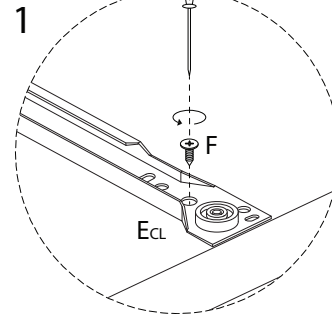
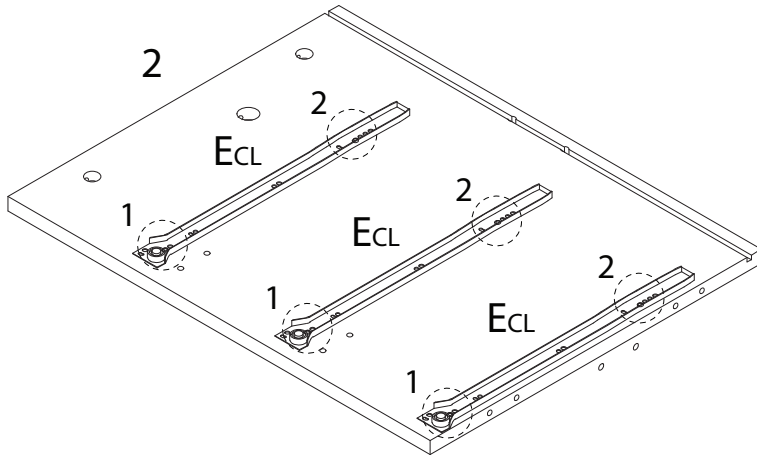


x 3

F

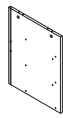


x 6



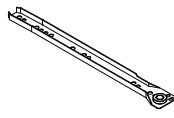
2

4



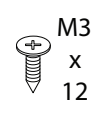
x 1

ECR

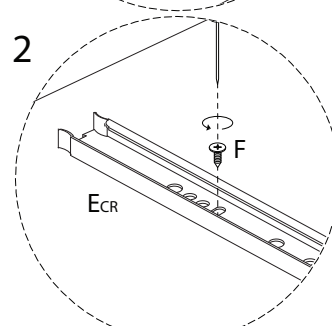
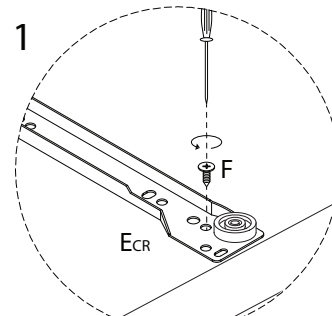
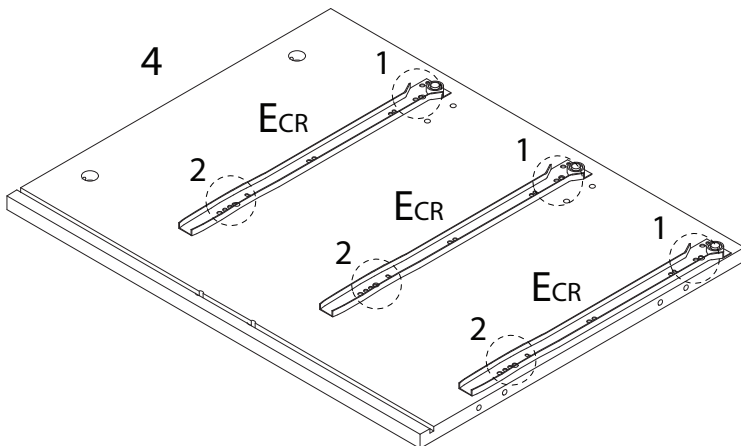


x 3

F

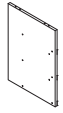


x 6



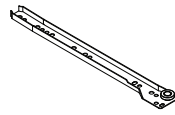
3

3



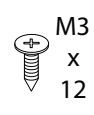
x 1

ECL

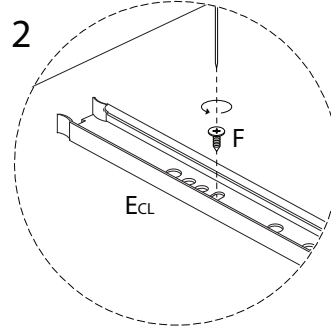
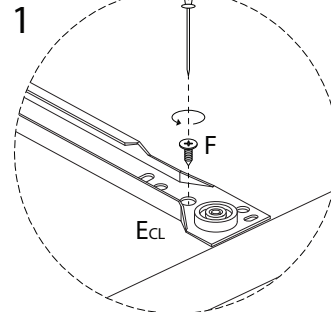
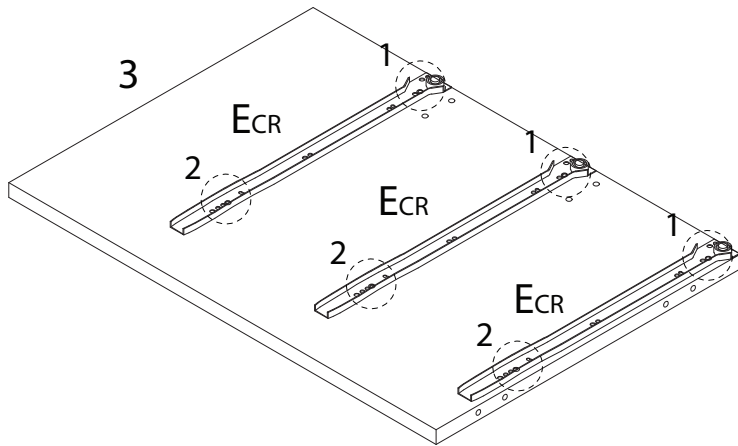


x 3

F

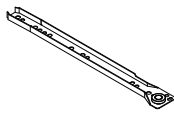


x 6



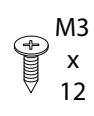
4

ECR

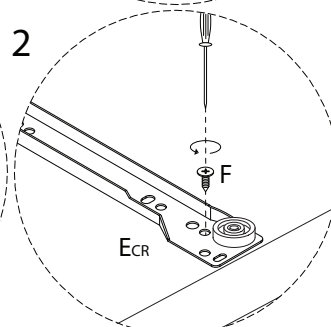
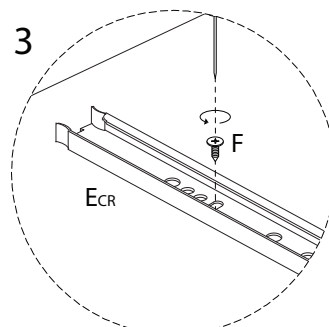
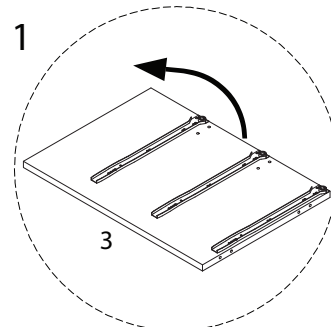
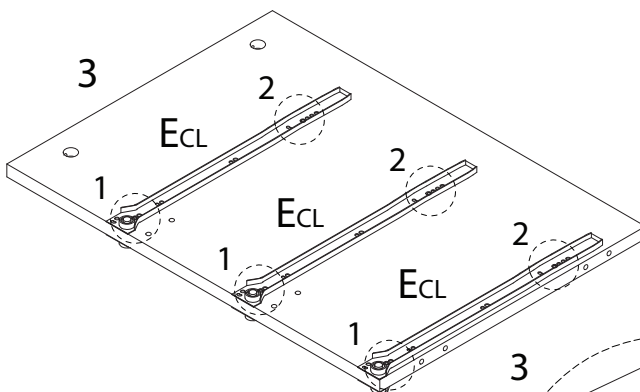


x 3

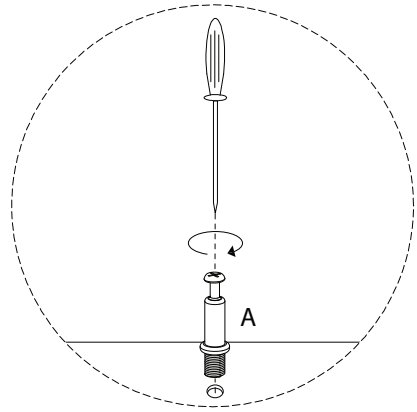
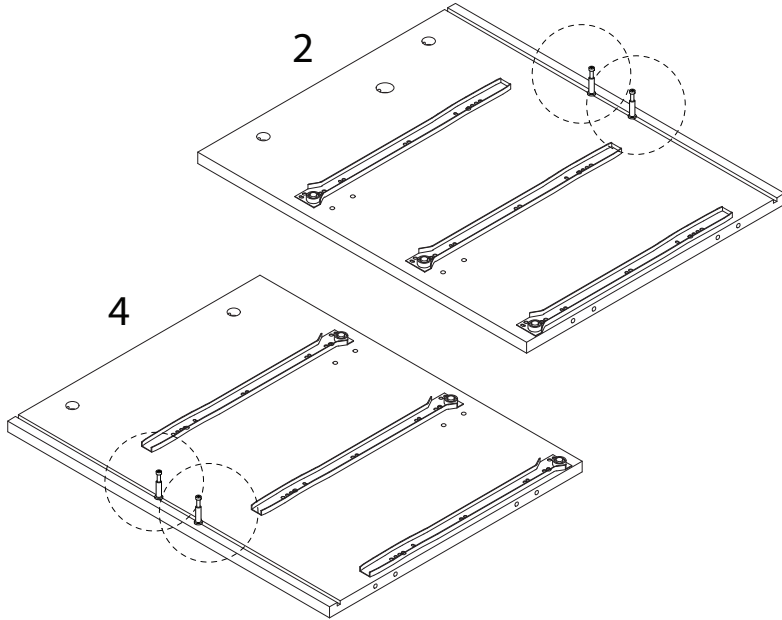
F



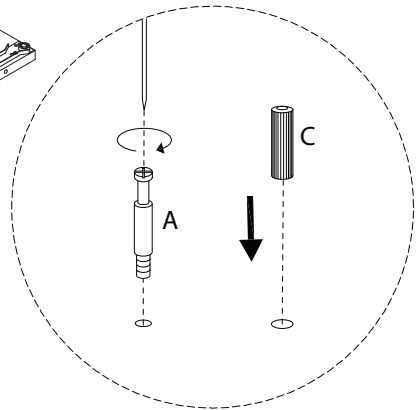
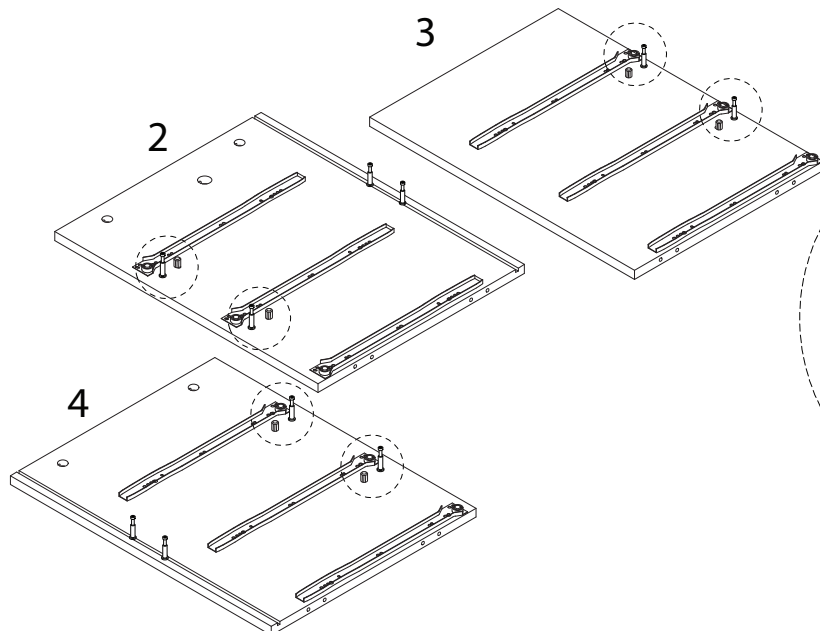
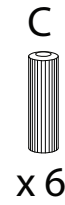
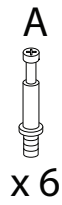
x 6



5

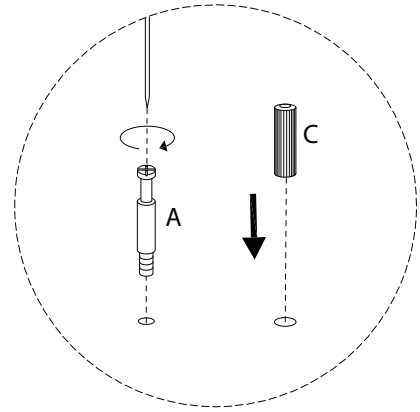
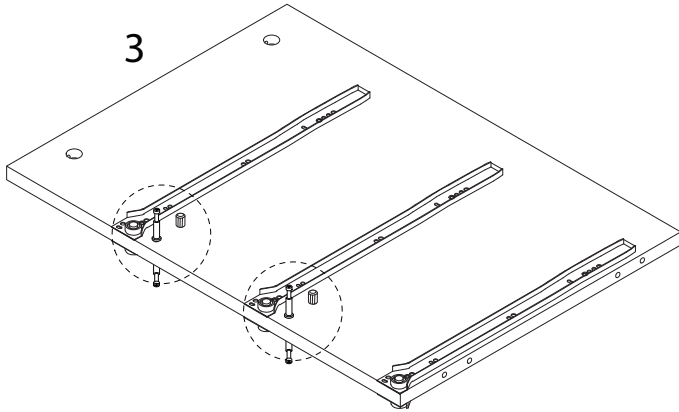
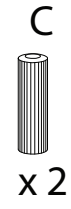
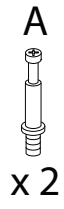


6

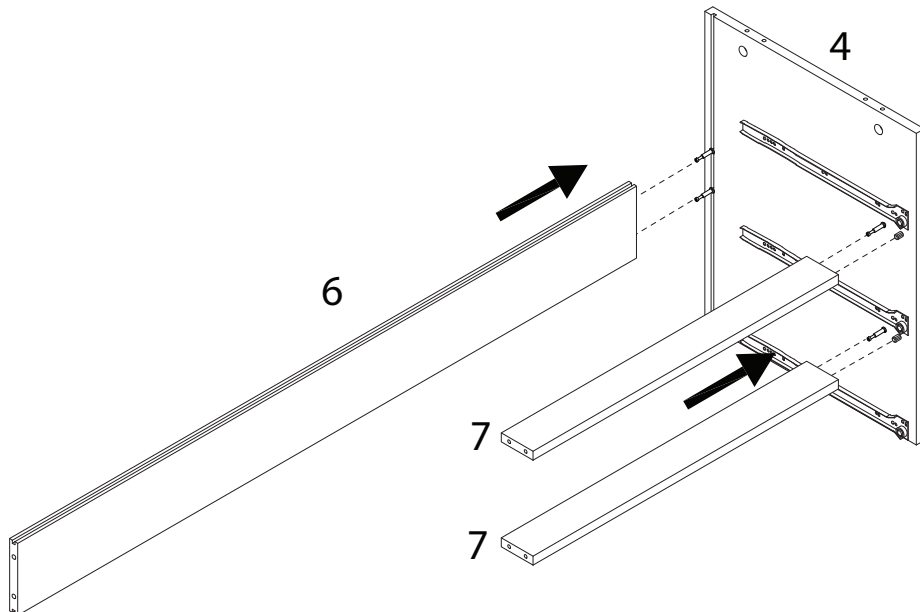
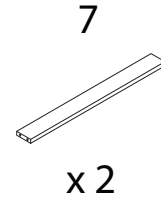
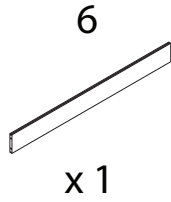




7



8

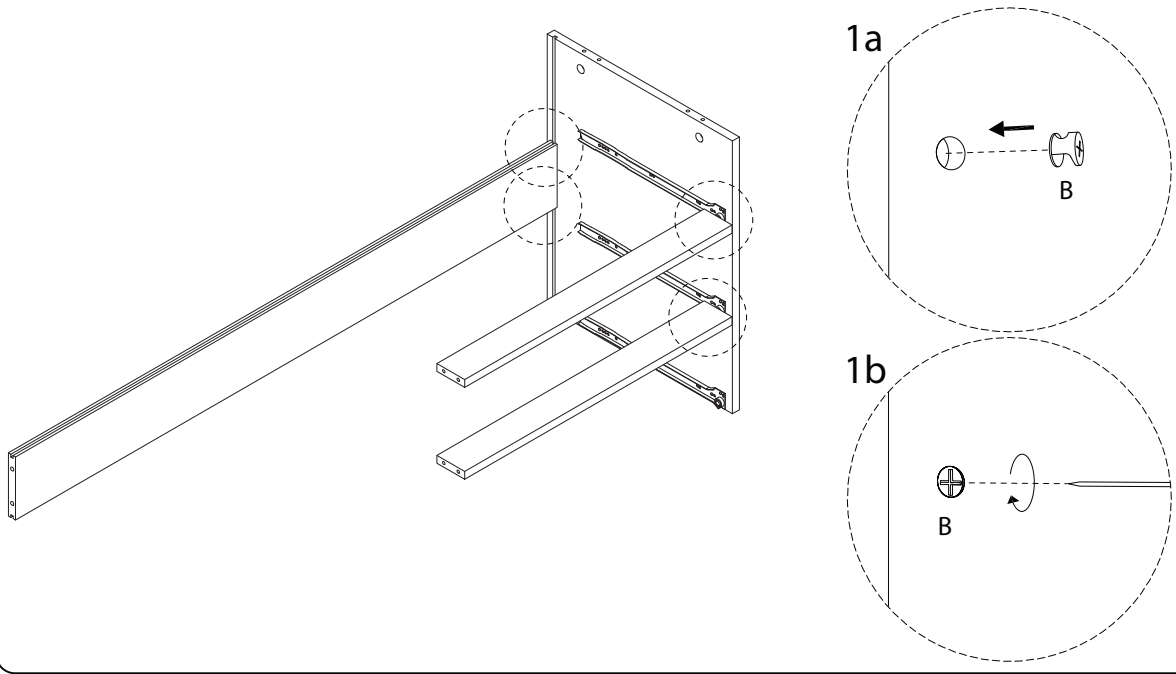


9

B

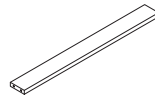


x 4

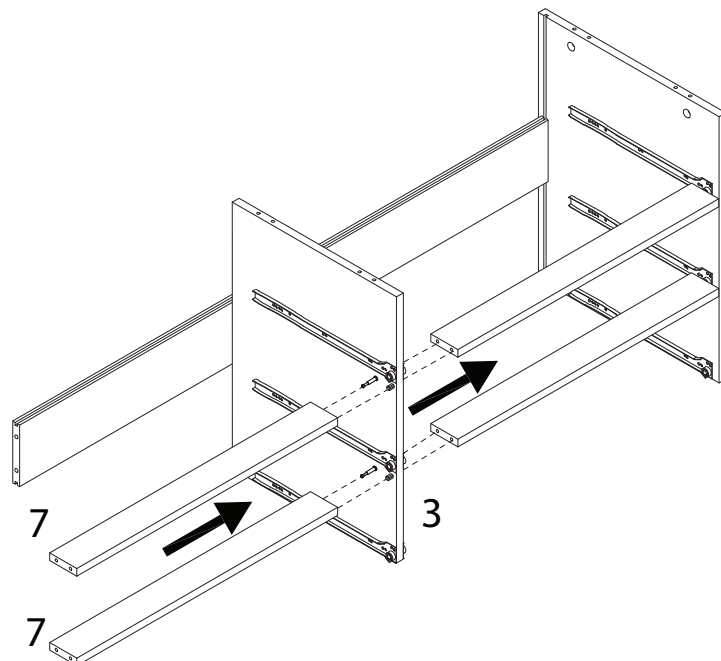


10

7



x 2

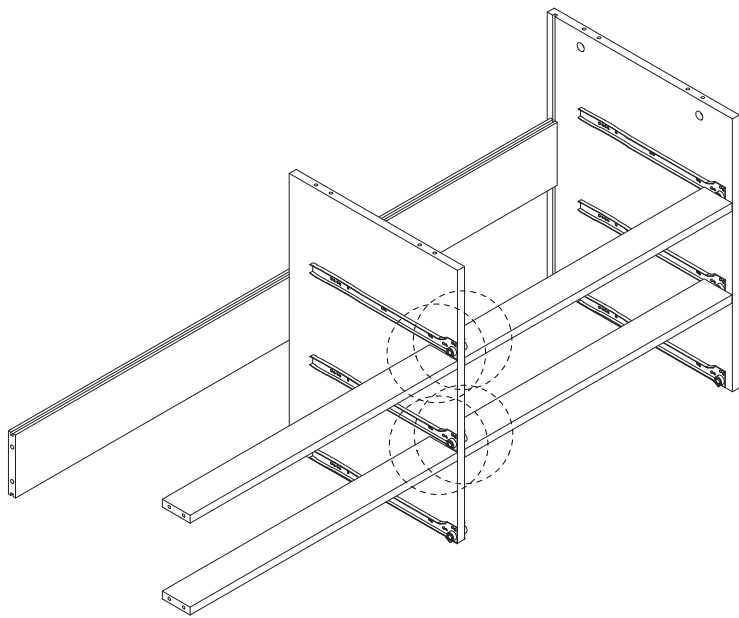


11

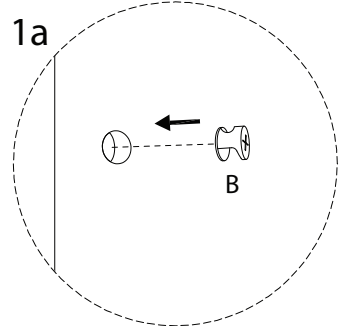
B



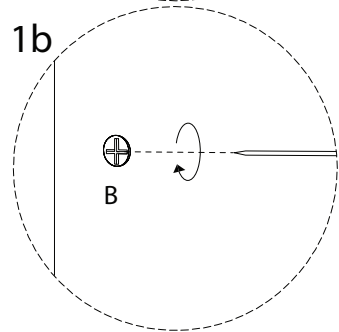
x 4



1a

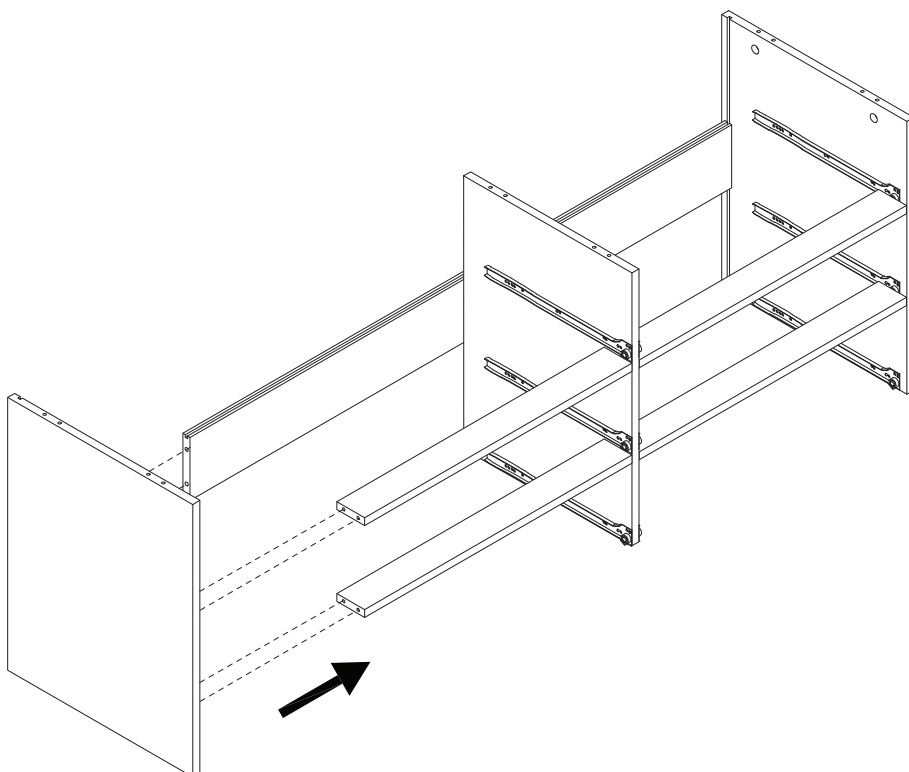


1b



12

2

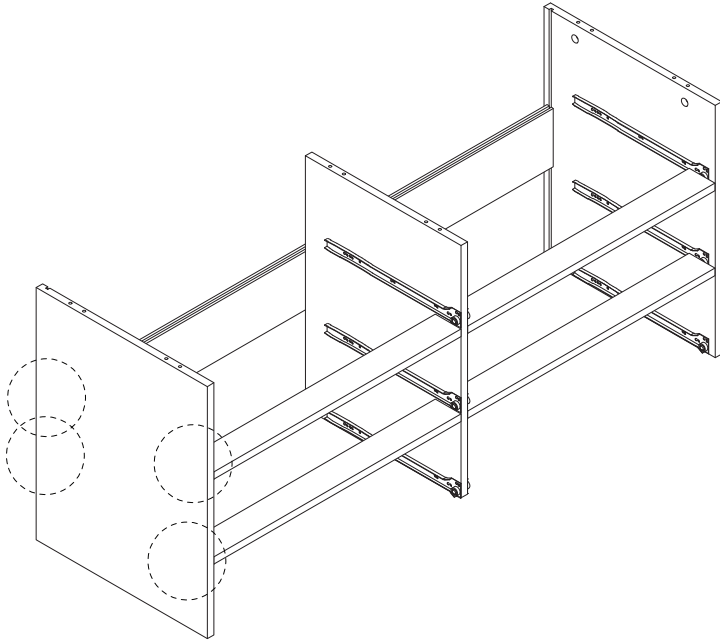


13

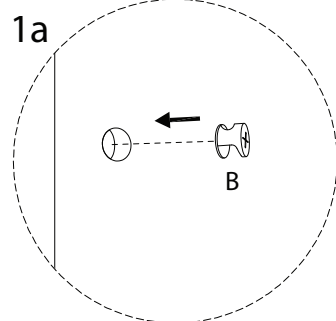
B



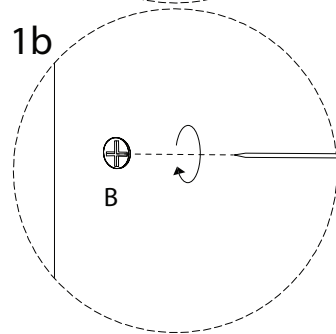
x 4



1a

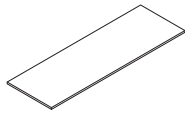


1b



14

1



x 1

A

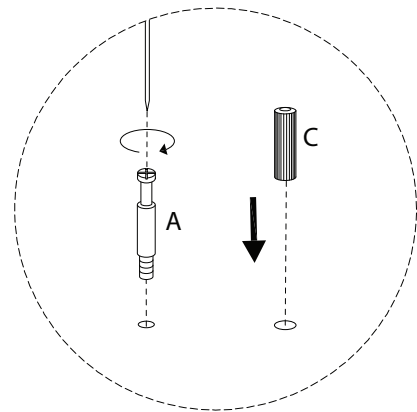
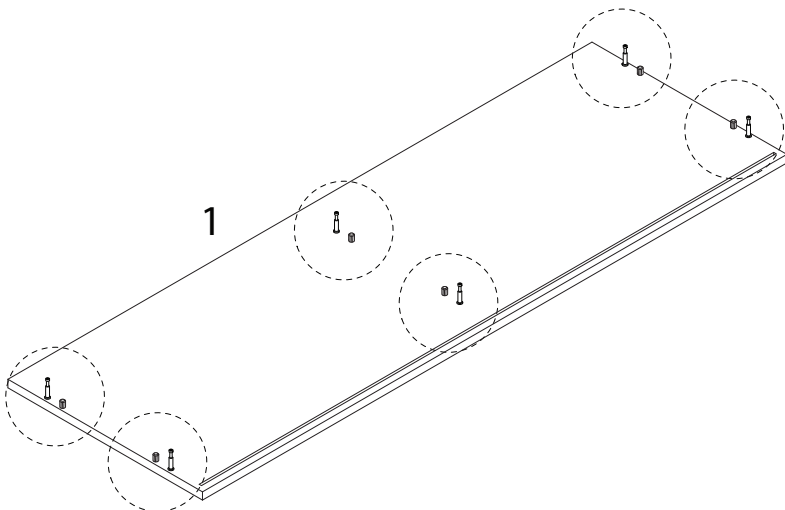


x 6

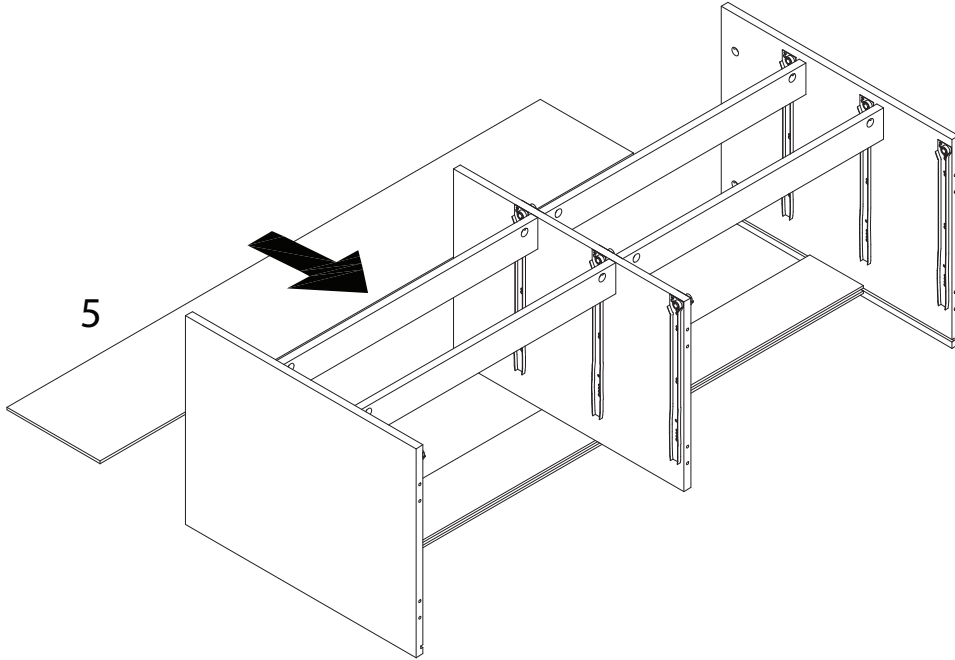
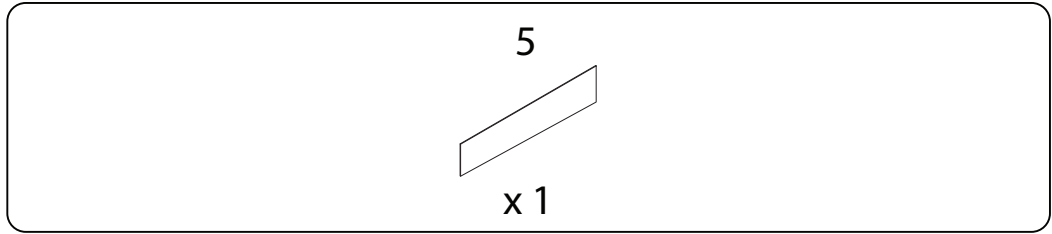
C



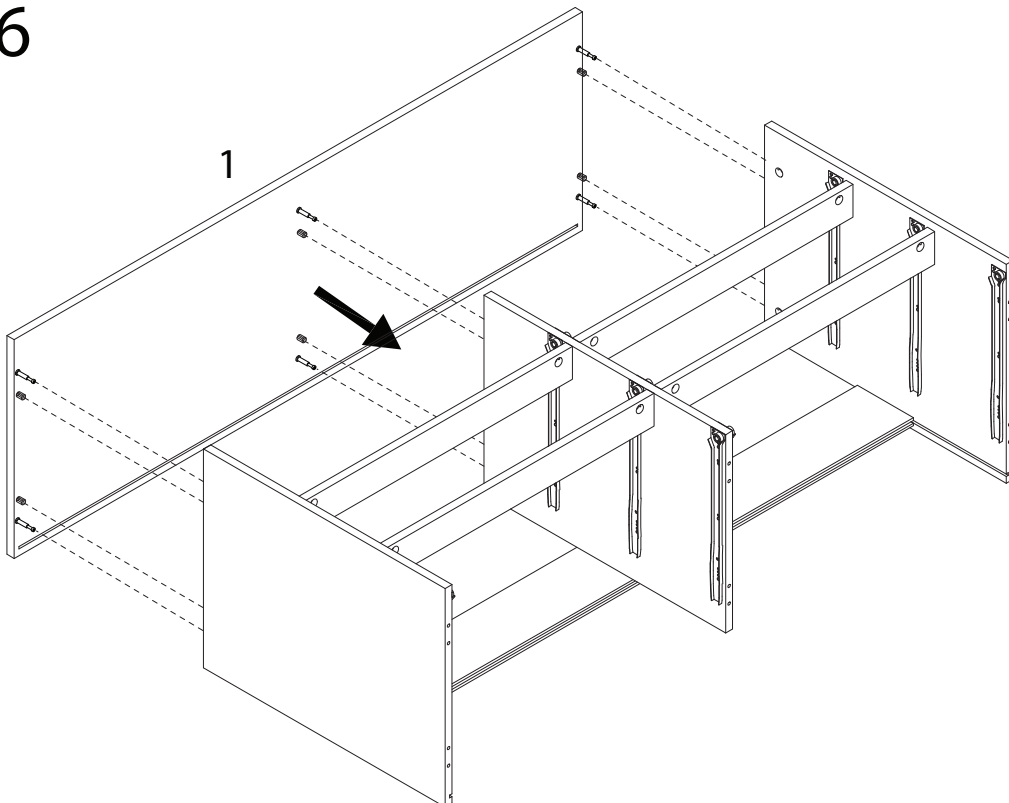
x 6



15



16

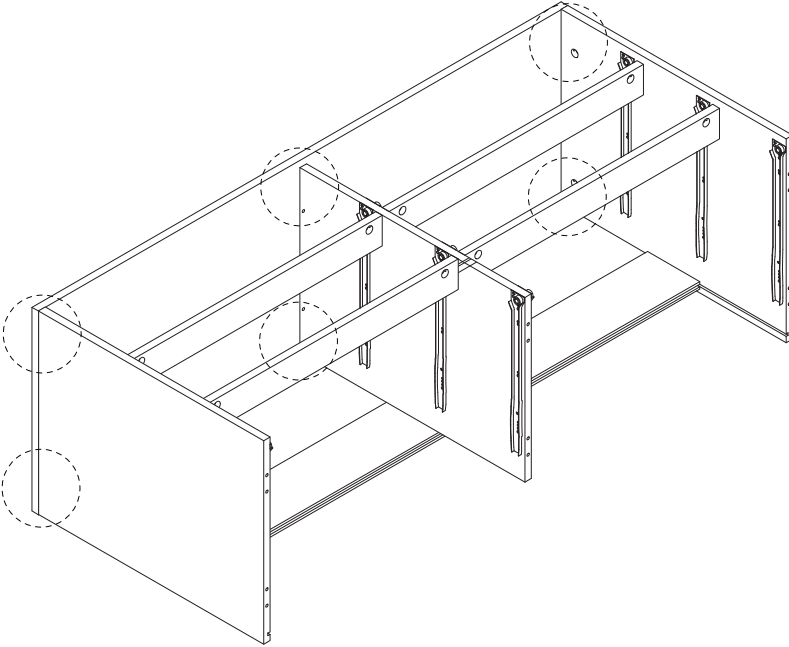


17

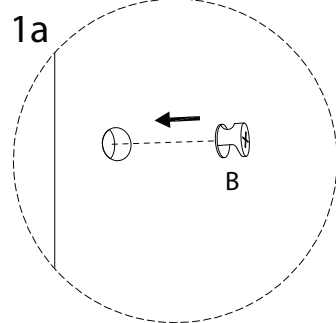
B



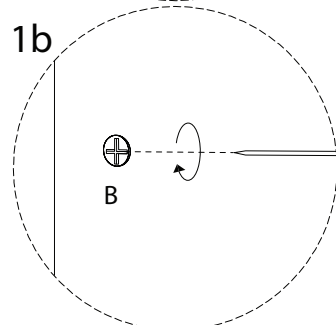
x 6



1a

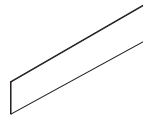


1b

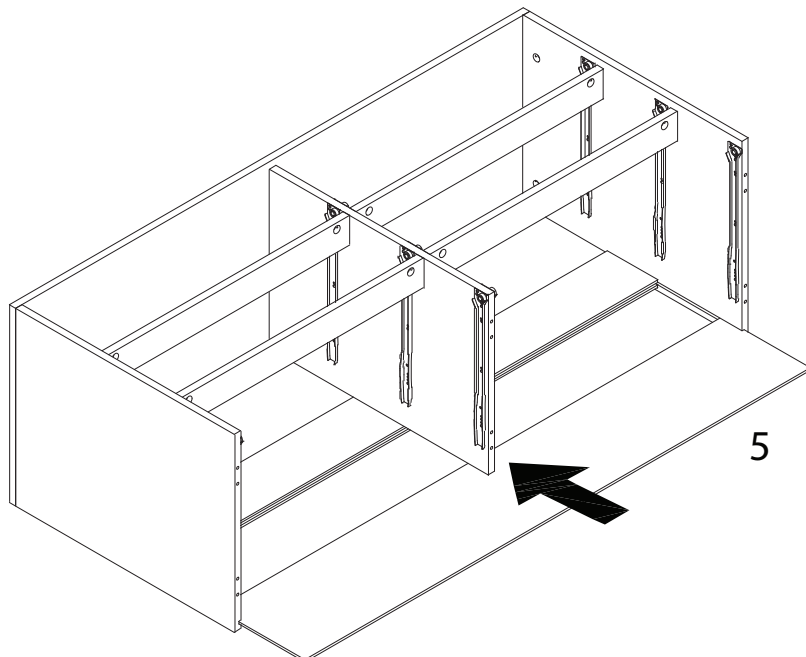


18

5



x 1

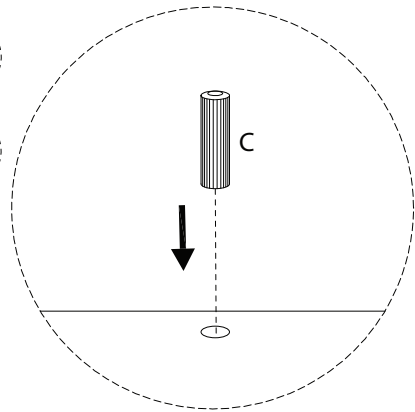
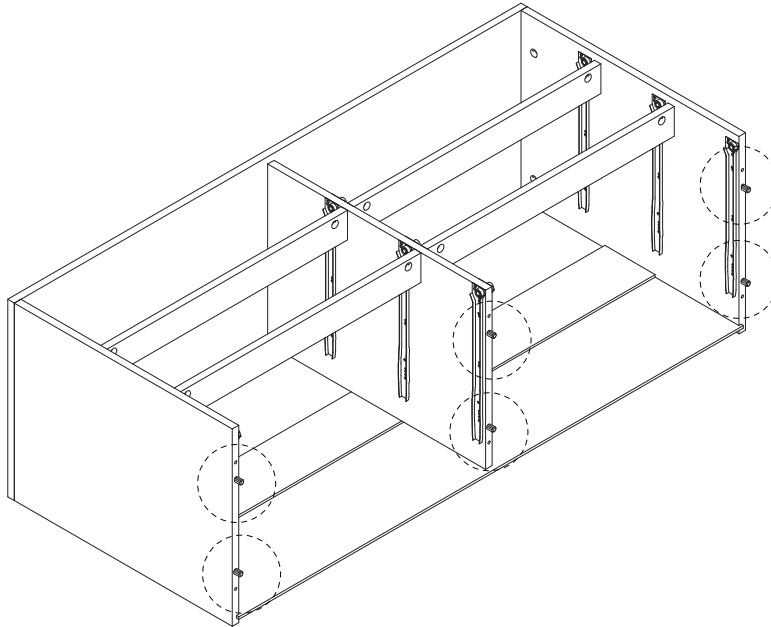


19

C

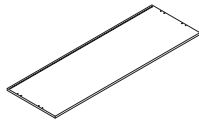


x 6



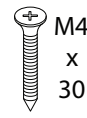
20

8

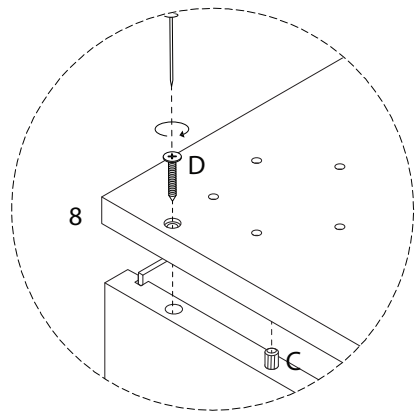
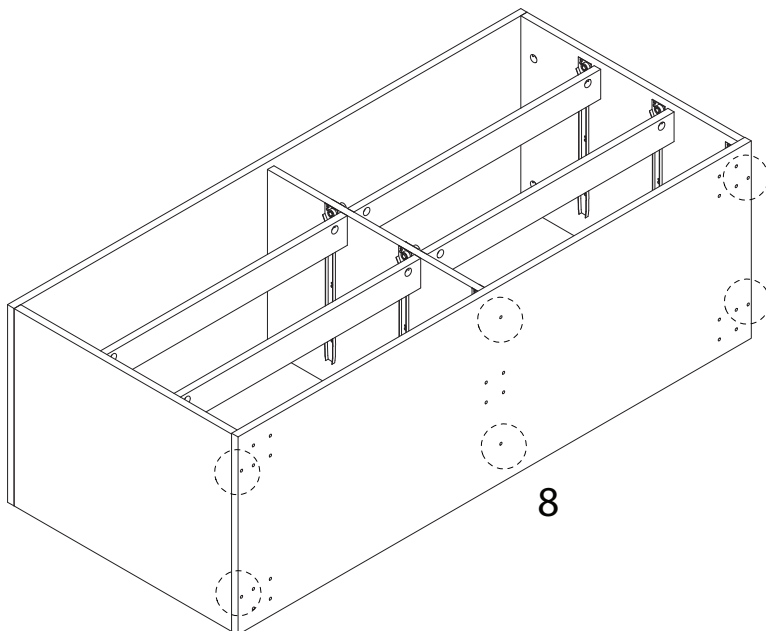


x 1

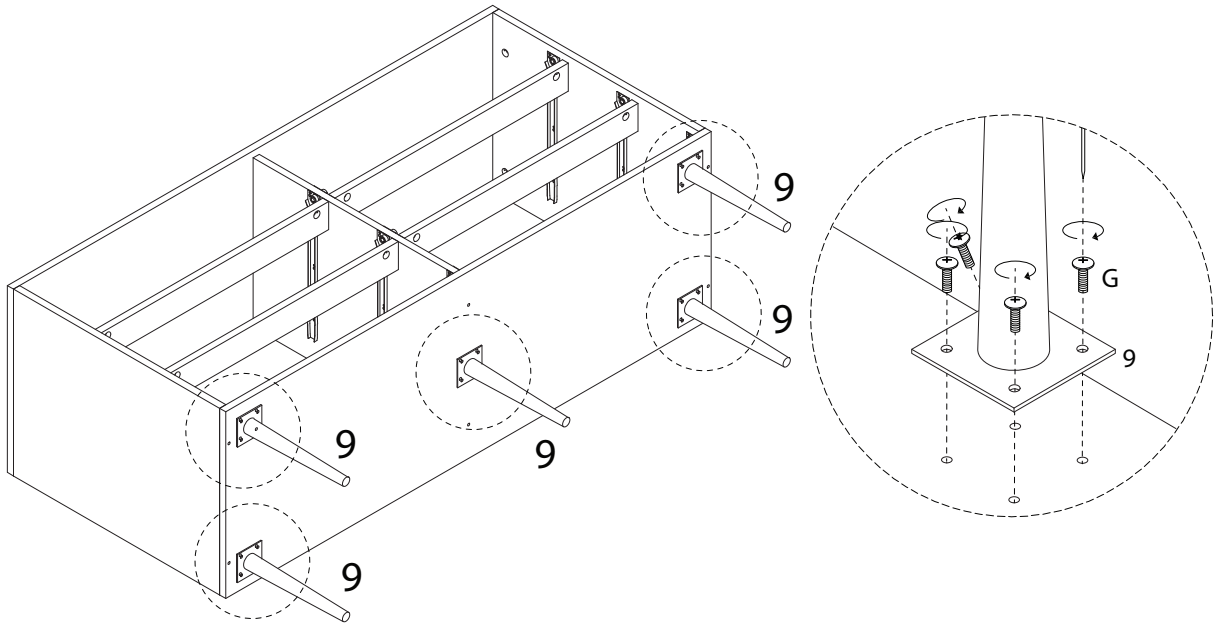
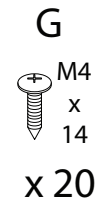
D



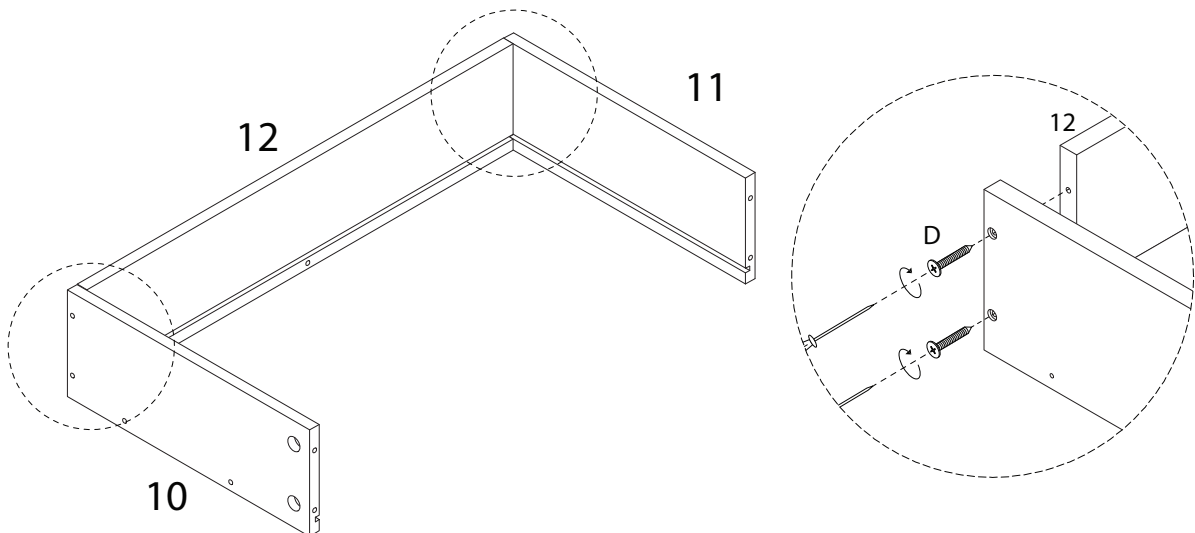
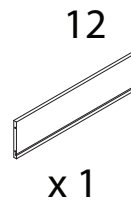
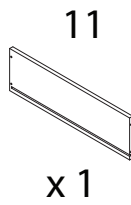
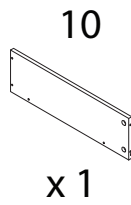
x 6



21

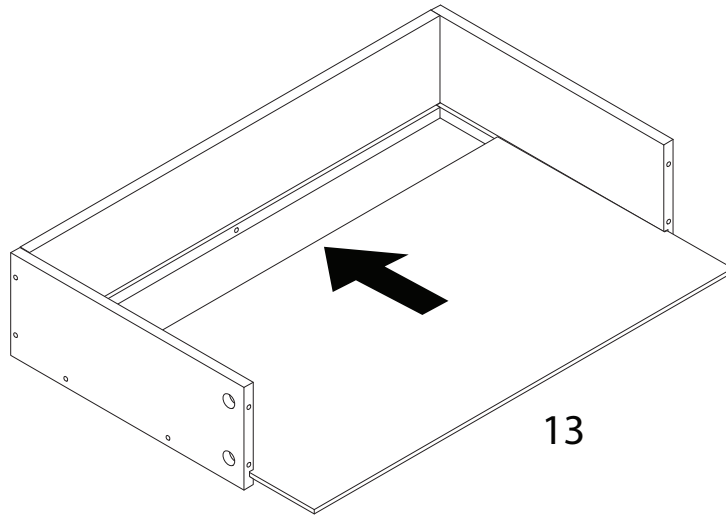
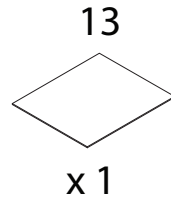


22 x 6

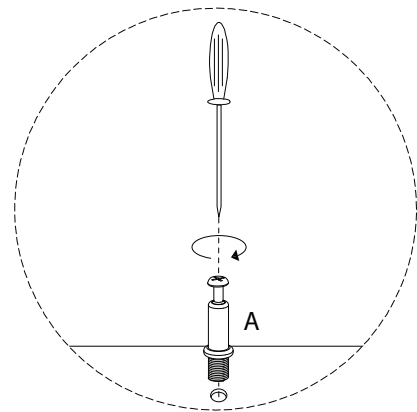
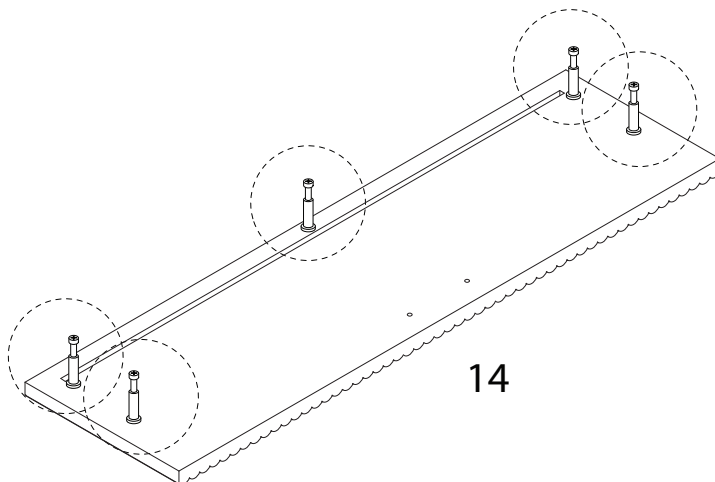
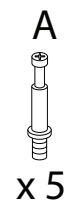
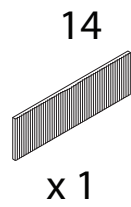




23 x 6

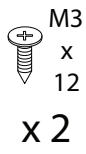


24 x 6

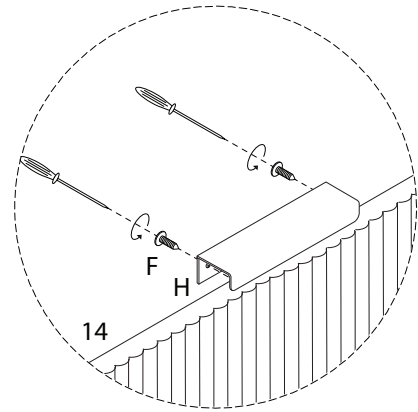
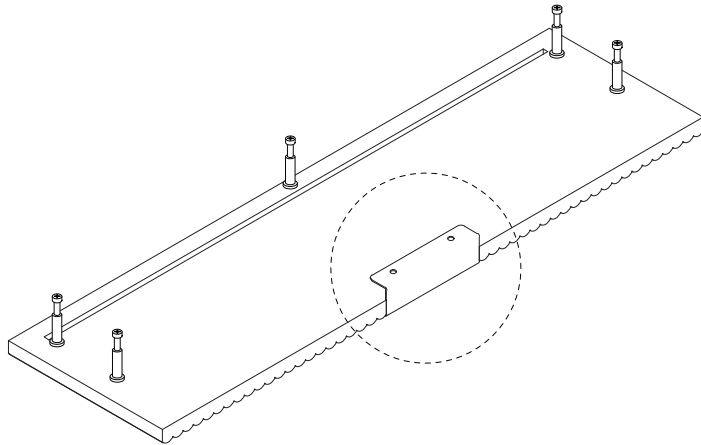
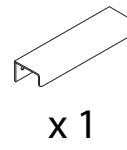


25 x 6

F



H

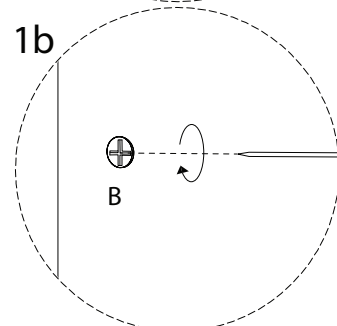
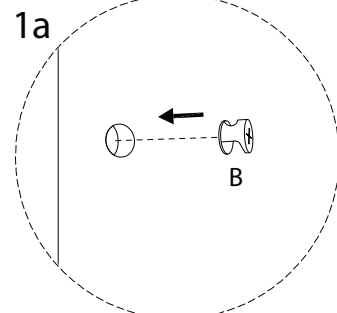
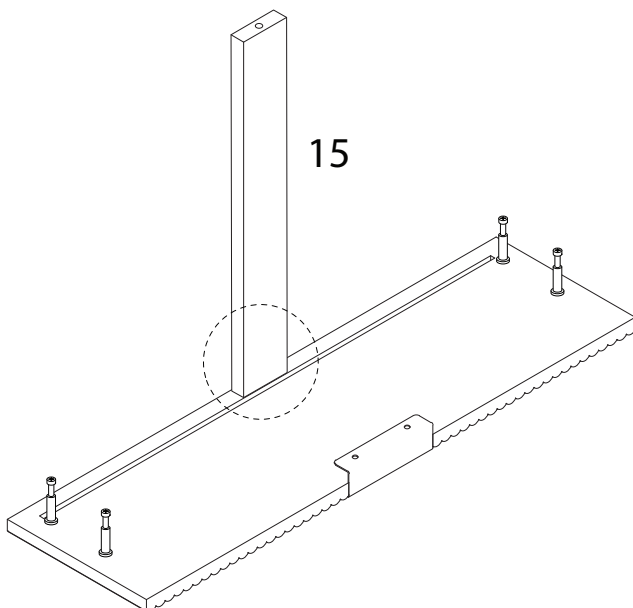


26 x 6

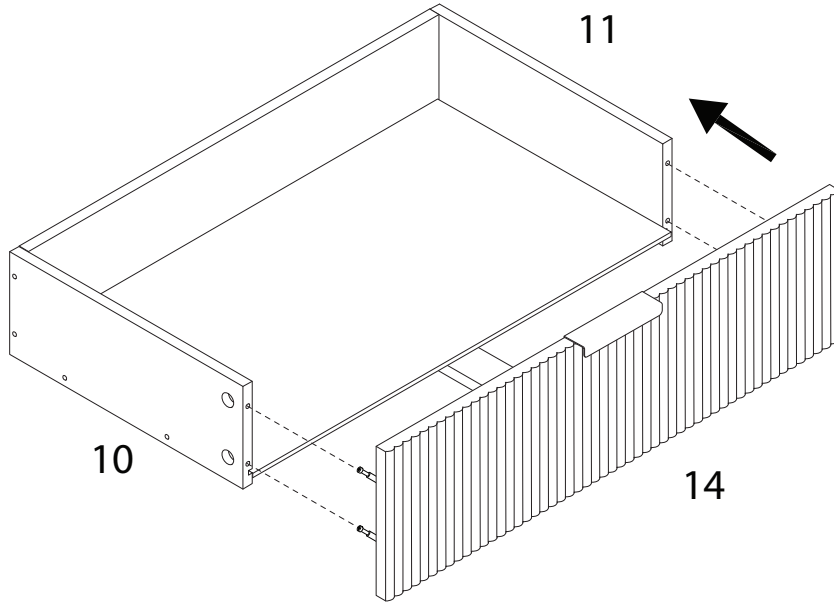
15

x 1

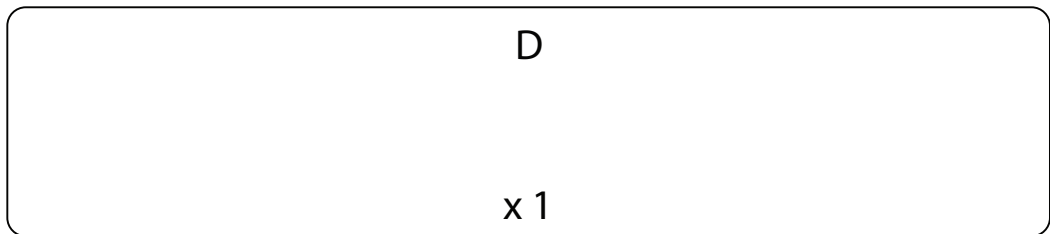
B



27 x 6



28 x 6

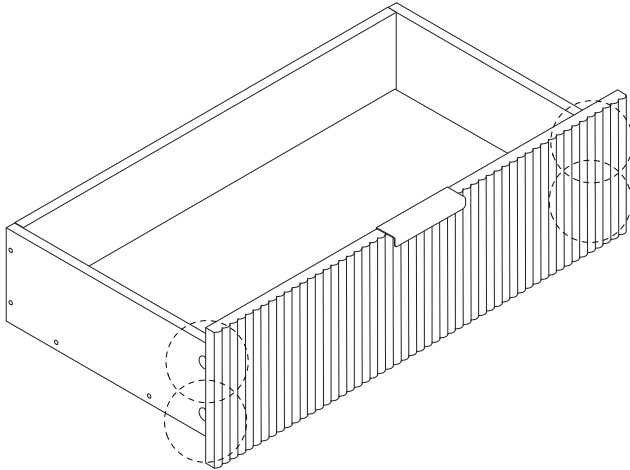


29 x 6

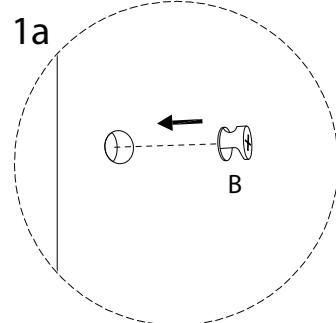
B



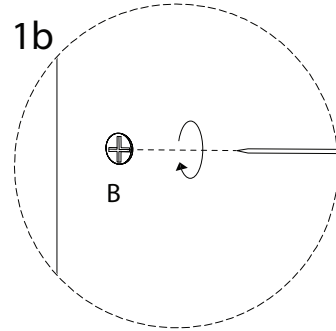
x 4



1a

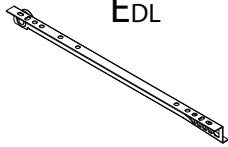


1b



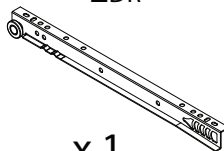
30 x 6

EDL



x 1

EDR

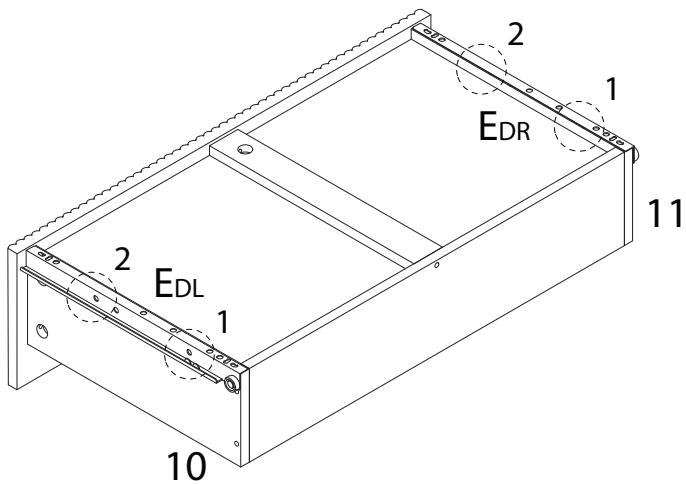


x 1

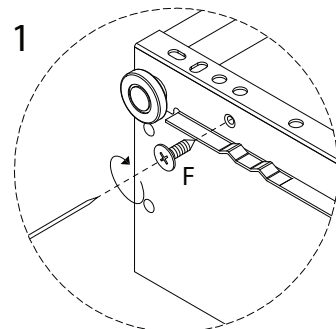
F



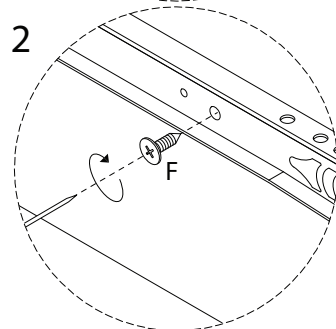
x 4



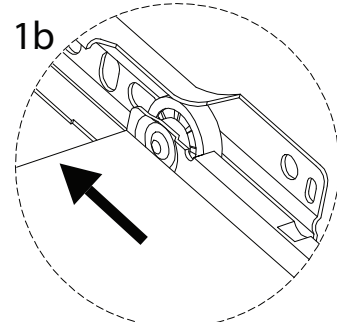
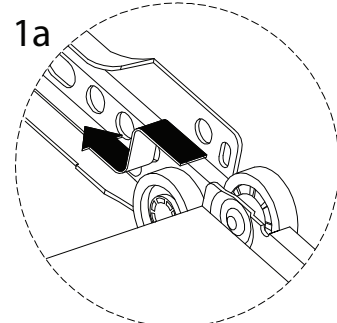
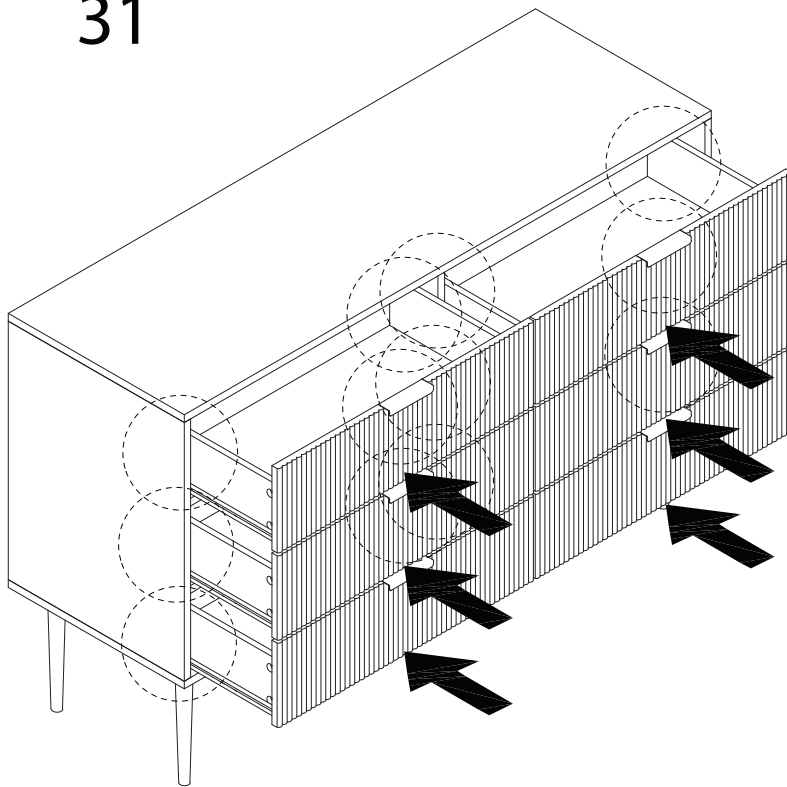
1



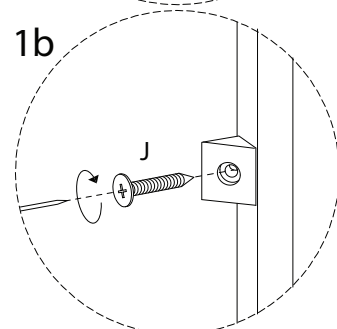
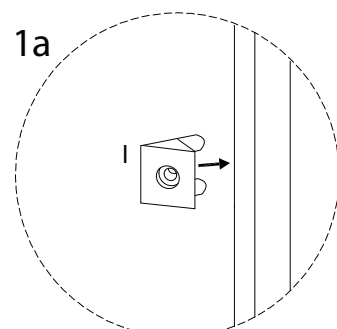
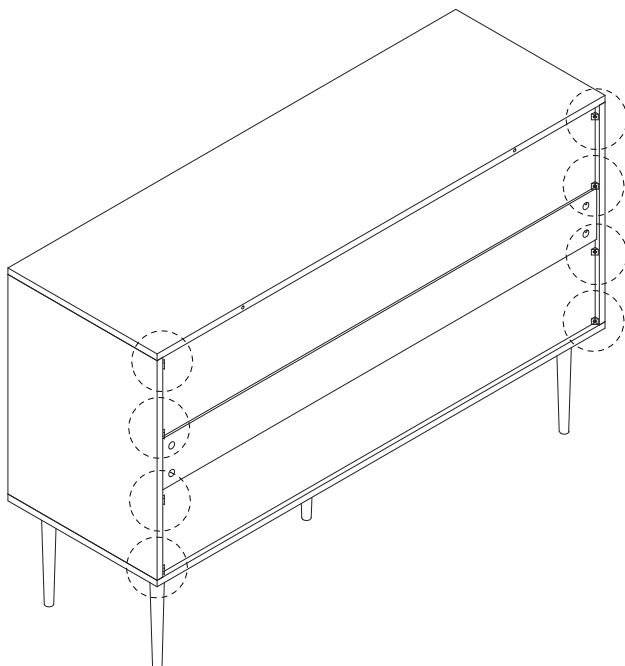
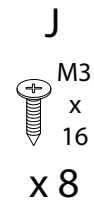
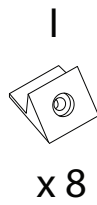
2



31



32



33

G

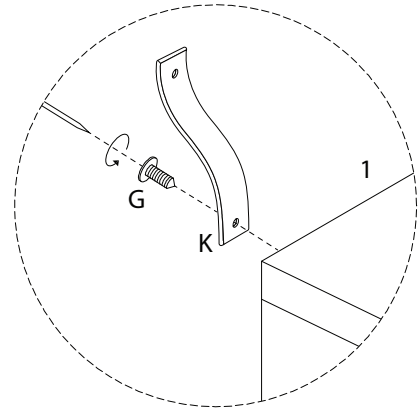
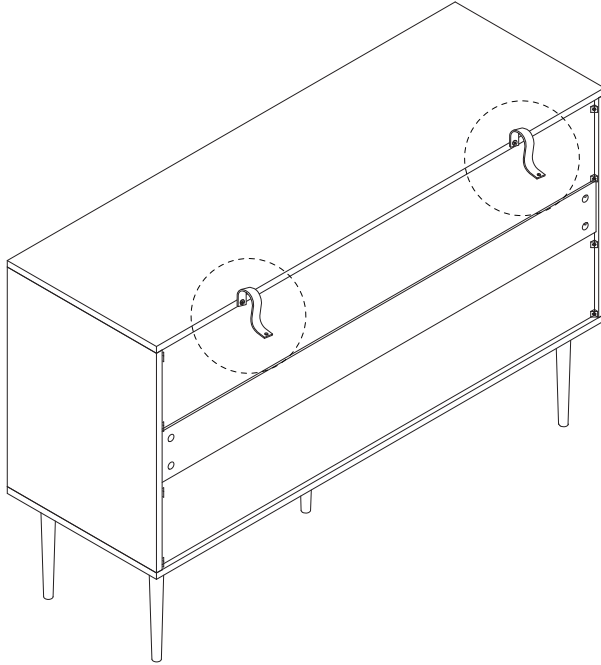


x 2

K



x 2



34

D



x 2

L



x 2

