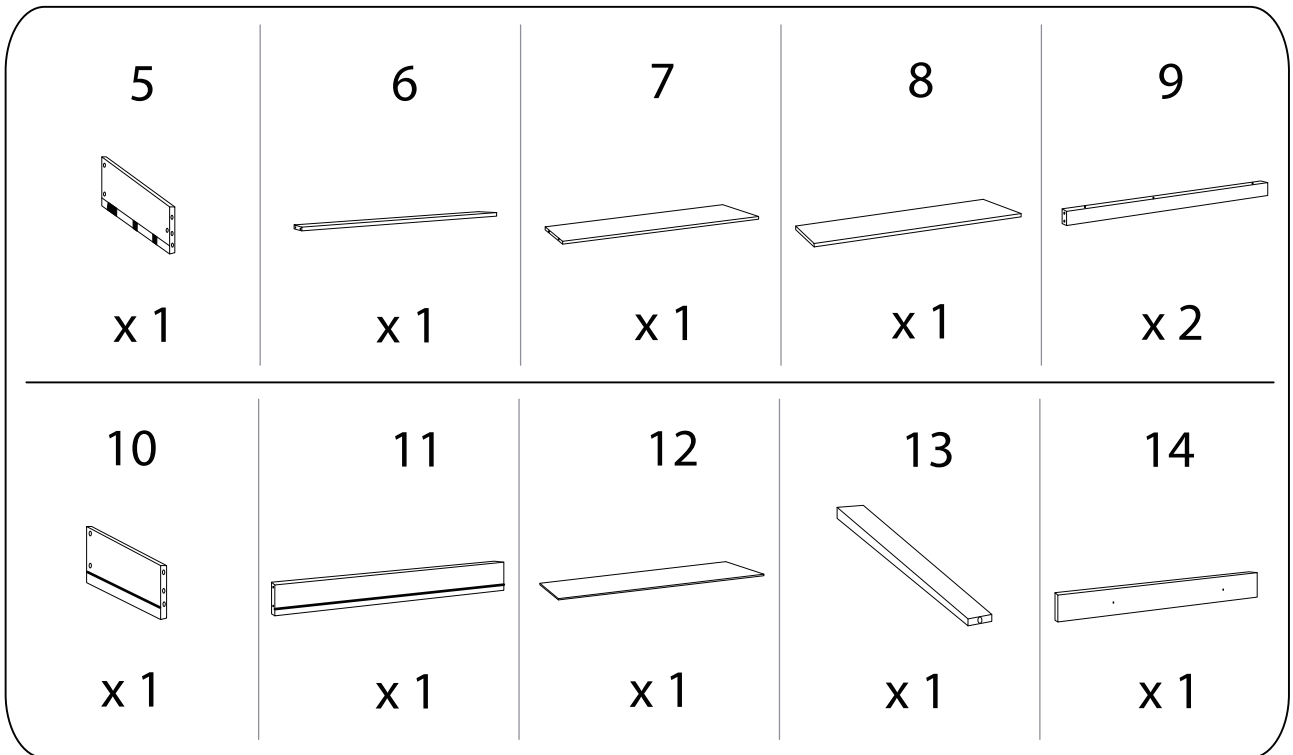
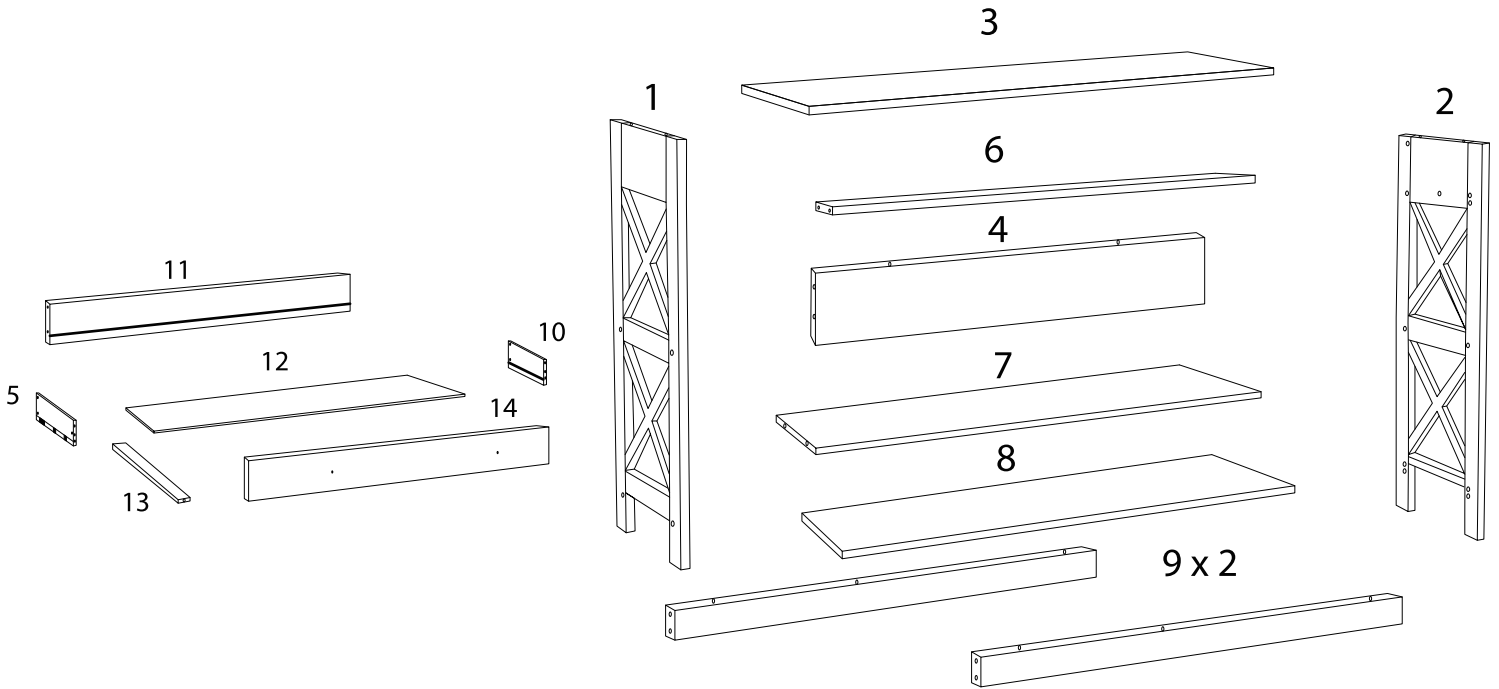
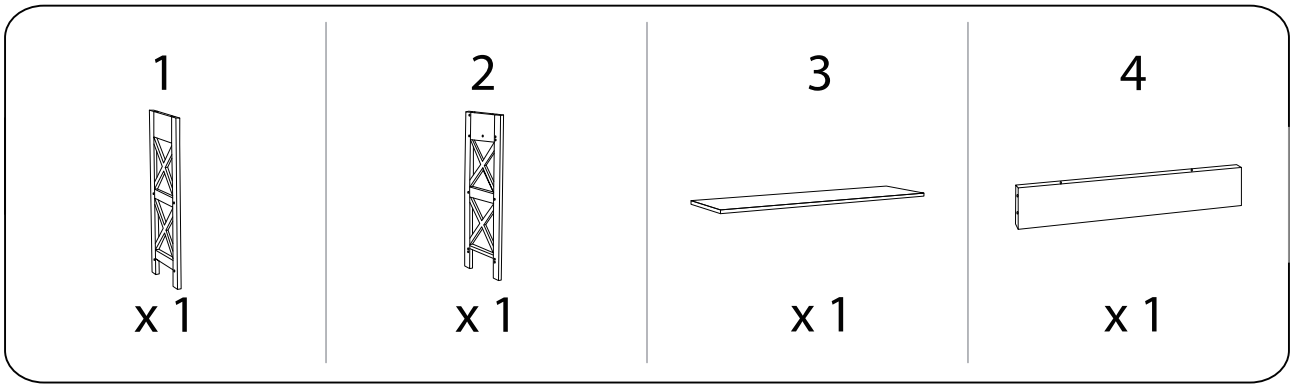
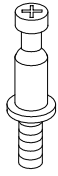


Assembly instructions for step 1/11:

- Tools:** A circle containing a screwdriver and a crossed-out power drill icon, with a warning triangle above.
- Time:** A clock icon with the text "40'" below it.
- Personnel:** A person icon with the number "1" below it.
- Assembly Note:** A circle containing a block being placed on a surface and a crossed-out block being placed on a surface, with a warning triangle above.

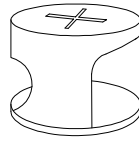


A



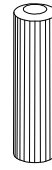
x 17

B



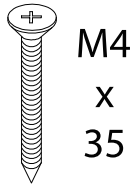
x 17

C



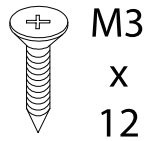
x 4

D



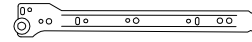
x 13

E



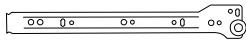
x 4

F



x 1

G



x 1

H



x 2

I



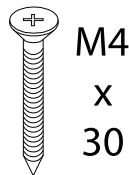
x 2

J



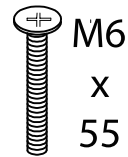
x 4

K



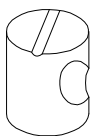
x 2

L



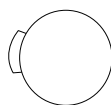
x 8

M



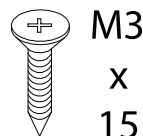
x 8

N



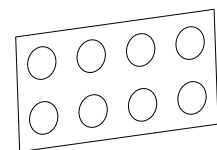
x 2

O



x 2

P



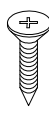
x 8

1

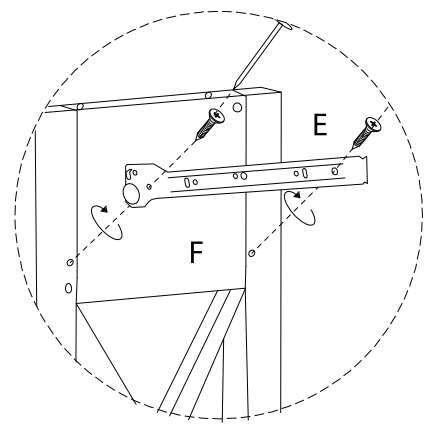
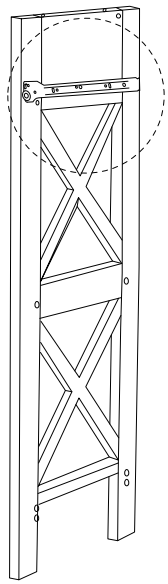
1
x 1



E
M3
x
12
x 2



F
x 1



2

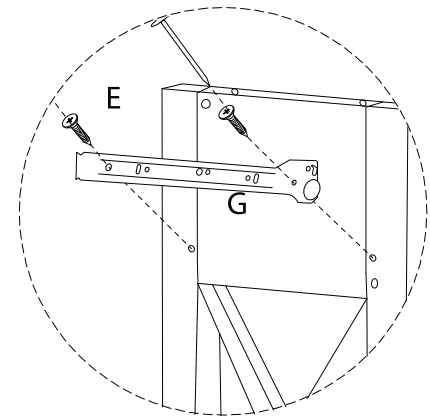
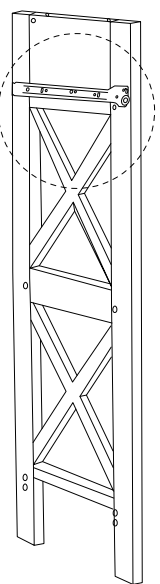
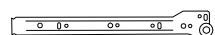
2
x 1



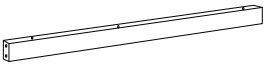

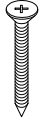
E
M3
x
12
x 2

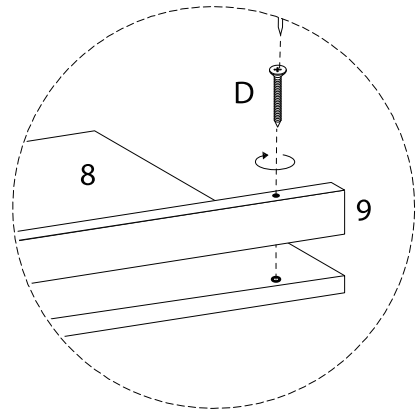
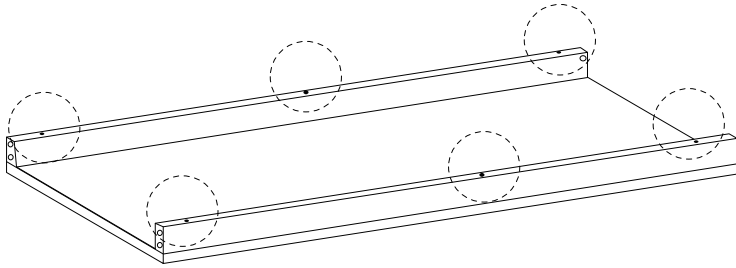


G
x 1



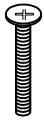


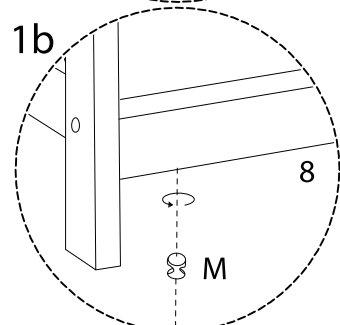
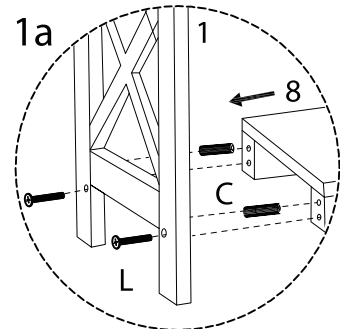
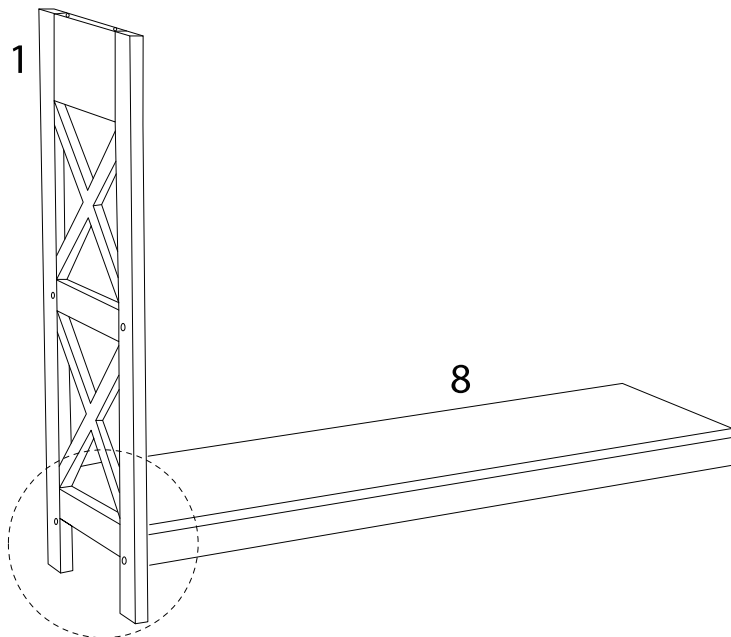
3

9  x 2	8  x 1	D  M4 x 35 x 6
---	---	--



4

M  x 2	C  x 2	L  M6 x 55 x 2
---	---	--



5

M



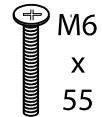
x 2

7

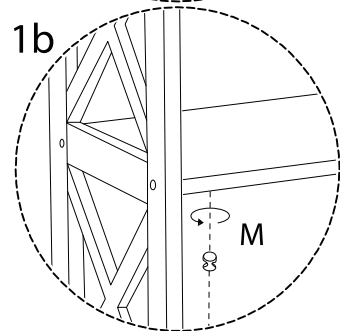
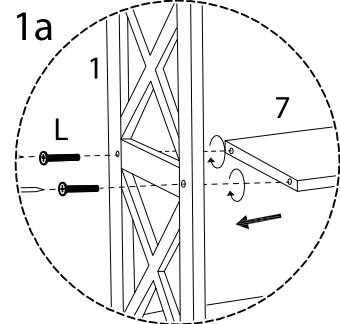
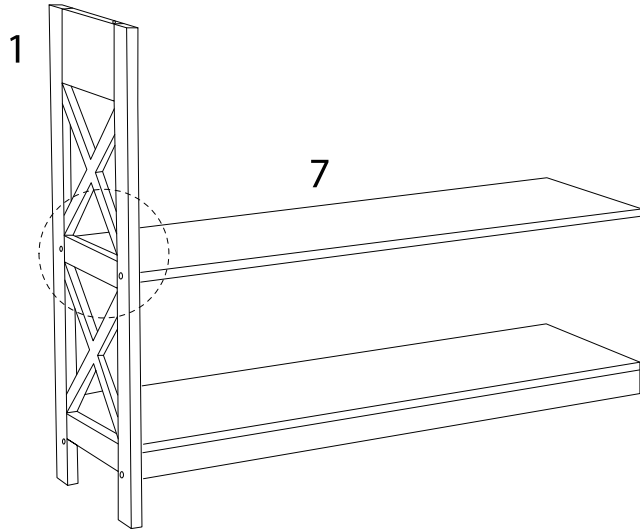


x 1

L



x 2



6

A



x 2

4

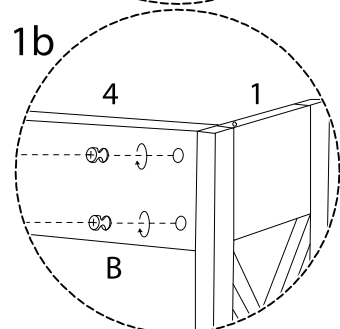
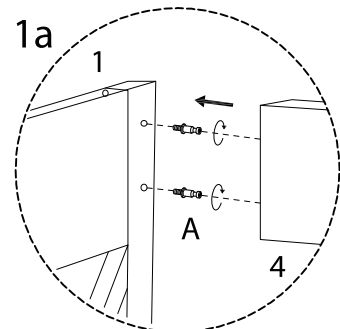
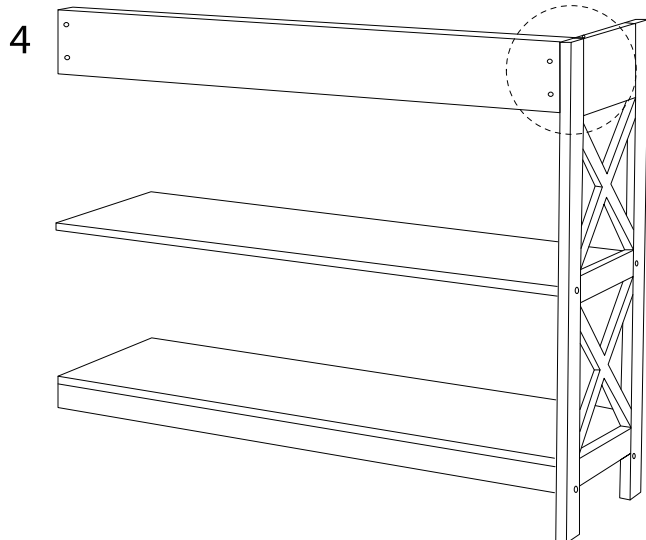


x 1

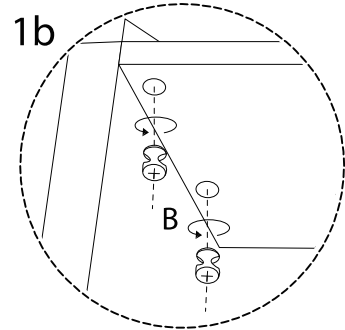
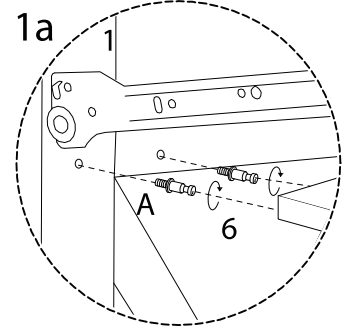
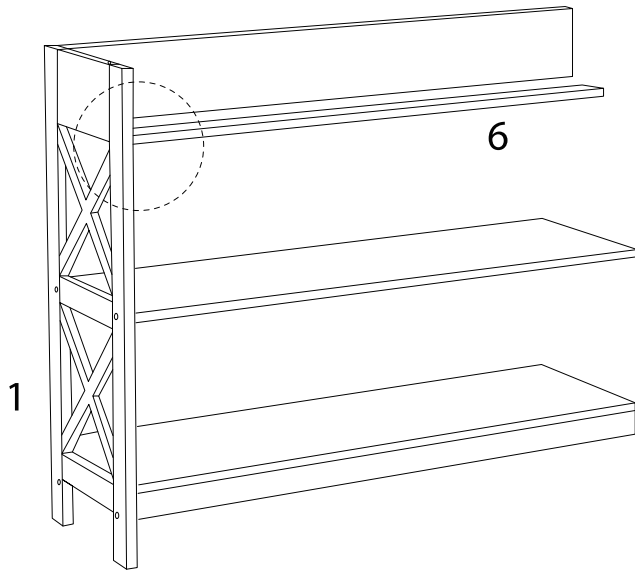
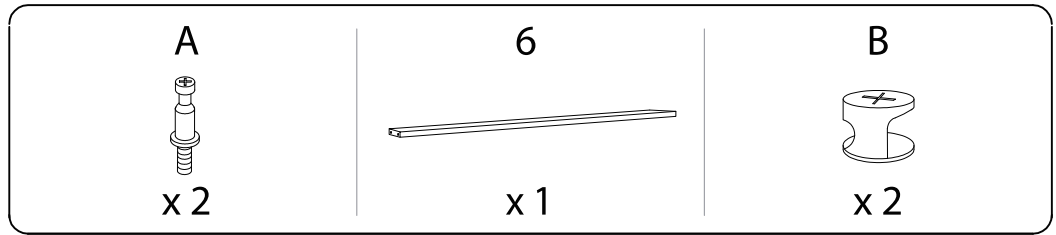
B



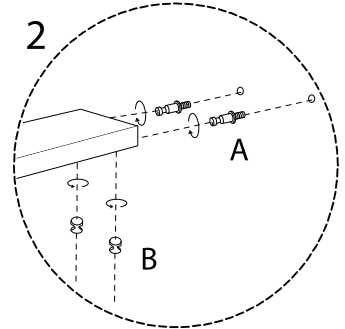
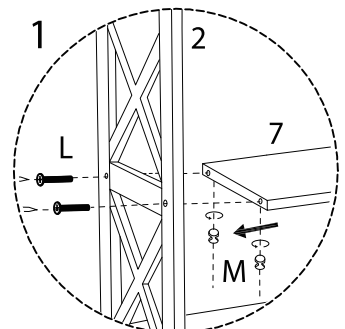
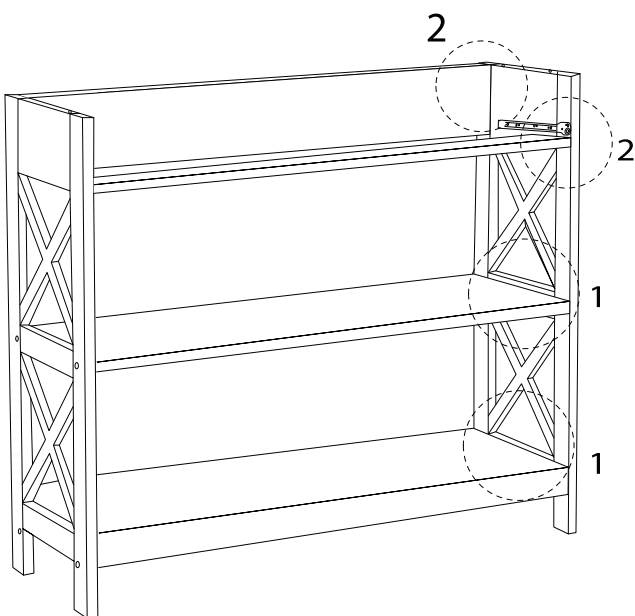
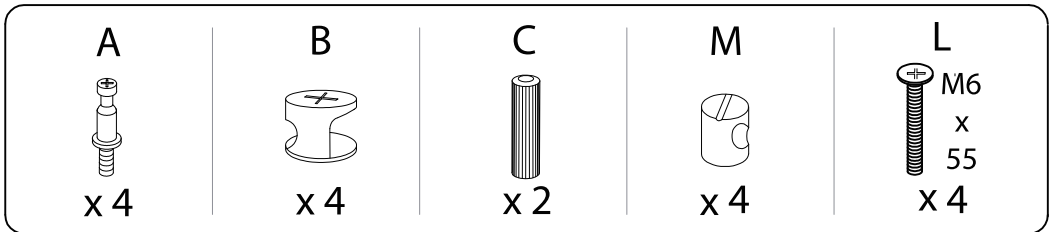
x 2



7



8



9

A

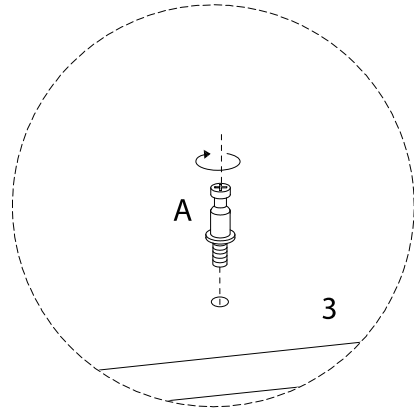
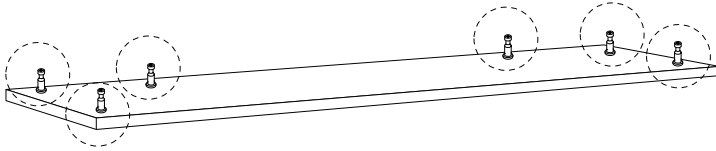


x 6

3



x 1

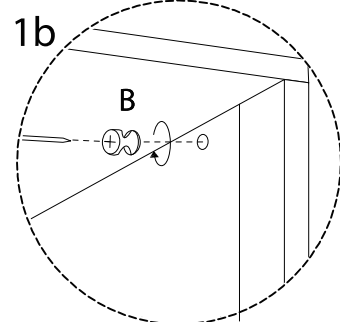
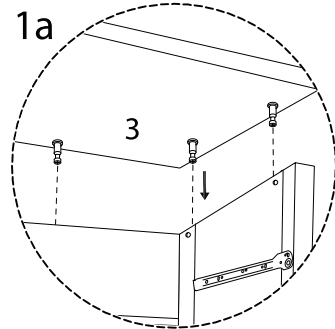
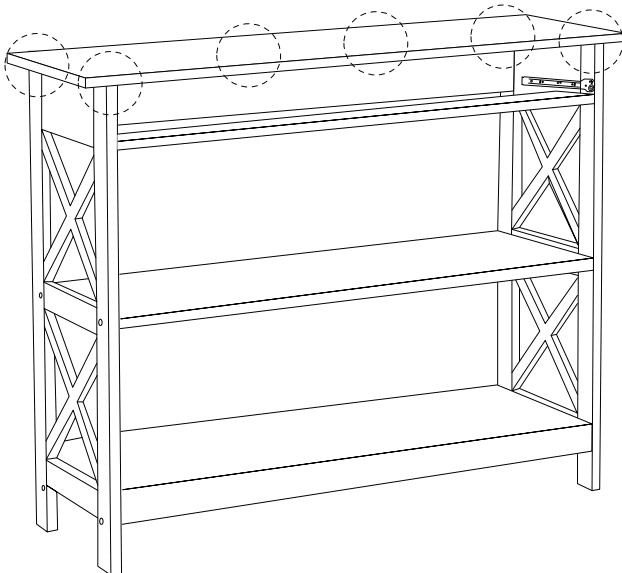


10

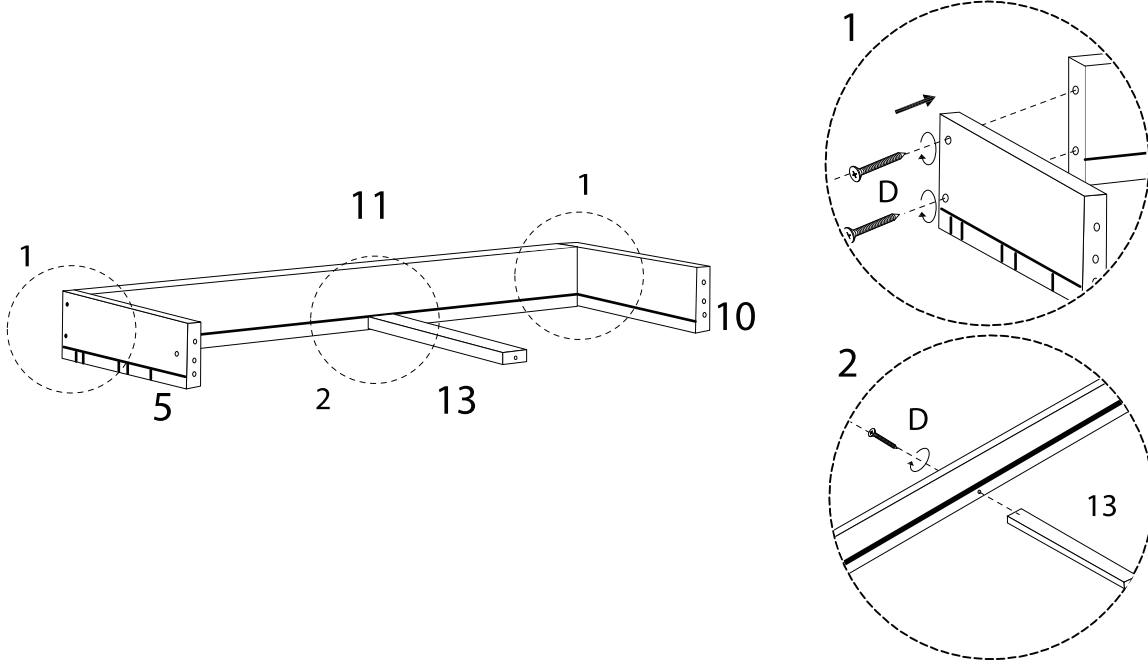
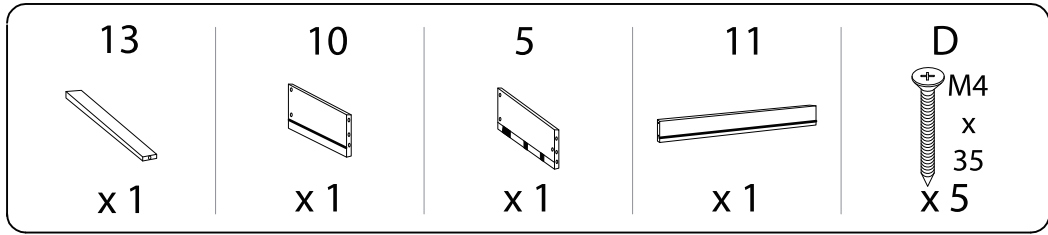
B



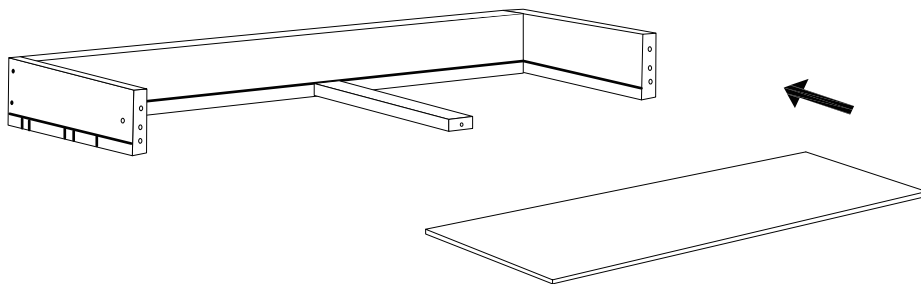
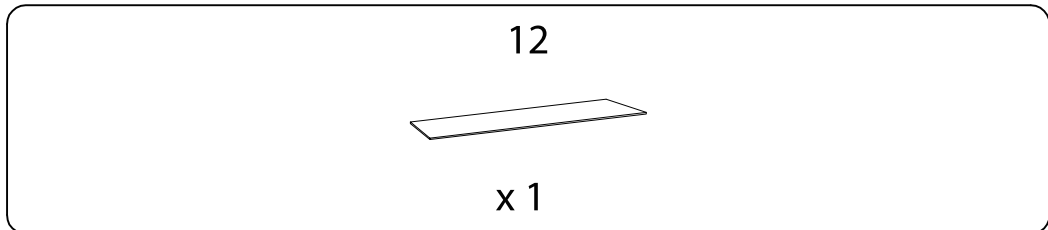
x 6



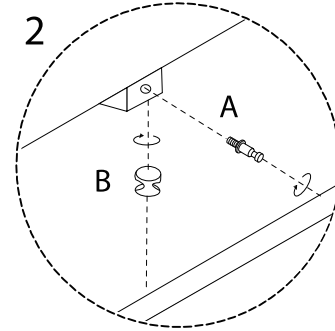
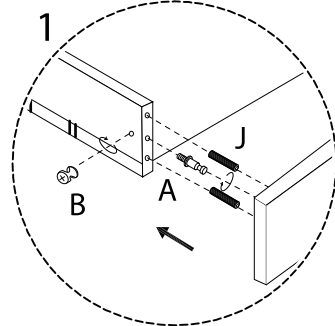
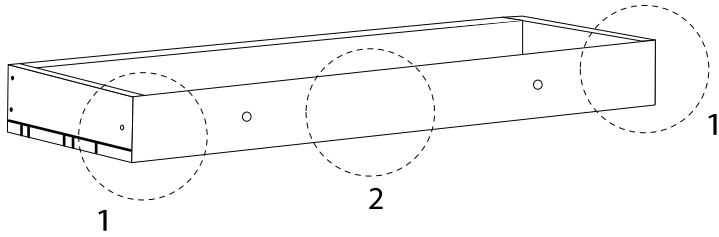
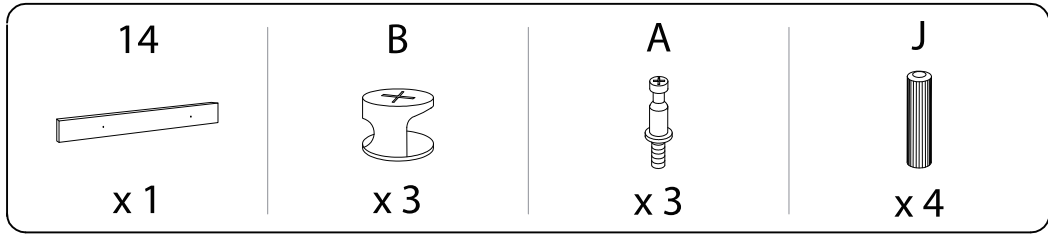
11



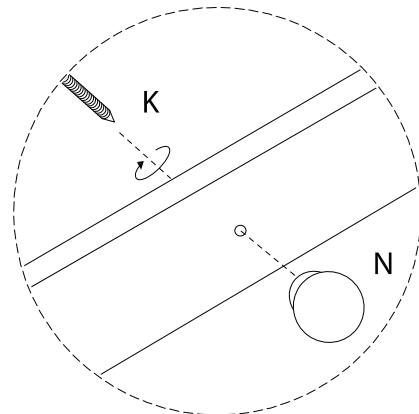
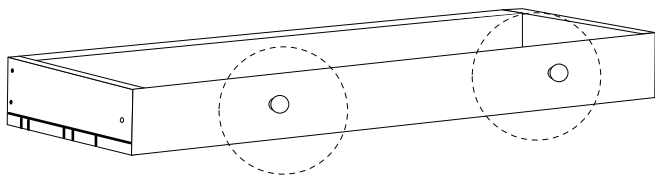
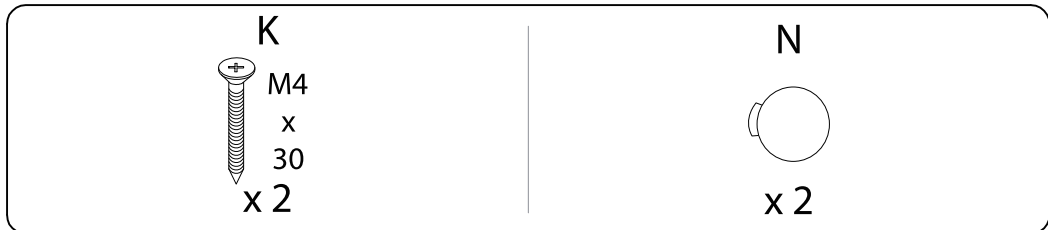
12



13

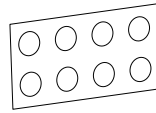


14

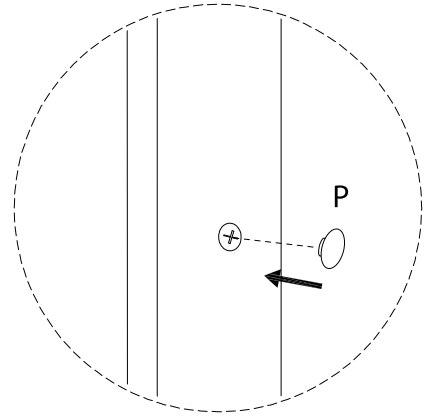
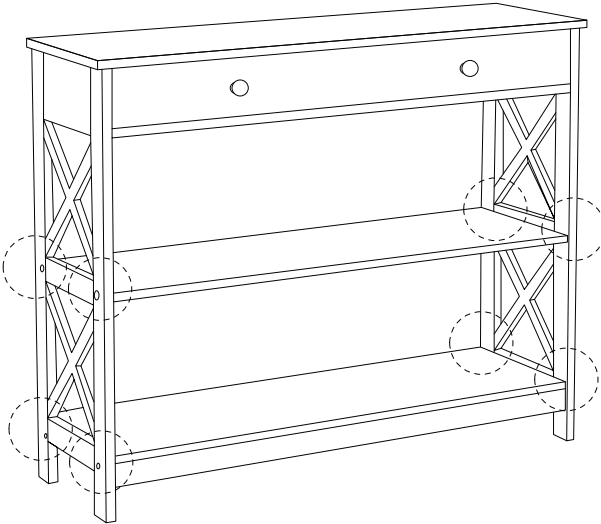


15

P

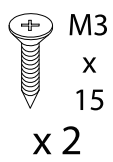


x 8



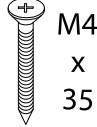
16

O



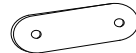
x 2

D



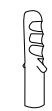
x 2

I



x 2

H



x 2

