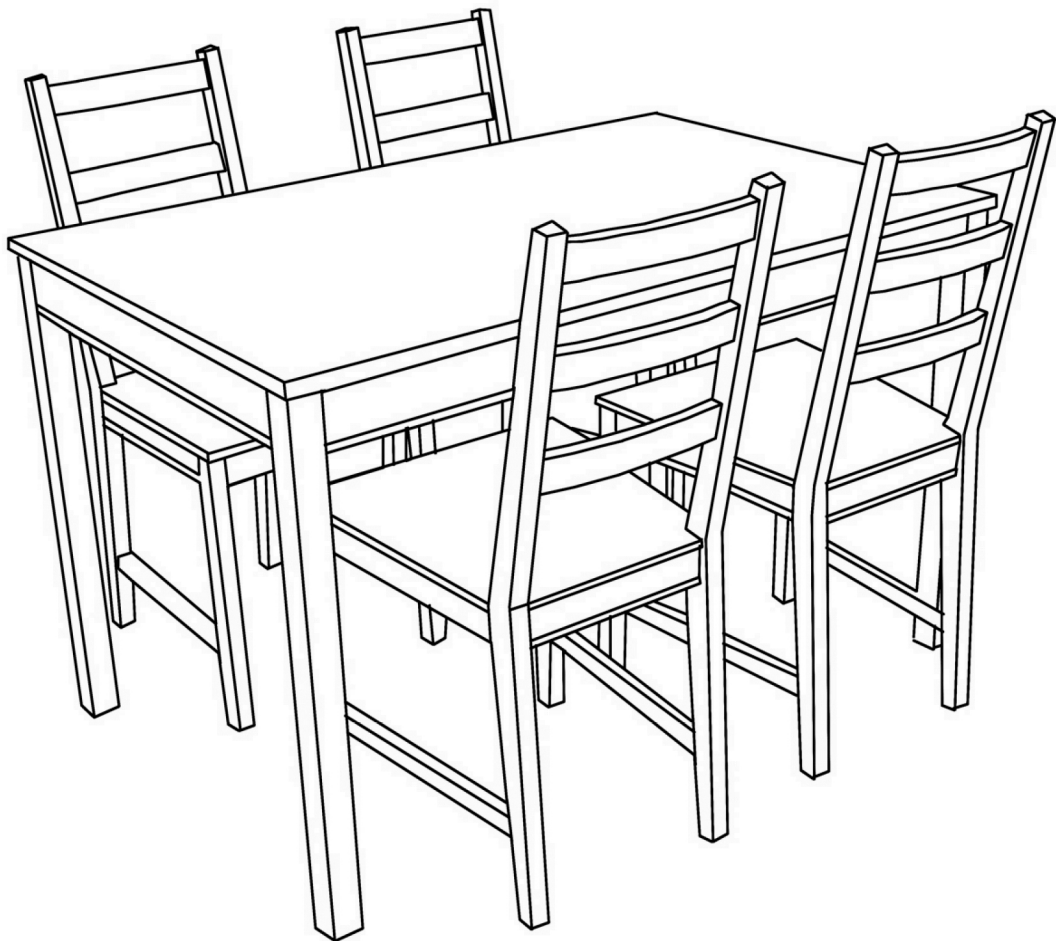
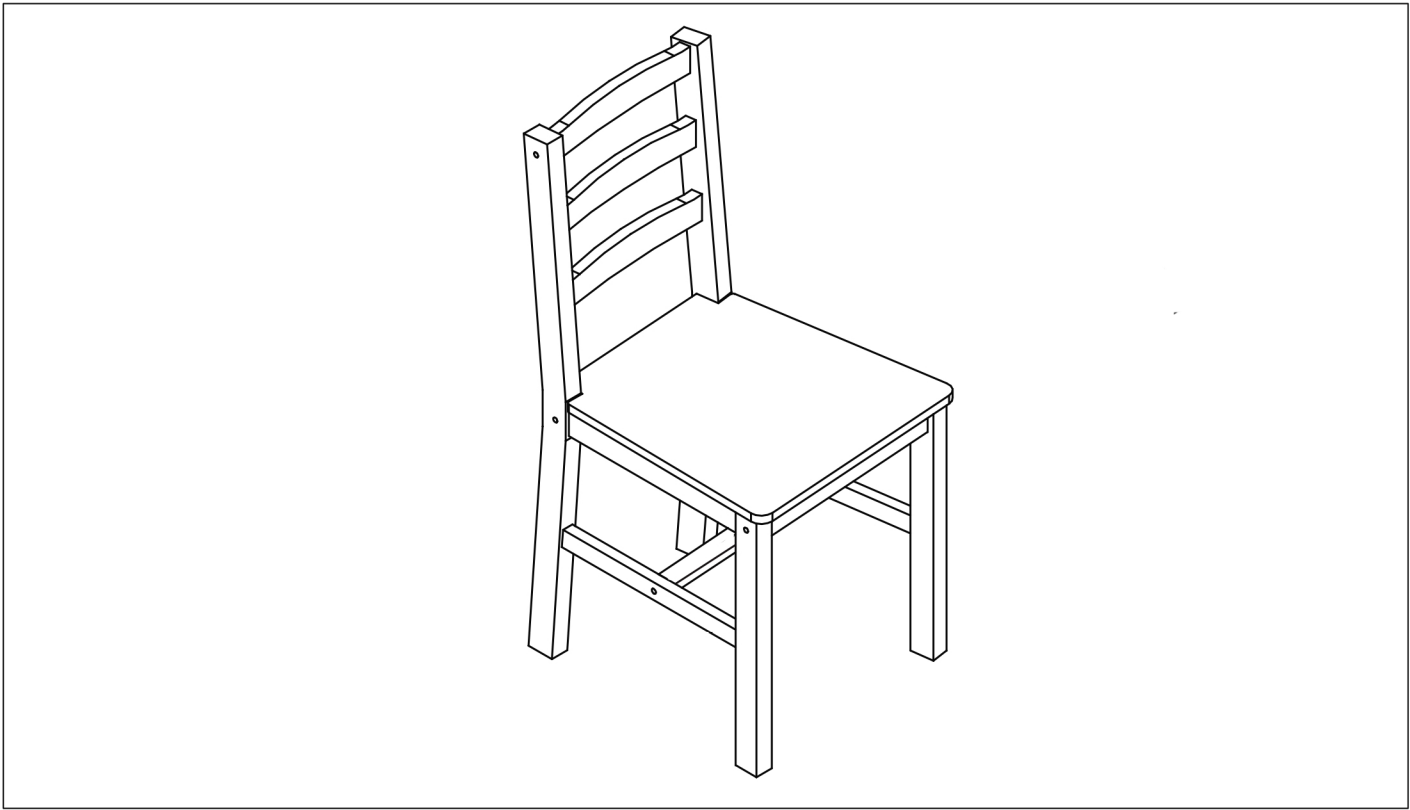



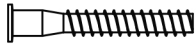


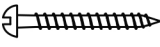
ASSEMBLY INSTRUCTION

70471

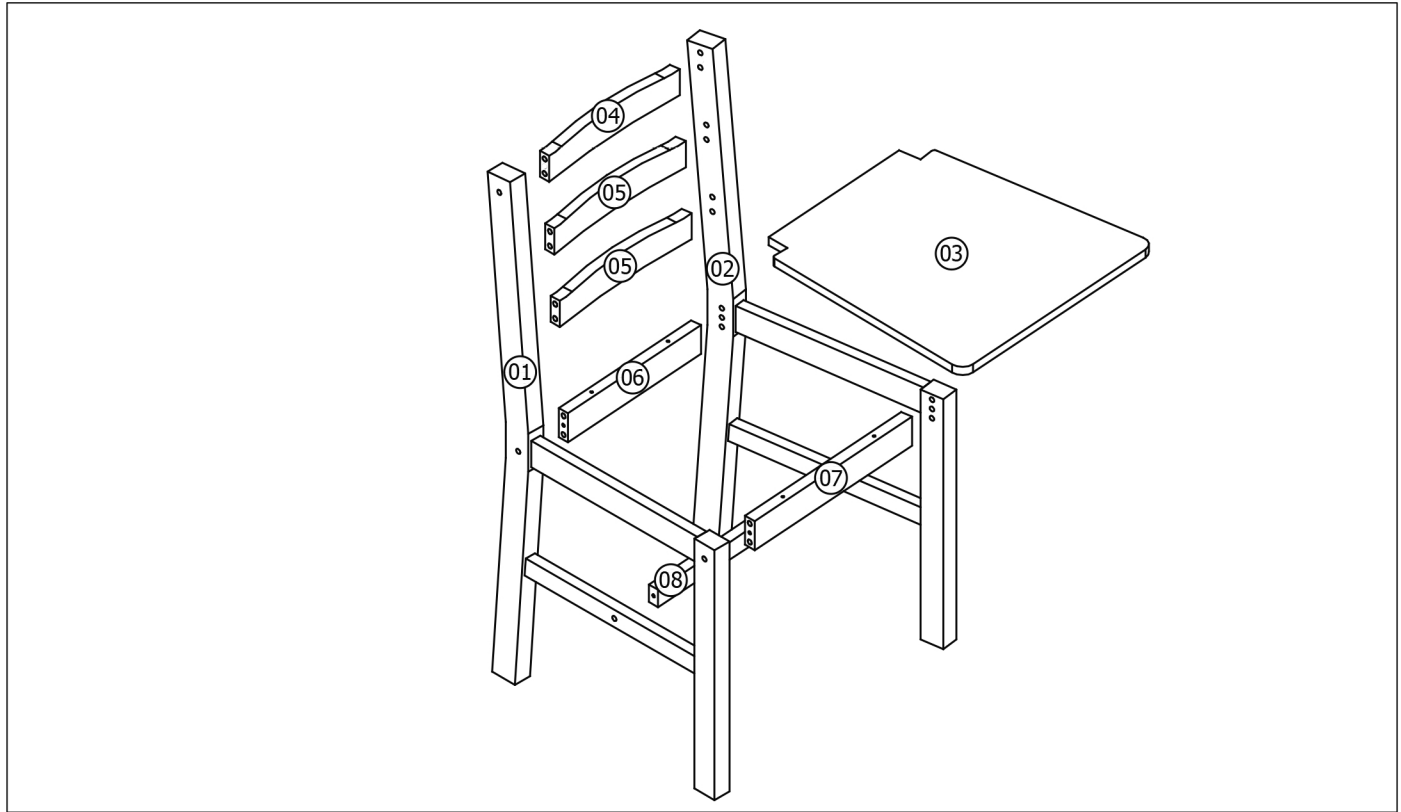




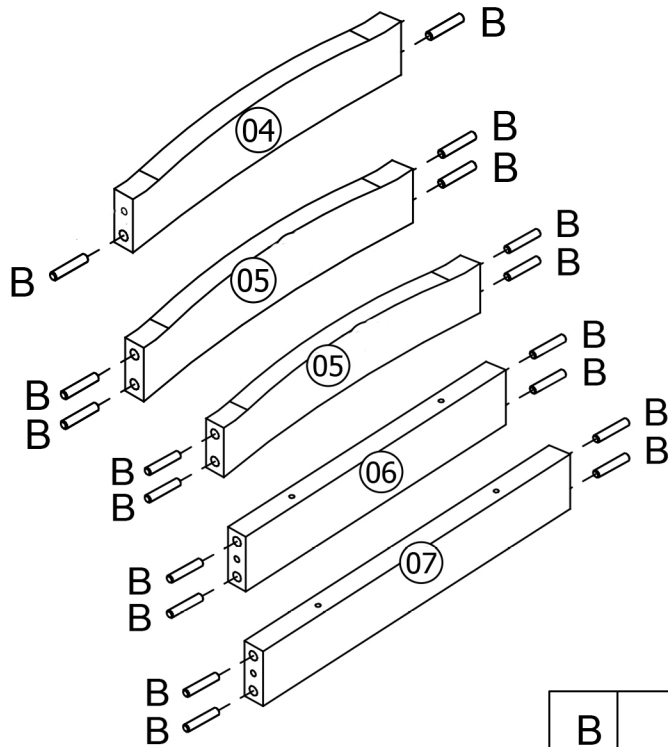
HARDWARE


A	  Ø7 x70mm	32
B	 Ø8 x30mm	72
C	  Ø4 x40mm	16

F		01
---	---------------------------------------------------------------------------------------	----

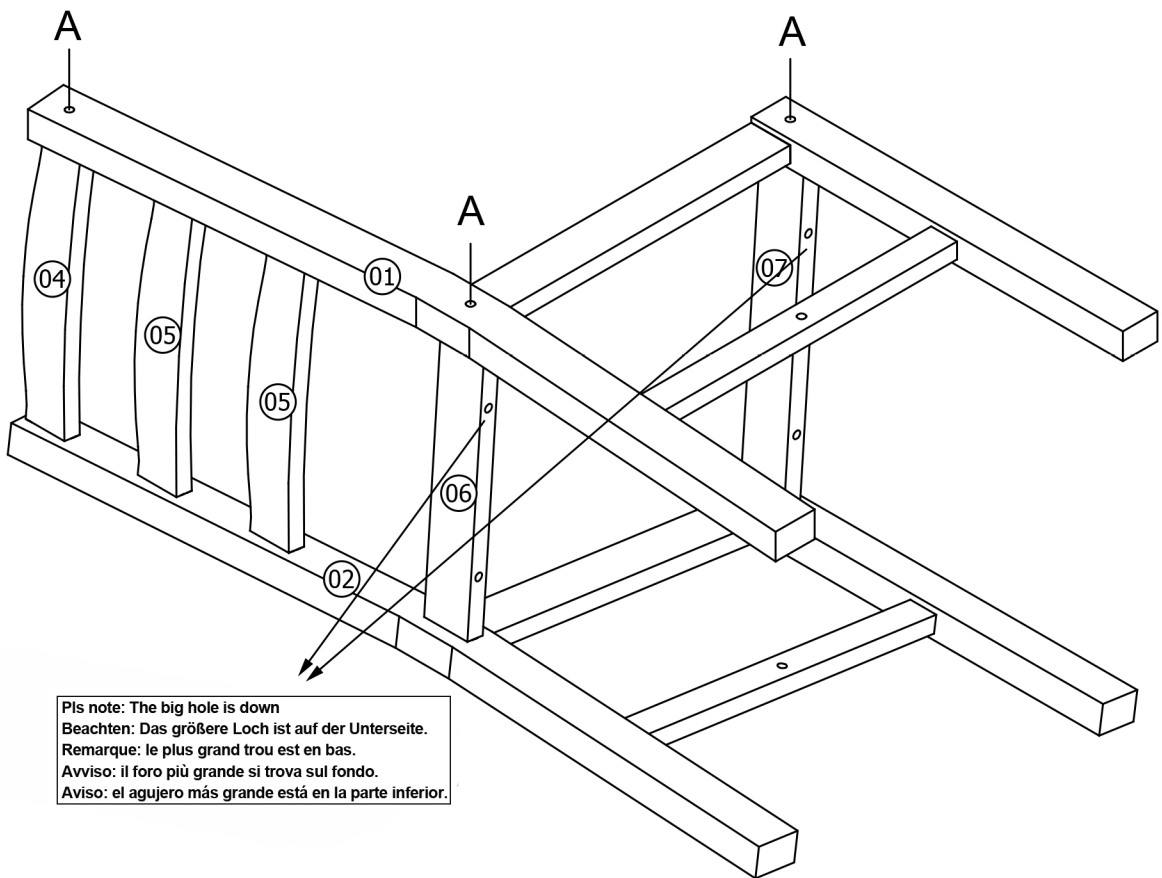


01

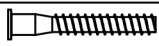


B	 Ø8 x30mm	18
---	-------------------------------------------------------------------------------------------------	----

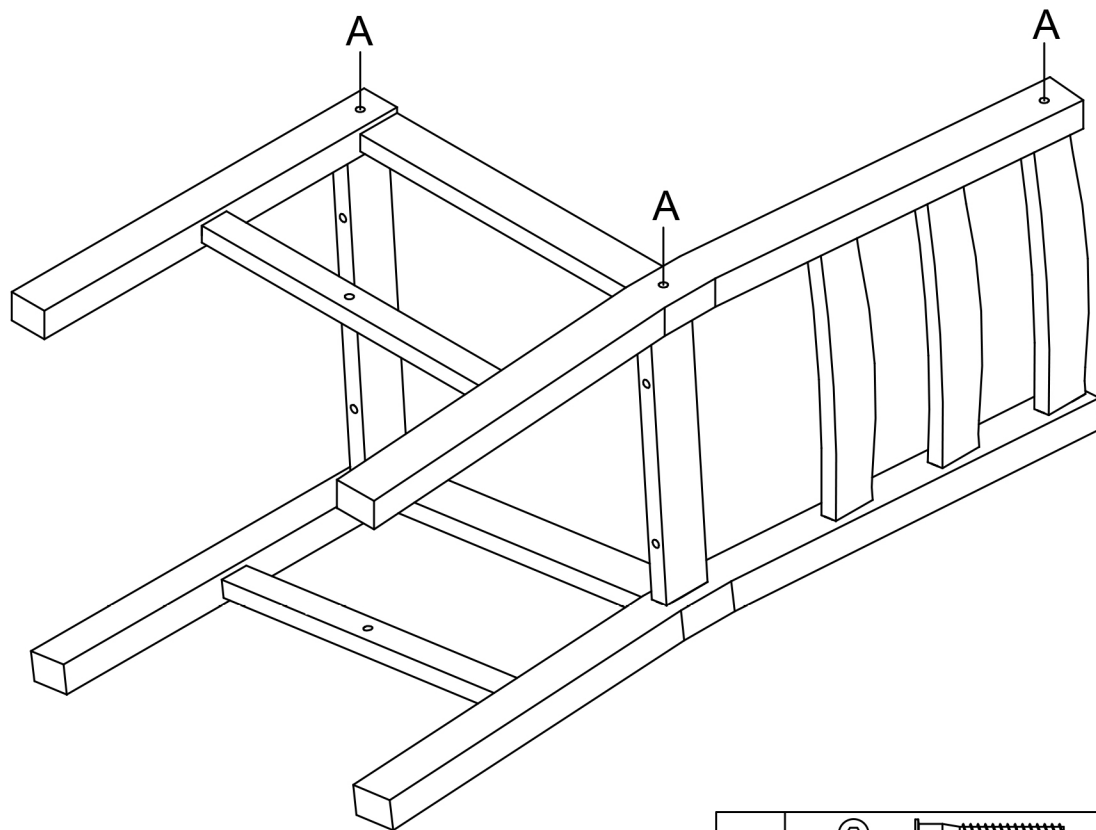
02


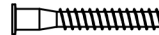


Pls note: The big hole is down
 Beachten: Das größere Loch ist auf der Unterseite.
 Remarque: le plus grand trou est en bas.
 Avviso: il foro più grande si trova sul fondo.
 Aviso: el agujero más grande está en la parte inferior.

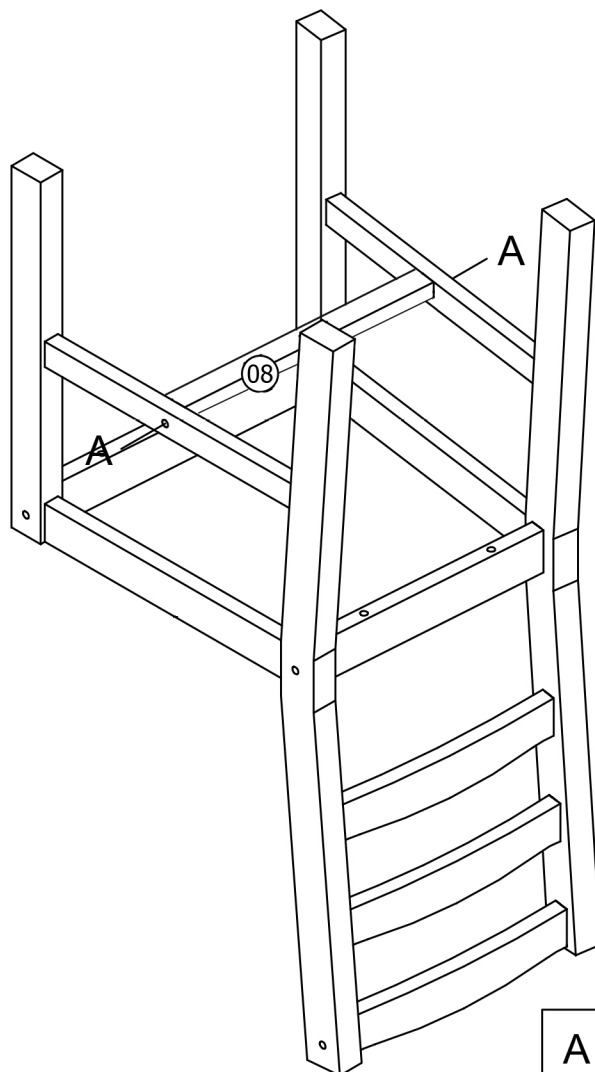
A	 Ø7 x70mm	03
---	---------------------------------------------------------------------------------------------------	----


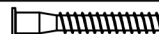
03



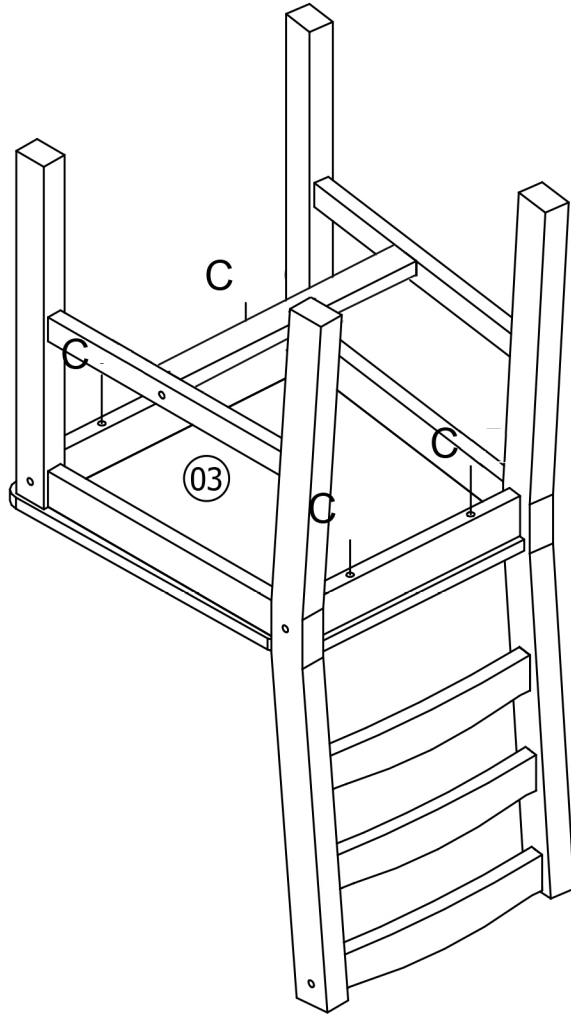
A		 Ø7 x70mm	03
---	-------------------------------------------------------------------------------------	-------------------------------------------------------------------------------------------------	----



04



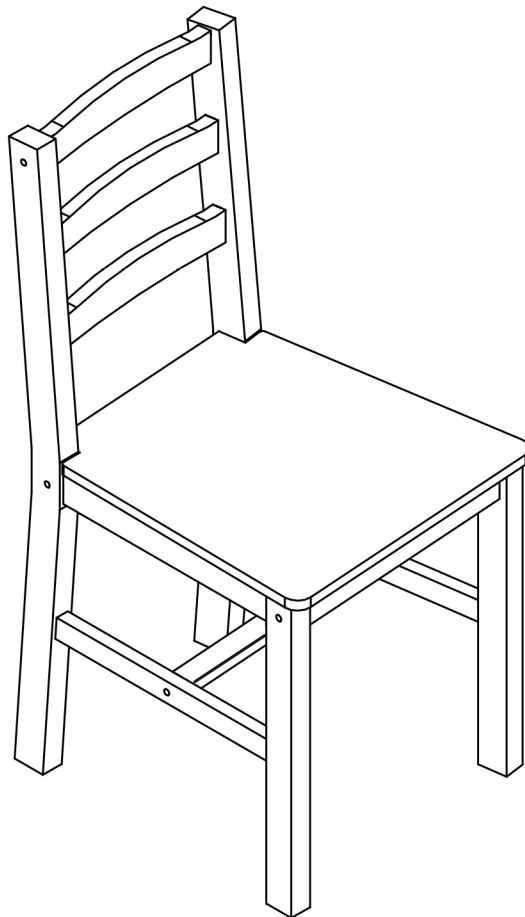
A		 Ø7 x70mm	02
---	---------------------------------------------------------------------------------------	---------------------------------------------------------------------------------------------------	----

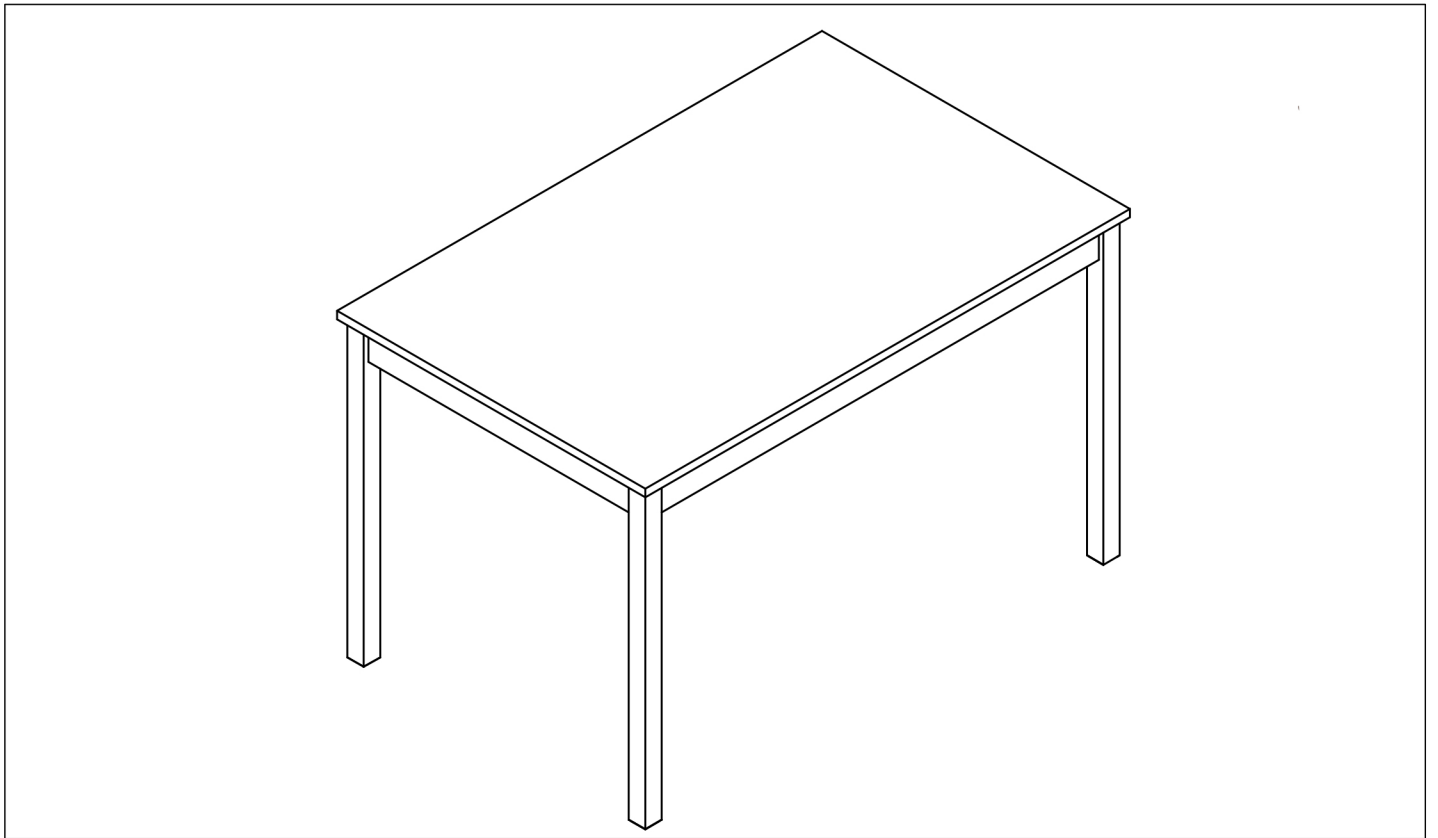
05




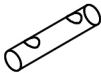

C	  Ø4 x40mm	04
---	-----------------------------------------------------------------------------------------------------------------------------------------------------------------------------------------	----


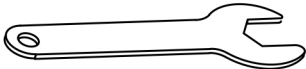
06

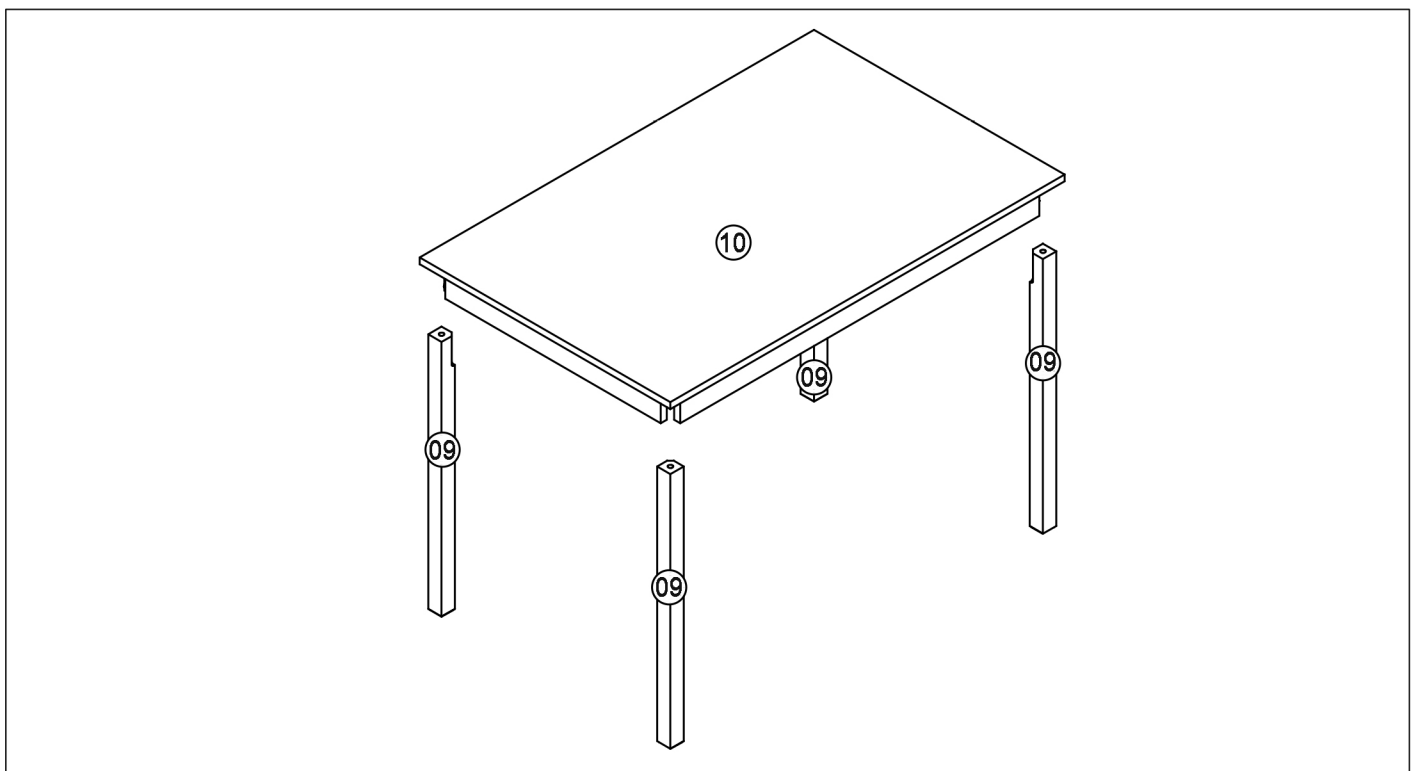




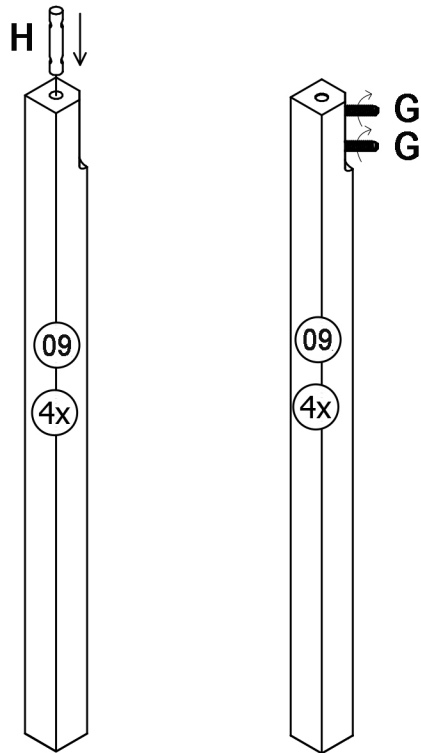
HARDWARE



G		08
H		04
I		08

J		08
K		01

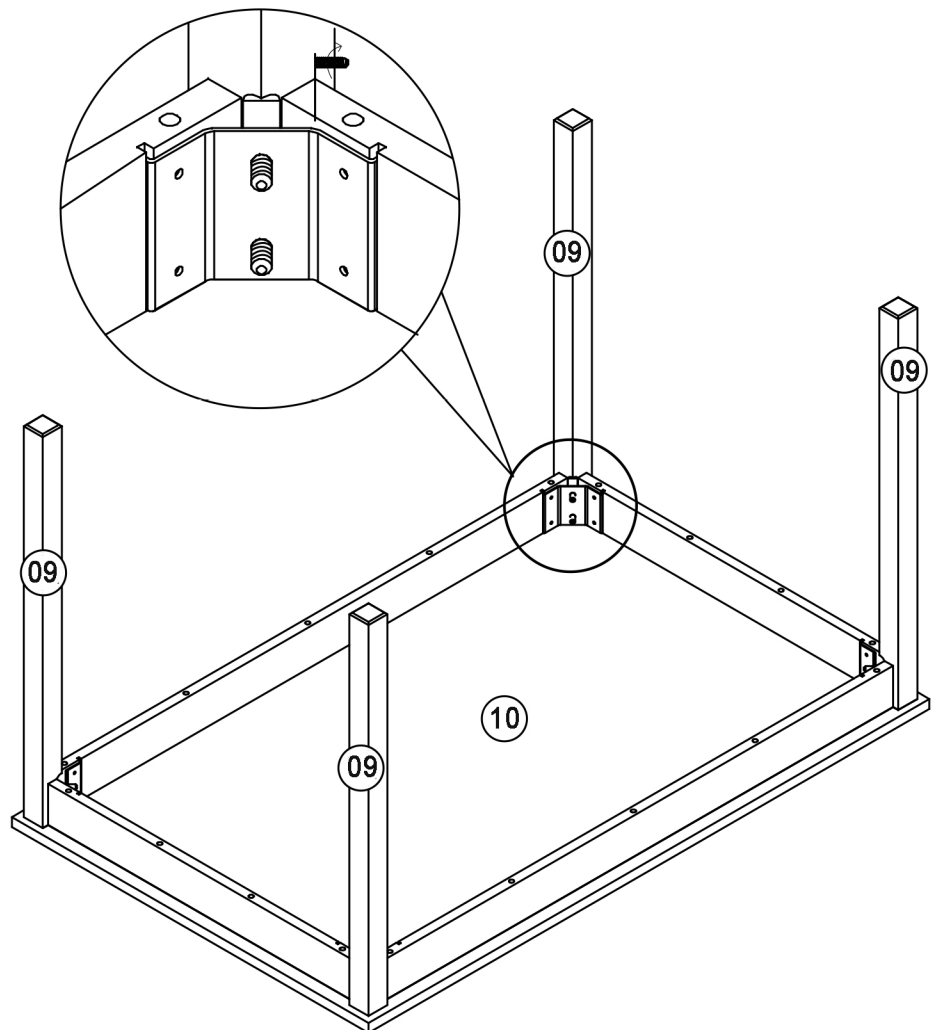


01

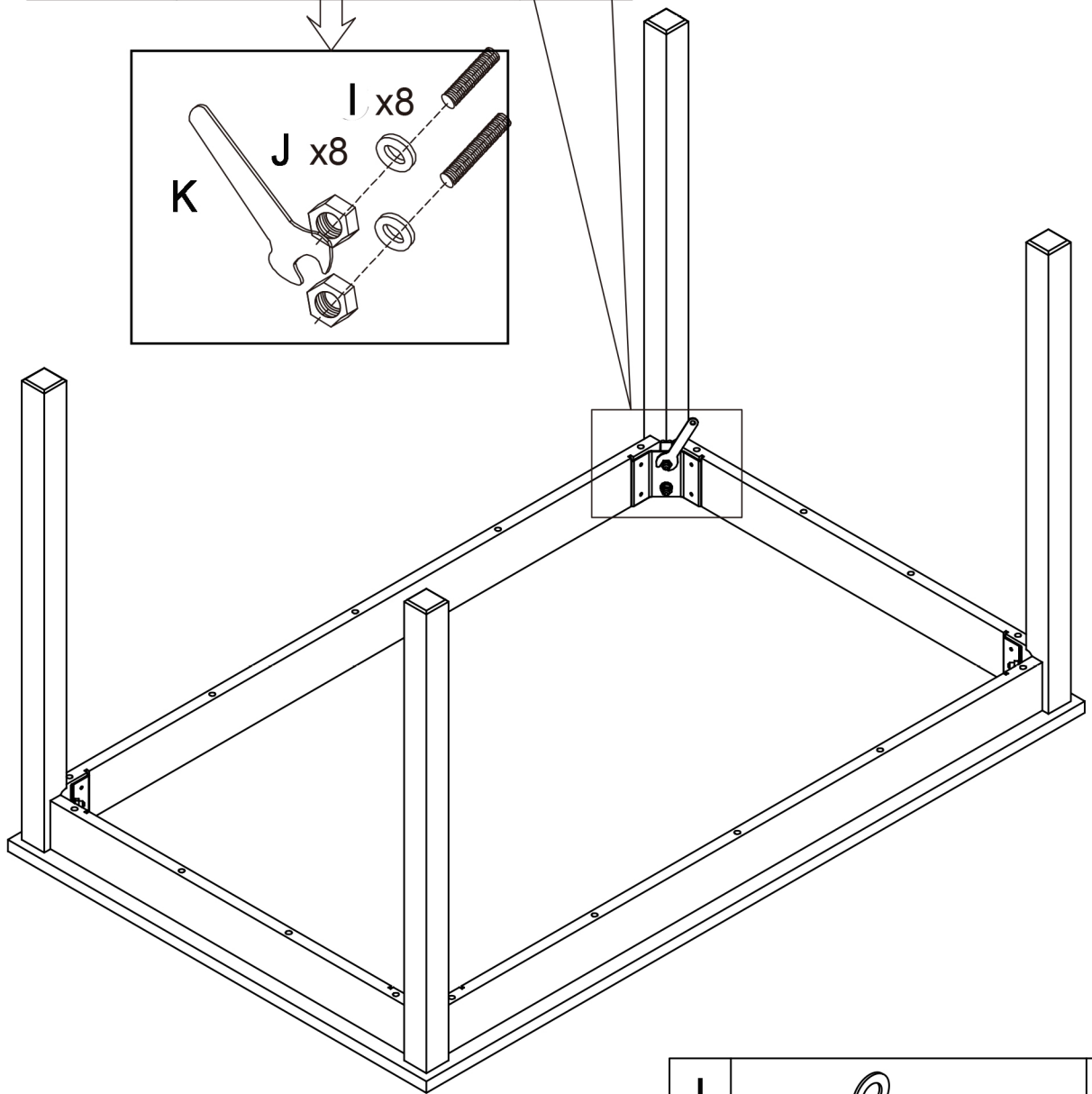
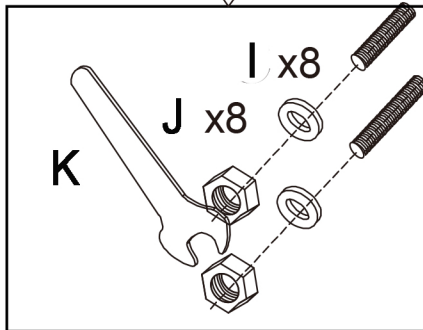
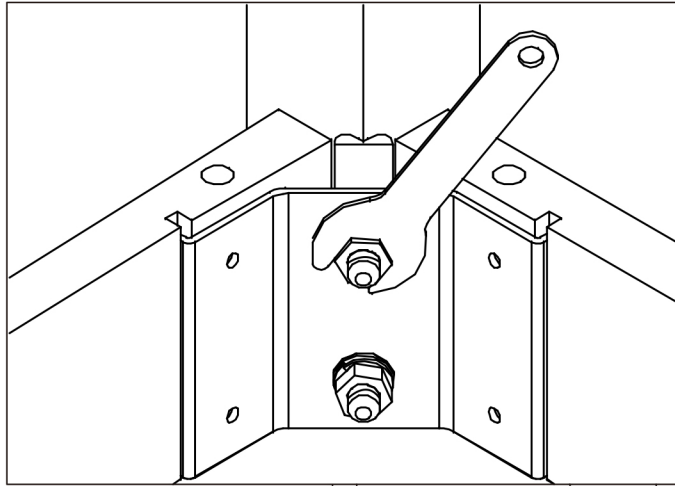




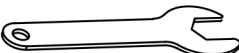
G		08
H		04

02



03



I		08
J		08
K		01