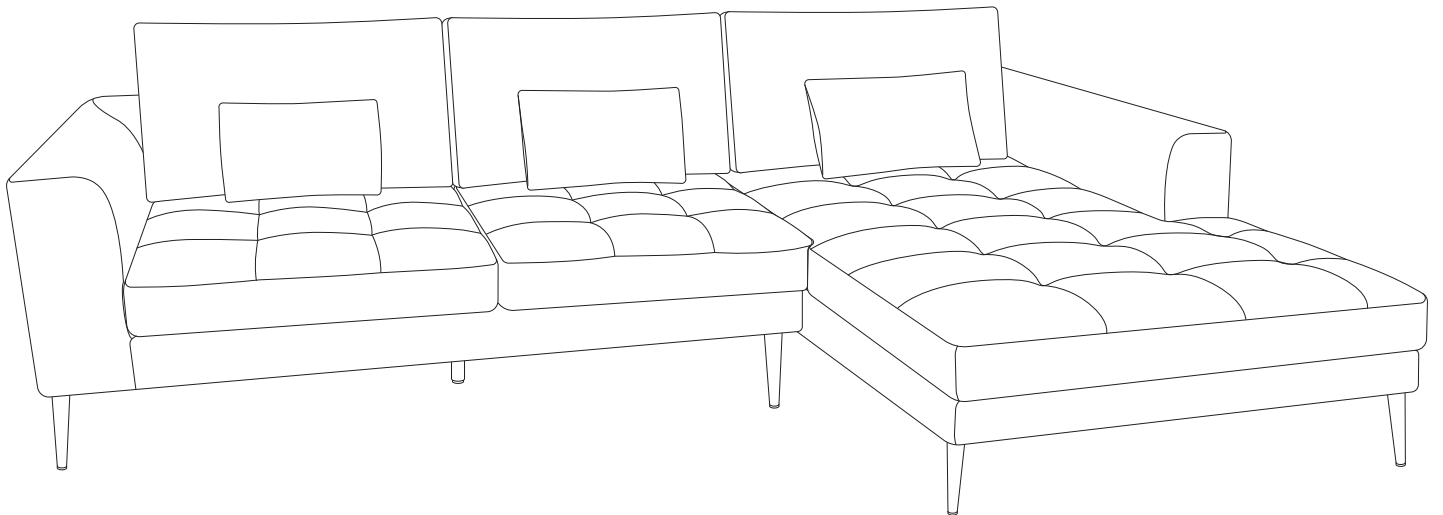
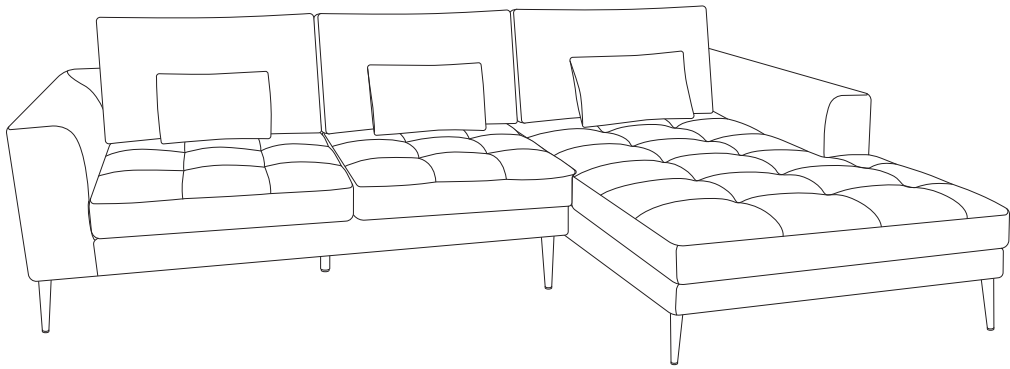


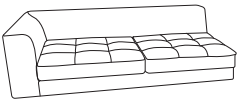



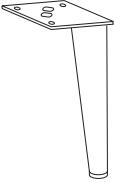
FLAM

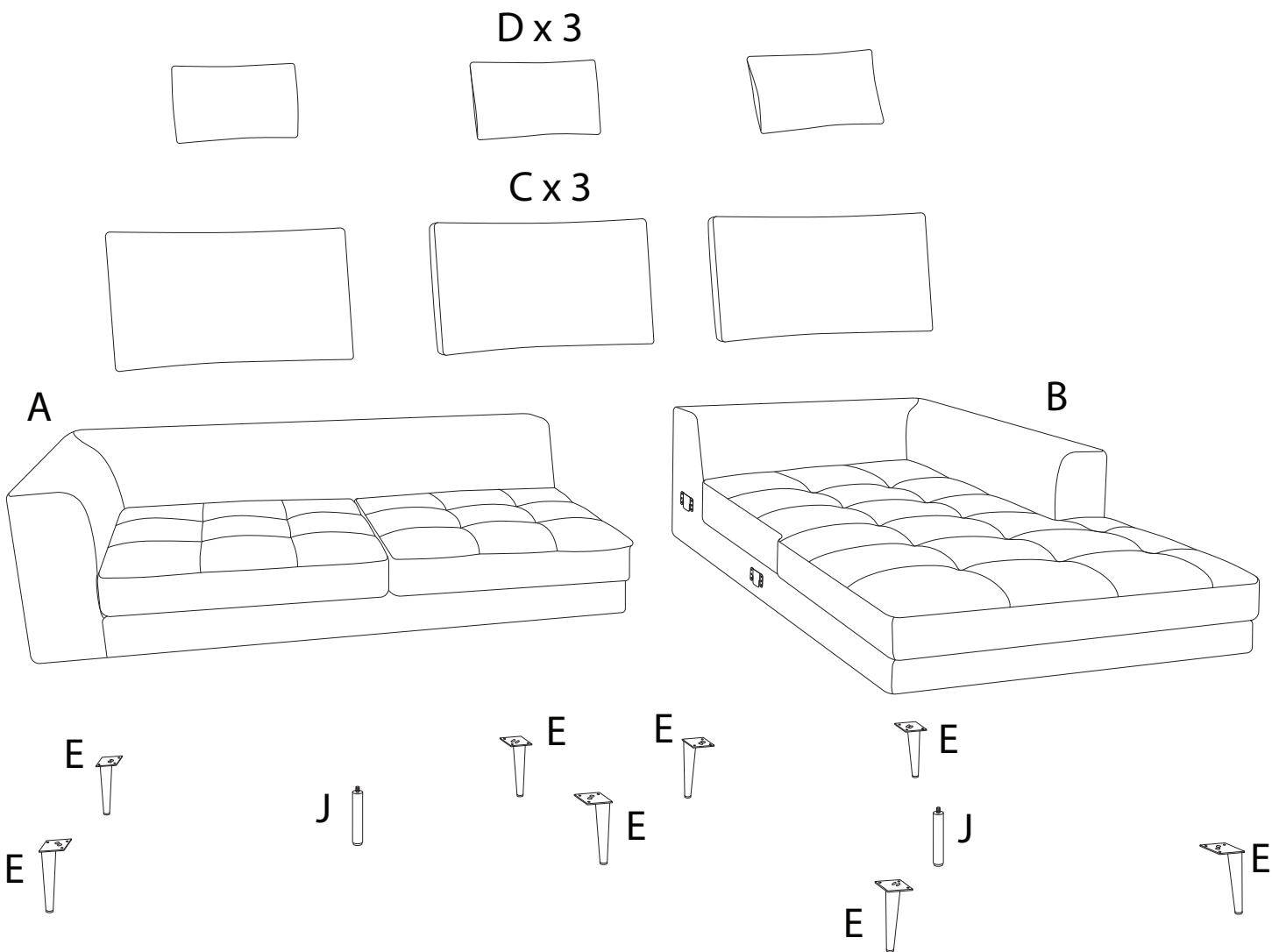


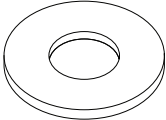
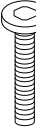
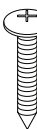




Assembly instructions for step 1/6:



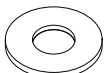
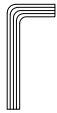
- Tools:** A circle containing a screwdriver and an Allen key. A power drill is shown with a diagonal line through it, indicating it should not be used.
- Warning:** A triangle with an exclamation mark.
- Time:** A clock icon with the text "30'" below it, indicating an estimated assembly time of 30 minutes.
- Personnel:** A stick figure icon with the number "2" below it, indicating that two people are required for assembly.

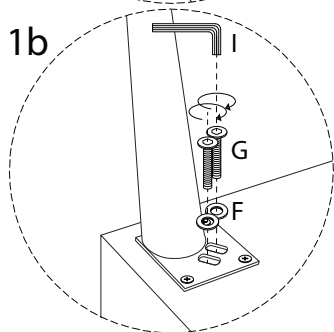
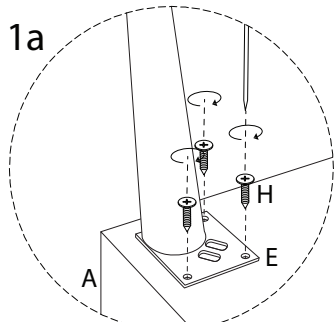
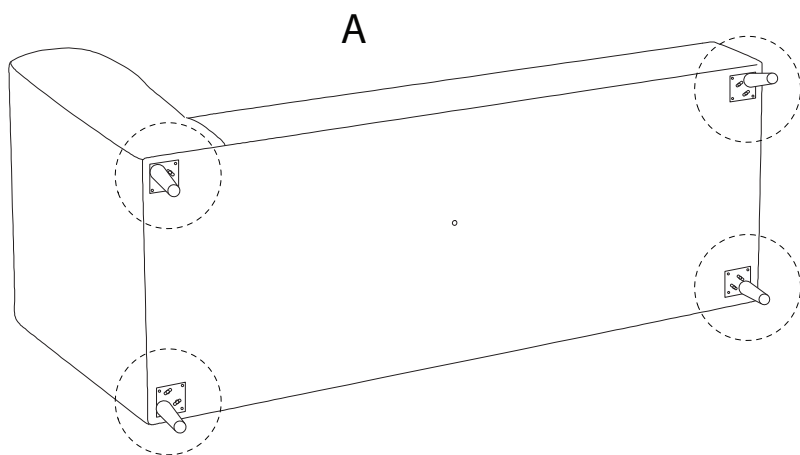
A	B	C	D	E
				
x 1	x 1	x 3	x 3	x 8




F	G	H	I	J
	 M6 x 30	 M4 x 25		
x 16	x 16	x 24	x 1	x 2

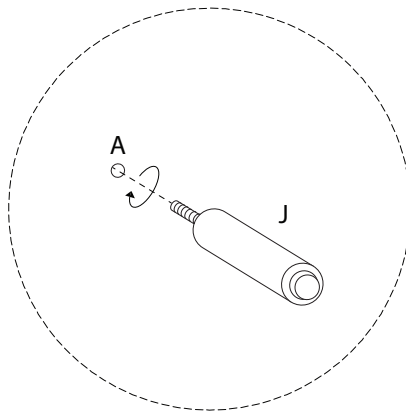
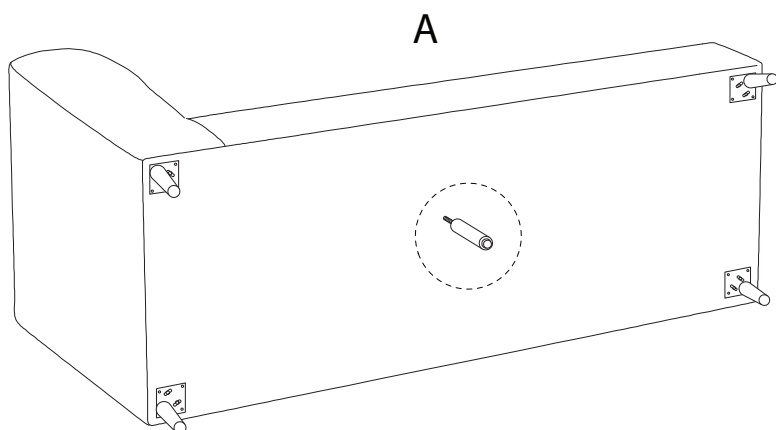
1

A  x 1	E  x 4	F  x 8	G M6 x 30 x 8	H M4 x 25 x 12	I  x 1
--	--	--	----------------------------------	-----------------------------------	--



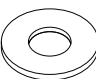
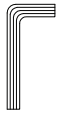


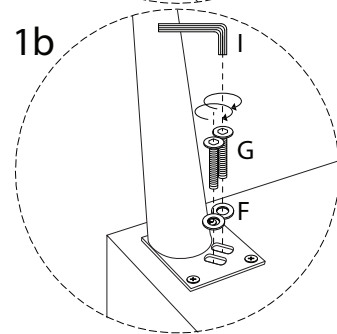
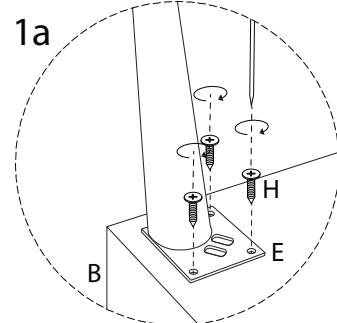
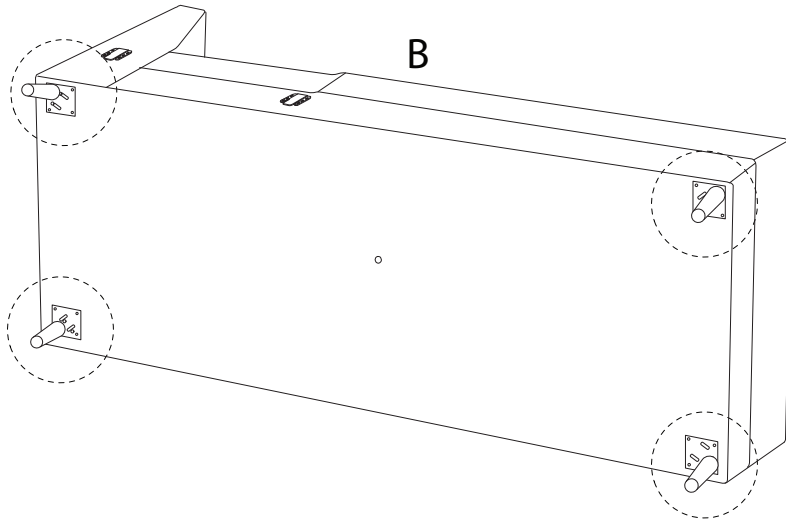
2

J  x 1
--




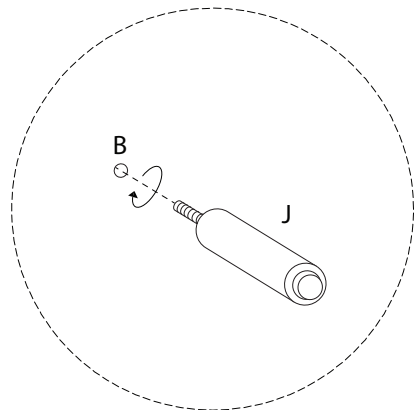
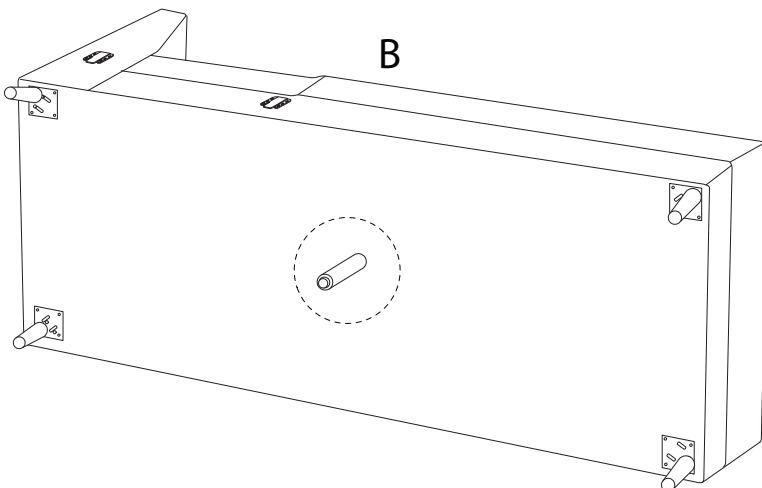
3

B  x 1	E  x 4	F  x 8	G M6 x 30 x 8	H M4 x 25 x 12	I  x 1
--	--	--	----------------------------------	-----------------------------------	--

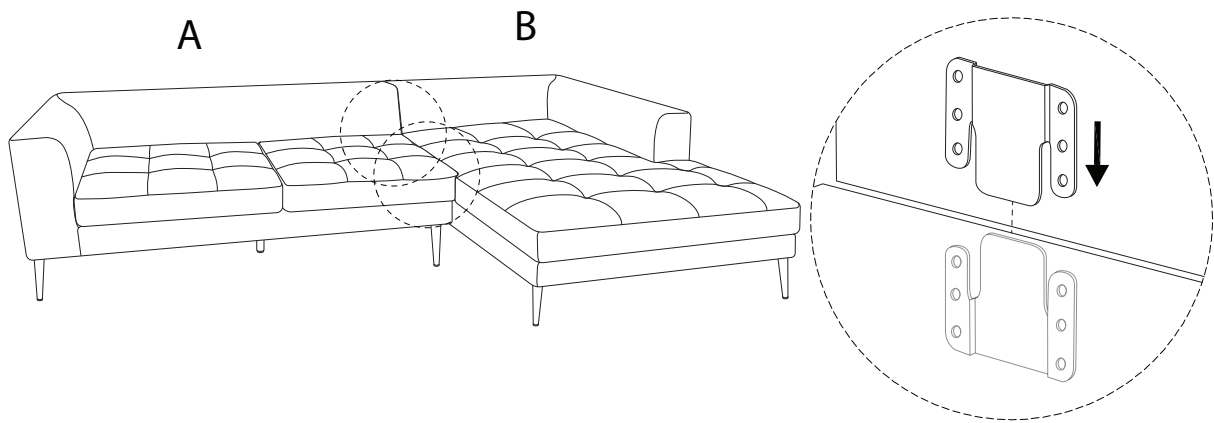


4

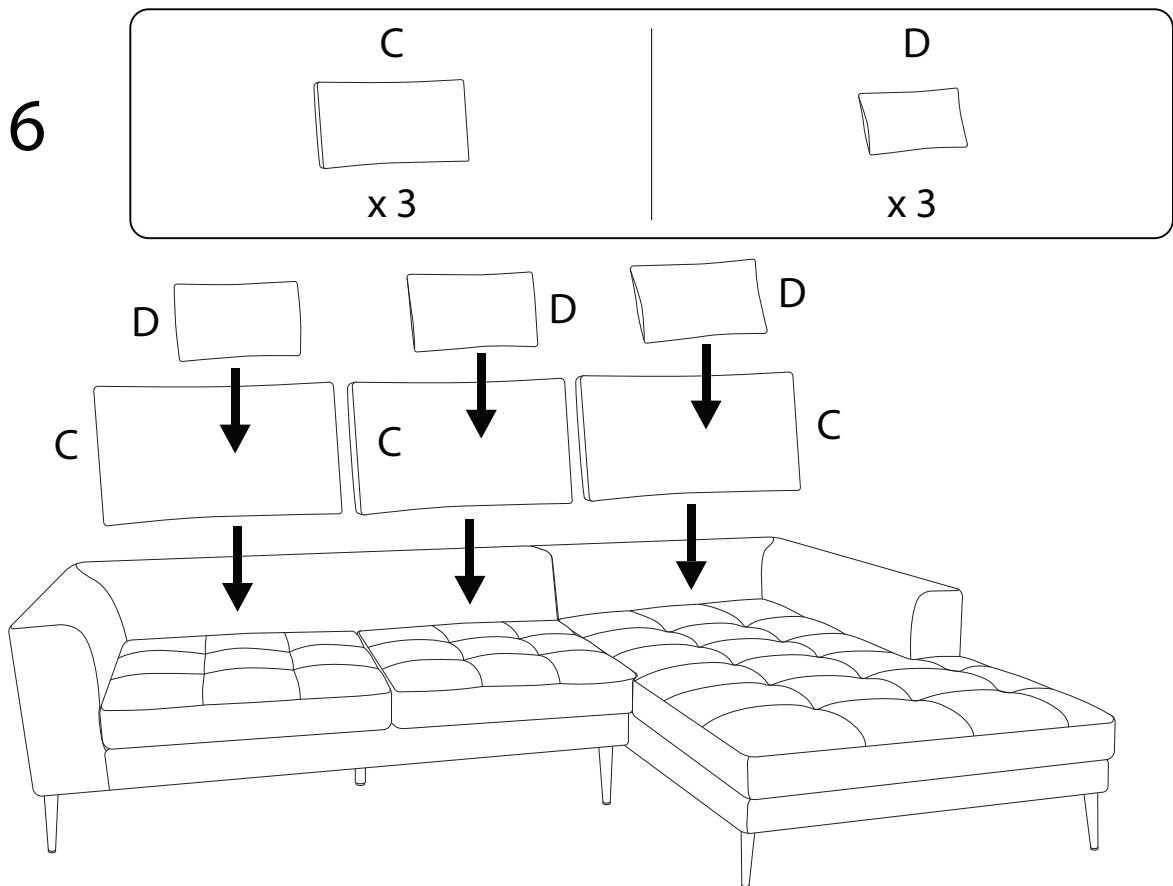
J  x 1
--



5



6



7

