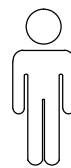
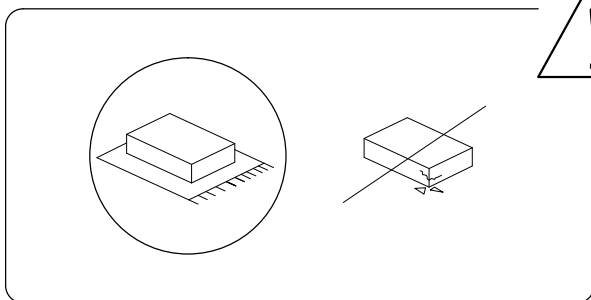
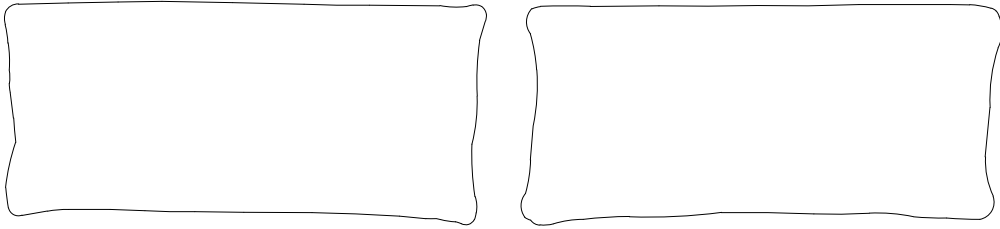
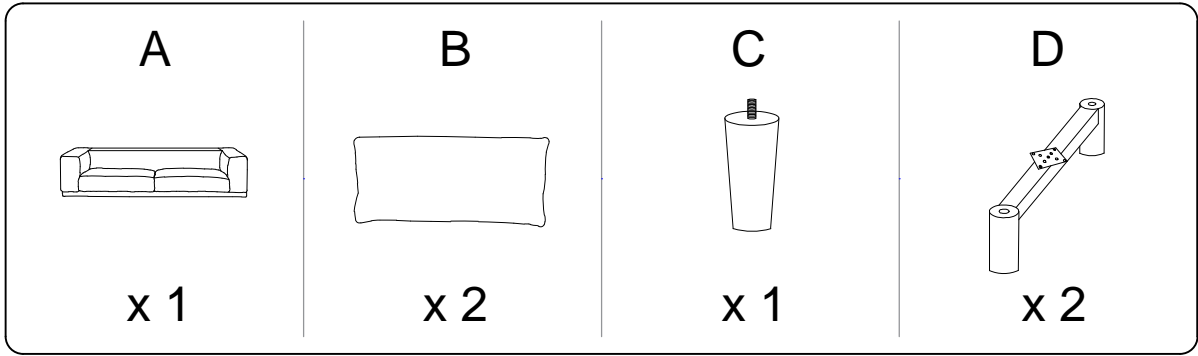


15'

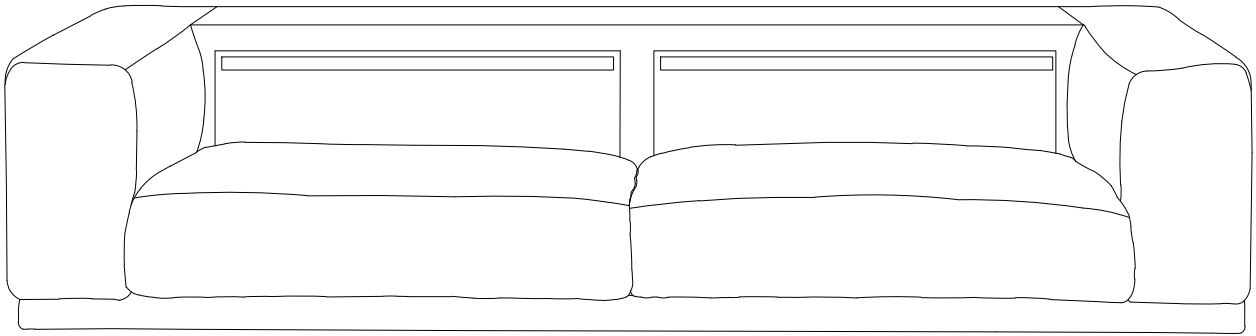


1

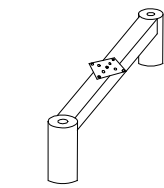
1/4



B x 2



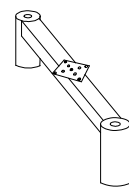
A x 1



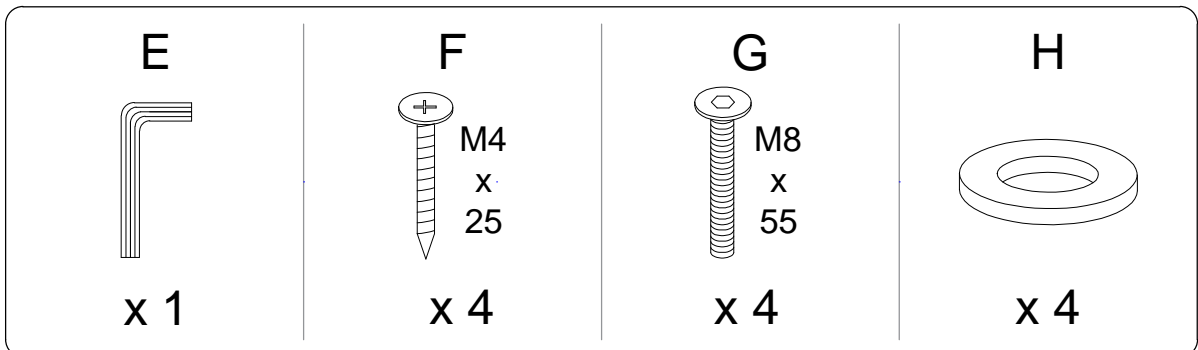
D x 1



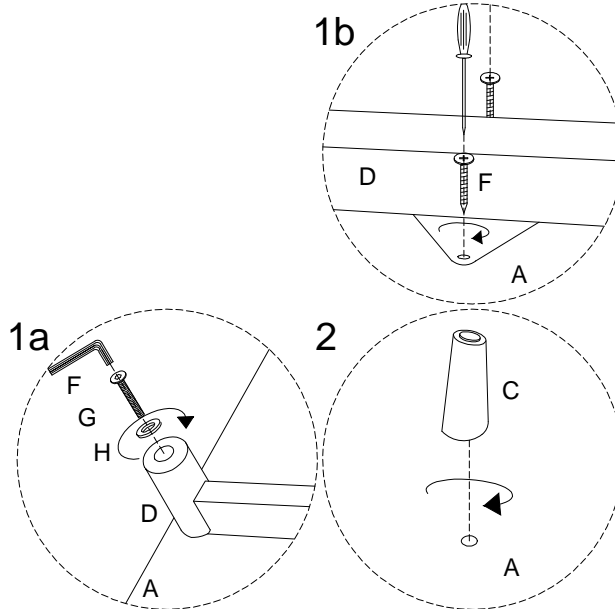
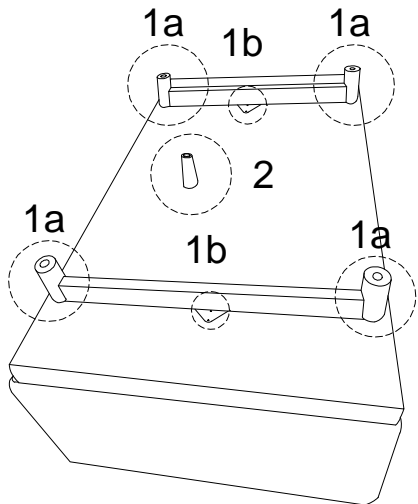
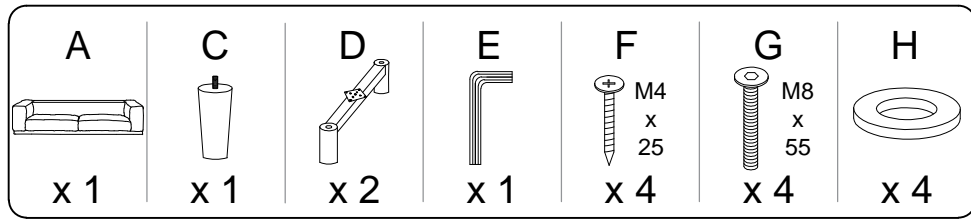
C x 1



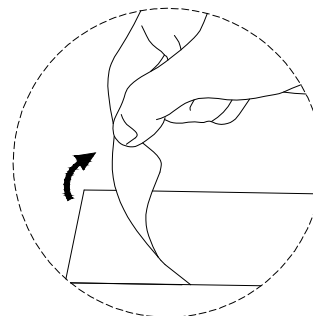
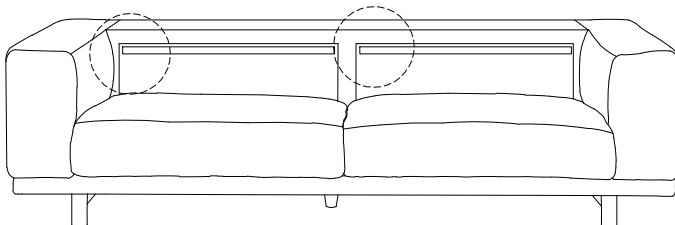
D x 1



1



2



3

