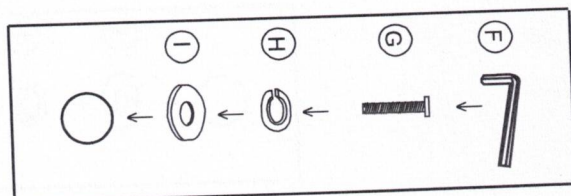
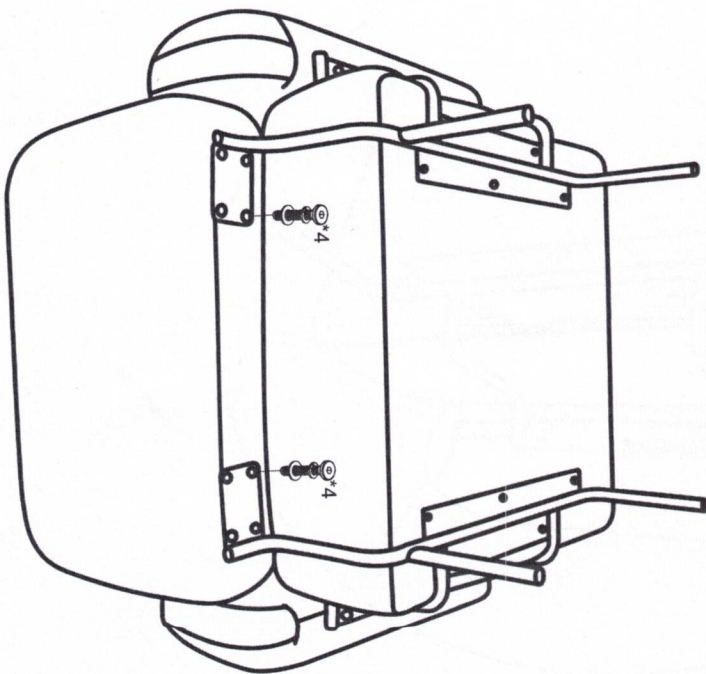
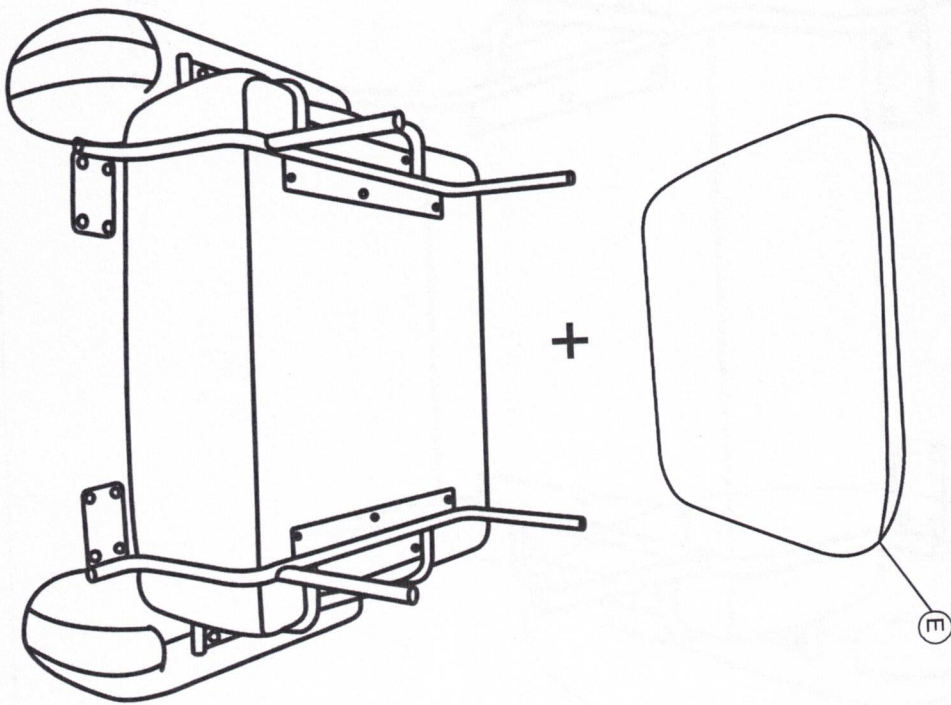
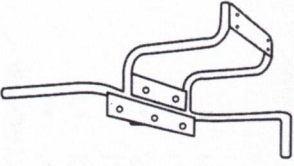
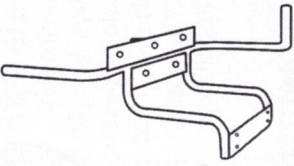
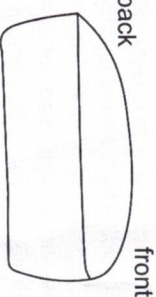
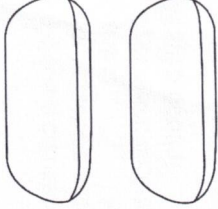
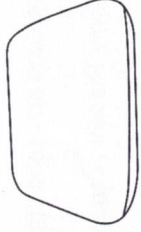

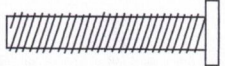
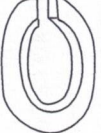

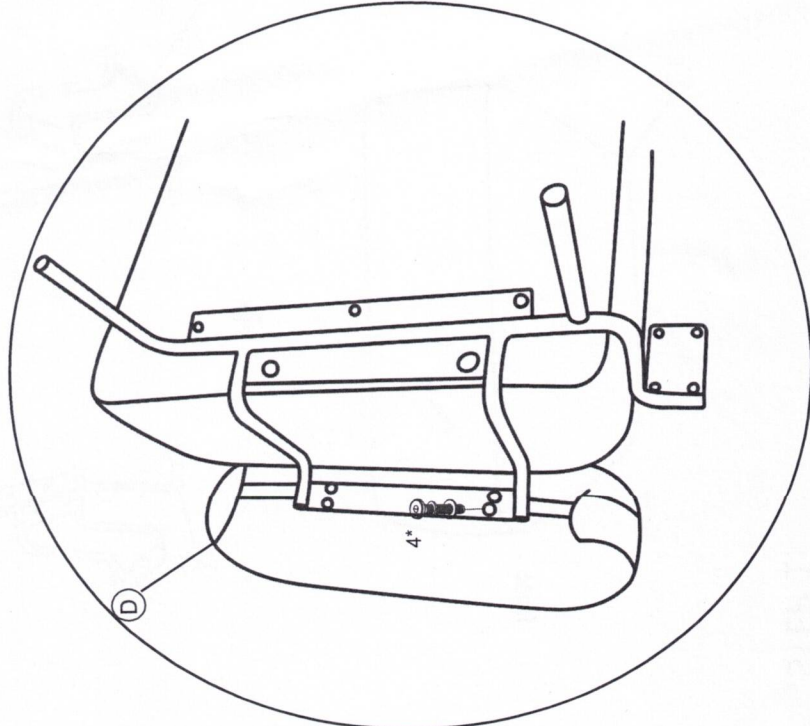
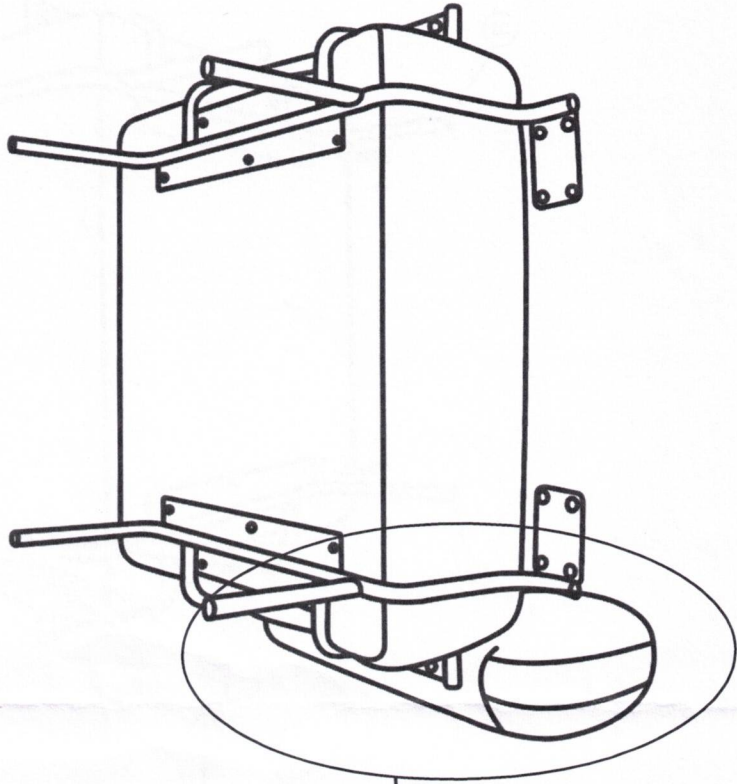
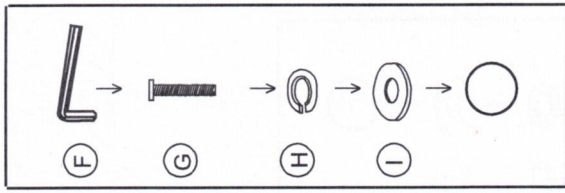


STEP 4:



A		B		C		D		E		F	
G*27		H*27		I*27							



STEP 2: