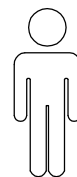
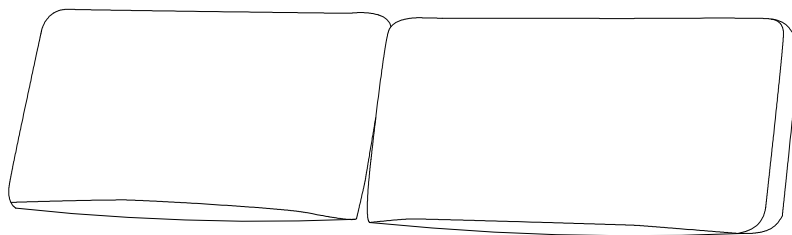
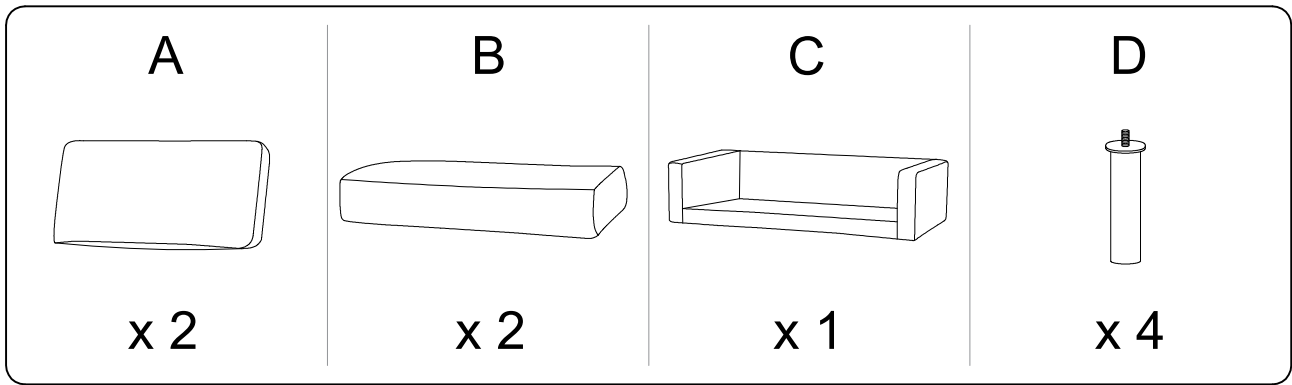


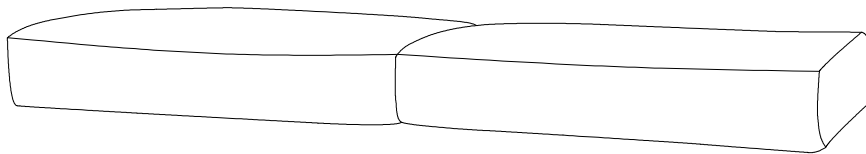
15'



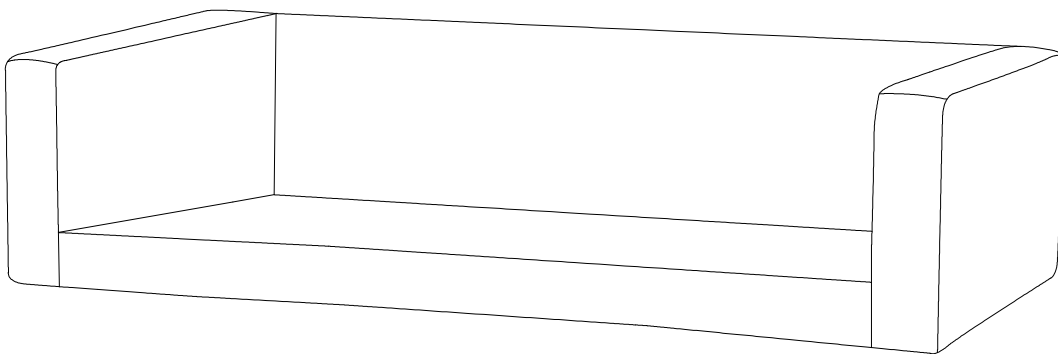
2



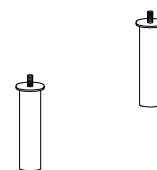
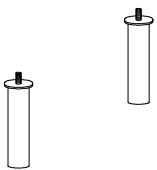
A x 2



B x 2

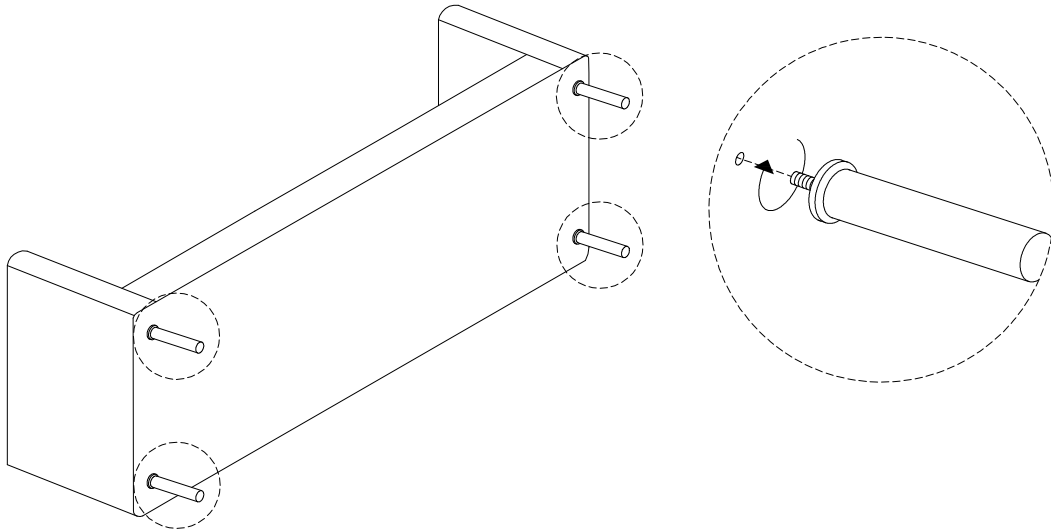
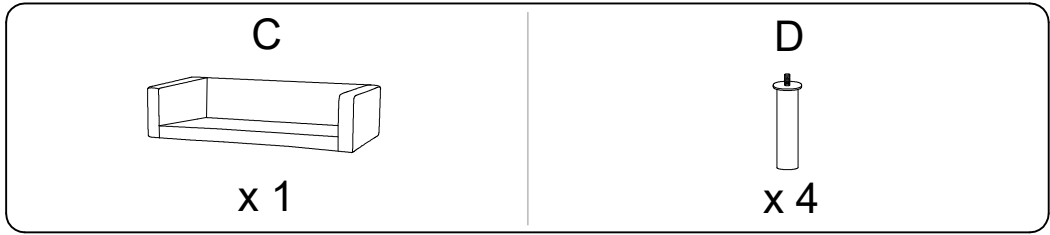


C



D x 4

1



2

