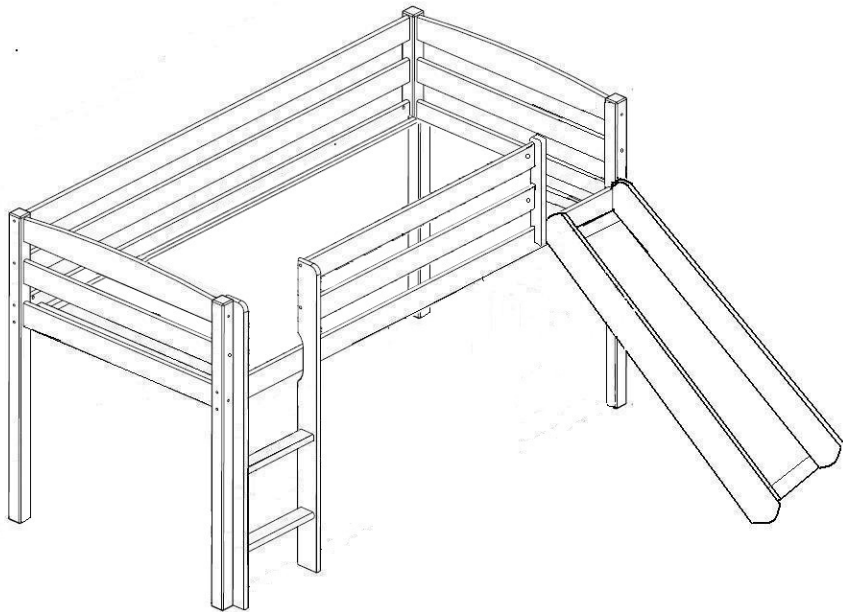
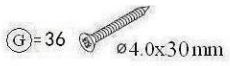
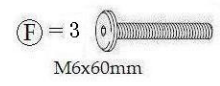
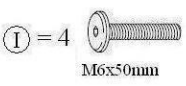
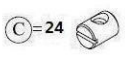
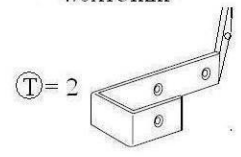
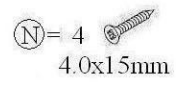
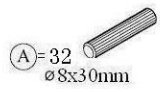
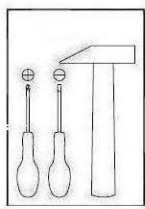
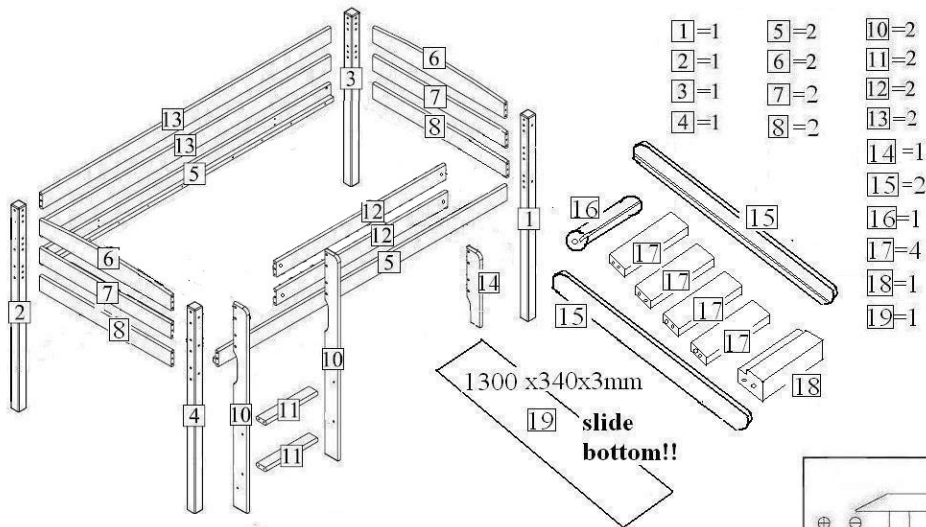
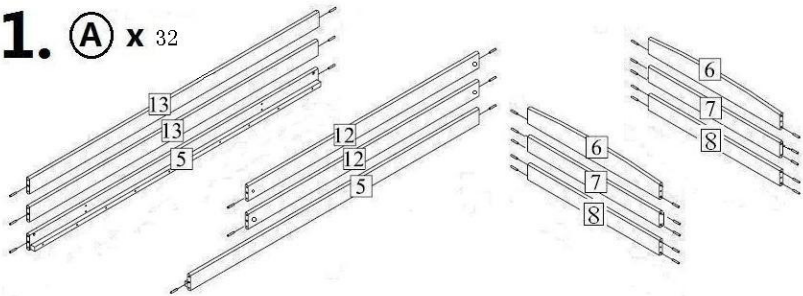


200*90cm

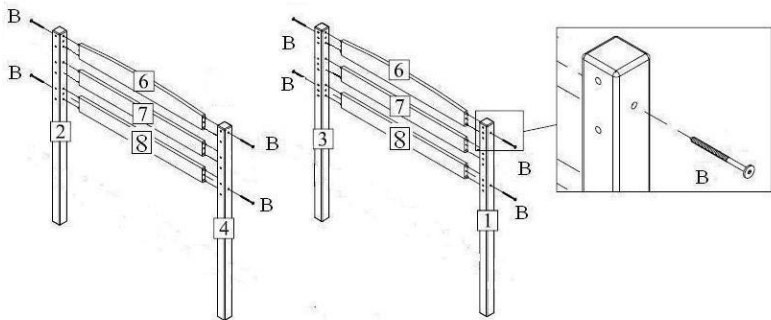




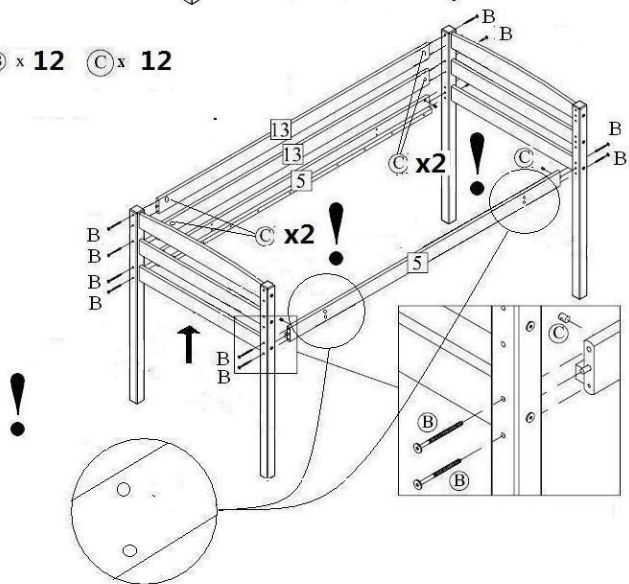
1. (A) x 32



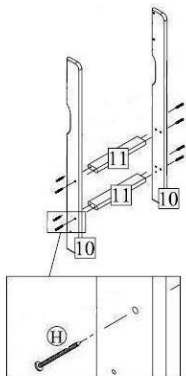
2. (B) x 8 (C) x 8



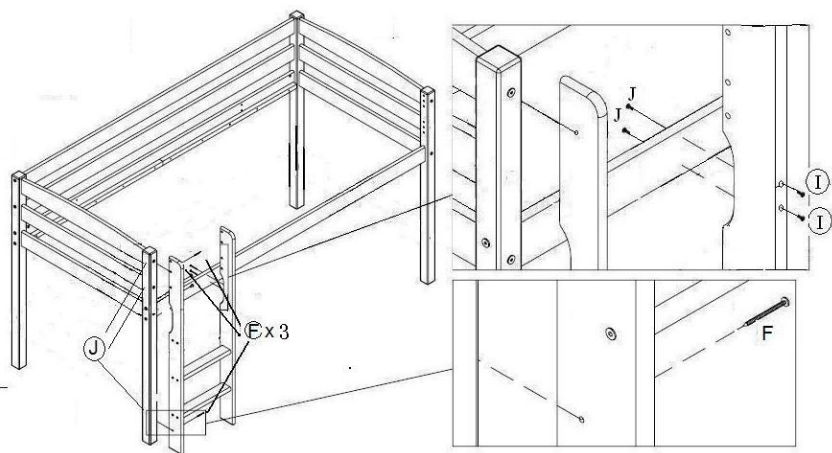
3. (B) x 12 (C) x 12



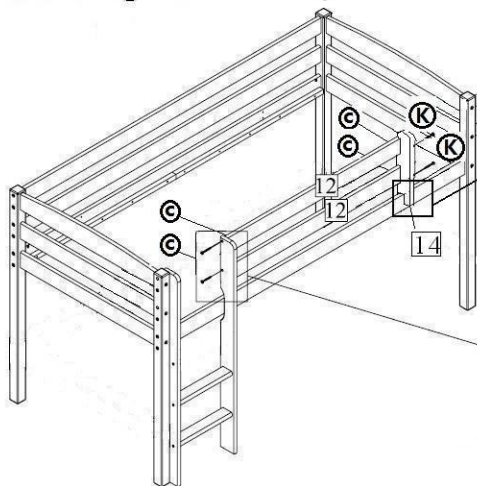
4. $\textcircled{\text{H}}$ x 8



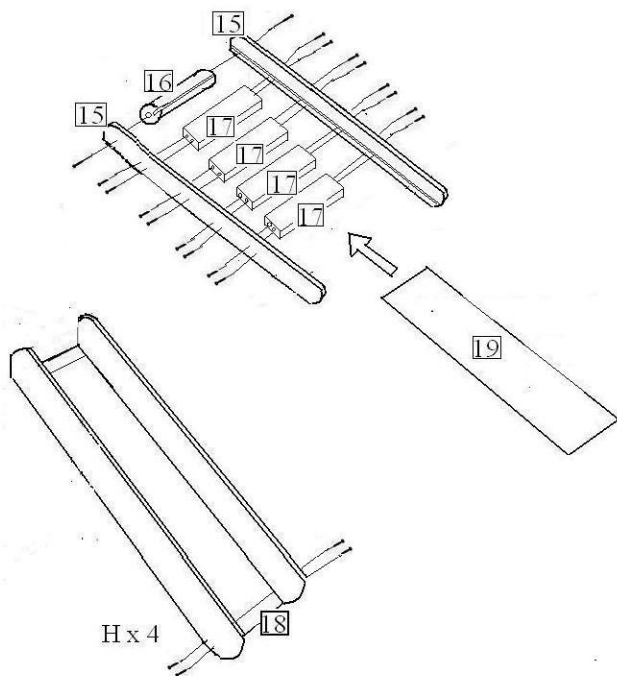
5. $\textcircled{\text{J}}$ x 5 $\textcircled{\text{F}}$ x 3 $\textcircled{\text{I}}$ x 2



6. $\textcircled{K} \times 4$ $\textcircled{C} \times 4$ $\textcircled{I} \times 2$ $\textcircled{J} \times 2$

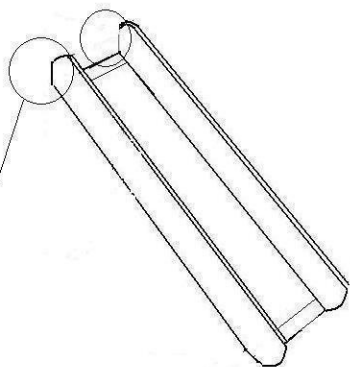
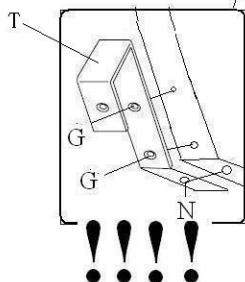


7. $\textcircled{H} \times 22$

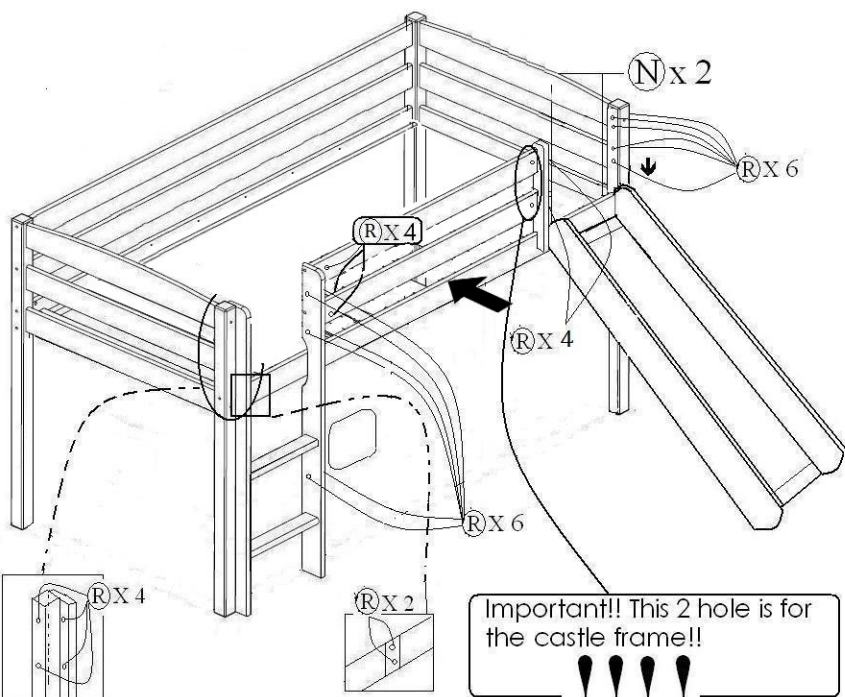


8. $\text{G} \times 4$ $\text{T} \times 2$ $\text{N} \times 2$

Important!! Pay attention to this hook assembly! G for upper assembly, and N for low



9. $\text{N} \times 2$ $\text{R} \times 26$ $\text{G} \times 32$



Important!! This 2 hole is for the castle frame!!