

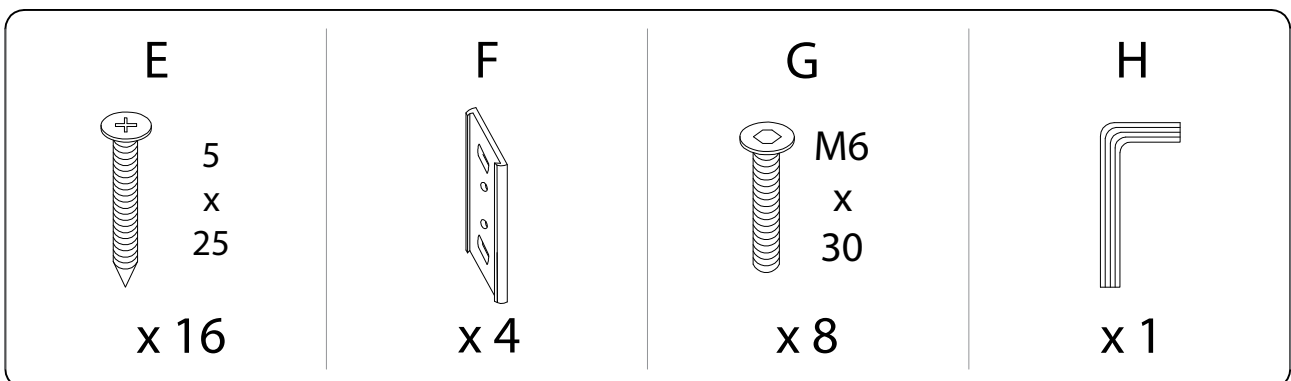
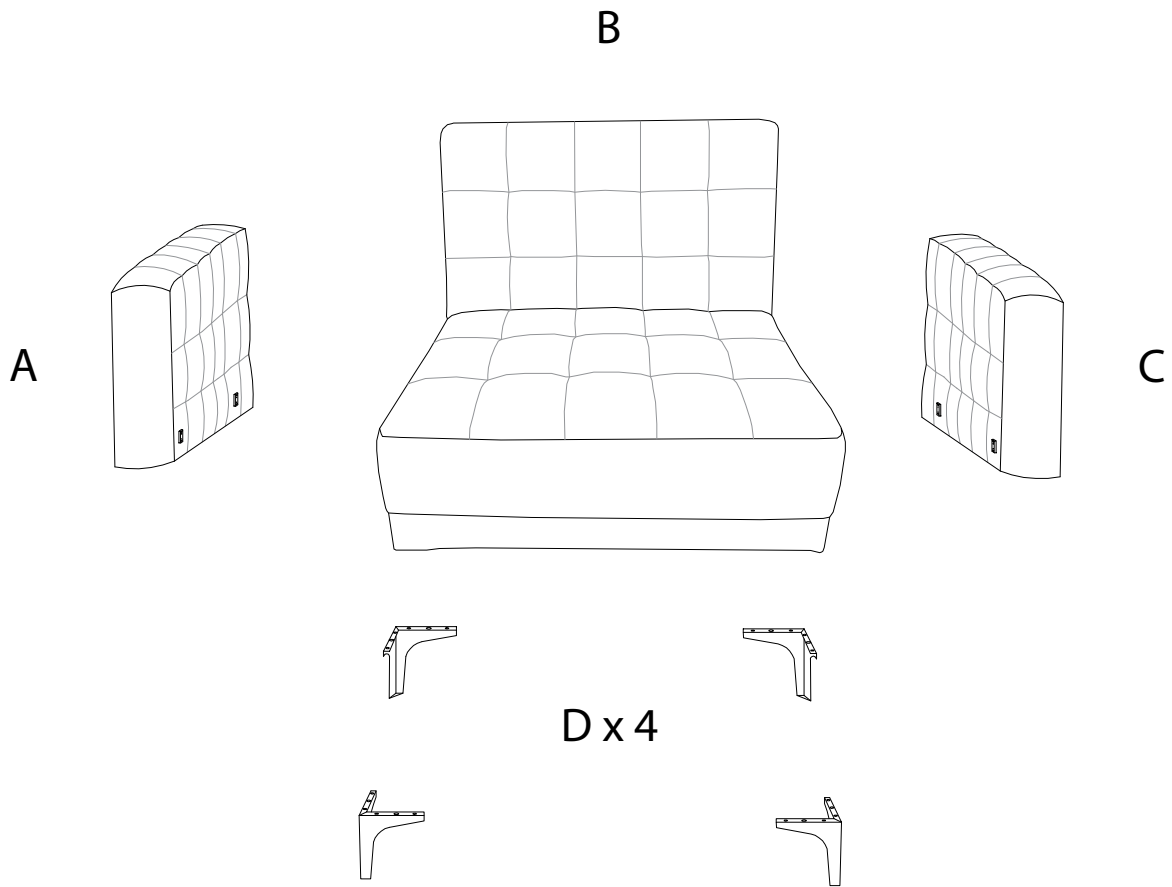
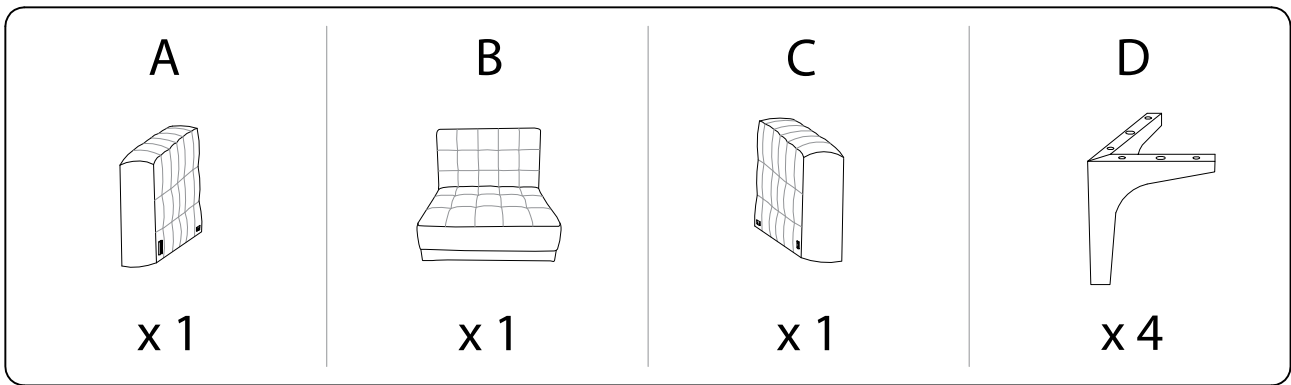
Assembly instructions for the armchair, including tool requirements, safety warnings, and personnel needs.

**Tools:** An icon in a circle shows an Allen key and a screwdriver. A power drill is shown with a diagonal line through it, indicating it is not required.

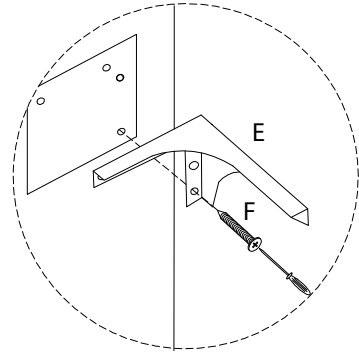
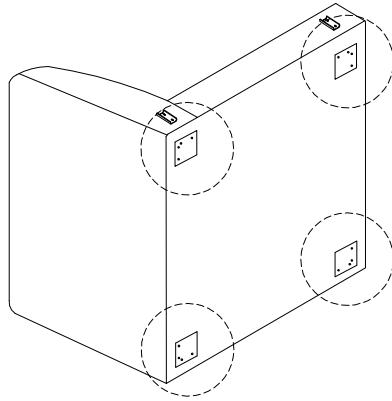
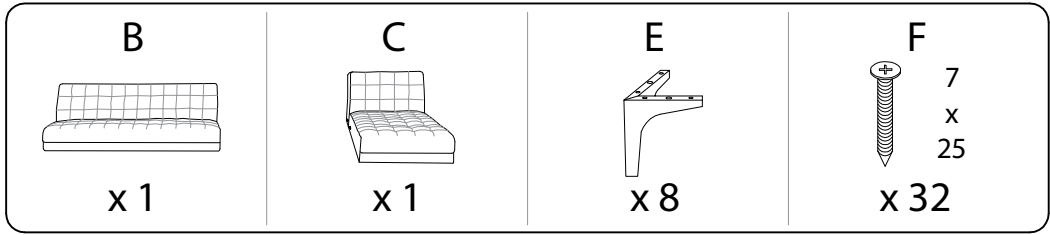
**Warnings:** Two warning triangles with exclamation marks are present. The first is connected to the tool icons. The second is connected to the floor icon.

**Time:** A clock icon is shown with the number 30' below it, indicating an estimated assembly time of 30 minutes.

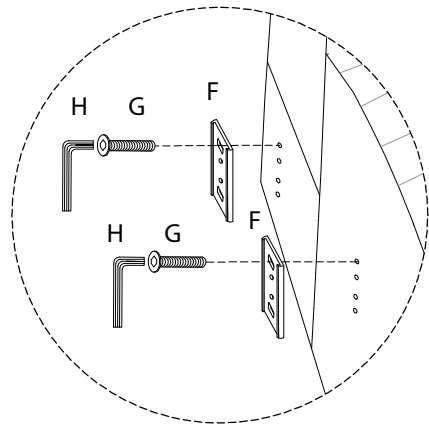
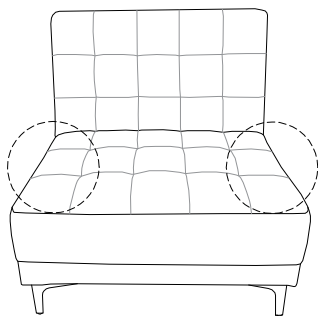
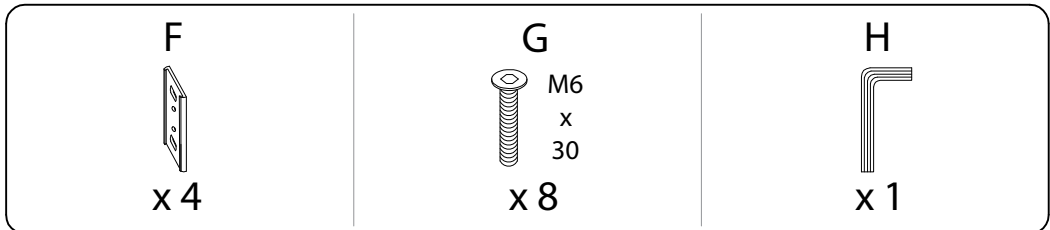
**Personnel:** An icon of a person is shown with the number 2 below it, indicating that two people are required for assembly.



1



2



3

A



x 1

B



x 1

