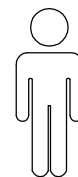
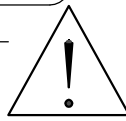
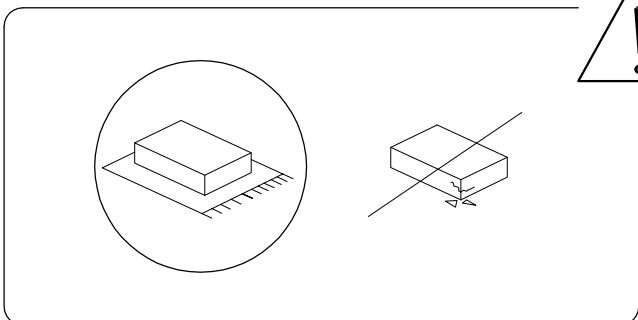

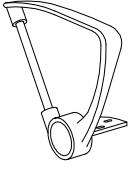

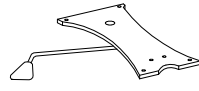


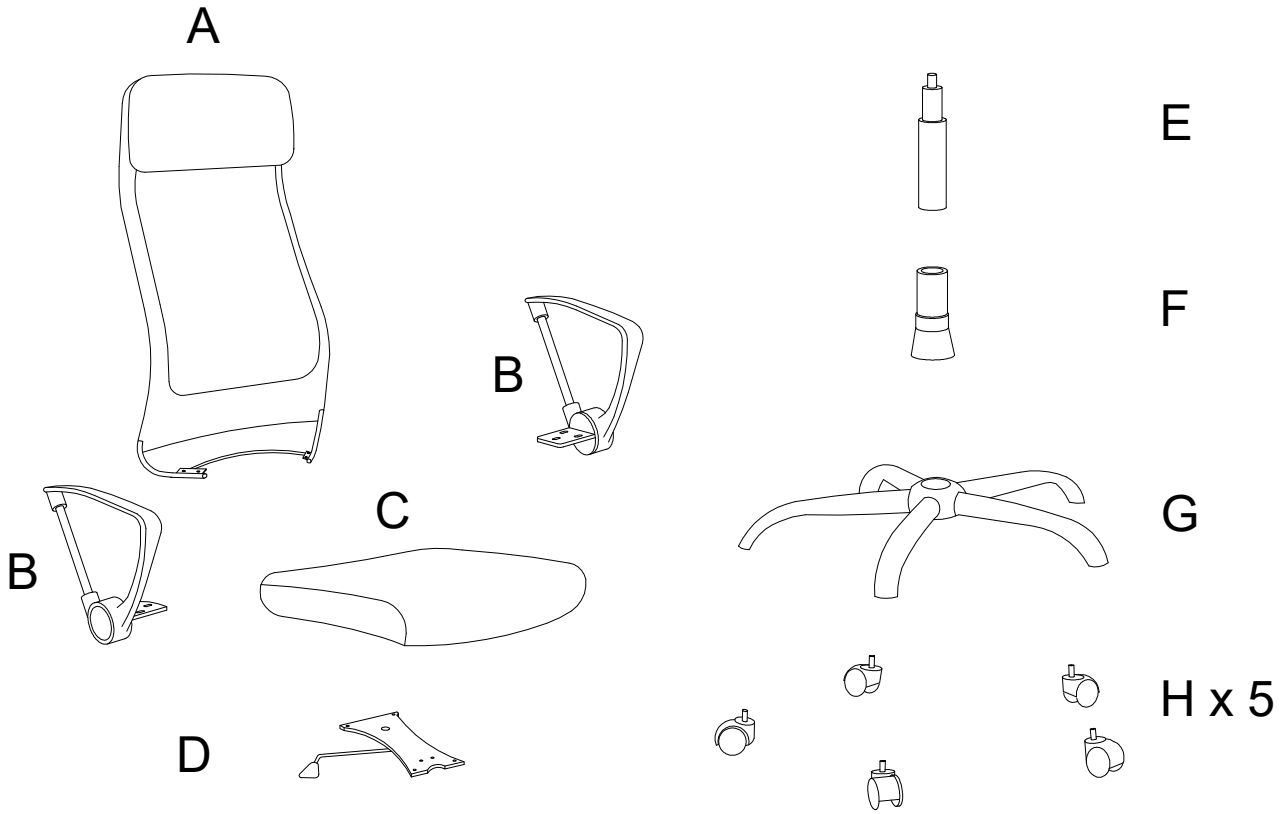
30'


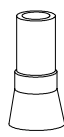

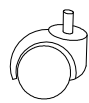

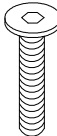
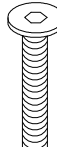
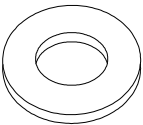
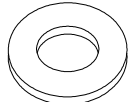
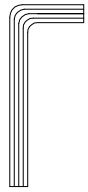


1

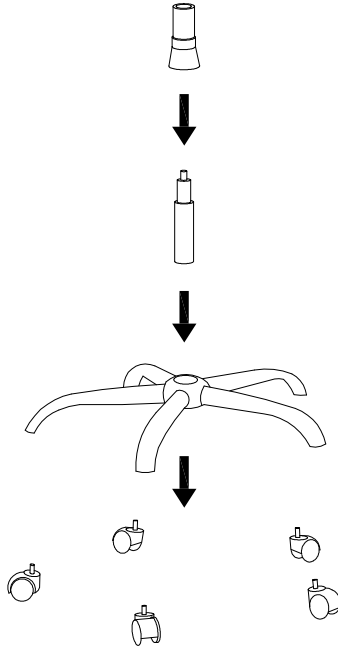
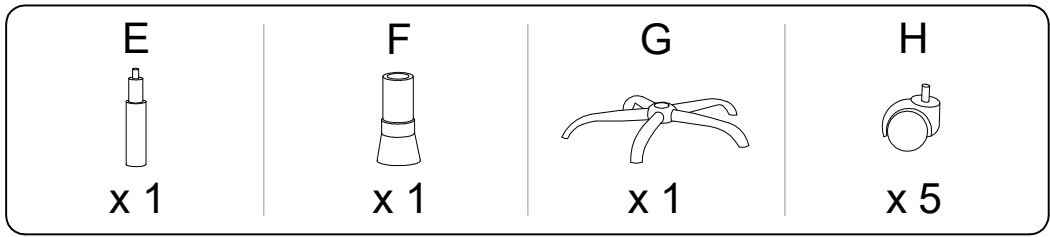
1/5

A  x 1	B  x 2	C  x 1	D  x 1
---	---	--	---

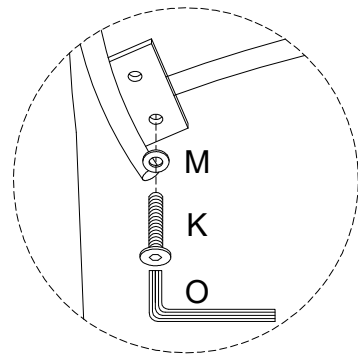
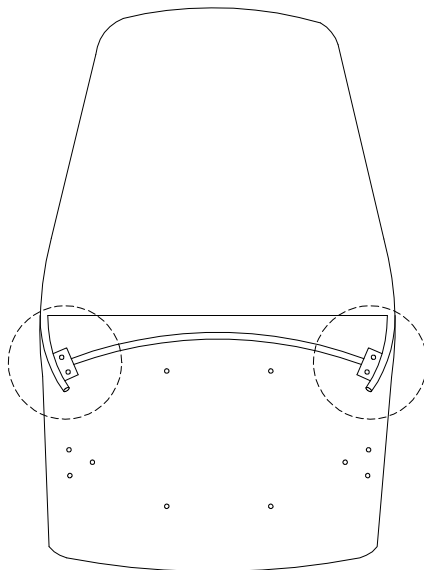
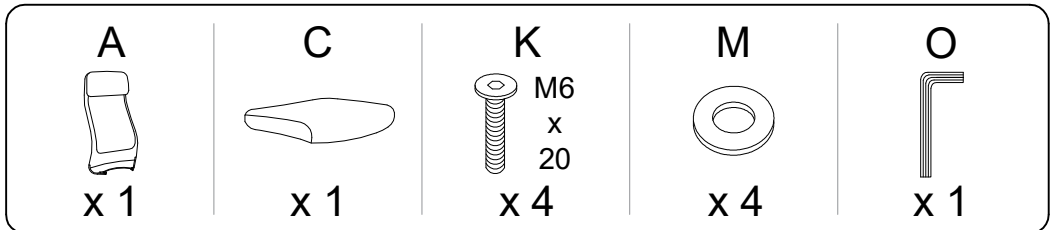


E  x 1	F  x 1	G  x 1	H  x 5	I  x 2
K  x 8	L  x 6	M  x 8	N  x 6	O  x 1

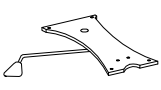
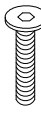
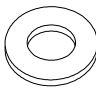
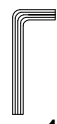
1

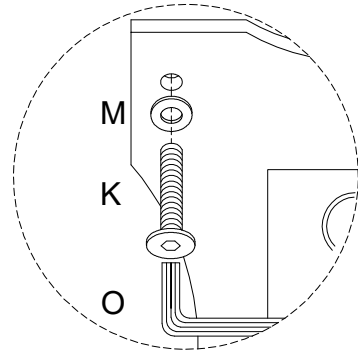
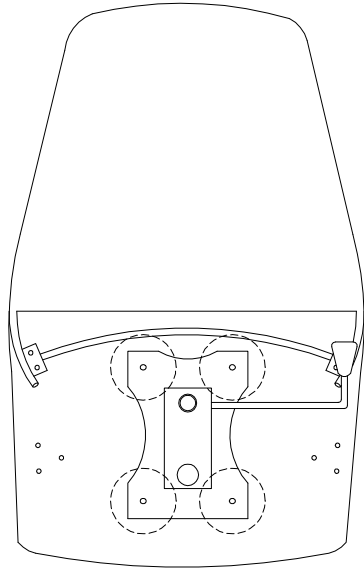


2





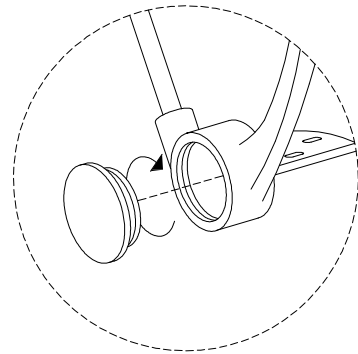
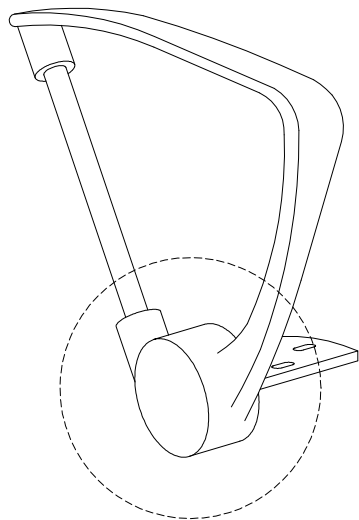
3

<p>D</p>  <p>x 1</p>	<p>K</p>  <p>M6 x 20</p> <p>x 4</p>	<p>M</p>  <p>x 4</p>	<p>O</p>  <p>x 1</p>
--	---	---	--



4

<p>B</p>  <p>x 2</p>	<p>I</p>  <p>x 2</p>
--	--

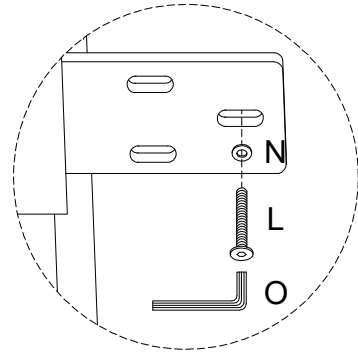
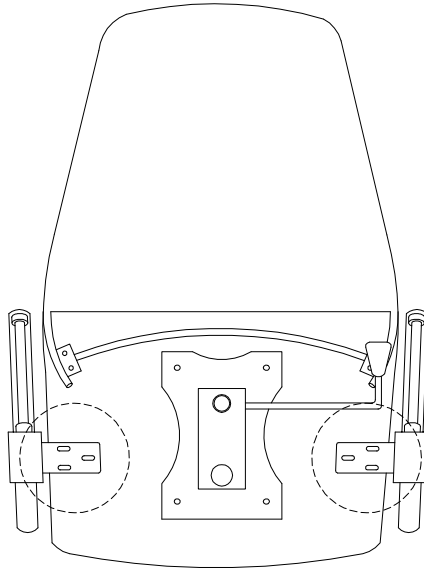


5

L
M6
x
25
x 6

N
x 6

O
x 1



6

