
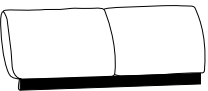

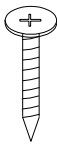

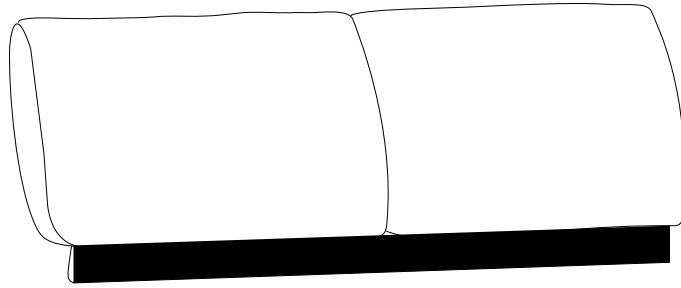
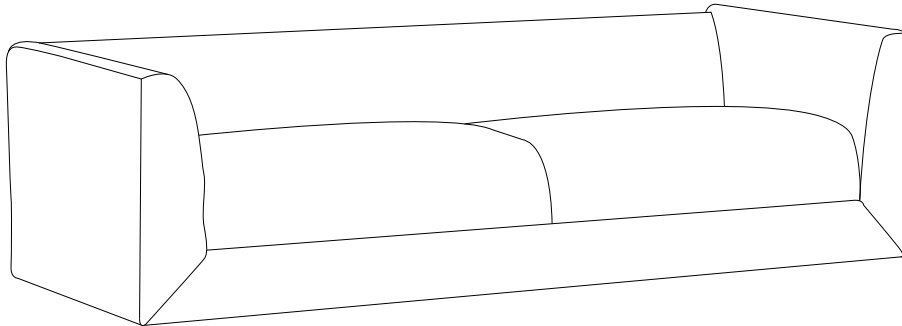
		
		1

A	B	C	D	E
			 M5 x 25	
x 1	x 1	x 4	x 16	x 1

B x 1



A x 1



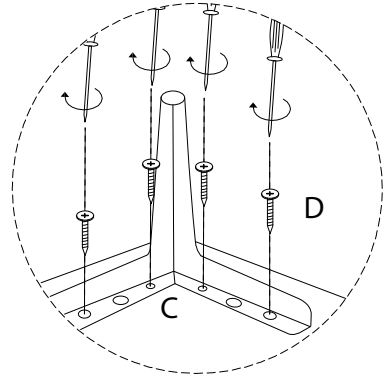
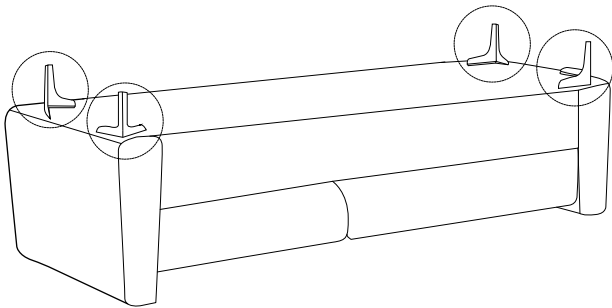
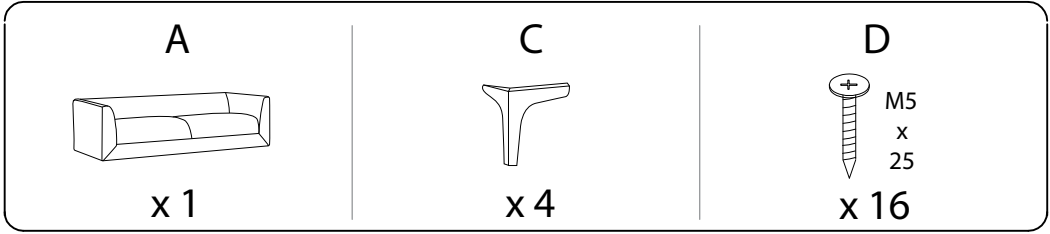
E x 1



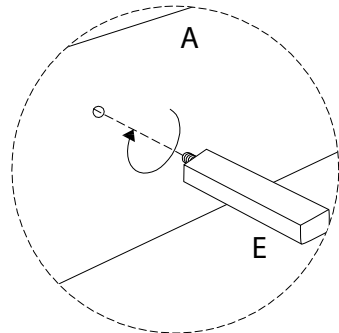
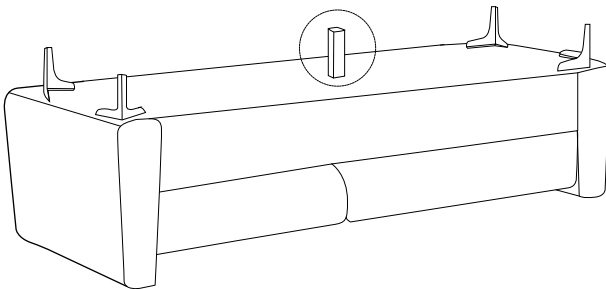
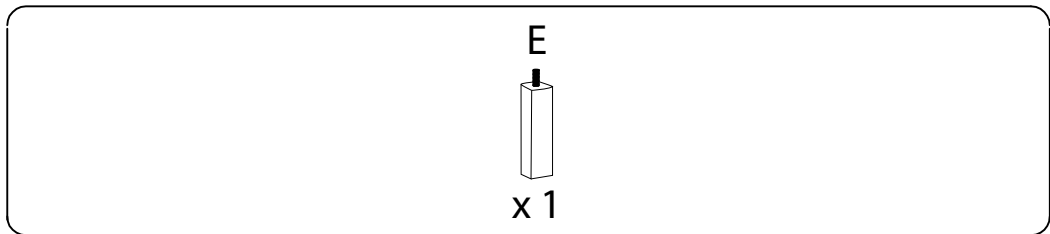
C x 4



1



2



3

B



x 1

